

US00D515025S

(12) **United States Design Patent** (10) **Patent No.:** **US D515,025 S**
Yokota (45) **Date of Patent:** **** Feb. 14, 2006**

(54) **BATTERY**
(75) **Inventor:** **Hiroaki Yokota, Tokyo (JP)**
(73) **Assignee:** **Sony Corporation, Tokyo (JP)**
(**) **Term:** **14 Years**

(21) **Appl. No.:** **29/207,604**
(22) **Filed:** **Jun. 17, 2004**
(51) **LOC (8) Cl.** **13-02**
(52) **U.S. Cl.** **D13/103**
(58) **Field of Classification Search** **D13/102-106,**
D13/110, 118-119, 184; 429/96-100, 163,
429/176

See application file for complete search history.

(56) **References Cited**

U.S. PATENT DOCUMENTS

D243,616 S	*	3/1977	Kaye	D13/103
D329,634 S	*	9/1992	Mizusugi et al.	D13/103
D346,580 S	*	5/1994	Tattari	D13/103
D346,581 S	*	5/1994	Tattari	D13/103
D406,561 S	*	3/1999	Goto	D13/103
D415,466 S	*	10/1999	Kawa	D13/103
D421,244 S	*	2/2000	Goto	D13/103
D425,015 S	*	5/2000	Iwamoto	D13/103
D431,227 S	*	9/2000	Ogasawara	D13/103
D431,808 S	*	10/2000	Ogasawara	D13/103
D448,003 S	*	9/2001	Ogasawara	D13/103
6,376,122 B1	*	4/2002	Cheeseman	429/99
D457,857 S	*	5/2002	Ogasawara	D13/103
D461,163 S	*	8/2002	Hirano et al.	D13/103
D476,949 S	*	7/2003	Wada	D13/103
D477,275 S	*	7/2003	Wada	D13/103
D479,191 S	*	9/2003	Peress et al.	D13/102
D485,530 S		1/2004	Ogasawara		

OTHER PUBLICATIONS

Web page "PCGA-BP2S/Hi" www.yodobashi.com, 1 sheet, Yodobashi Camera (Apr. 2004).
Web page "PCGA-BP4S" www.yodobashi.com, 1 sheet, Yodobashi Camera (Apr. 2004).

Web page "IBM, 02k6847" www.yodobashi.com, 1 sheet, Yodobashi Camera (Apr. 2004).
Web page "PCGA-BP4V" http://www.ecat.sony.co.jp/vaio/acc/acc.cfm?pd=11072, 1 sheet, Sony (Apr. 2004).
Web page "PCGA-BP3T" http://www.ecat.sony.co.jp/vaio/acc/acc.cfm?pd=13872, 1 sheet, Sony (Apr. 2004).

* cited by examiner

Primary Examiner—Alan P. Douglas
Assistant Examiner—Rosemary Tarcza
(74) *Attorney, Agent, or Firm*—Rader Fishman & Grauer PLLC

(57) **CLAIM**

The ornamental design for a battery, as shown.

DESCRIPTION

FIG. 1 is a perspective view of a first embodiment of a battery showing my new design;
FIG. 2 is a front elevational view thereof;
FIG. 3 is a rear elevational view thereof;
FIG. 4 is a left side elevational view thereof;
FIG. 5 is a right side elevational view thereof;
FIG. 6 is a top plan view thereof;
FIG. 7 is a bottom plan view thereof;
FIG. 8 is a perspective view of a second embodiment of a battery showing my new design;
FIG. 9 is a front elevational view thereof;
FIG. 10 is a rear elevational view thereof;
FIG. 11 is a left side elevational view thereof;
FIG. 12 is a right side elevational view thereof;
FIG. 13 is a top plan view thereof;
FIG. 14 is a bottom plan view thereof;
FIG. 15 is a perspective view of a third embodiment of a battery showing my new design;
FIG. 16 is a front elevational view thereof;
FIG. 17 is a rear elevational view thereof;
FIG. 18 is a left side elevational view thereof;
FIG. 19 is a right side elevational view thereof;
FIG. 20 is a top plan view thereof; and,
FIG. 21 is a bottom plan view thereof.

1 Claim, 12 Drawing Sheets

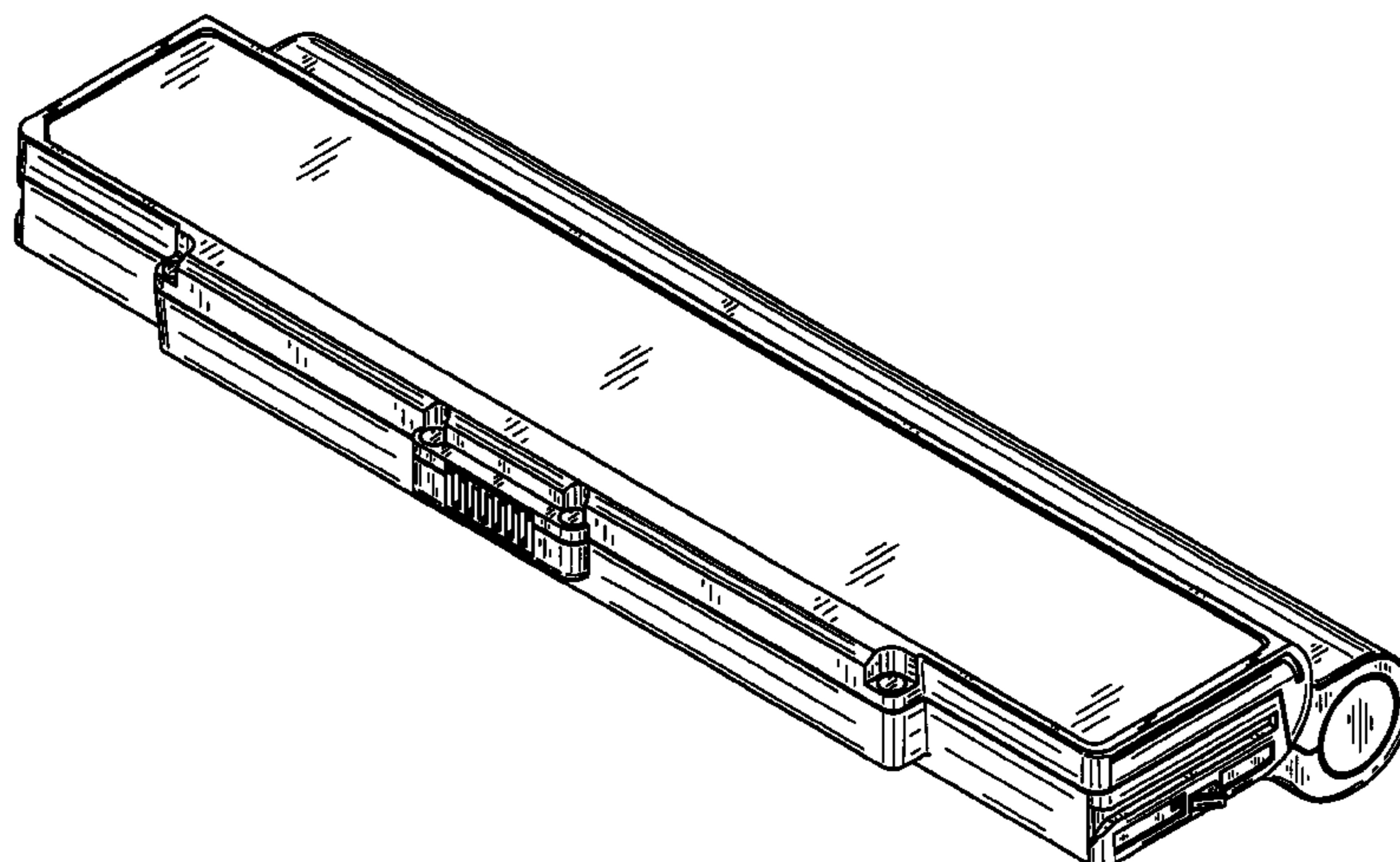


Fig. 1

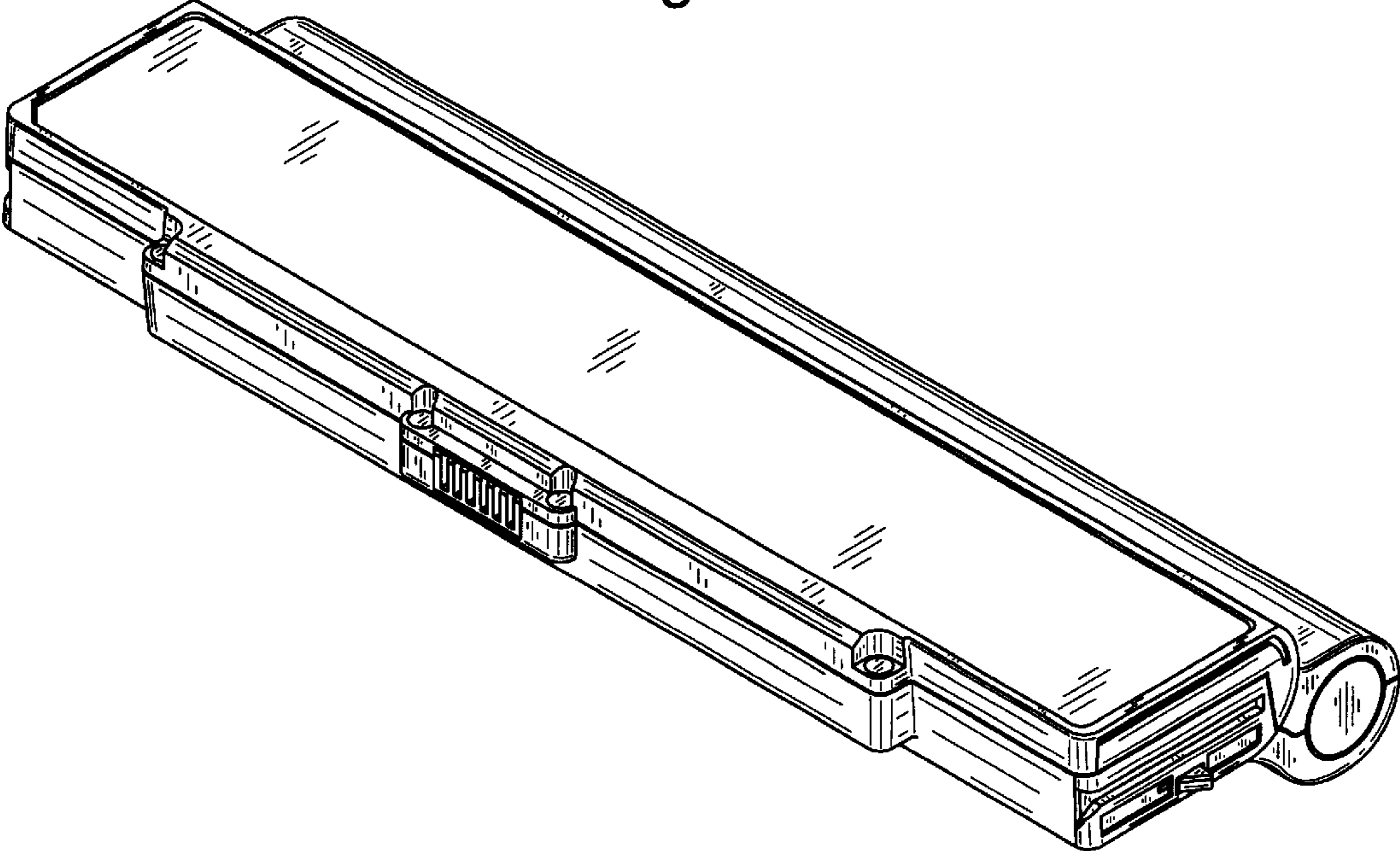


Fig.2

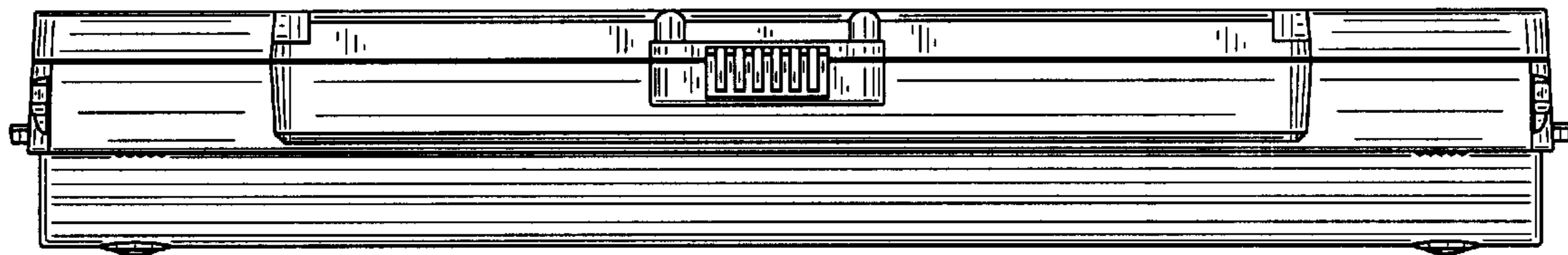


Fig.3

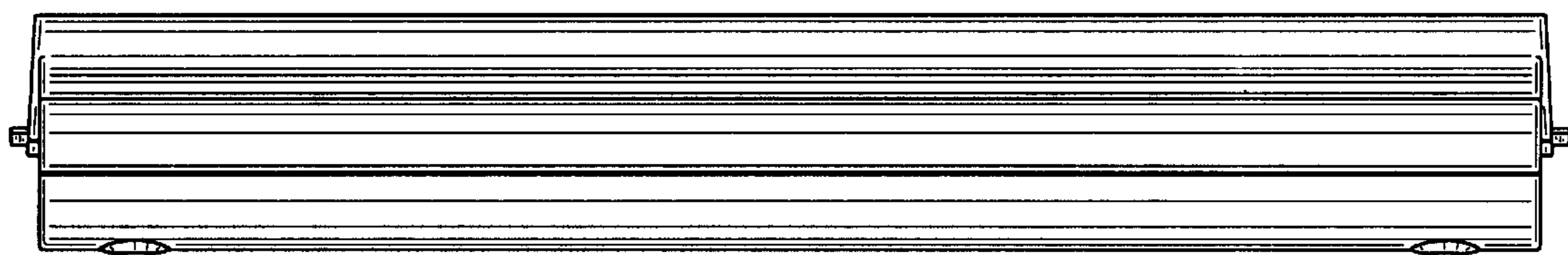


Fig.4

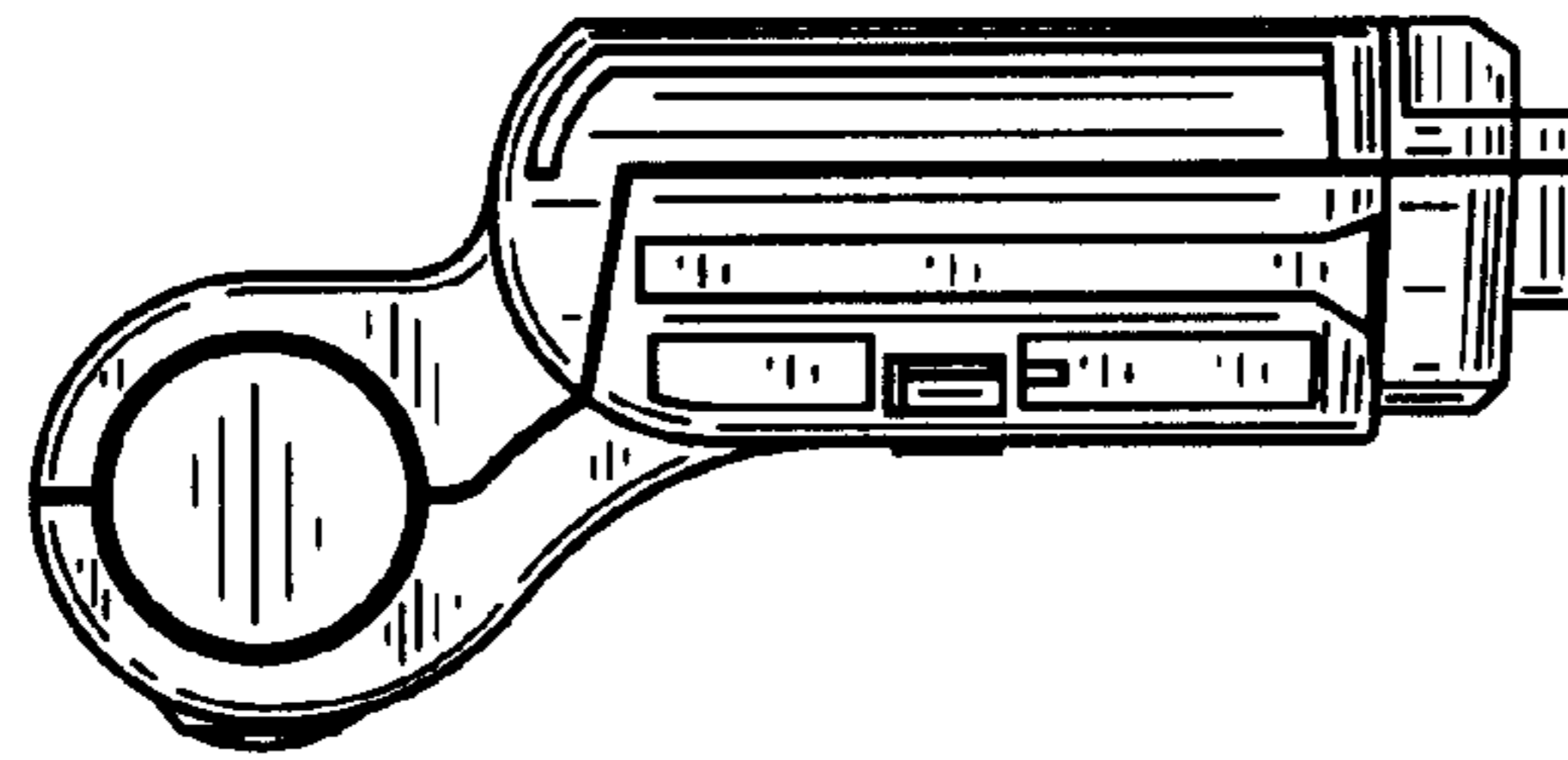


Fig.5

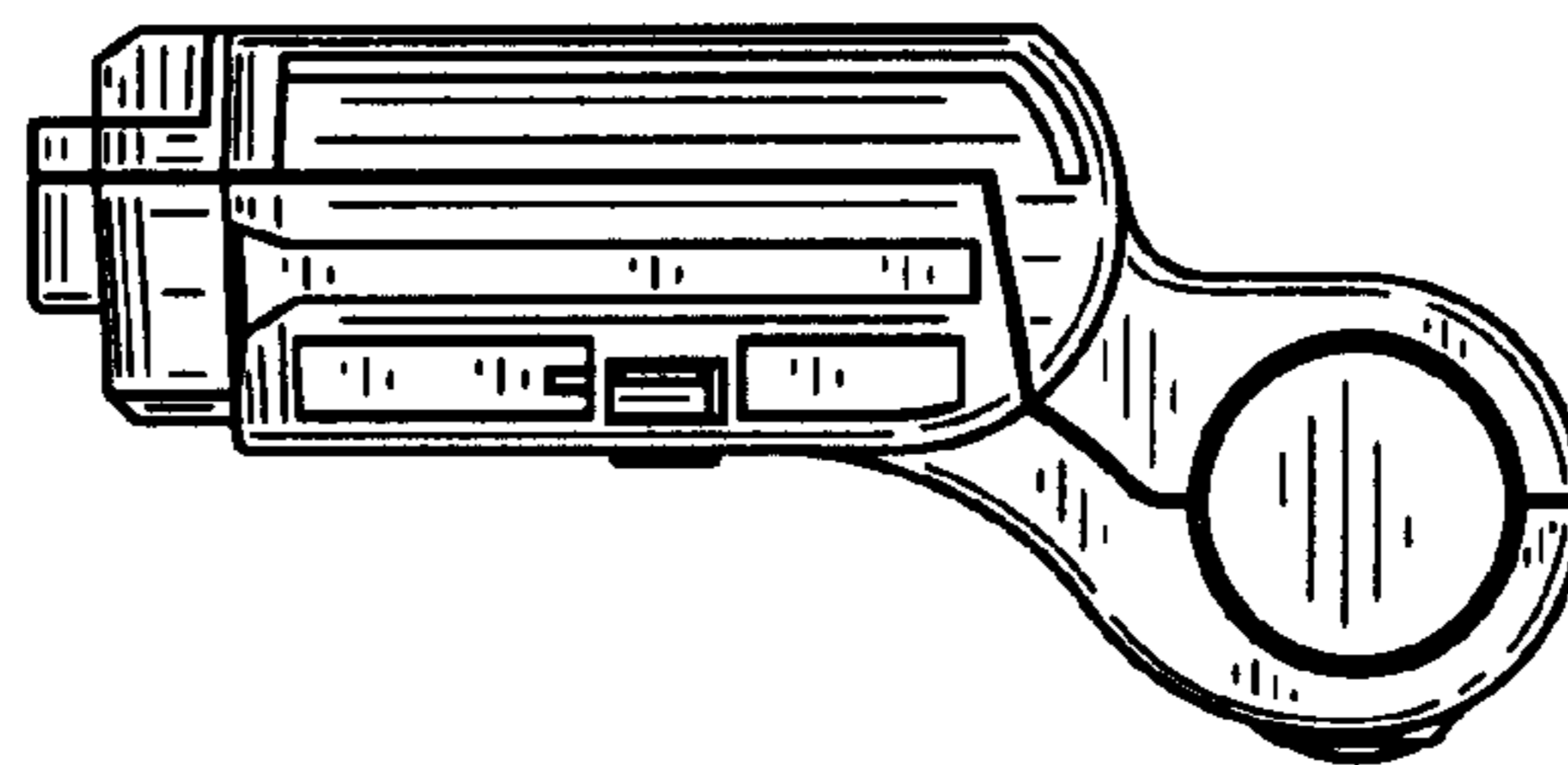


Fig.6

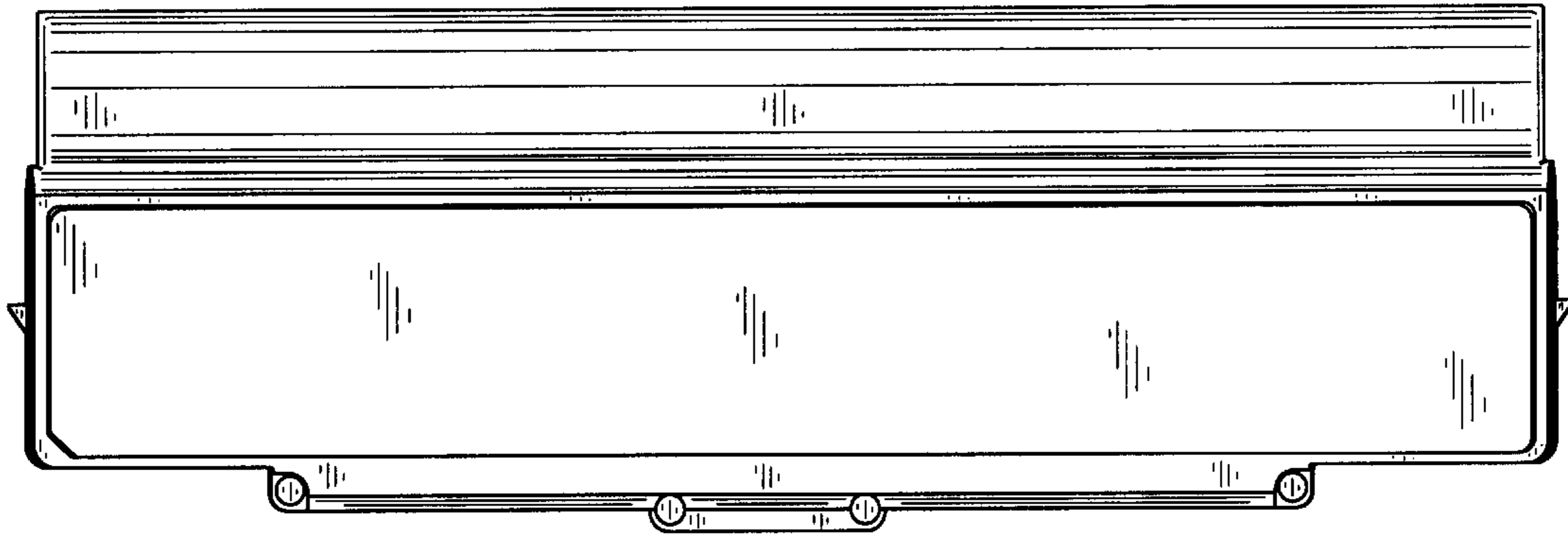


Fig.7

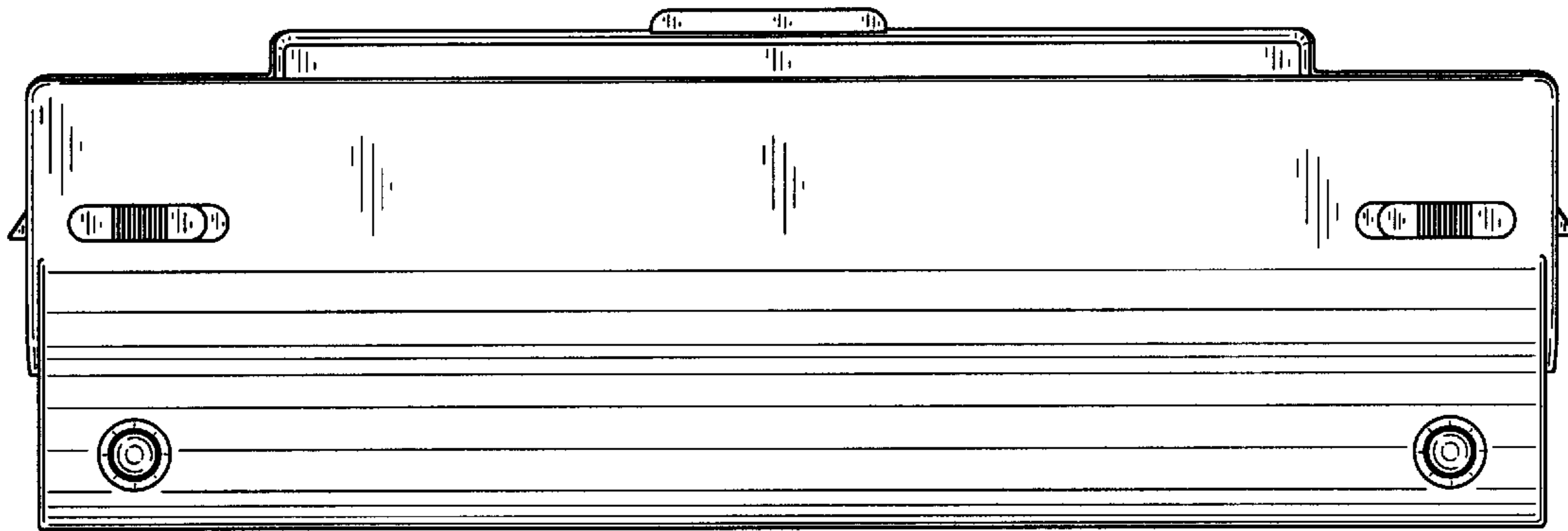


Fig.8

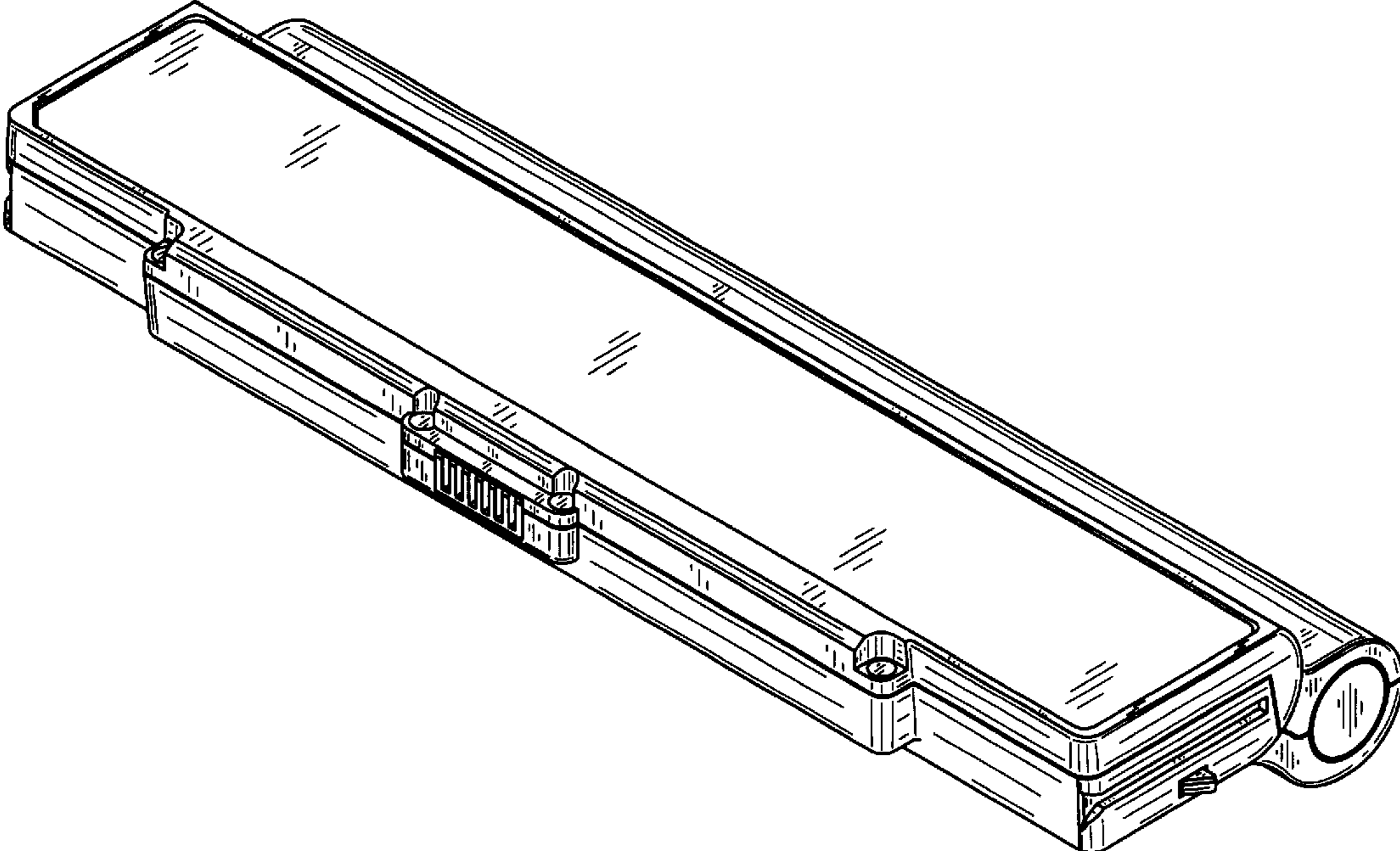


Fig.9

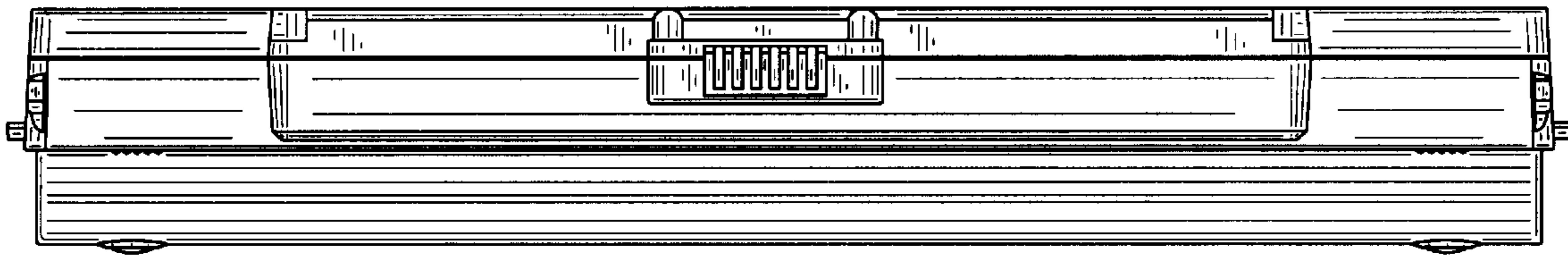


Fig.10

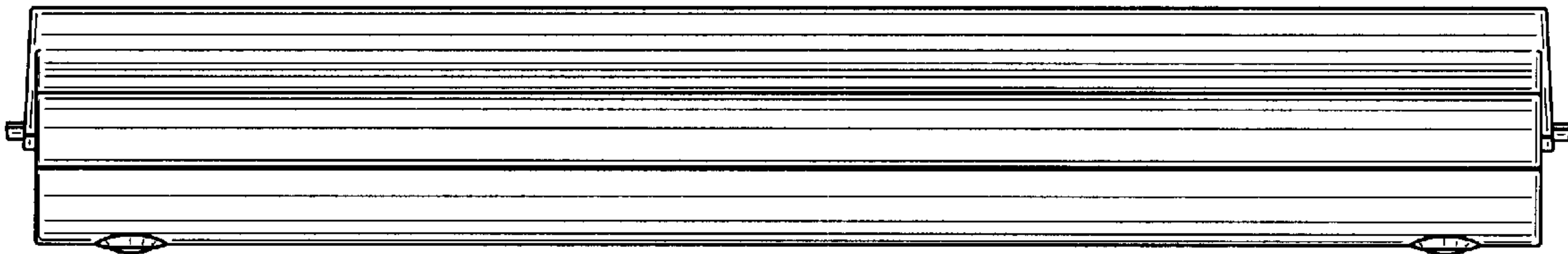


Fig. 11

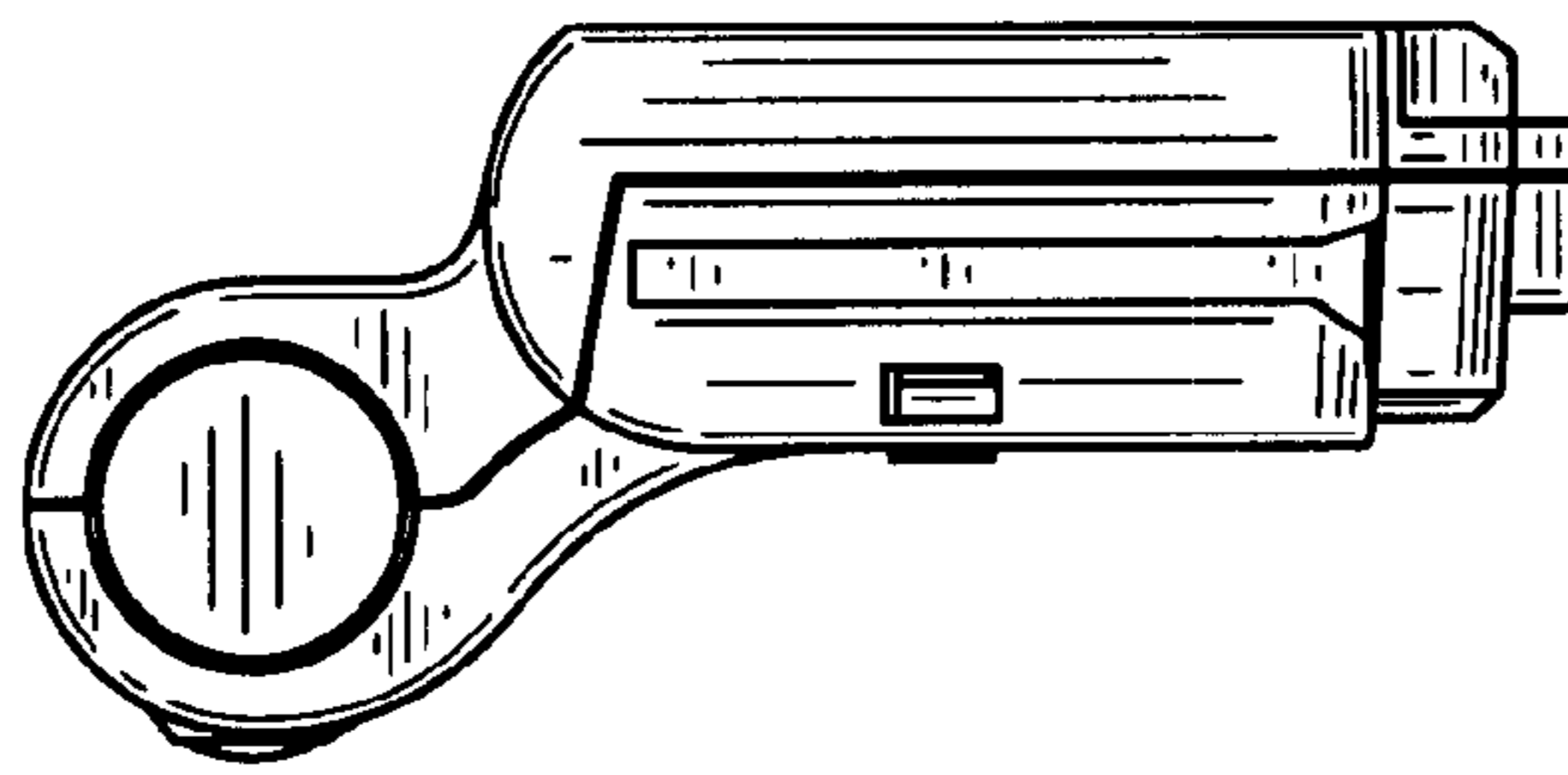


Fig. 12

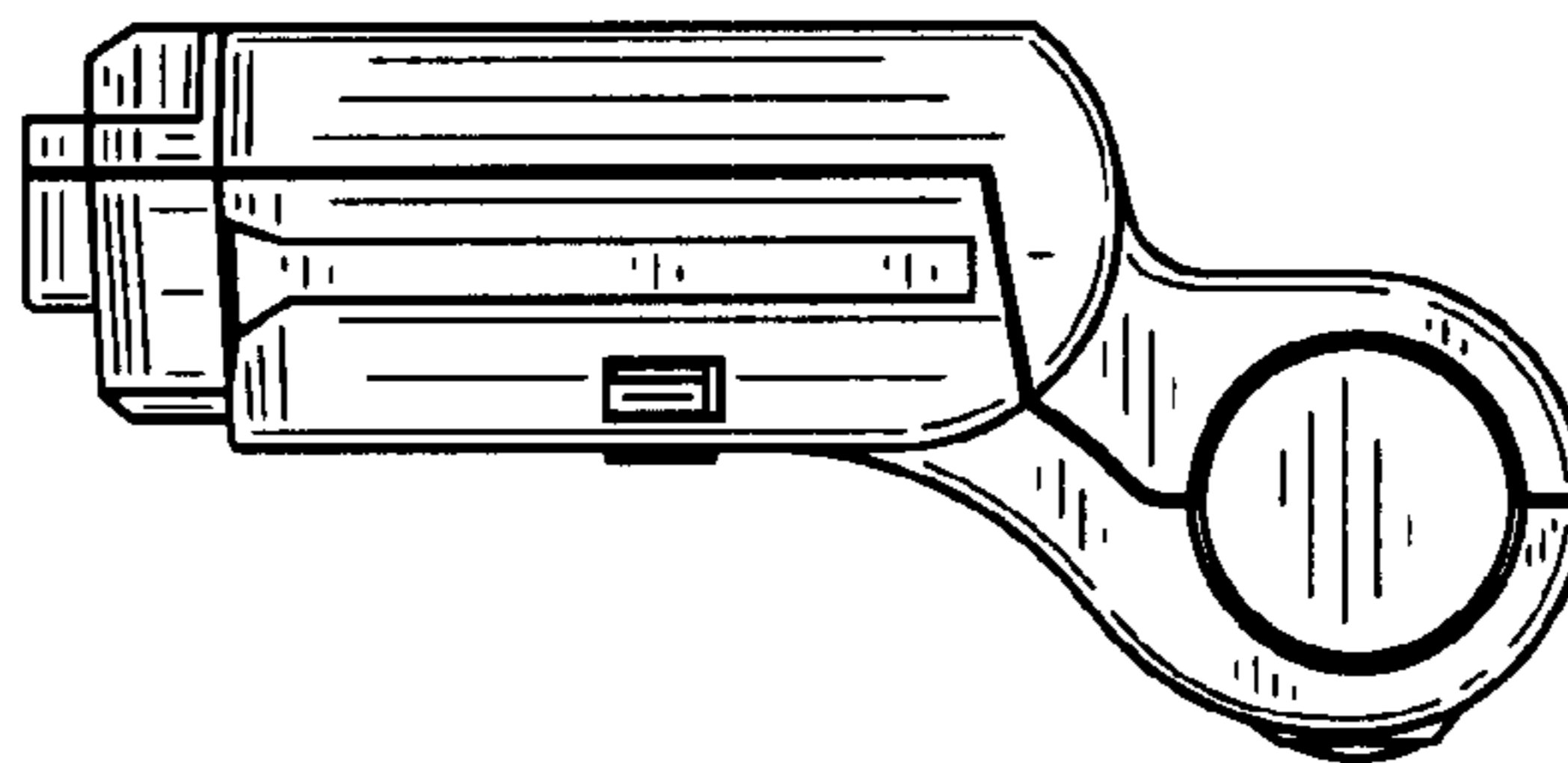


Fig. 13

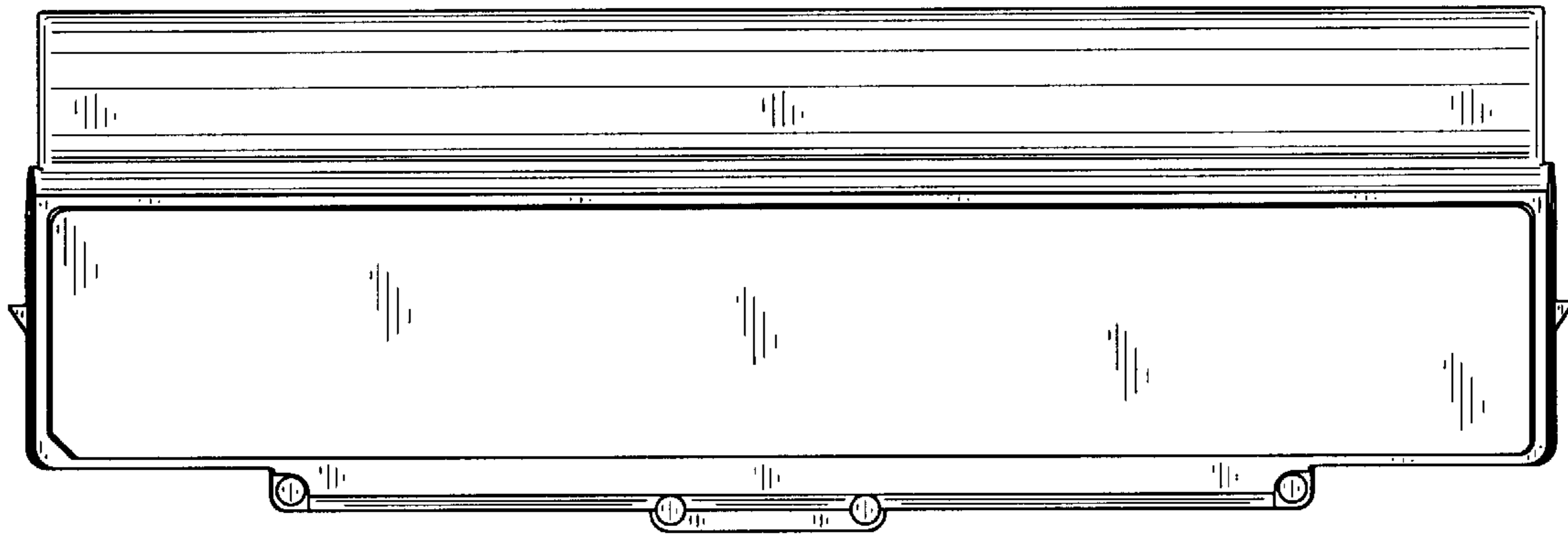


Fig. 14

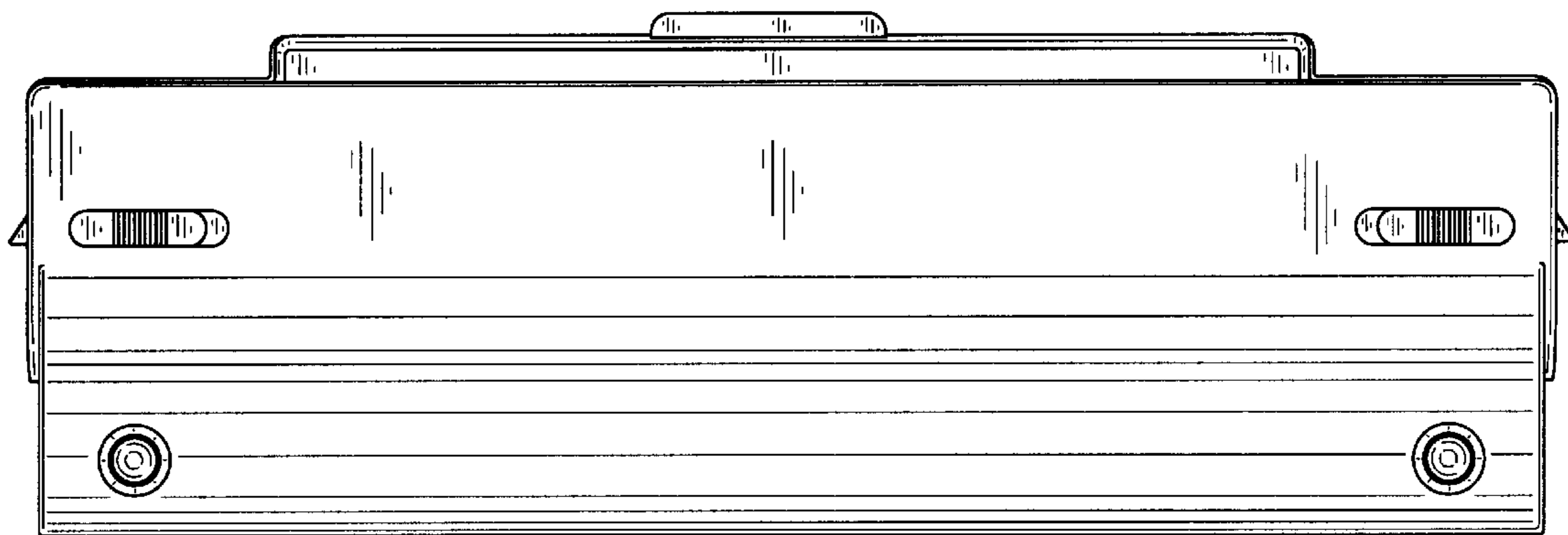


Fig.15

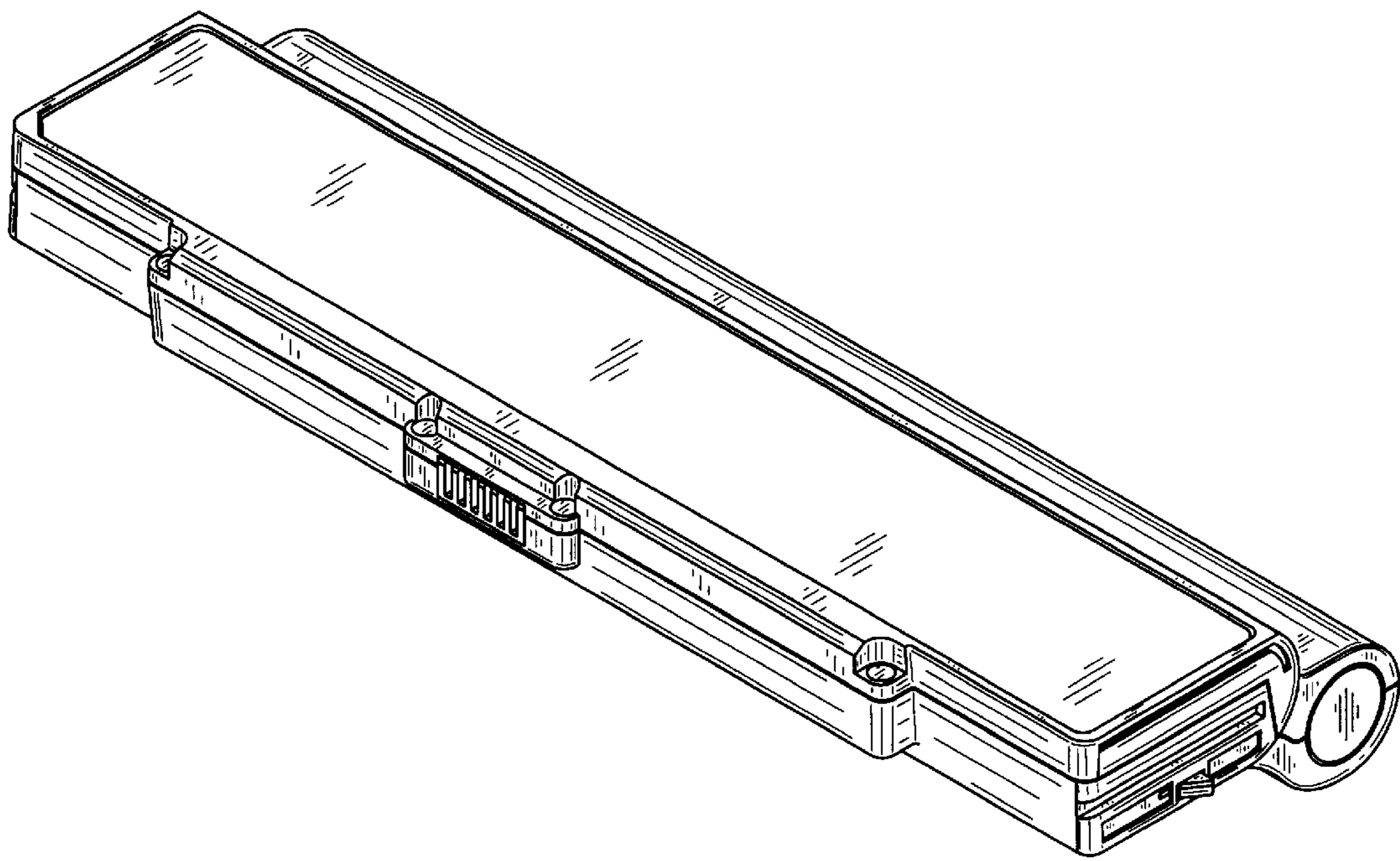


Fig.16

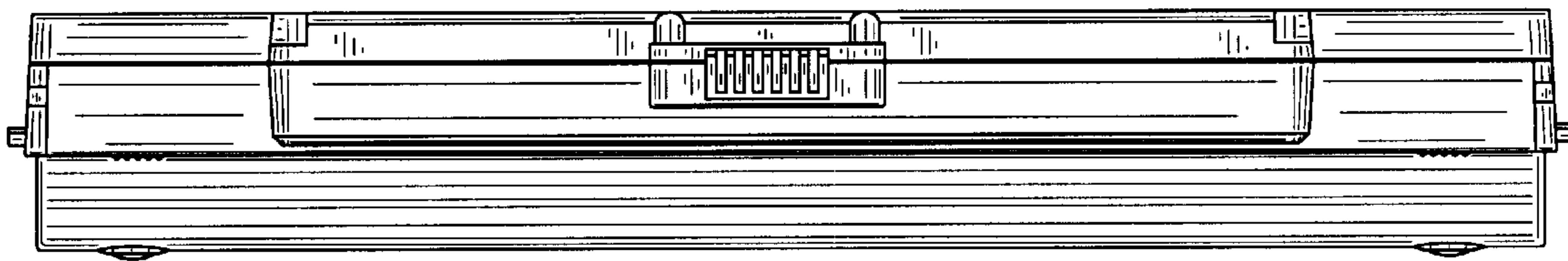


Fig.17

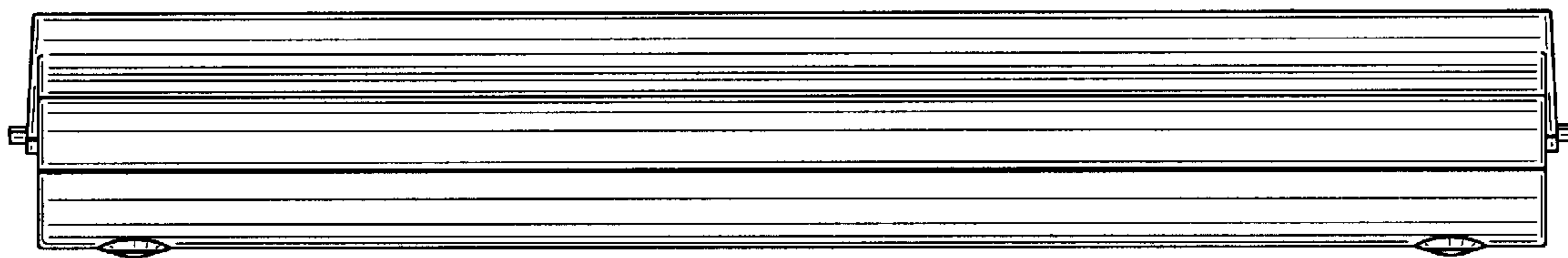


Fig.18

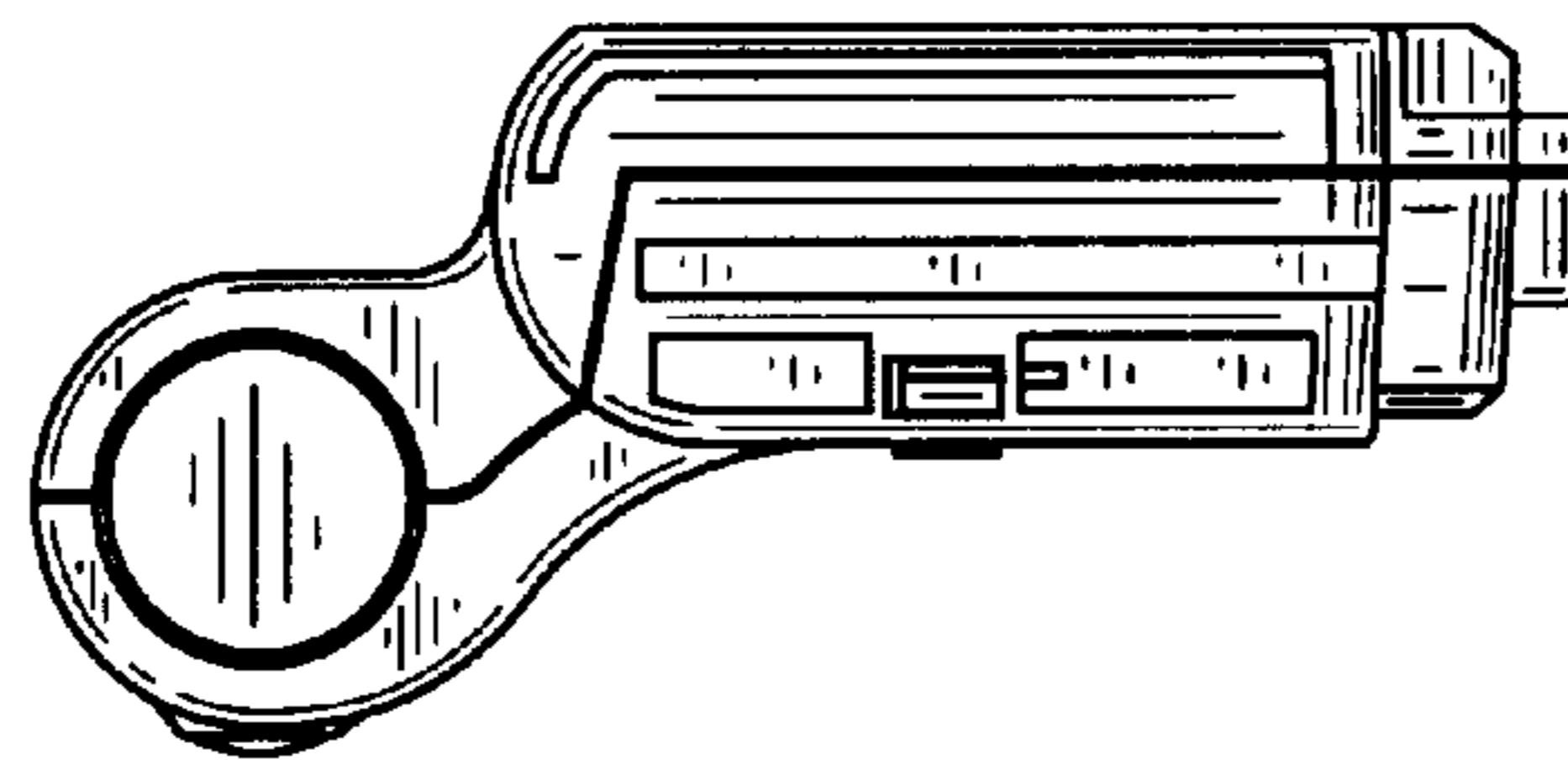


Fig.19

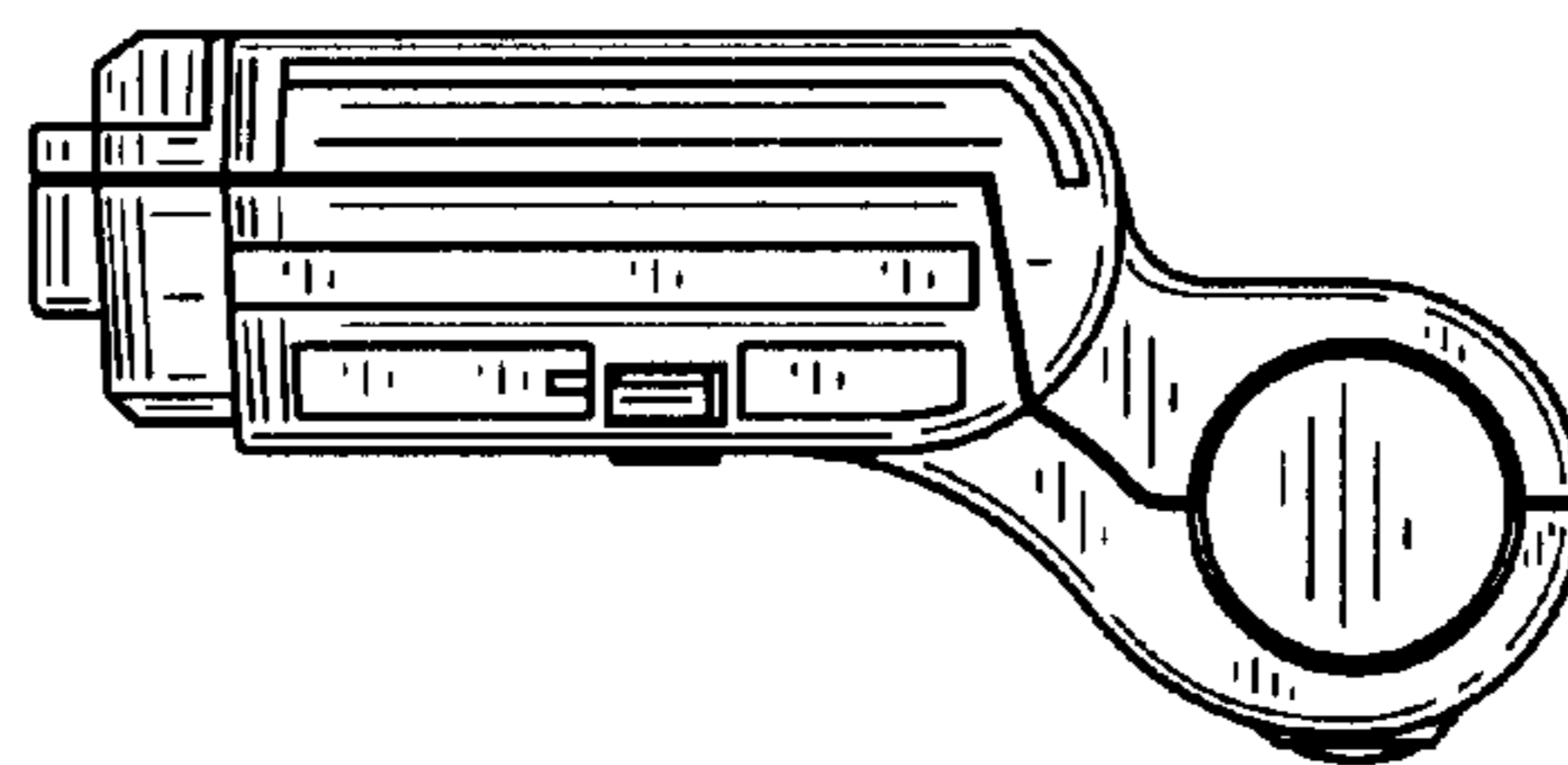


Fig.20

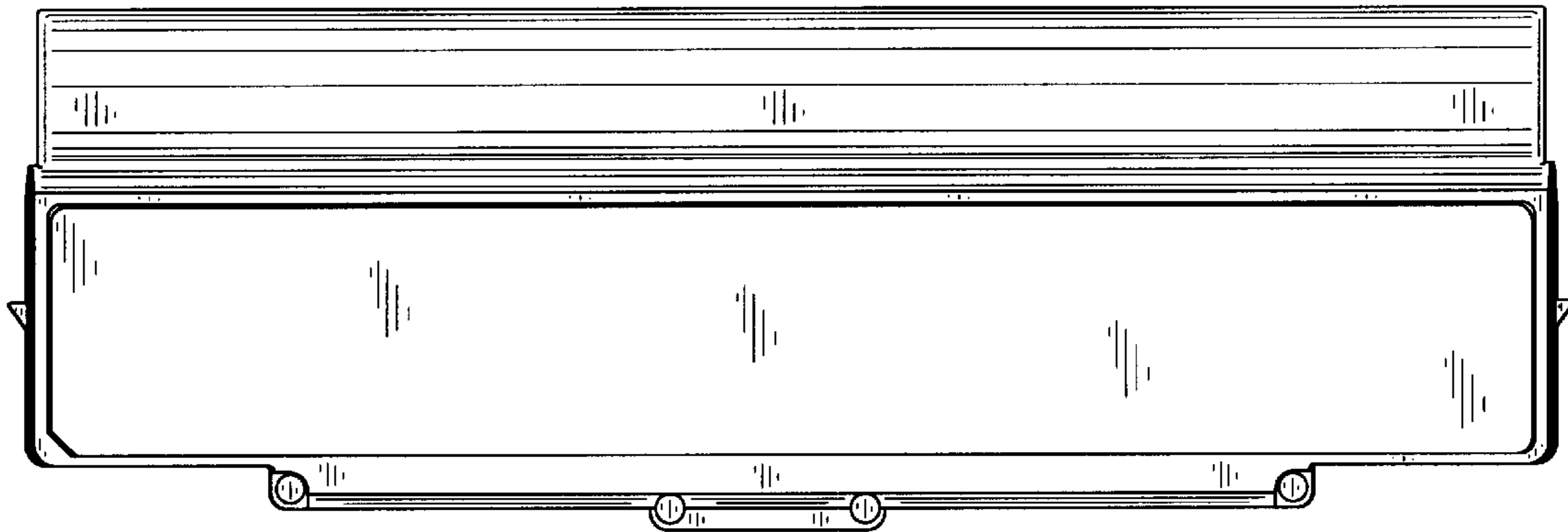


Fig.21

