



US00D515017S

(12) **United States Design Patent**  
**Feldman et al.**

(10) **Patent No.:** **US D515,017 S**

(45) **Date of Patent:** **\*\* Feb. 14, 2006**

(54) **VISOR PACK FOR MINIATURE RF TRANSMITTER**

(75) Inventors: **Todd Feldman**, Flourtown, PA (US);  
**Nate Stoffregen**, Longmont, CO (US)

(73) Assignee: **Aerielle, Inc.**, Mountain View, CA (US)

(\*\*) Term: **14 Years**

(21) Appl. No.: **29/220,777**

(22) Filed: **Jan. 5, 2005**

(51) **LOC (8) Cl.** ..... **12-16**

(52) **U.S. Cl.** ..... **D12/417**

(58) **Field of Classification Search** ..... D12/417,  
D12/191, 415; D3/215, 226, 247-249, 252-253;  
224/311, 312, 275; 296/97.1-97.9, 97.11;  
D6/620-635

See application file for complete search history.

(56) **References Cited**

**U.S. PATENT DOCUMENTS**

- D395,637 S \* 6/1998 Patterson ..... D12/417
- D402,624 S \* 12/1998 Patterson ..... D12/417
- D413,299 S \* 8/1999 Hartmann et al. .... D12/417
- D432,981 S \* 10/2000 Eskandry ..... D12/417

- D434,368 S \* 11/2000 Eskandry ..... D12/417
- D435,511 S \* 12/2000 Eskandry ..... D12/417
- D446,765 S \* 8/2001 Bergh et al. .... D12/417
- D474,732 S \* 5/2003 Hillman ..... D12/417

\* cited by examiner

*Primary Examiner*—Stacia Cadmus

(74) *Attorney, Agent, or Firm*—Craig M. Stainbrook; Larry D. Johnson; Johnson & Stainbrook LLP

(57) **CLAIM**

The ornamental design for a visor pack for miniature RF transmitter, as shown and described.

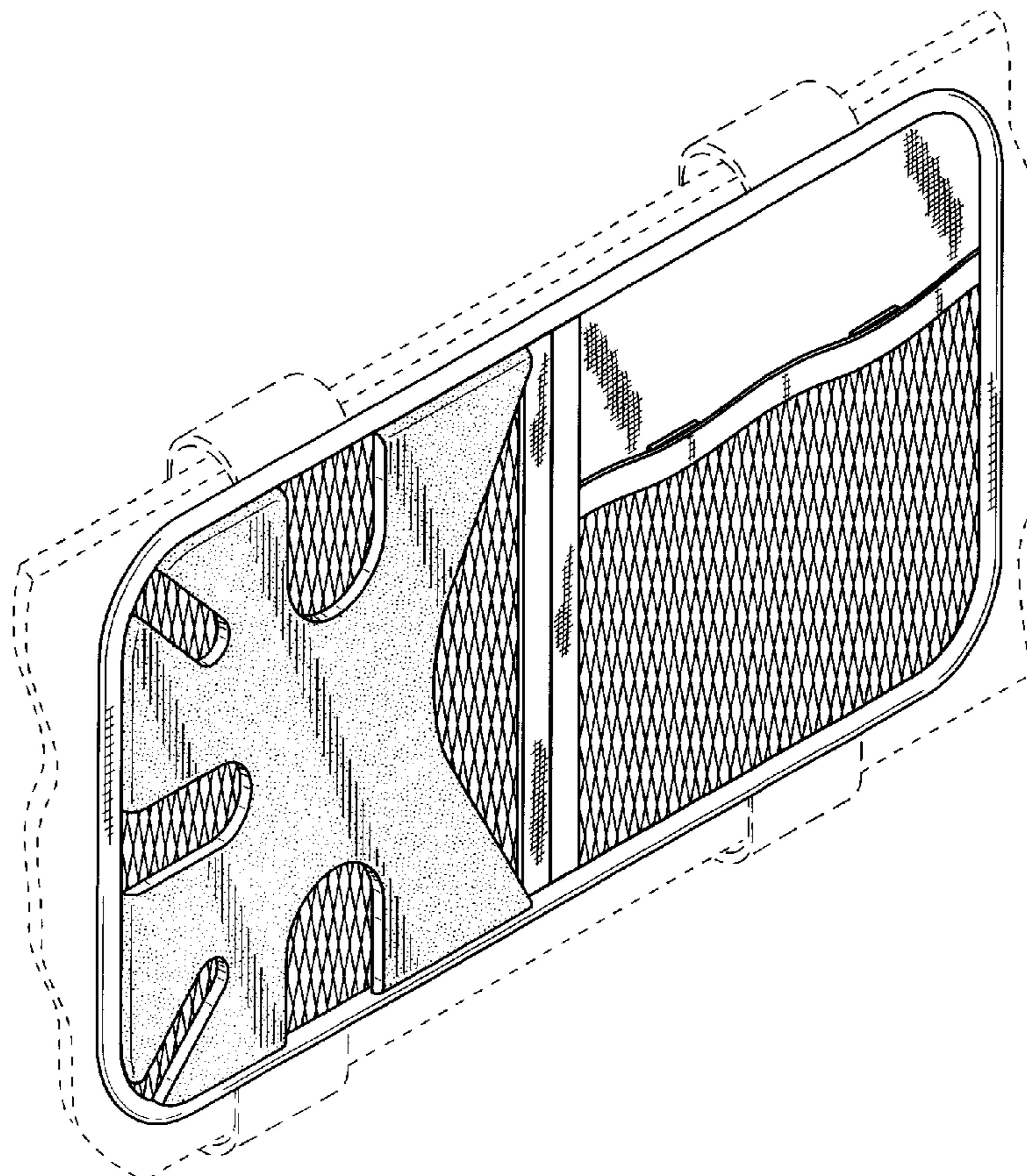
**DESCRIPTION**

FIG. 1 is a front perspective view of a visor pack for miniature RF transmitter, showing our new design; FIG. 2 is an enlarged front view thereof; FIG. 3 is an enlarged top view thereof; FIG. 4 is an enlarged bottom view thereof; FIG. 5 is an enlarged right side view thereof; and, FIG. 6 is an enlarged left side view thereof.

The cross hatched shading randomly shown on the drawings is understood to cover the surface on which it is applied.

The broken line showing of environment is for illustrative purposes only and forms no part of the claimed design.

**1 Claim, 3 Drawing Sheets**



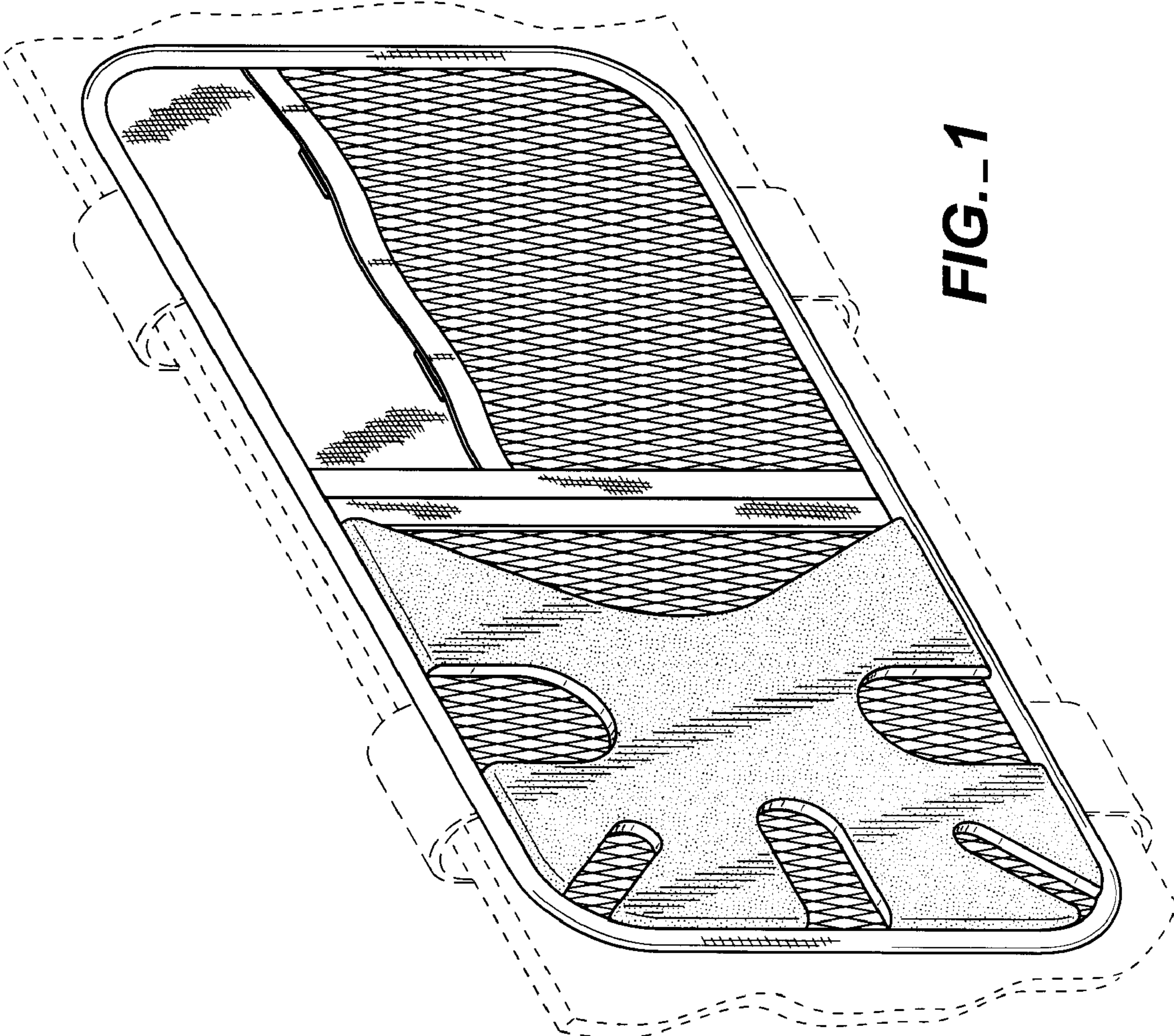
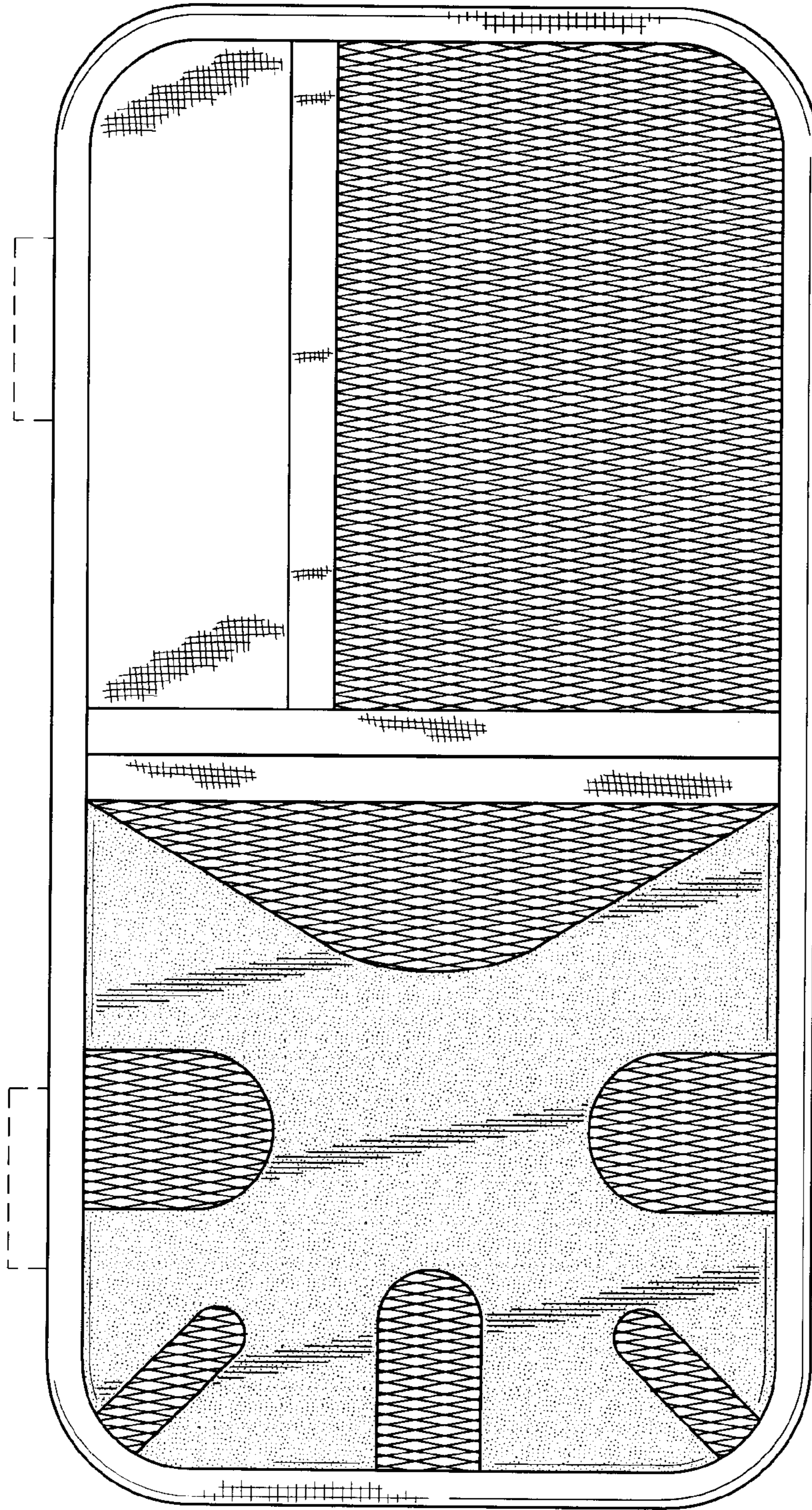
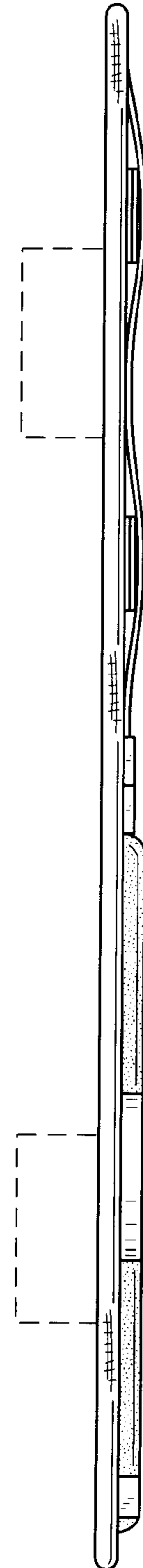


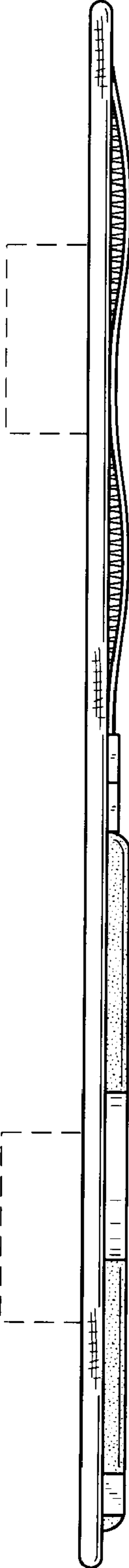
FIG. 1



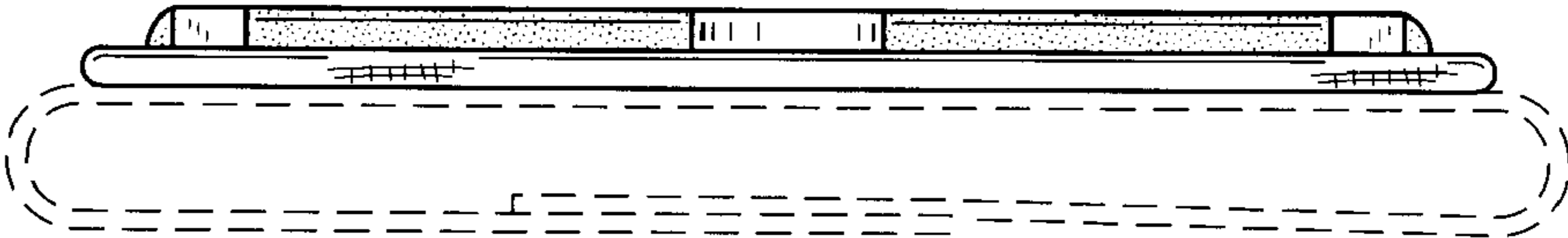
**FIG. 2**



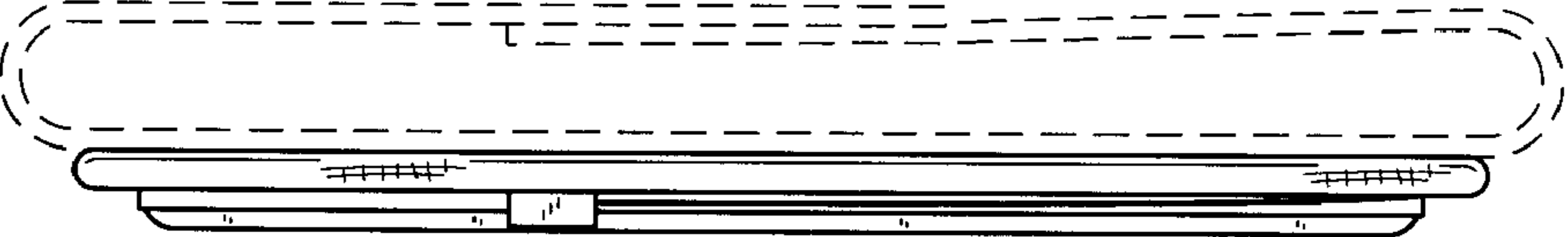
**FIG. 3**



**FIG. 4**



**FIG. 6**



**FIG. 5**