



US00D515015S

(12) **United States Design Patent**
Morgan

(10) **Patent No.:** **US D515,015 S**
(45) **Date of Patent:** **** Feb. 14, 2006**

(54) **FORK BAG**

(76) Inventor: **Keith E. Morgan**, 543 N. 600 E.,
Kokomo, IN (US) 46901

(**) Term: **14 Years**

(21) Appl. No.: **29/226,021**

(22) Filed: **Mar. 23, 2005**

(51) **LOC (8) Cl.** **12-16**

(52) **U.S. Cl.** **D12/409**

(58) **Field of Classification Search** **D12/110,**
D12/407, 409; 180/219; 224/400, 412, 413,
224/424, 429-439, 463, 924, 42.11, 420;
296/37.1

See application file for complete search history.

(56) **References Cited**

U.S. PATENT DOCUMENTS

D238,865 S	2/1976	Heck
4,066,196 A	1/1978	Jackson et al.
D307,733 S	5/1990	Kushitani
D336,878 S	6/1993	Graf
D360,182 S	7/1995	Lovett
6,478,463 B2	11/2002	Snider

OTHER PUBLICATIONS

Drag Specialties FatBook 2002, fork bags and tool bags on
p. 151.*

* cited by examiner

Primary Examiner—Alan P. Douglas

Assistant Examiner—Linda Brooks

(74) *Attorney, Agent, or Firm*—Frank D. Lachenmaier

(57) **CLAIM**

The ornamental design for the fork bag, as shown and
described.

DESCRIPTION

FIG. 1 is a front view of a fork bag showing my new design;

FIG. 2 is a rear view thereof;

FIG. 3 is a top view thereof;

FIG. 4 is a bottom view thereof;

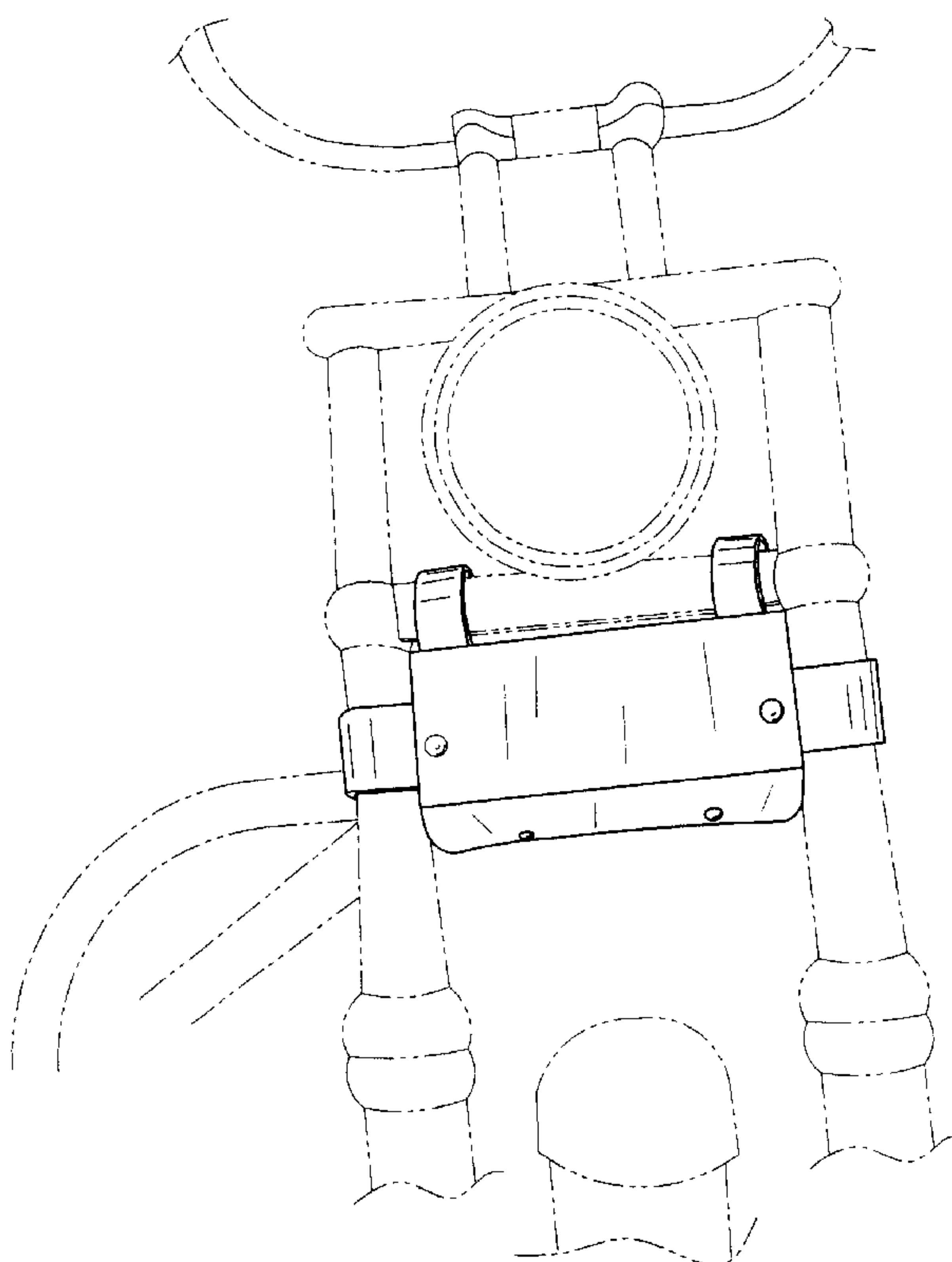
FIG. 5 is a right side elevational view thereof, the left side
elevational view being a mirror image;

FIG. 6 is an isometric view of an open fork bag; and,

FIG. 7 is an isometric view of a closed fork bag on a reduced
scale mounted on the front fork of a typical motorcycle.

The motorcycle front fork shown in phantom lines forms no
part of this invention and is shown for illustrative purposes
only.

1 Claim, 4 Drawing Sheets



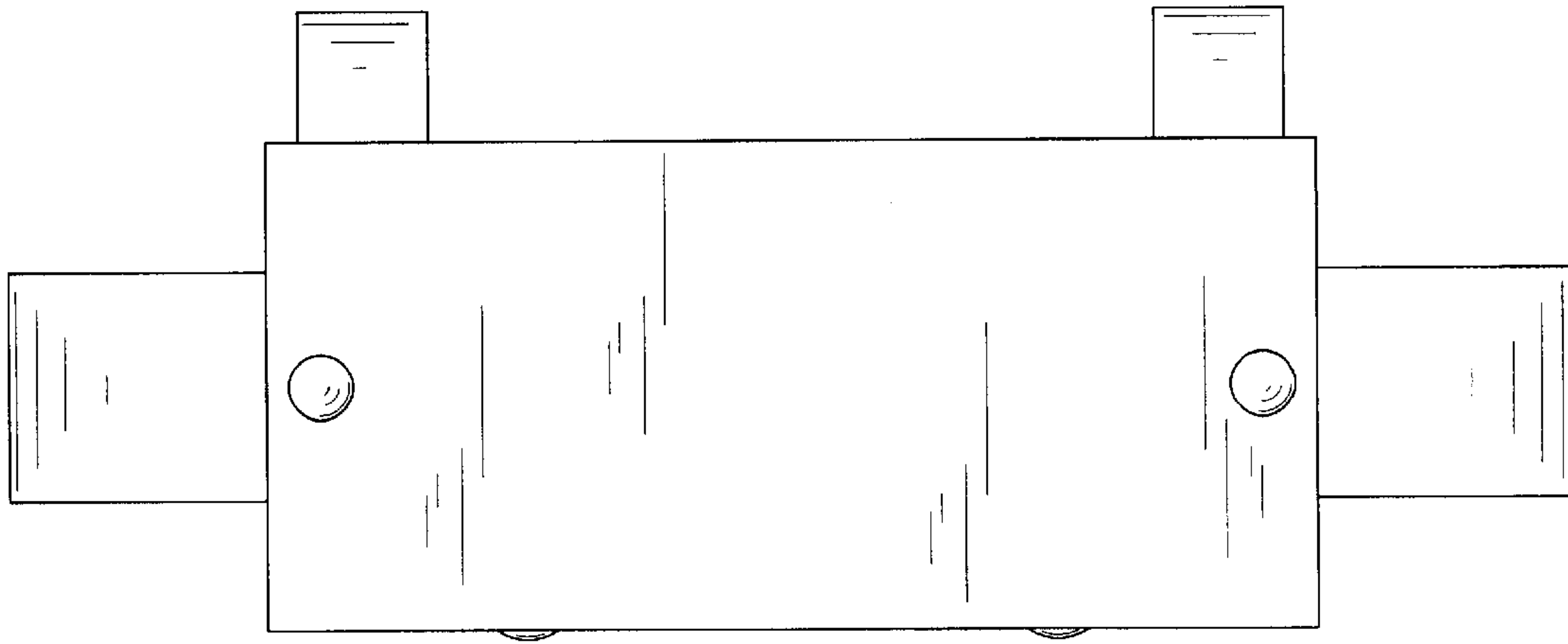


FIG 1

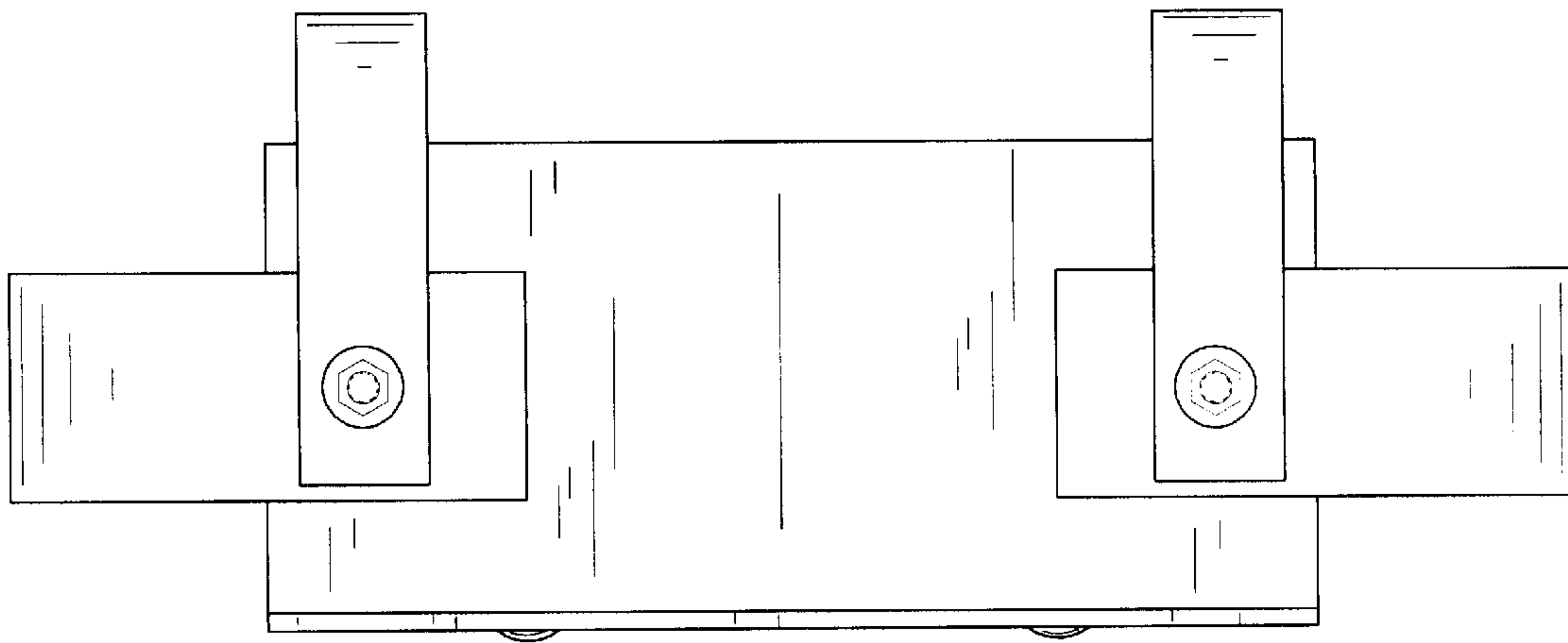


FIG 2

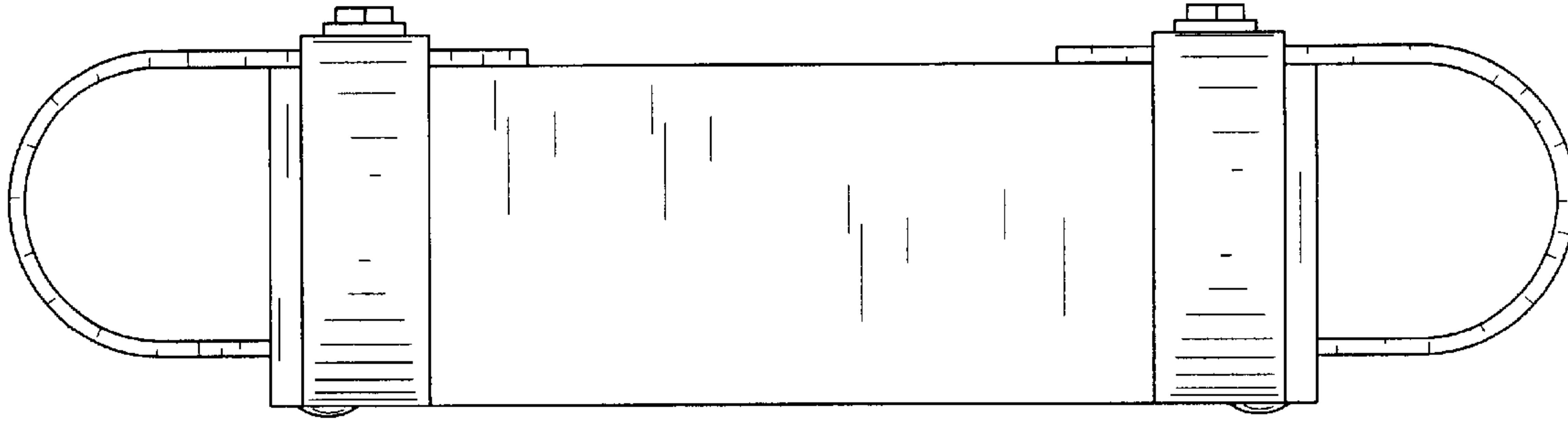


FIG 3

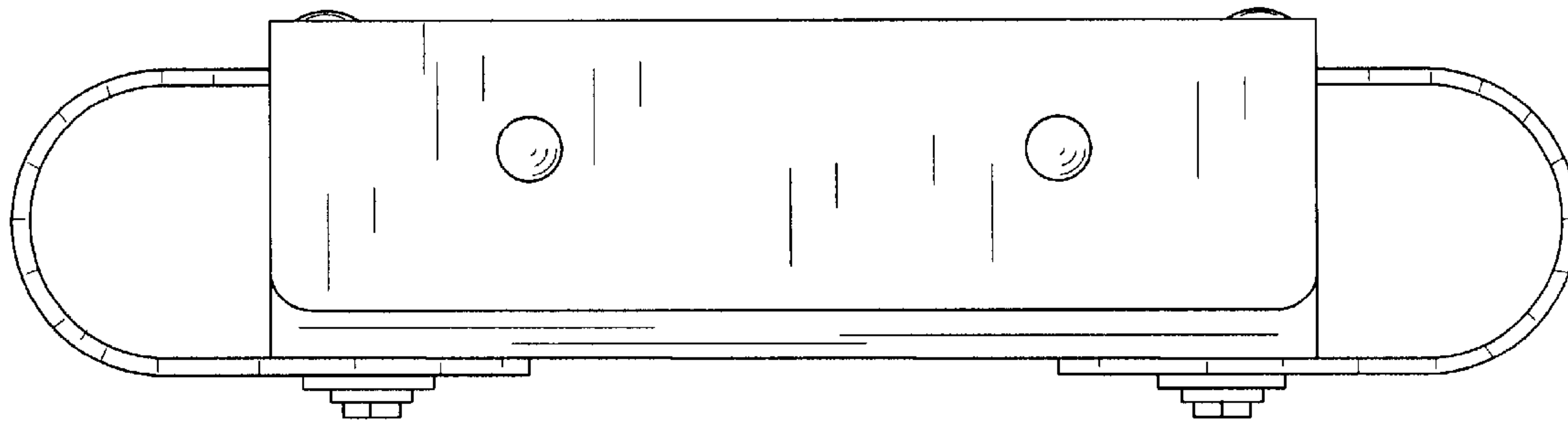


FIG 4

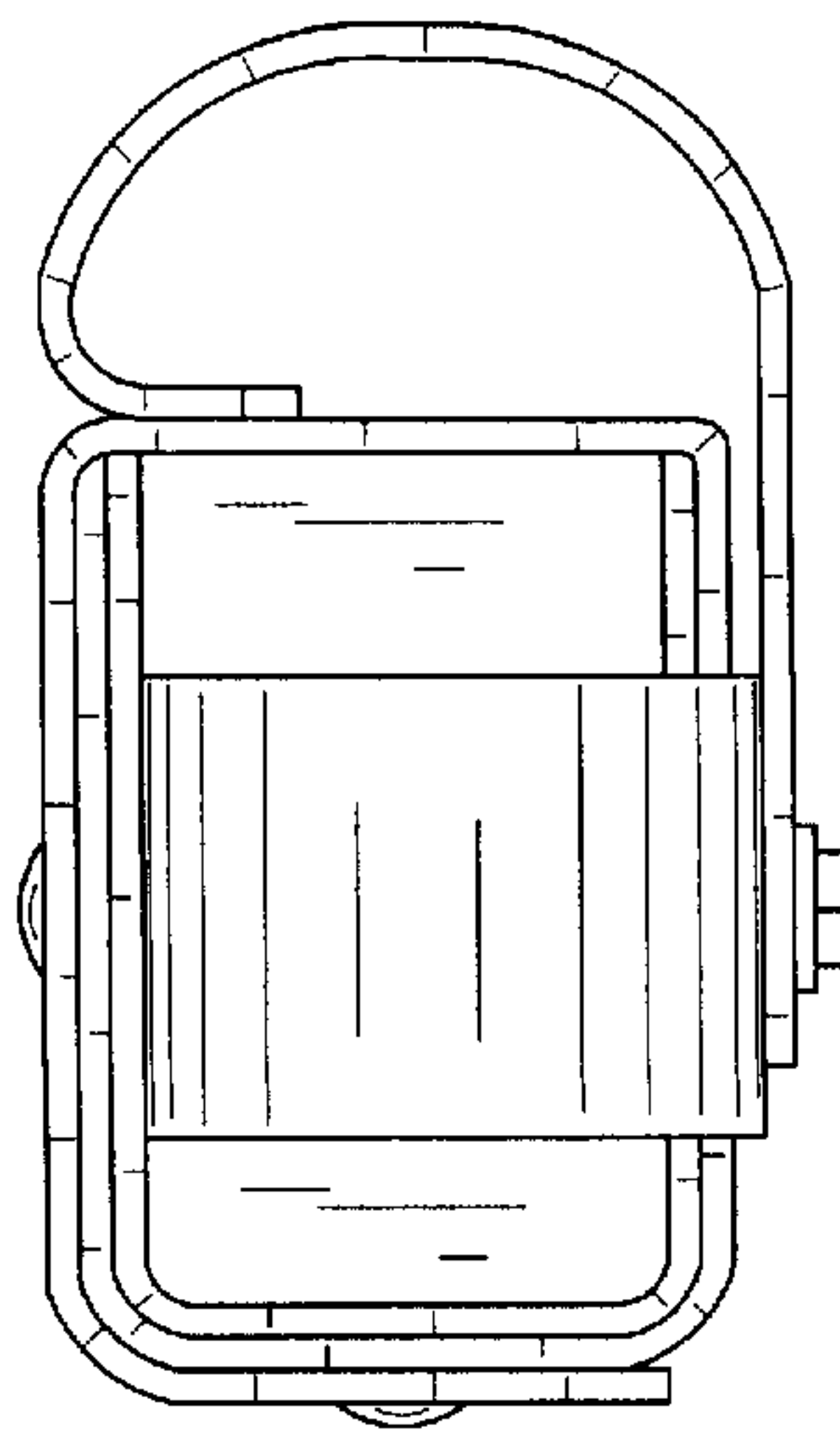


FIG 5

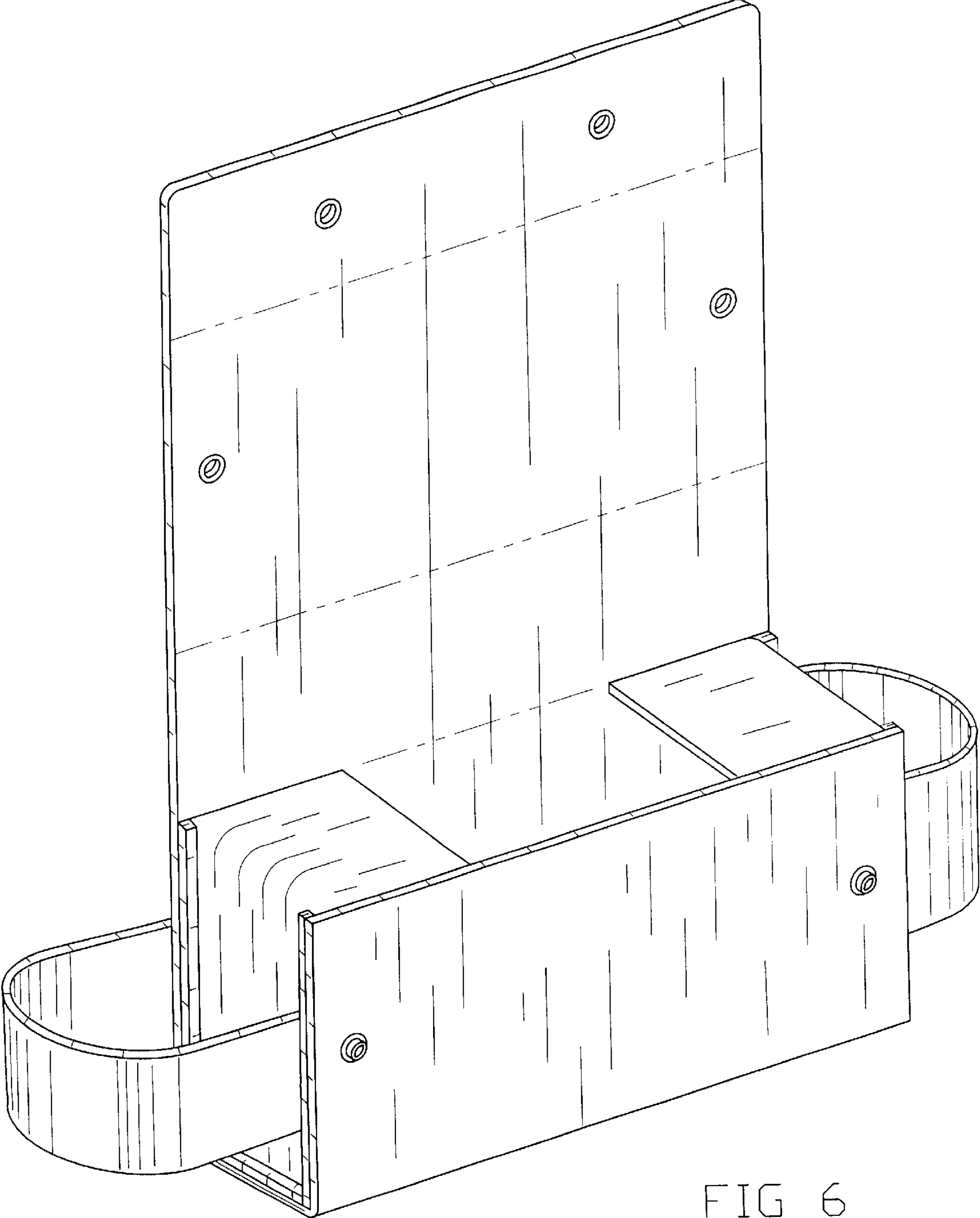


FIG 6

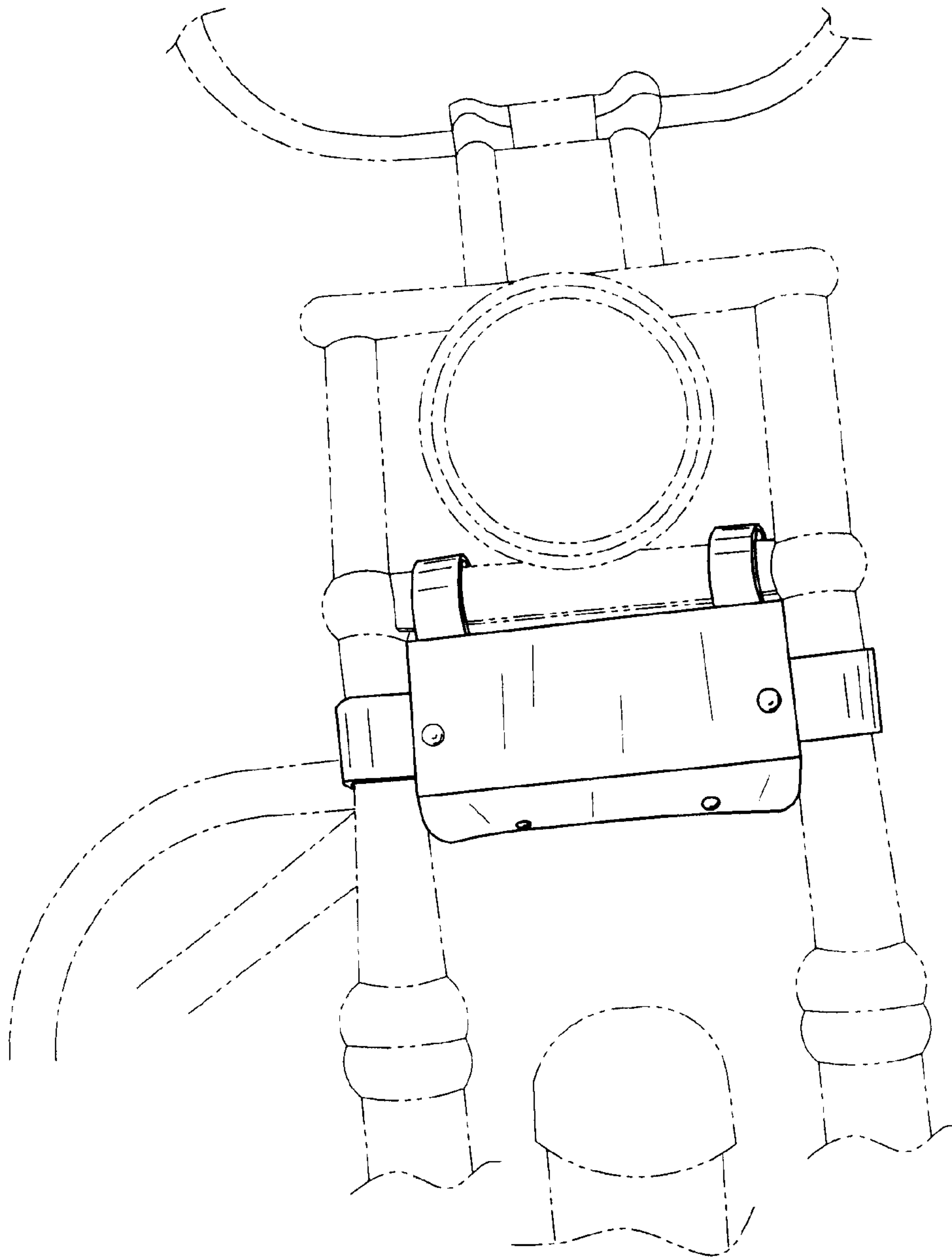


FIG 7