



US00D515014S

(12) **United States Design Patent**  
**Daniels**

(10) **Patent No.:** **US D515,014 S**

(45) **Date of Patent:** **\*\* Feb. 14, 2006**

(54) **HELICOPTER EMERGENCY ESCAPE WINDOW LIGHTING SYSTEM**

D331,215 S \* 11/1992 Moreno et al. .... D12/183  
5,337,977 A \* 8/1994 Fleming et al. .... 244/129.5  
D376,343 S \* 12/1996 Alcocer ..... D12/345

(75) Inventor: **Alan James Daniels**, Deeping St.  
James (GB)

\* cited by examiner

(73) Assignee: **Polastar Safety Systems Limited**,  
Northants (GB)

*Primary Examiner*—Marcus A. Jackson  
(74) *Attorney, Agent, or Firm*—Dennison, Schultz,  
Dougherty & MacDonald

(\*\*) Term: **14 Years**

(57) **CLAIM**

(21) Appl. No.: **29/199,309**

The ornamental design for a helicopter emergency escape window lighting system, as shown and described.

(22) Filed: **Feb. 13, 2004**

**DESCRIPTION**

(51) **LOC (8) Cl.** ..... **12-12**

(52) **U.S. Cl.** ..... **D12/345**

(58) **Field of Classification Search** ..... D12/319-345;  
244/129.3, 129.4; 52/200, 201

See application file for complete search history.

FIG. 1 is a front perspective view of a helicopter emergency escape window lighting system showing my new design; FIG. 2 is a front elevation view thereof; FIG. 3 is a left side elevation view thereof; FIG. 4 is a rear elevation view thereof; FIG. 5 is a right side elevation view thereof; FIG. 6 is a top plan view thereof; and, FIG. 7 is a bottom plan view thereof.

(56) **References Cited**

**U.S. PATENT DOCUMENTS**

D289,994 S \* 5/1987 McNab et al. .... D12/345  
5,031,863 A \* 7/1991 Noble ..... 244/129.5

**1 Claim, 4 Drawing Sheets**

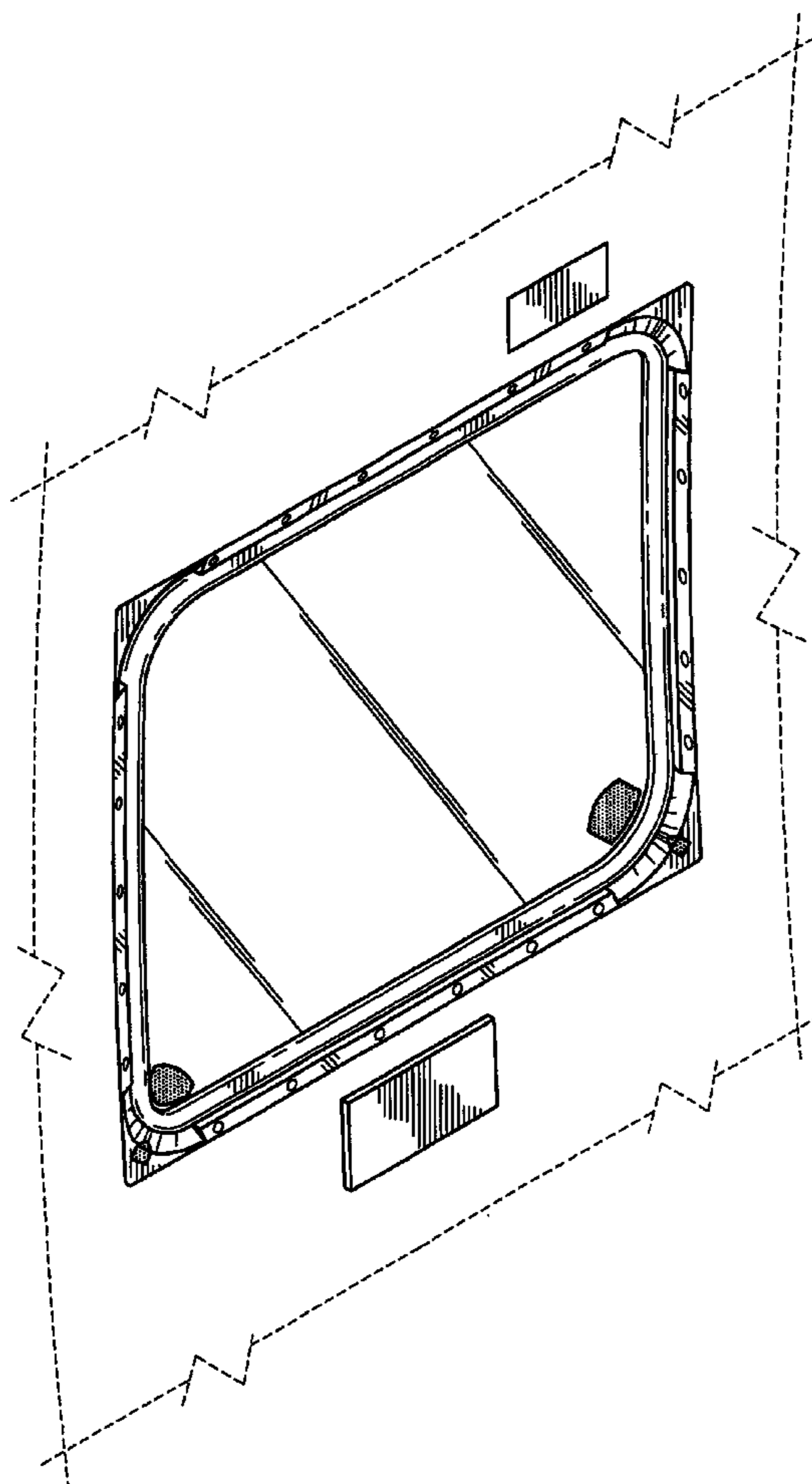
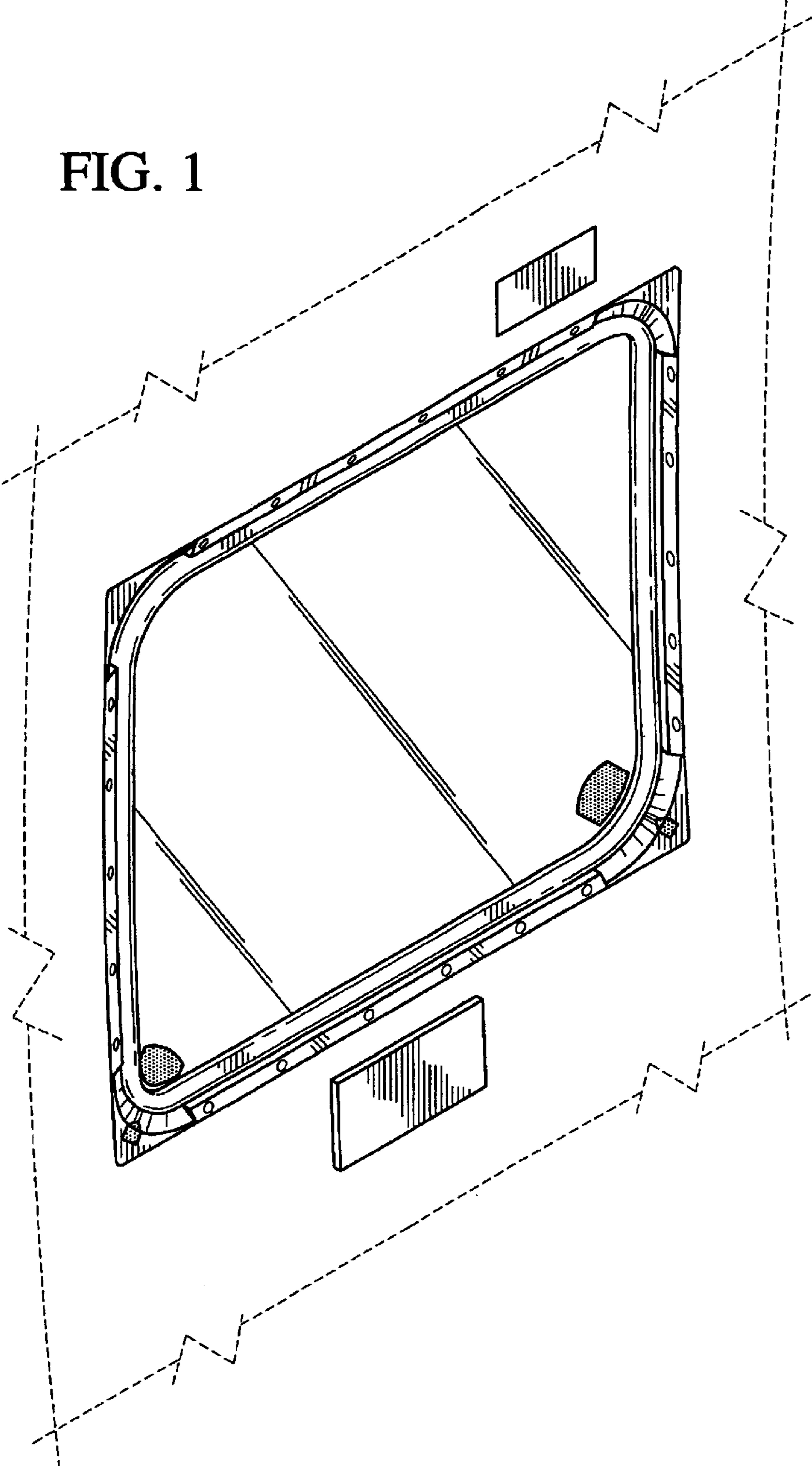


FIG. 1



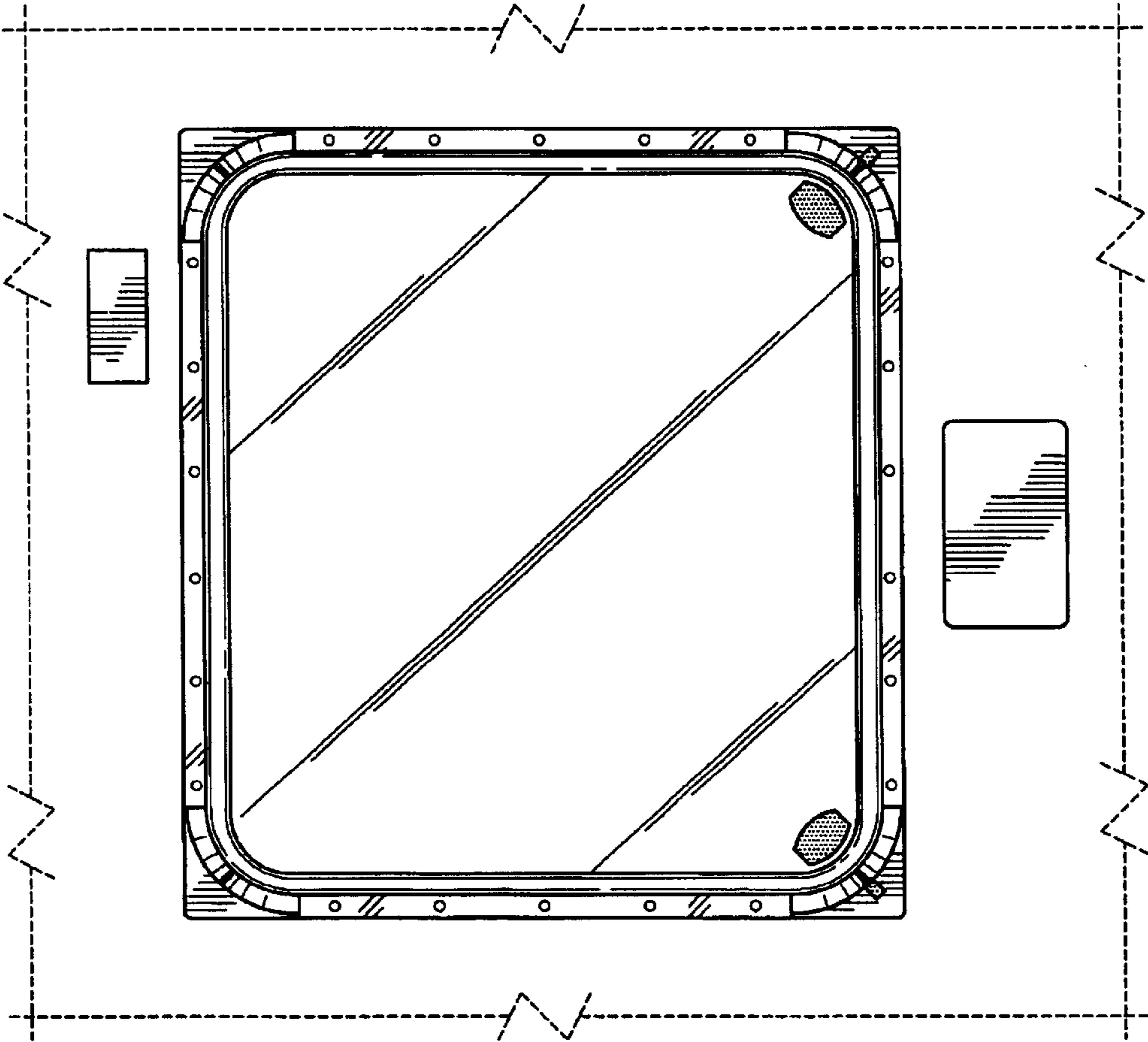


FIG. 2

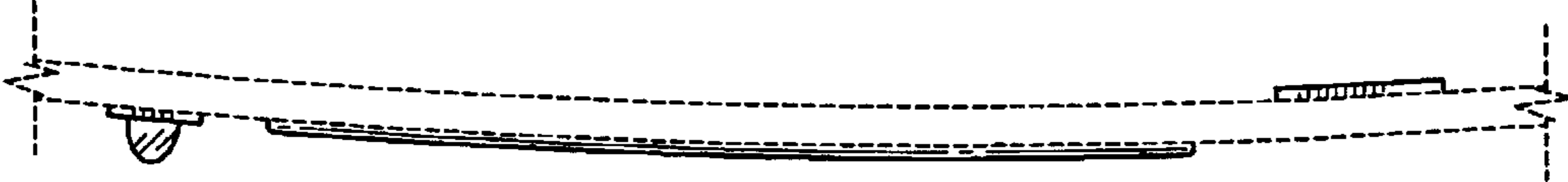


FIG. 3

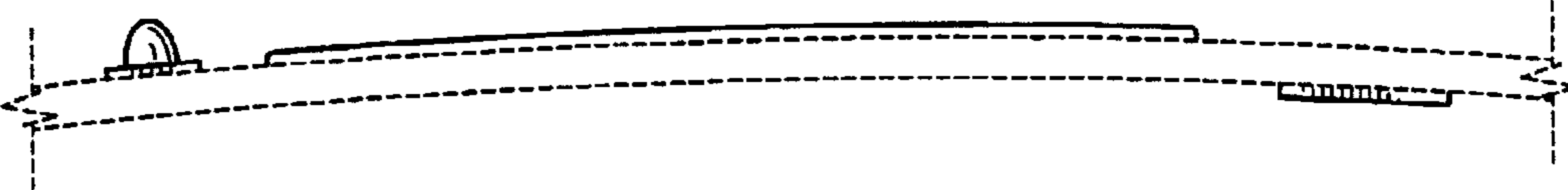


FIG. 5

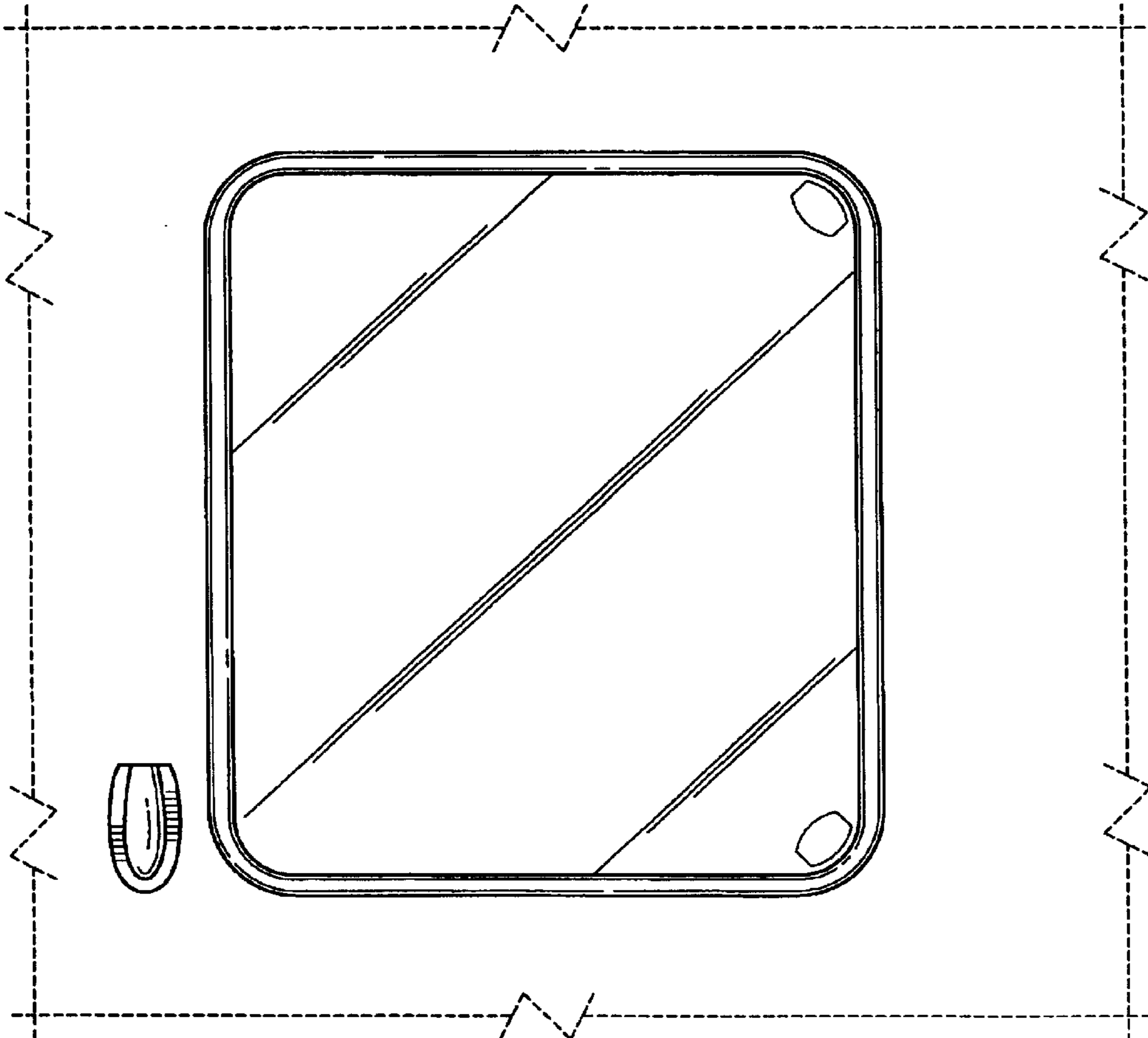


FIG. 4

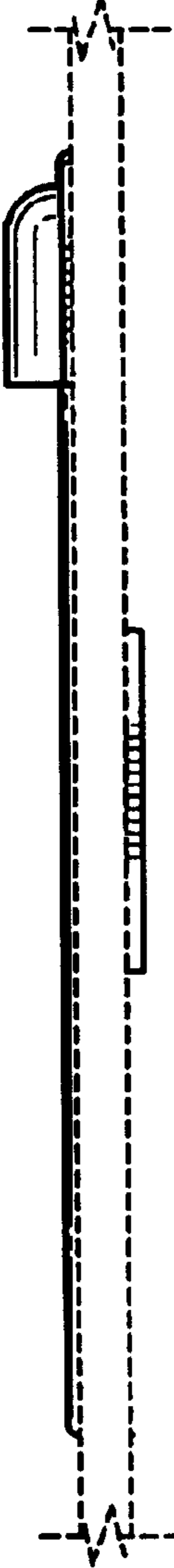


FIG. 6

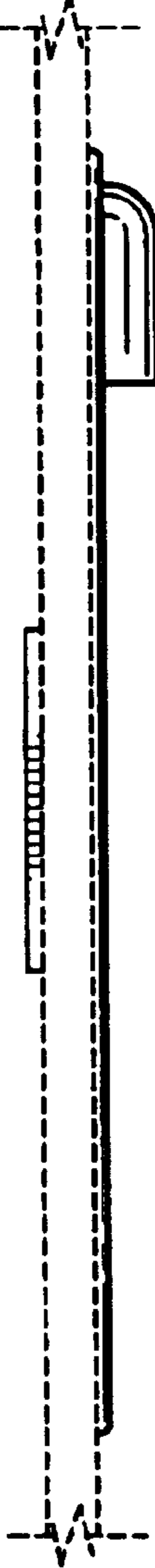


FIG. 7