



US00D515012S

(12) **United States Design Patent** (10) **Patent No.:** **US D515,012 S**
Eatkins et al. (45) **Date of Patent:** **** Feb. 14, 2006**

(54) **JET AIRPLANE**

(75) Inventors: **Mark E. Eatkins**, Kirkland, WA (US);
Paul Mikulencak, Everett, WA (US);
R. Blake Emery, Enumclaw, WA (US);
Victor K. Stuhr, Seattle, WA (US);
Adam P. Malachowski, Lynnwood, WA
(US); **Stephen T. Brown**, Everett, WA
(US); **Richard K. Wong**, Auburn, WA
(US); **Chester P. Nelson**, Kirkland, WA
(US); **Michael L. Drake**, Bellevue, WA
(US); **Christopher A. Vegter**, Bothell,
WA (US); **Bruce R. Detert**, Seattle, WA
(US); **Christopher A. Konings**,
Kirkland, WA (US)

(73) Assignee: **The Boeing Company**, Chicago, IL
(US)

(**) Term: **14 Years**

(21) Appl. No.: **29/220,255**

(22) Filed: **Dec. 28, 2004**

(51) **LOC (8) Cl.** **12-12**

(52) **U.S. Cl.** **D12/319**

(58) **Field of Classification Search** D12/319-345;
244/35 A, 45 A, 118.5, 119, 130

See application file for complete search history.

(56) **References Cited**

U.S. PATENT DOCUMENTS

D354,474 S	*	1/1995	Murphy et al.	D12/340
D491,875 S	*	6/2004	Eatkins et al.	D12/319
D495,653 S	*	9/2004	Eatkins et al.	D12/319
D499,688 S	*	12/2004	Atkinson et al.	D12/319
D500,980 S	*	1/2005	Eatkins et al.	D12/319

* cited by examiner

Primary Examiner—Marcus A. Jackson

(74) *Attorney, Agent, or Firm*—John A. Artz; Artz & Artz,
P.C.

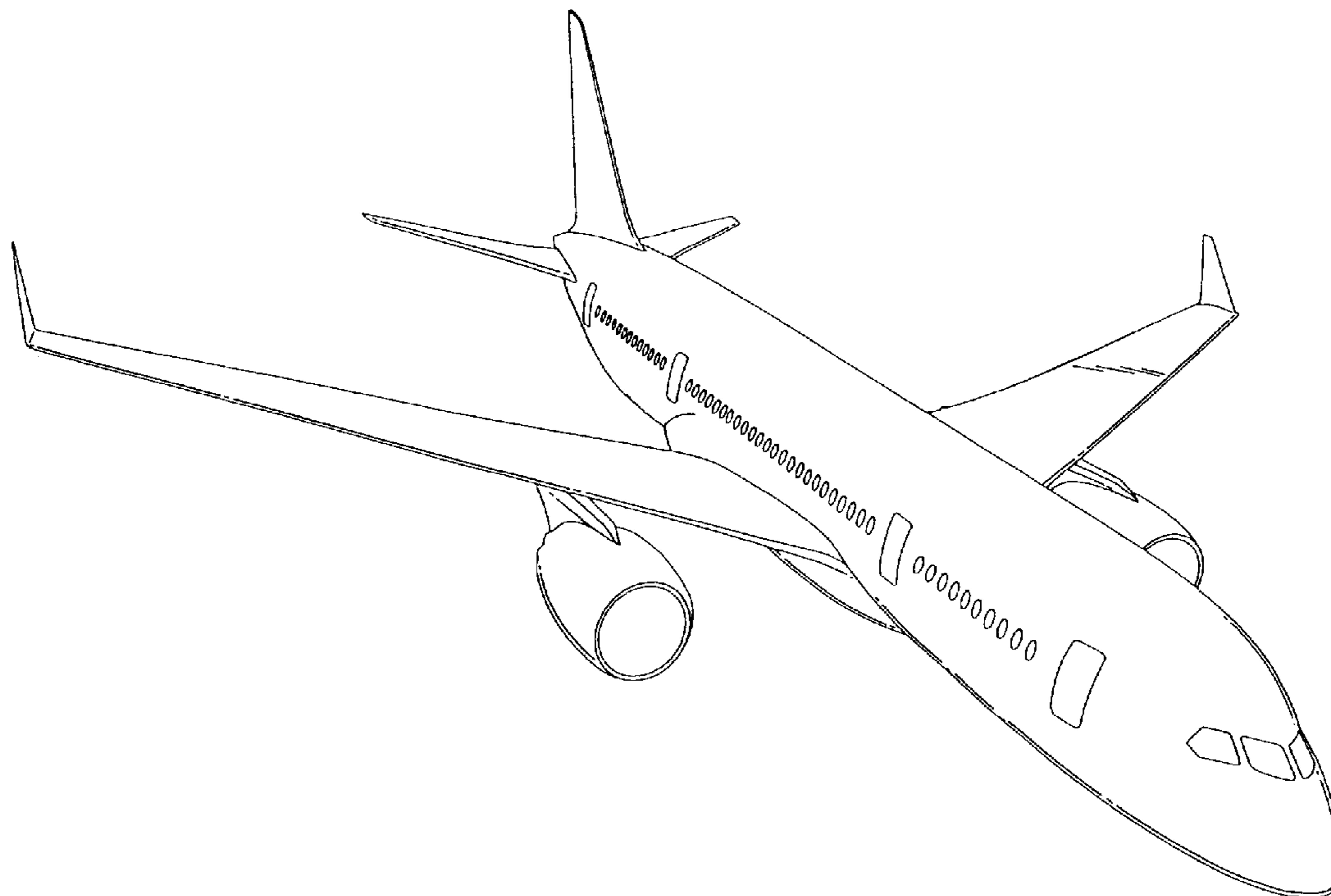
(57) **CLAIM**

The ornamental design for a jet airplane, as shown and
described.

DESCRIPTION

FIG. 1 is a perspective view of the inventive jet airplane;
FIG. 2 is a top plan view of the jet airplane;
FIG. 3 is a view of one side of the jet airplane, with the
opposite side being a mirror image thereof;
FIG. 4 is a front plan view of the jet airplane;
FIG. 5 is a back plan view of the jet airplane; and,
FIG. 6 is a bottom plan view of the jet airplane.

1 Claim, 4 Drawing Sheets



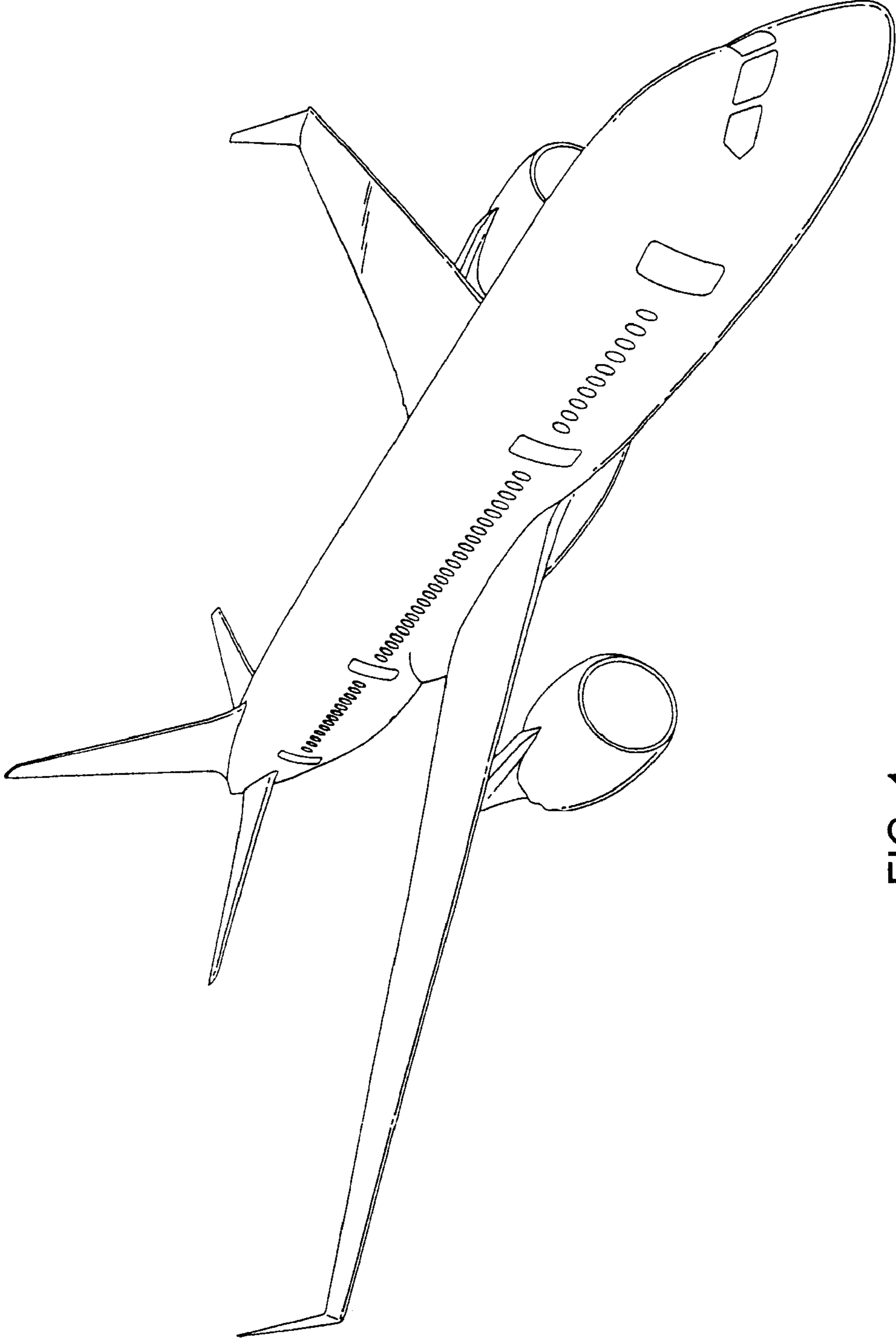


FIG. 1

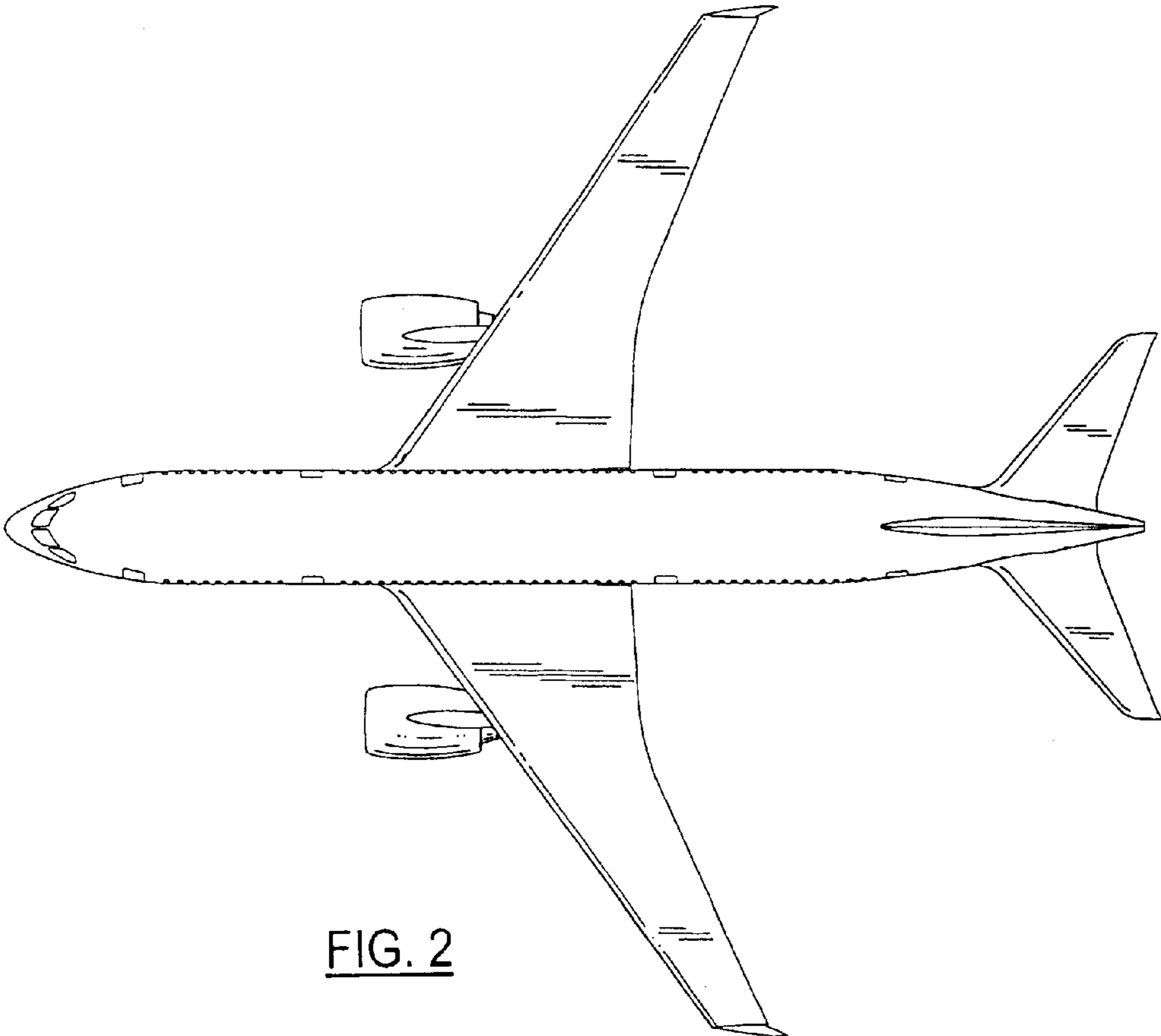


FIG. 2

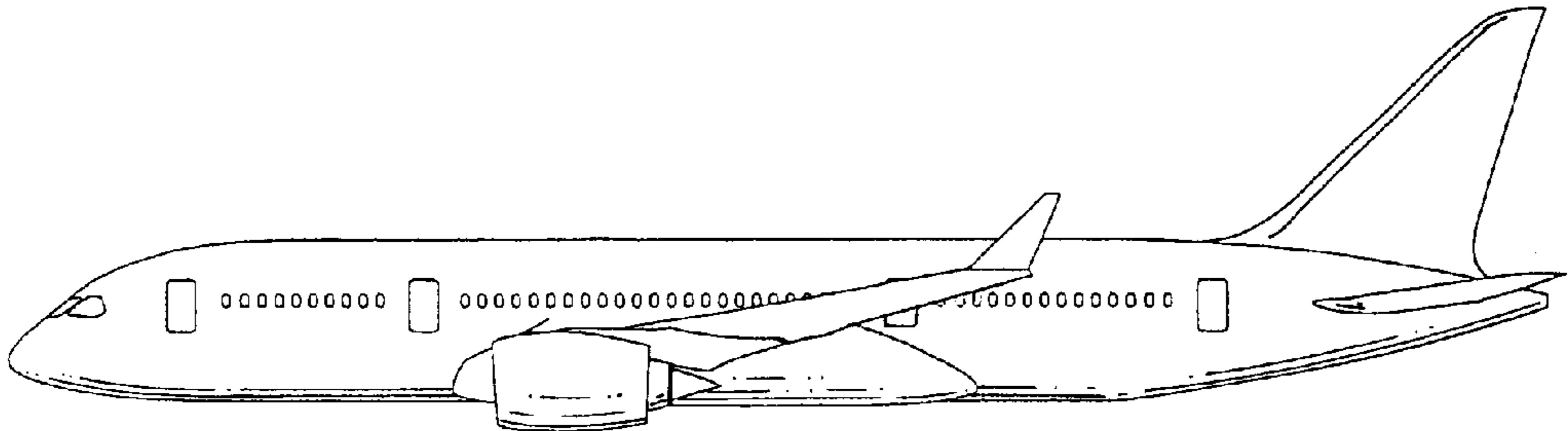


FIG. 3

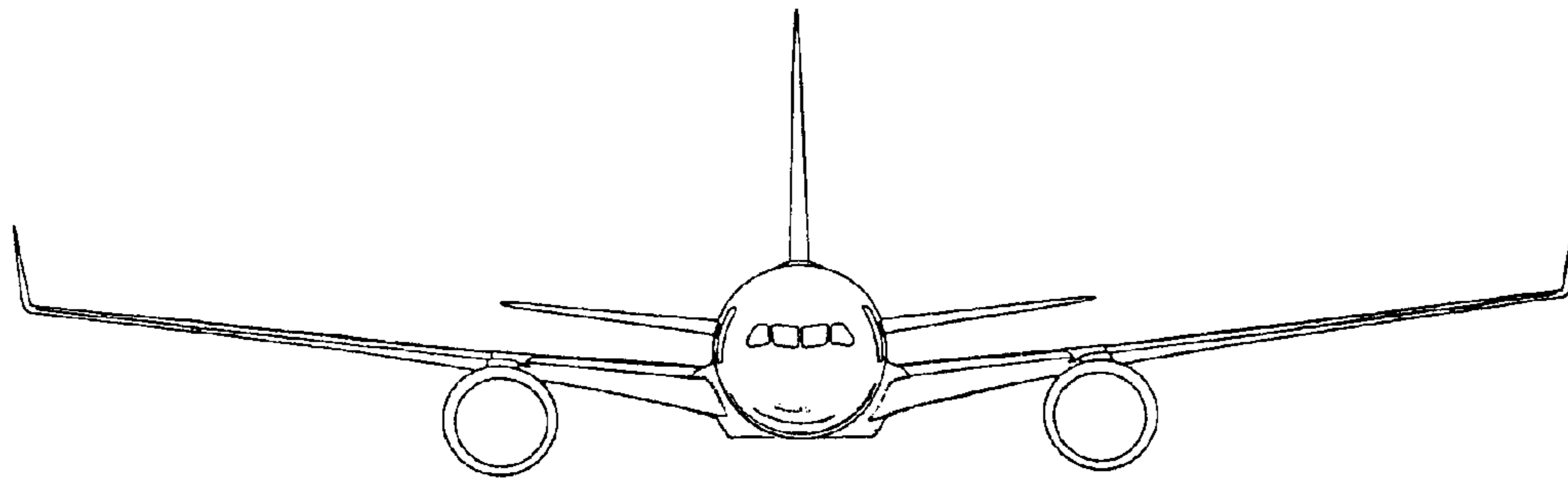


FIG. 4

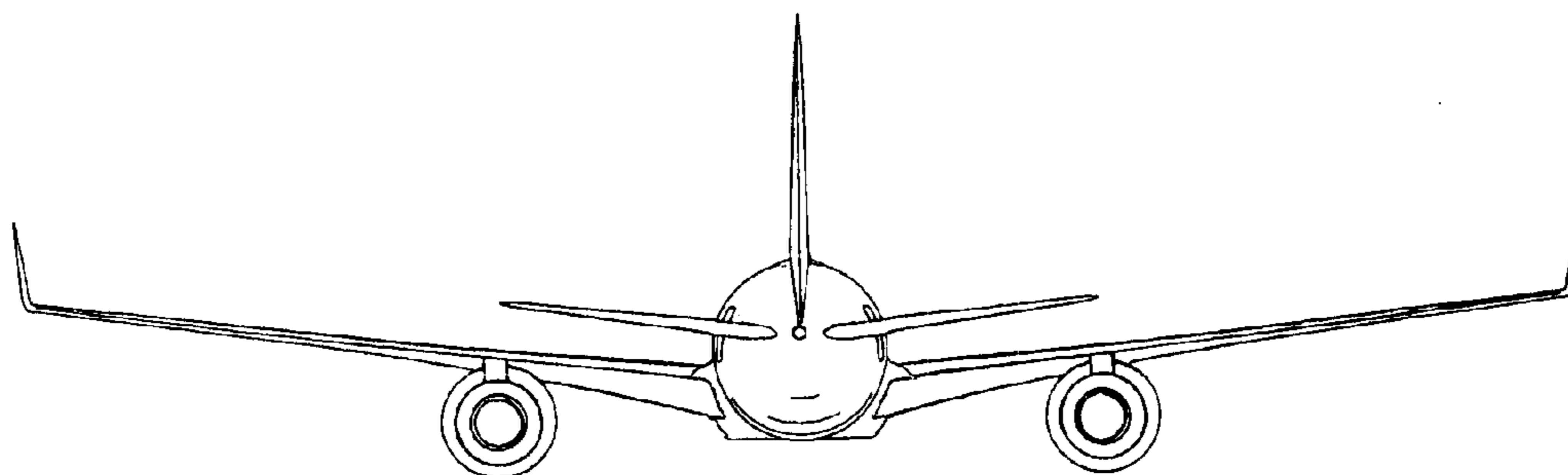


FIG. 5

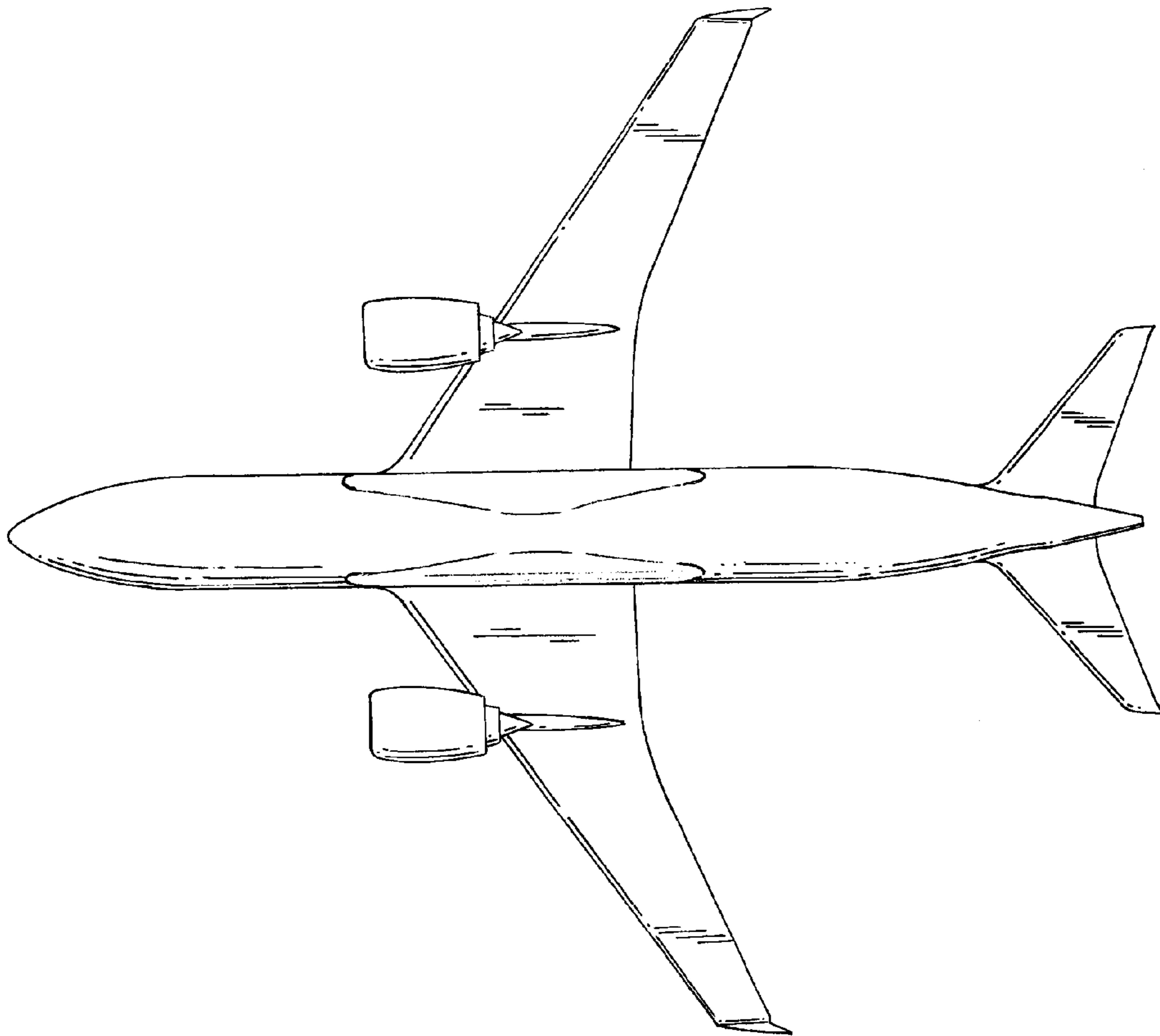


FIG. 6