

US00D515009S

(12) **United States Design Patent**
Stepp

(10) **Patent No.:** **US D515,009 S**

(45) **Date of Patent:** **** Feb. 14, 2006**

(54) **SWIM PLATFORM COVER FOR A BOAT**

(75) Inventor: **Steve Stepp**, Lake Mary, FL (US)

(73) Assignee: **Stagecoach Adventures, Inc.**, Carson City, NV (US)

(**) Term: **14 Years**

(21) Appl. No.: **29/220,387**

(22) Filed: **Dec. 28, 2004**

(51) **LOC (8) Cl.** **12-06**

(52) **U.S. Cl.** **D12/317**

(58) **Field of Classification Search** D12/300,
D12/303, 307, 316, 317, 318; 114/343, 362
See application file for complete search history.

(56) **References Cited**

U.S. PATENT DOCUMENTS

D253,999	S	*	1/1980	Richards et al.	D12/317
4,495,883	A	*	1/1985	Hoy	114/343
4,669,414	A	*	6/1987	Molino	114/343
D312,440	S	*	11/1990	Svensson	D12/182
5,025,747	A	*	6/1991	Grayson	114/362
5,170,740	A	*	12/1992	Rottschafer	114/362
5,613,462	A	*	3/1997	Schwartz	114/362
5,632,224	A	*	5/1997	Schneider	114/632
2003/0041792	A1	*	3/2003	Besenzoni	114/362

* cited by examiner

Primary Examiner—Holly H. Baynham

Assistant Examiner—Cynthia M. Chin

(74) *Attorney, Agent, or Firm*—Michael L. Leetzow, P.A.

(57) **CLAIM**

The ornamental design for a swim platform cover for a boat, as shown and described.

DESCRIPTION

FIG. 1 is a right perspective view of a swim platform cover for a boat showing my new design, the swim platform being in a closed configuration;

FIG. 2 is a perspective view from the left rearward side of the swim platform cover for a boat shown in FIG. 1 in a slightly opened position;

FIG. 3 is a perspective view from the left rearward side of the swim platform cover for a boat shown in FIG. 1 in a partially opened position;

FIG. 4 is a perspective view from the left front side of the swim platform cover for a boat shown in FIG. 3;

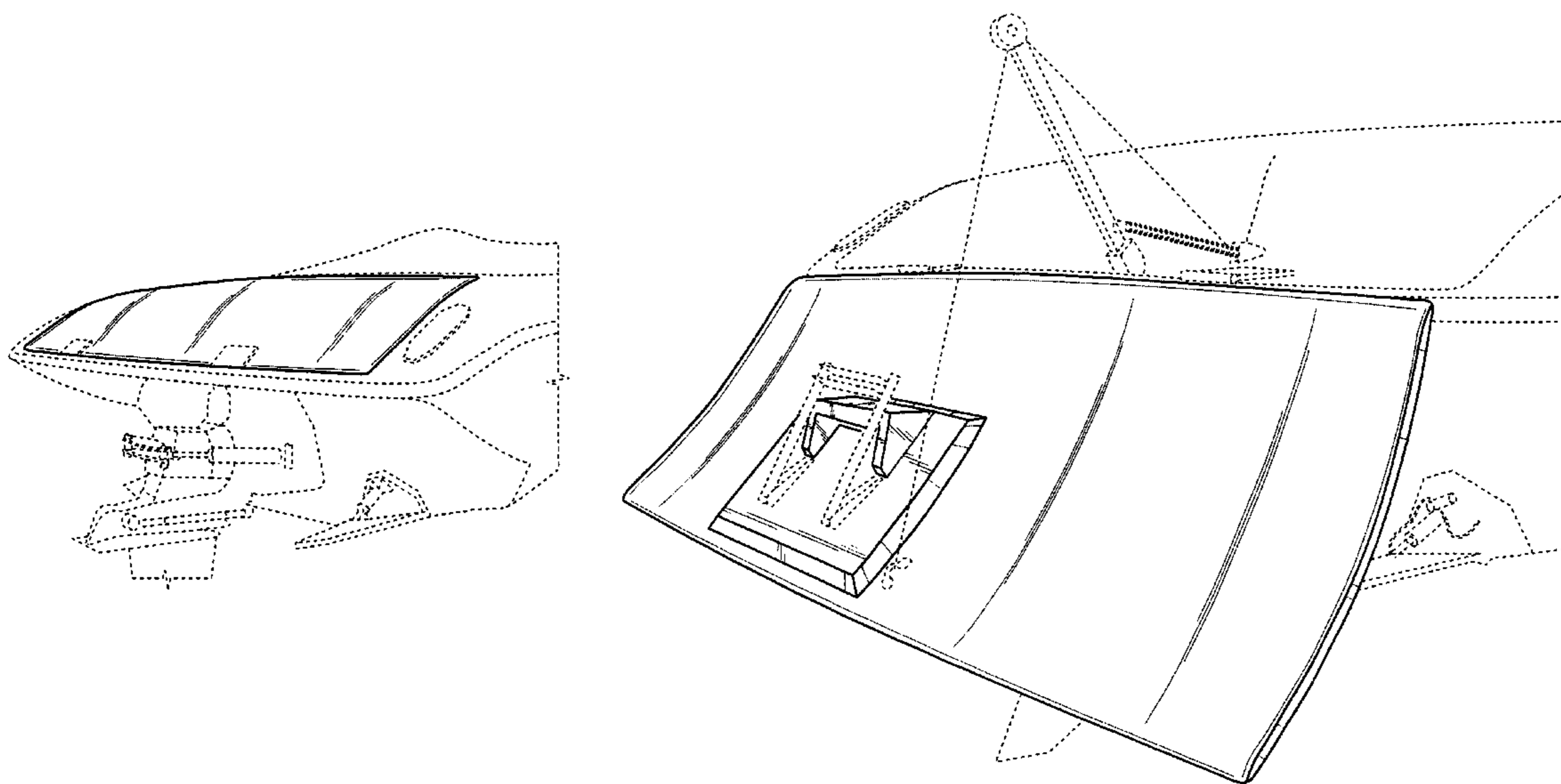
FIG. 5 is an enlarged right side view of the swim platform cover for a boat shown in FIG. 1 in an almost fully open position;

FIG. 6 is an enlarged perspective view from the right rearward side of the swim platform cover for a boat shown in FIG. 1 in a fully opened position; and,

FIG. 7 is a right side view of the swim platform cover for a boat in FIG. 6.

The broken line illustrations in the drawing figures of the boat, ladder, and support arm are for illustrative purposes only and form no part of the claimed design.

1 Claim, 5 Drawing Sheets



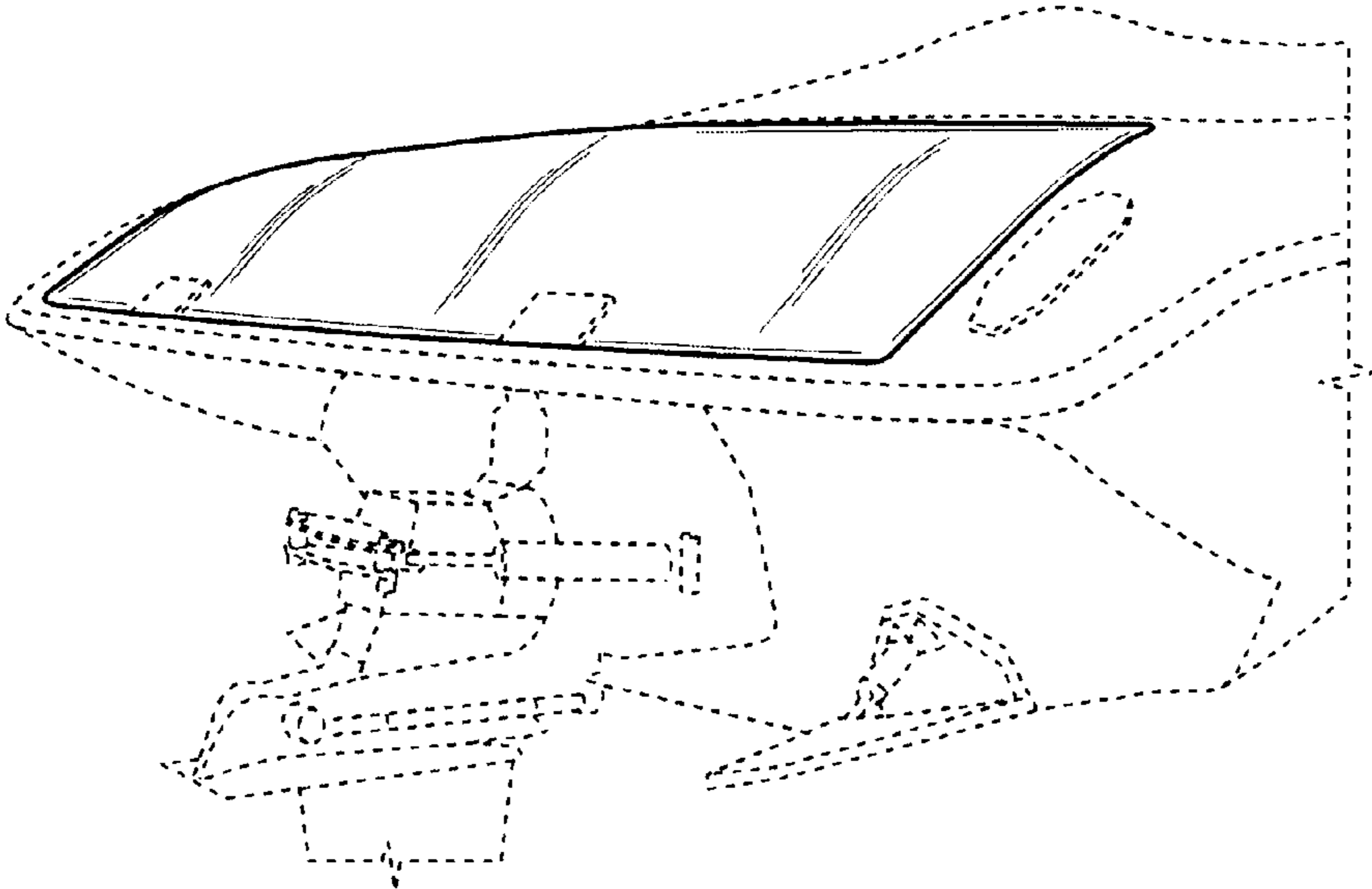


Fig. 1

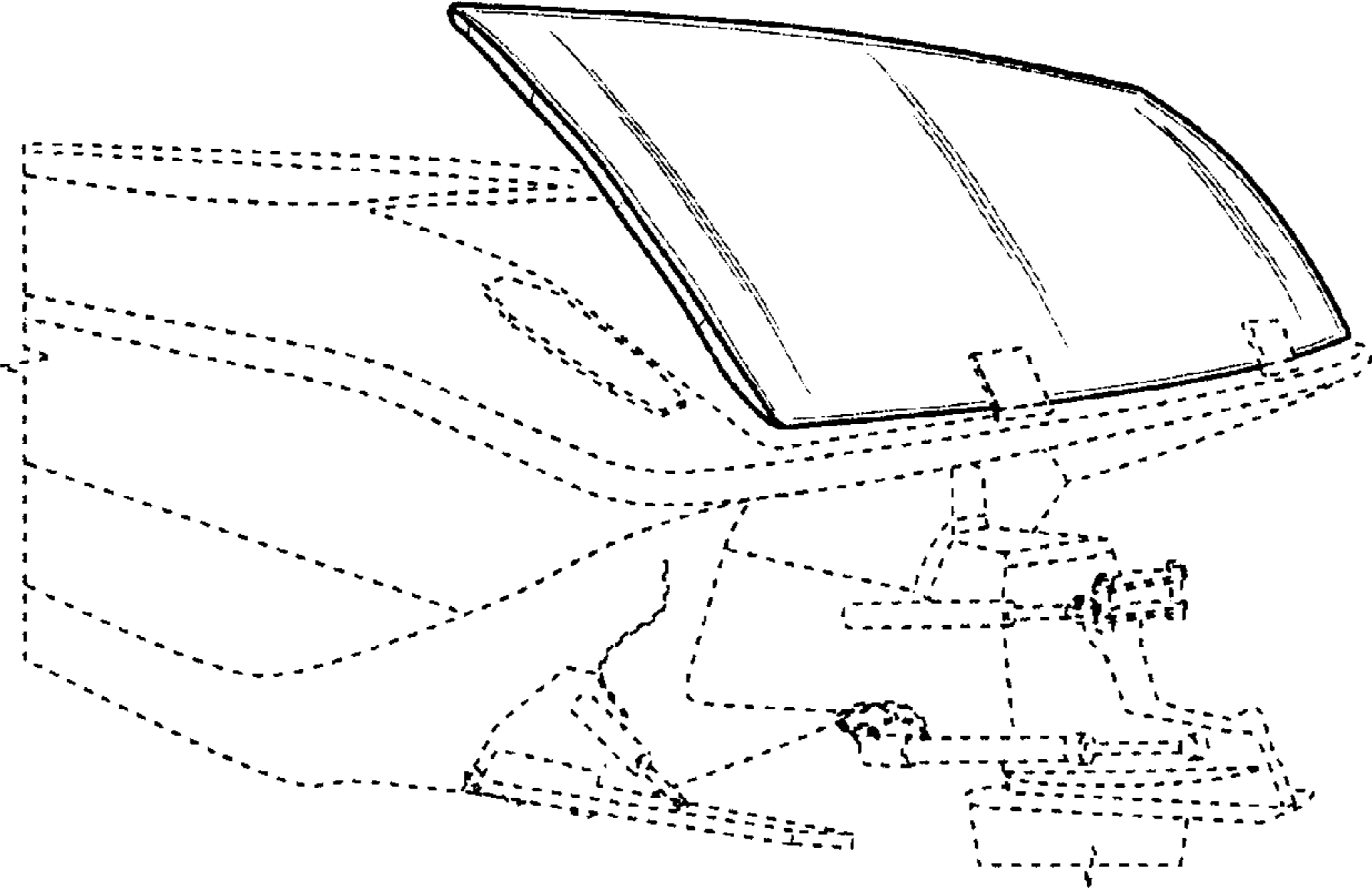


Fig. 2

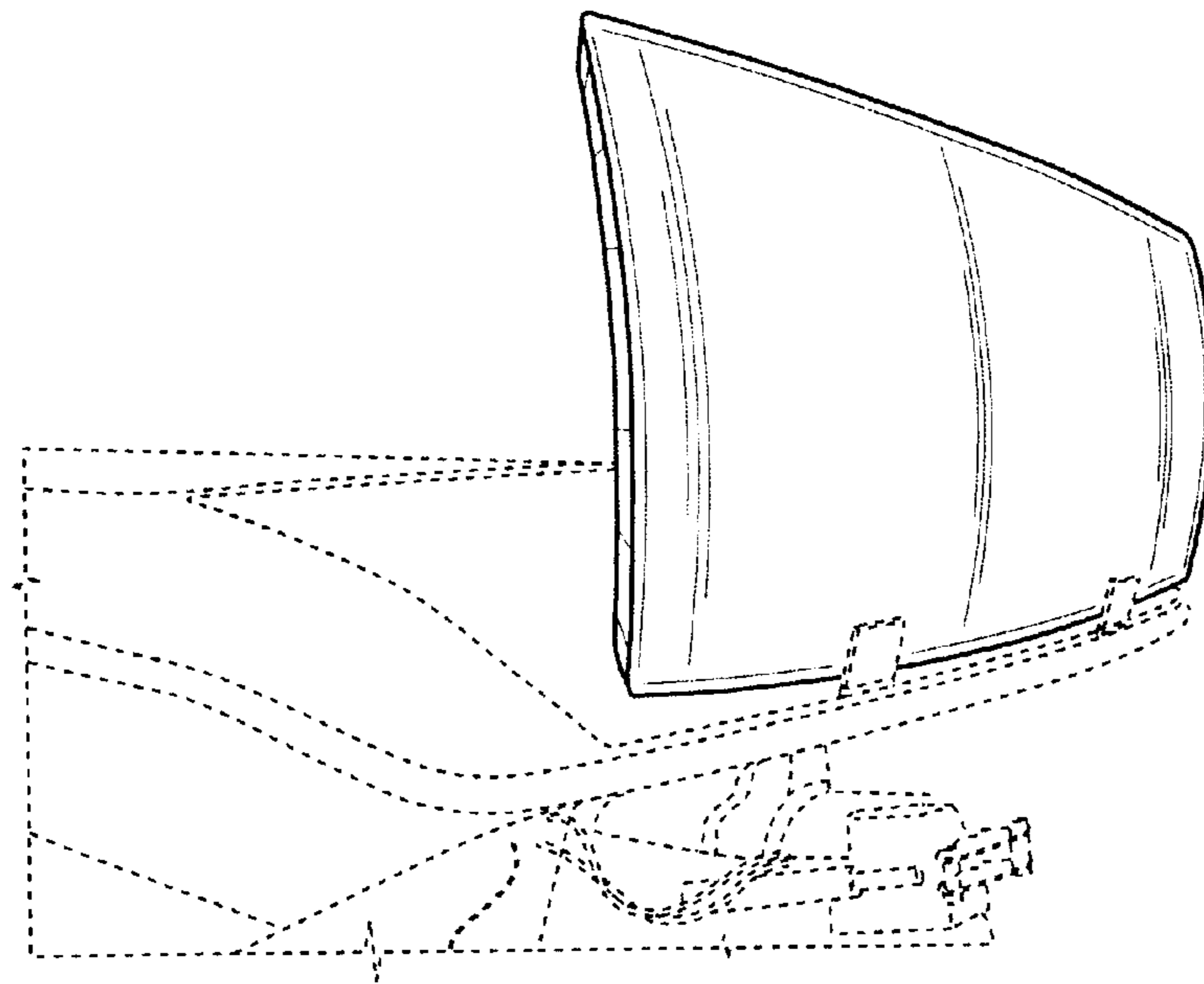


Fig. 3

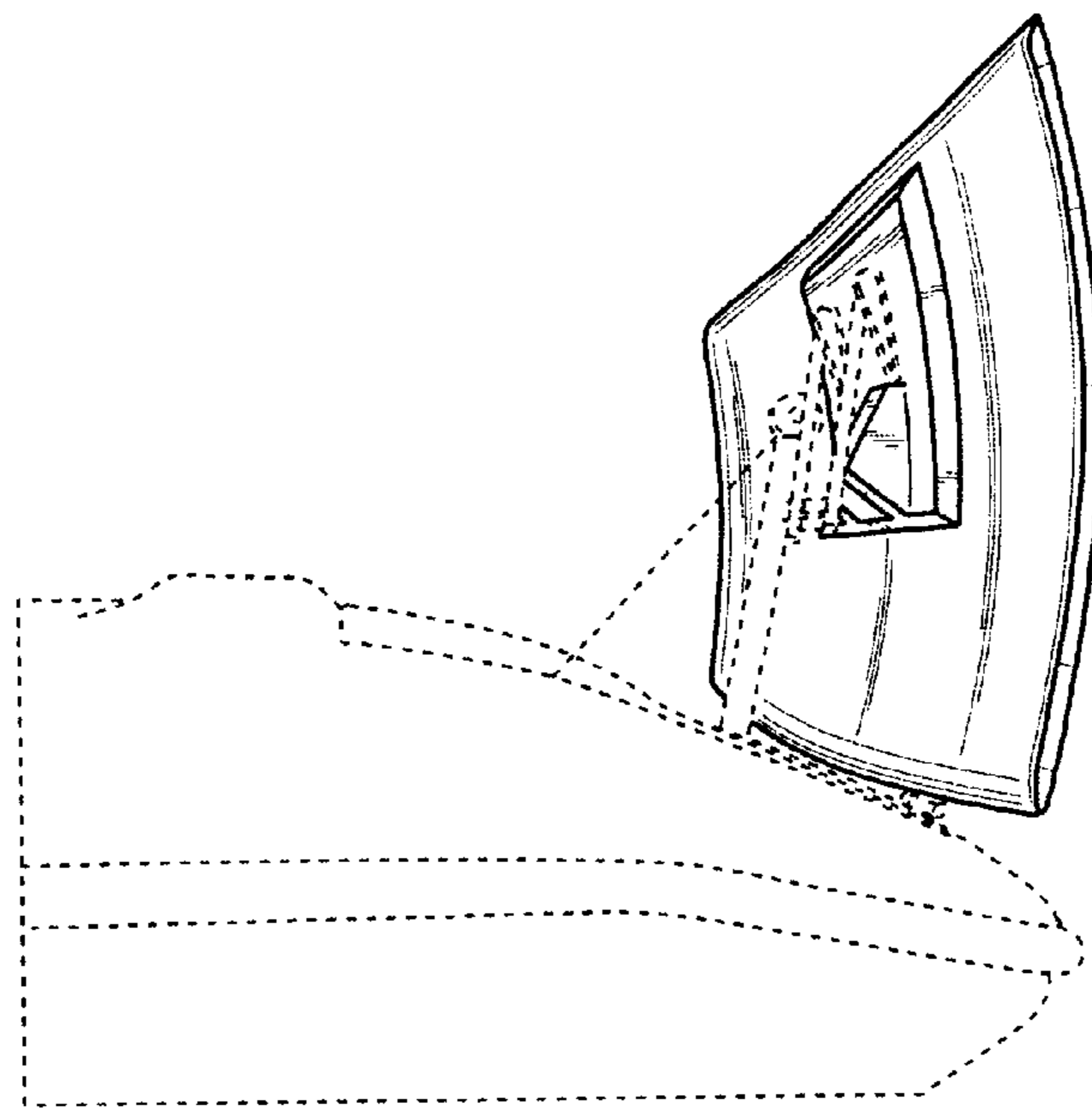


Fig. 4

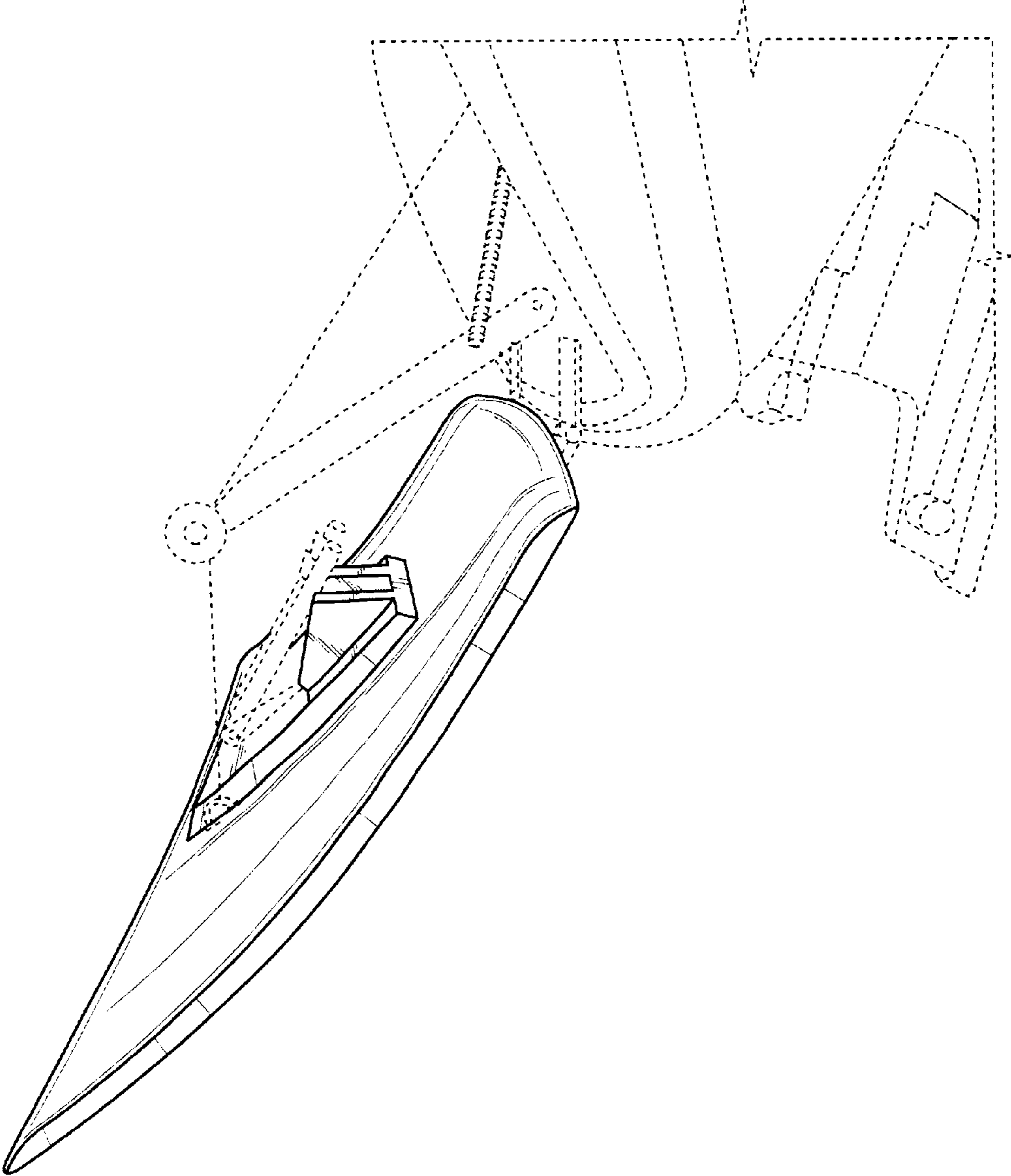


Fig. 5

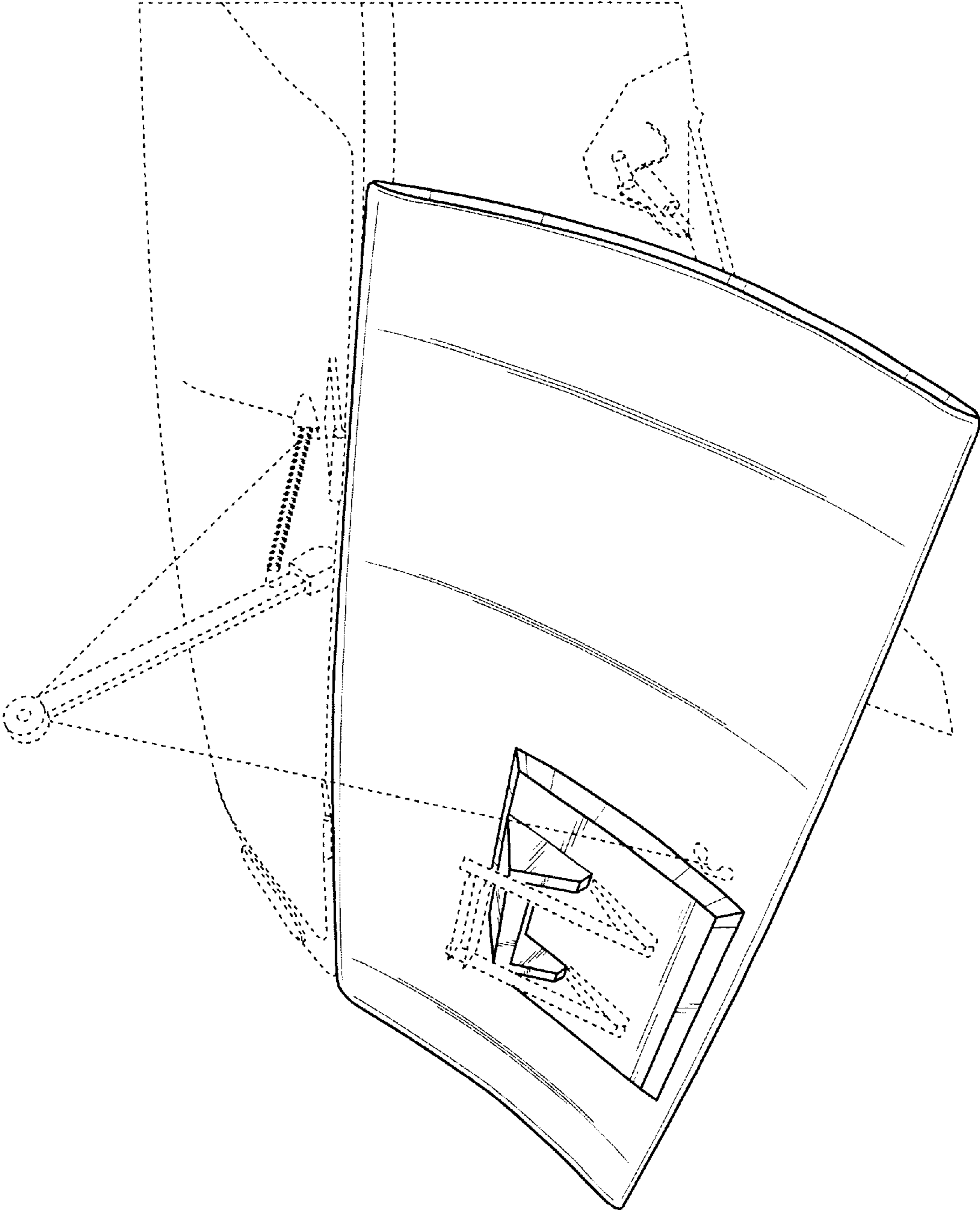


Fig. 6

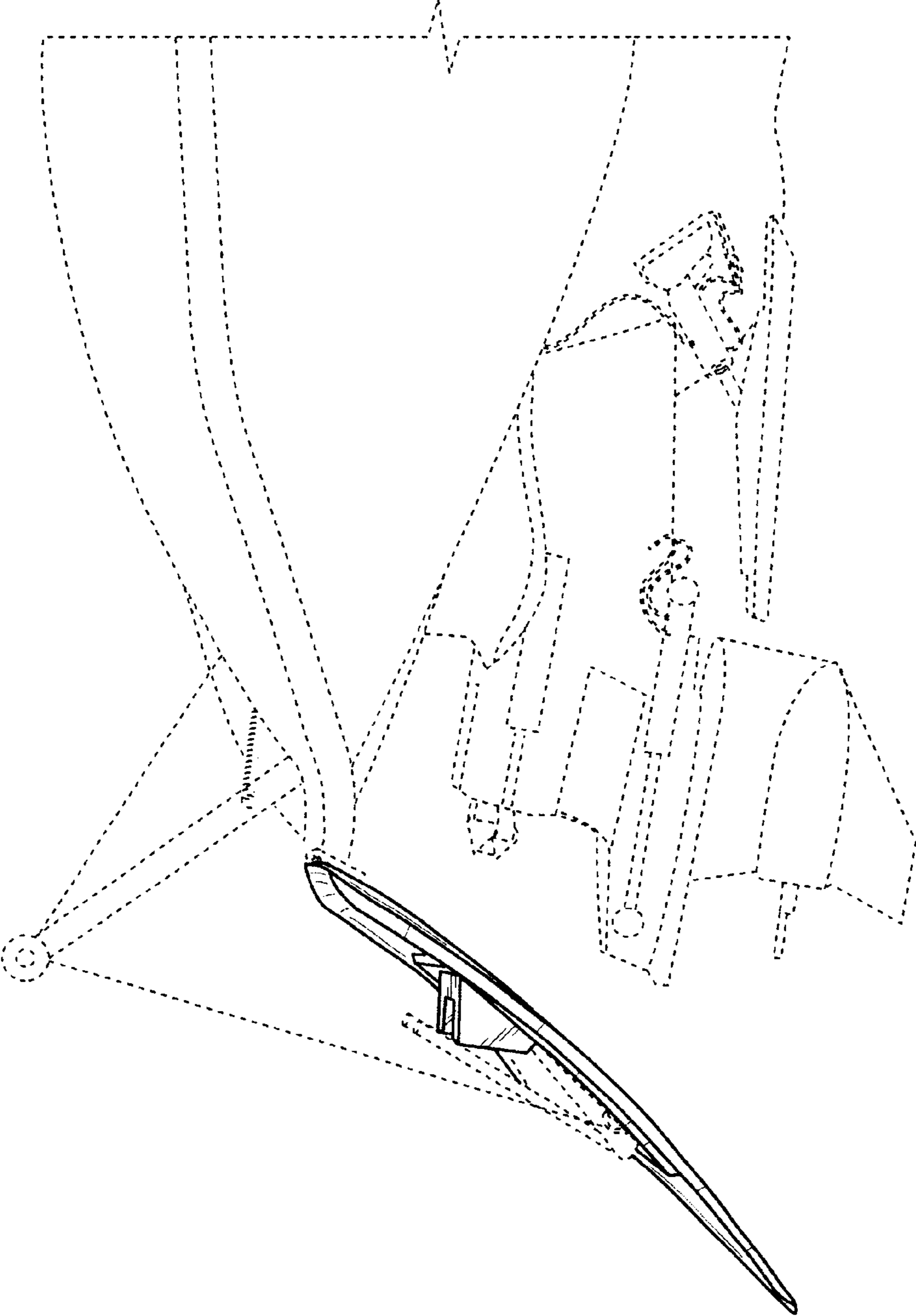


Fig. 7