



US00D515007S

(12) **United States Design Patent**
Mason

(10) **Patent No.:** **US D515,007 S**
(45) **Date of Patent:** **** Feb. 14, 2006**

(54) **PAIR OF MOTORCYCLE TANK LIFTS**

(57) **CLAIM**

(76) **Inventor:** **Victor A. Mason**, 24291 Elm Creek Rd., Moreno Valley, CA (US) 92557

The ornamental design for a pair of motorcycle tank lifts, as shown and described.

(**) **Term:** **14 Years**

DESCRIPTION

(21) **Appl. No.:** **29/178,470**

FIG. 1 is a rear exploded view of the pair of motorcycle tank lifts, shown in a position of use.

(22) **Filed:** **Mar. 26, 2003**

FIG. 2 is a side view of the pair of motorcycle tank lifts, it being understood that the side view of the second of the pair of motorcycle tank lifts is identical.

(51) **LOC (8) Cl.** **12-06**

(52) **U.S. Cl.** **D12/223**

(58) **Field of Classification Search** **D12/223,**
D12/110, 114, 218; 180/219, 311, 69.4; 280/288.4,
280/833-835; D8/396

FIG. 3 is a side view of one of the pair of motorcycle tank lifts on a reduced scale and shown in a position of use.

FIG. 4 is an enlarged, detailed view of FIG. 3.

See application file for complete search history.

FIG. 5 is a side view of one of the pair of motorcycle tank lifts similar to FIG. 3, showing the environmental tank in fully lifted condition; and,

FIG. 6 is an enlarged, detailed view of FIG. 5.

(56) **References Cited**

U.S. PATENT DOCUMENTS

3,944,009 A * 3/1976 Katagiri 180/219
D257,122 S * 9/1980 Price D8/396

The broken lines shown in the drawing figures are for illustrative purposes only and form no part of the claimed design. Both of the tank lifts of the pair of motorcycle tank lifts are identical to each other. Only one tank lift of the pair of motorcycle tank lifts is shown in FIGS. 2-5 for ease of illustration.

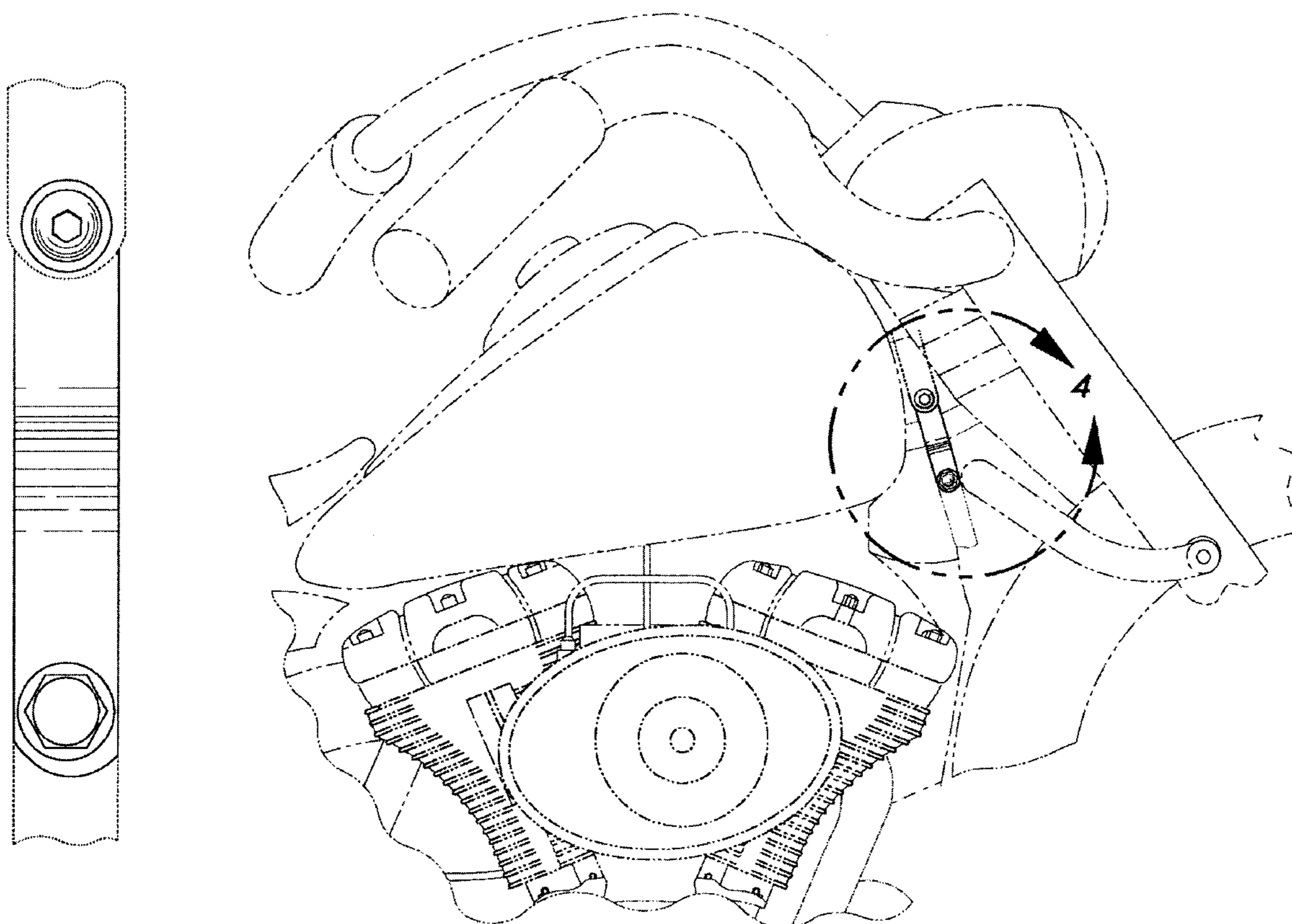
* cited by examiner

Primary Examiner—Alan P. Douglas

Assistant Examiner—Linda Brooks

(74) *Attorney, Agent, or Firm*—Liner Yankelevitz Sunshine & Regenstreif

1 Claim, 3 Drawing Sheets



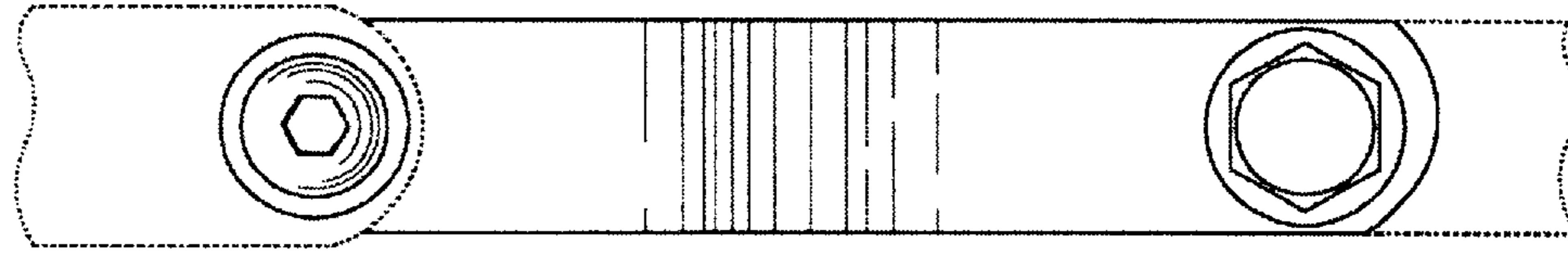


FIG. 2

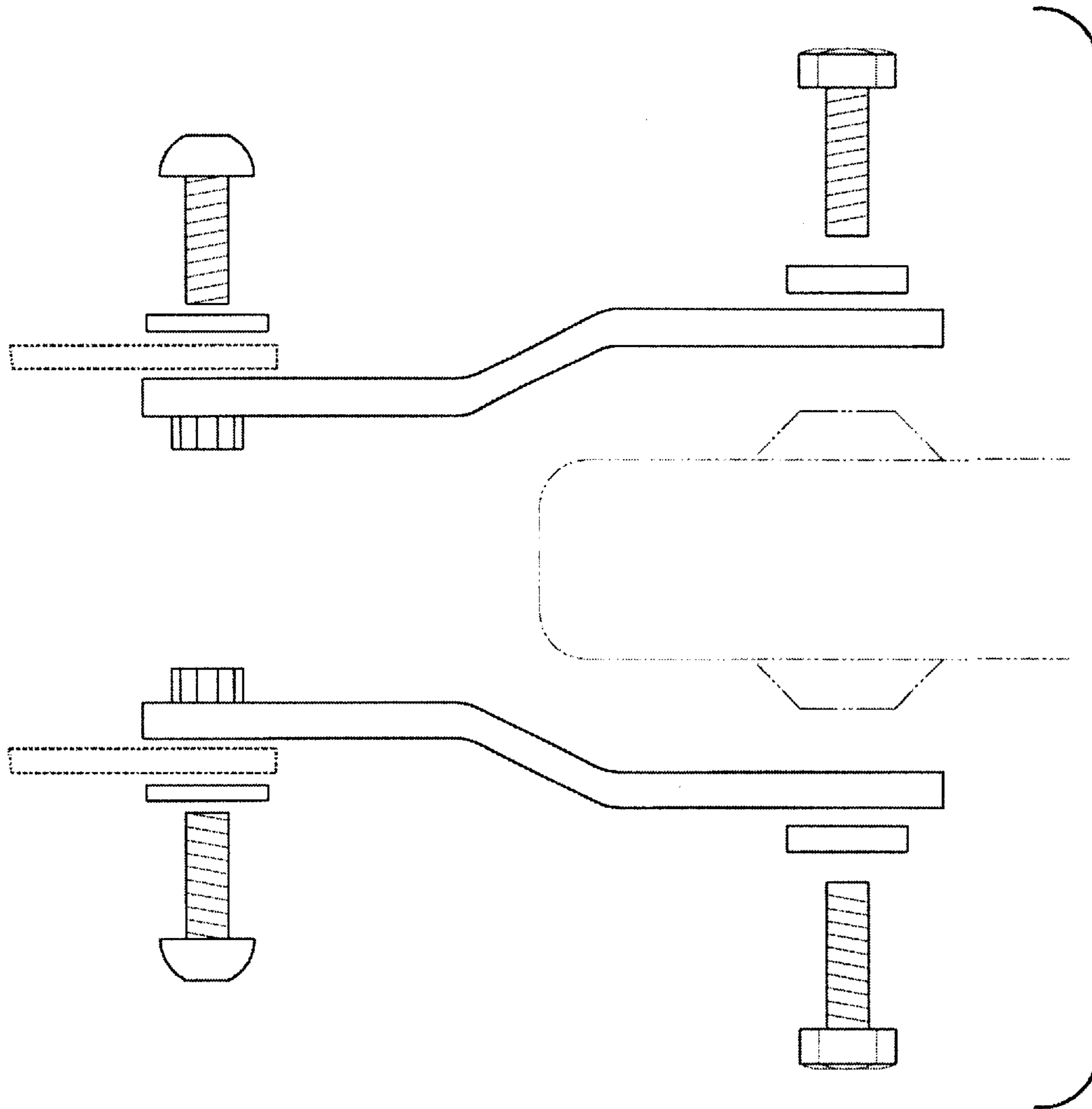


FIG. 1

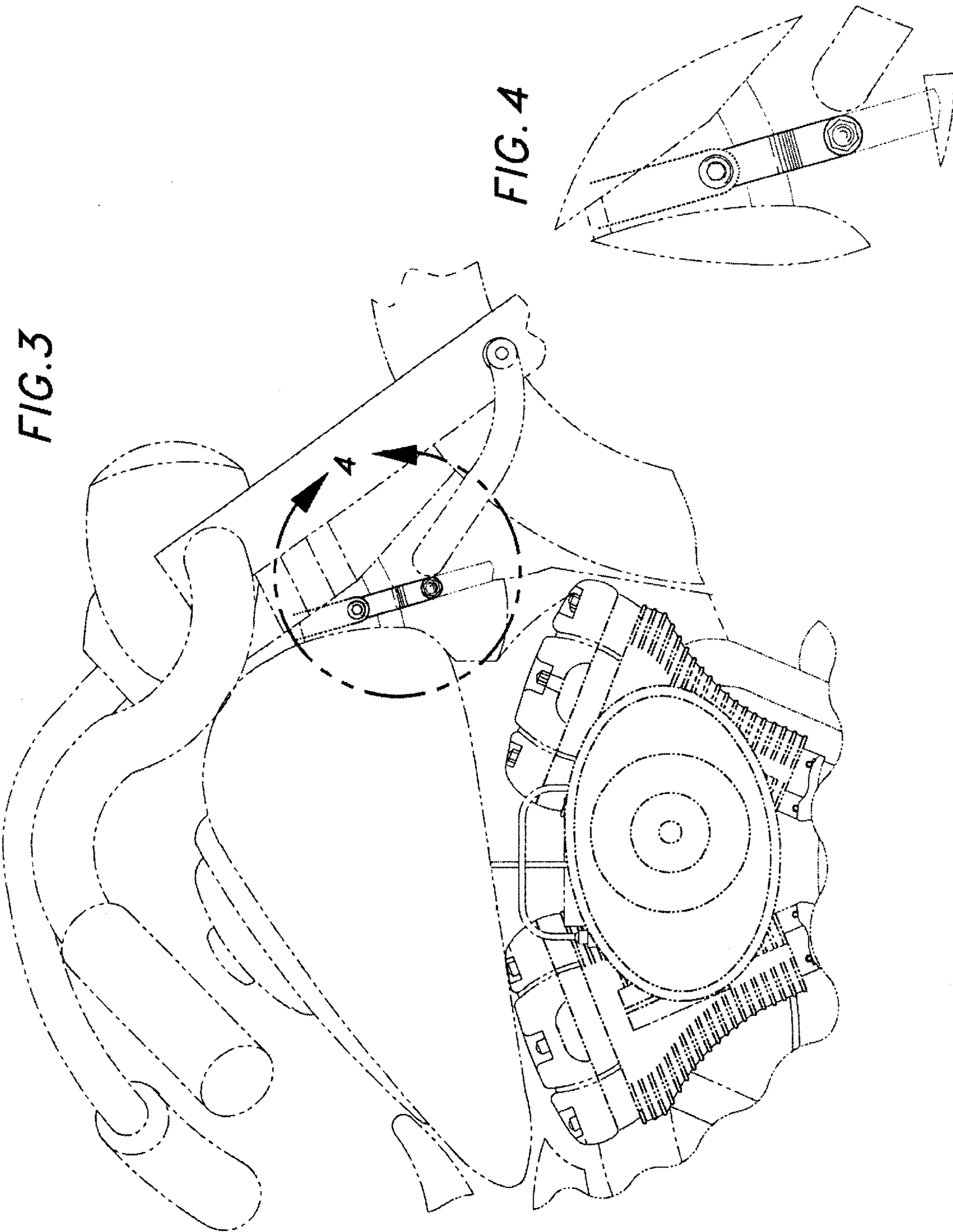


FIG. 5

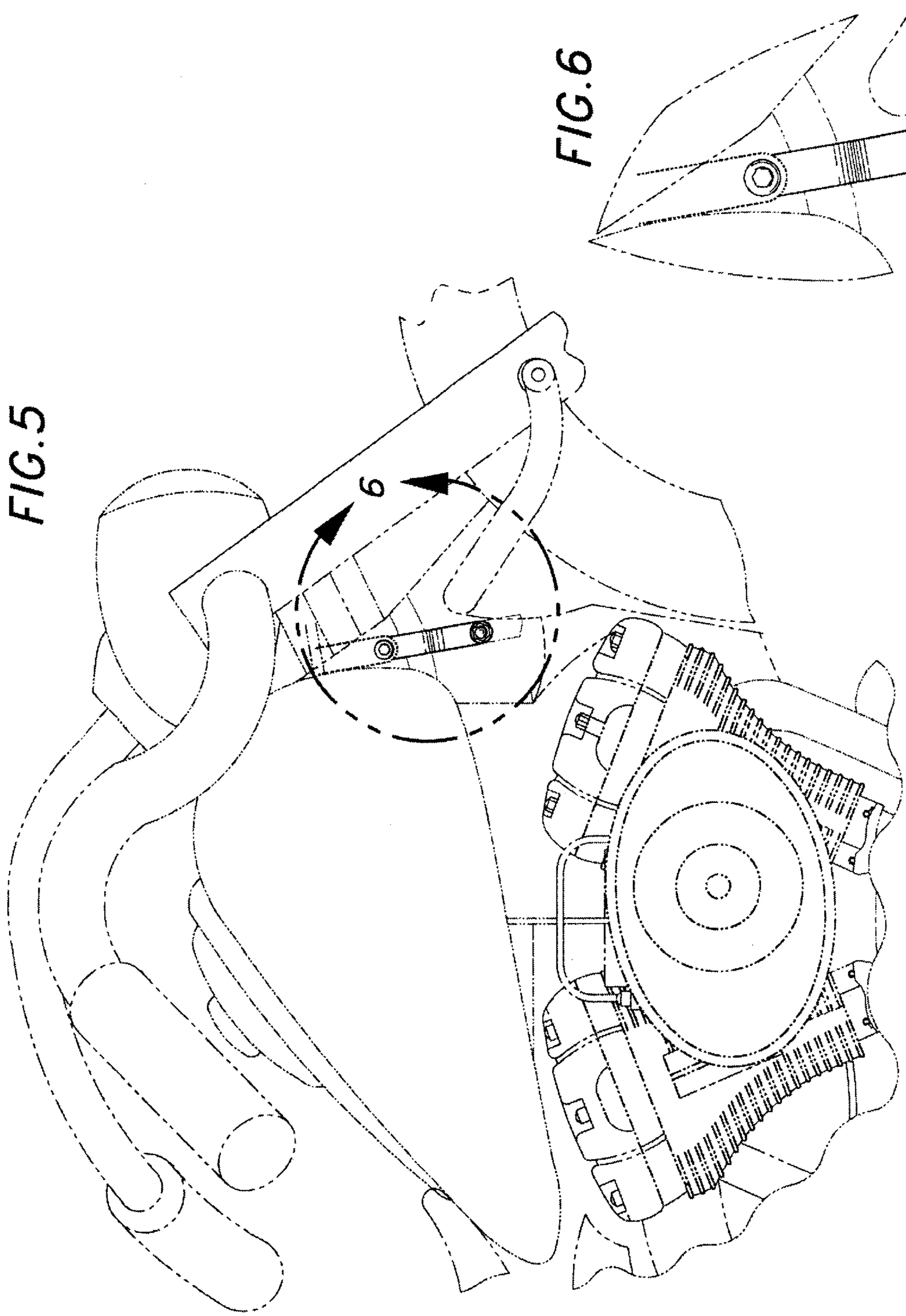


FIG. 6

