



US00D515004S

(12) **United States Design Patent**
Scheu

(10) **Patent No.:** **US D515,004 S**

(45) **Date of Patent:** **** Feb. 14, 2006**

(54) **FRONT FACE OF A VEHICLE WHEEL**

(75) **Inventor:** **Armin Scheu, Stuttgart (DE)**

(73) **Assignee:** **DaimlerChrysler AG, Stuttgart (DE)**

(**) **Term:** **14 Years**

(21) **Appl. No.:** **29/227,042**

(22) **Filed:** **Apr. 6, 2005**

(30) **Foreign Application Priority Data**

Oct. 27, 2004 (DE) 40406110

(51) **LOC (8) Cl.** **12-16**

(52) **U.S. Cl.** **D12/211**

(58) **Field of Classification Search** D12/204-213;
301/37.101, 64.101, 65

See application file for complete search history.

(56) **References Cited**

U.S. PATENT DOCUMENTS

- D441,709 S * 5/2001 Vian D12/211
- D466,068 S * 11/2002 Maifrini D12/211
- D477,266 S * 7/2003 Chung D12/211
- D480,031 S * 9/2003 Mattin et al. D12/209
- D486,116 S * 2/2004 Maifrini D12/211

- D492,238 S * 6/2004 Bernoni D12/211
- D500,727 S * 1/2005 Thompson D12/211
- D501,440 S * 2/2005 Pfeiffer D12/211
- D505,905 S * 6/2005 Walbey, Jr. D12/209

* cited by examiner

Primary Examiner—Stacia Cadmus

(74) *Attorney, Agent, or Firm*—Crowell & Moring LLP

(57) **CLAIM**

The ornamental design for a front face of a vehicle wheel, as shown and described.

DESCRIPTION

FIG. 1 is a front view of a first embodiment of a front face of a vehicle wheel according to my novel design;

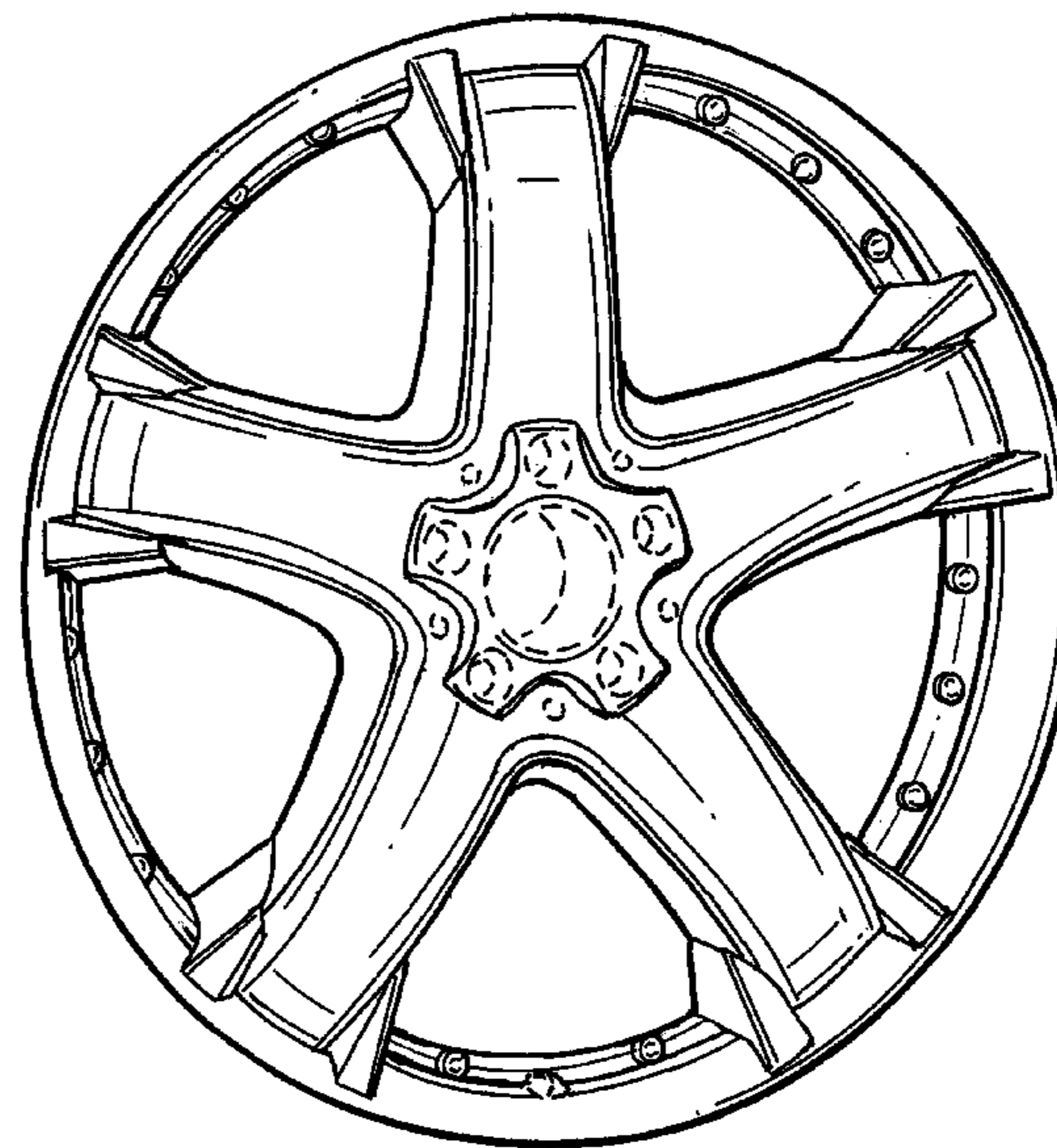
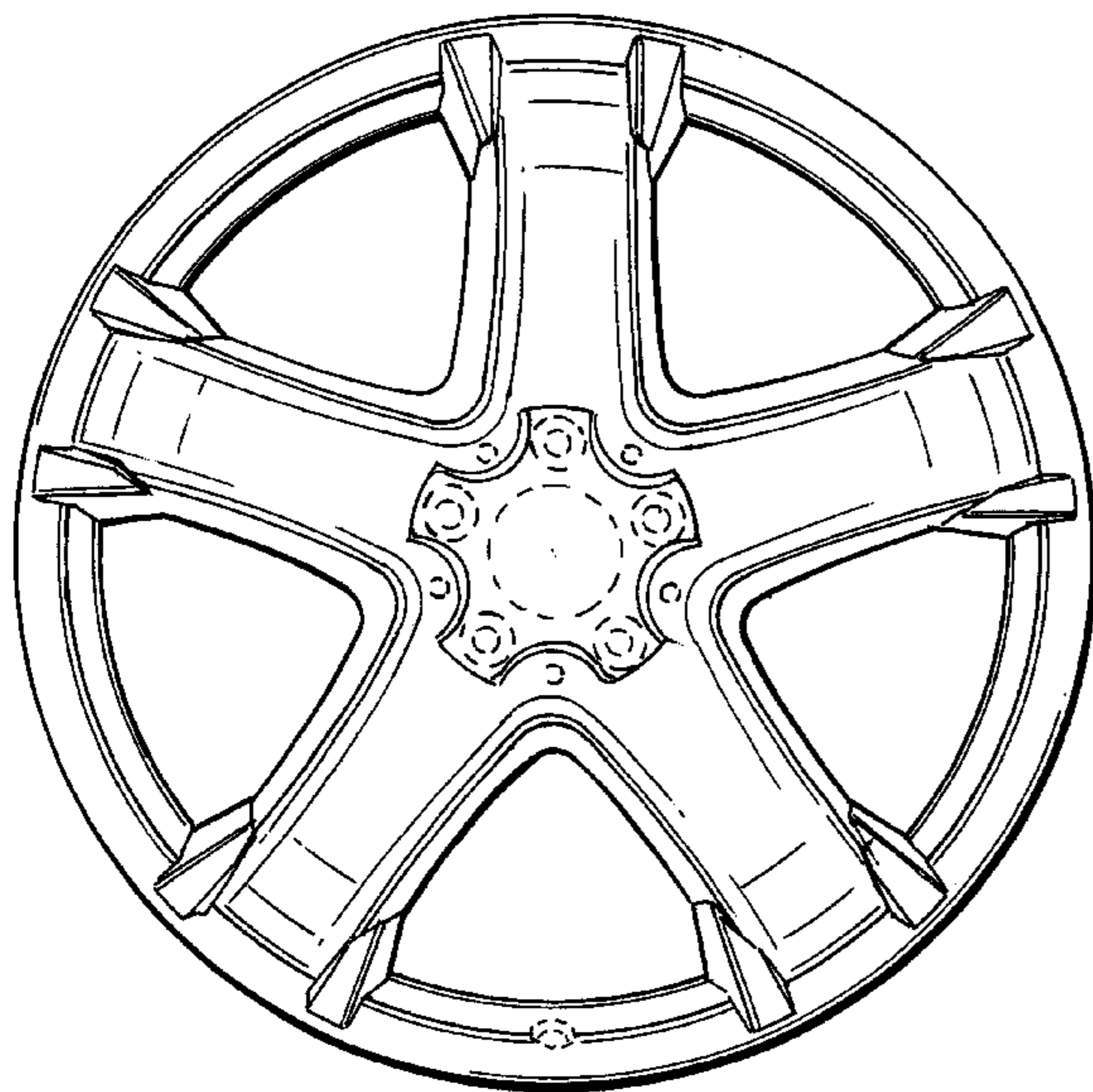
FIG. 2 is a perspective view of the first embodiment of the front face of a vehicle wheel according to my novel design;

FIG. 3 is a front view of a second embodiment of the front face of a vehicle wheel according to my novel design; and,

FIG. 4 is a perspective view of the second embodiment of the front face of a vehicle wheel according to my novel design.

The broken lines are for illustrative purposes only and form no part of the claimed design.

1 Claim, 2 Drawing Sheets



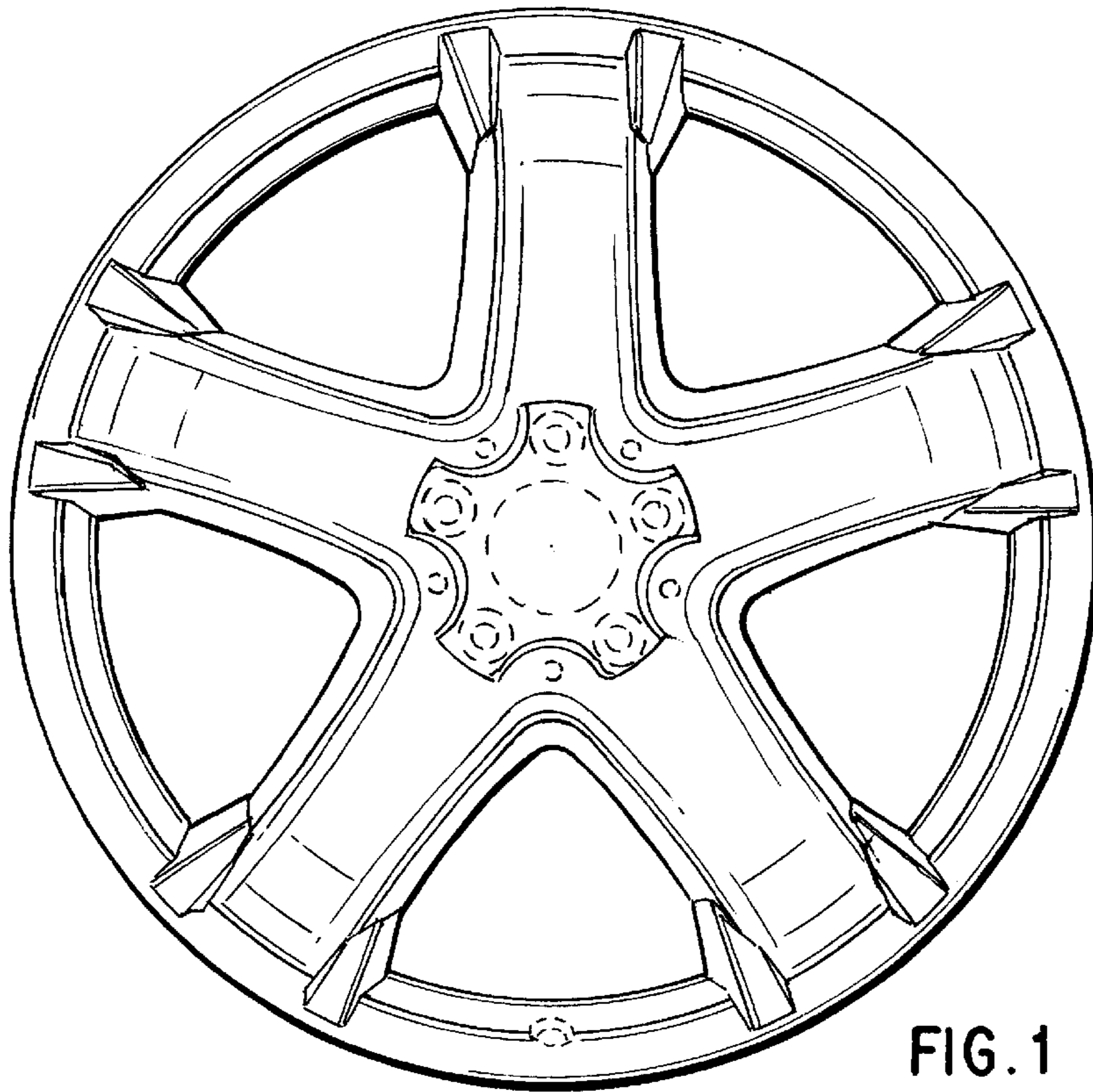


FIG. 1

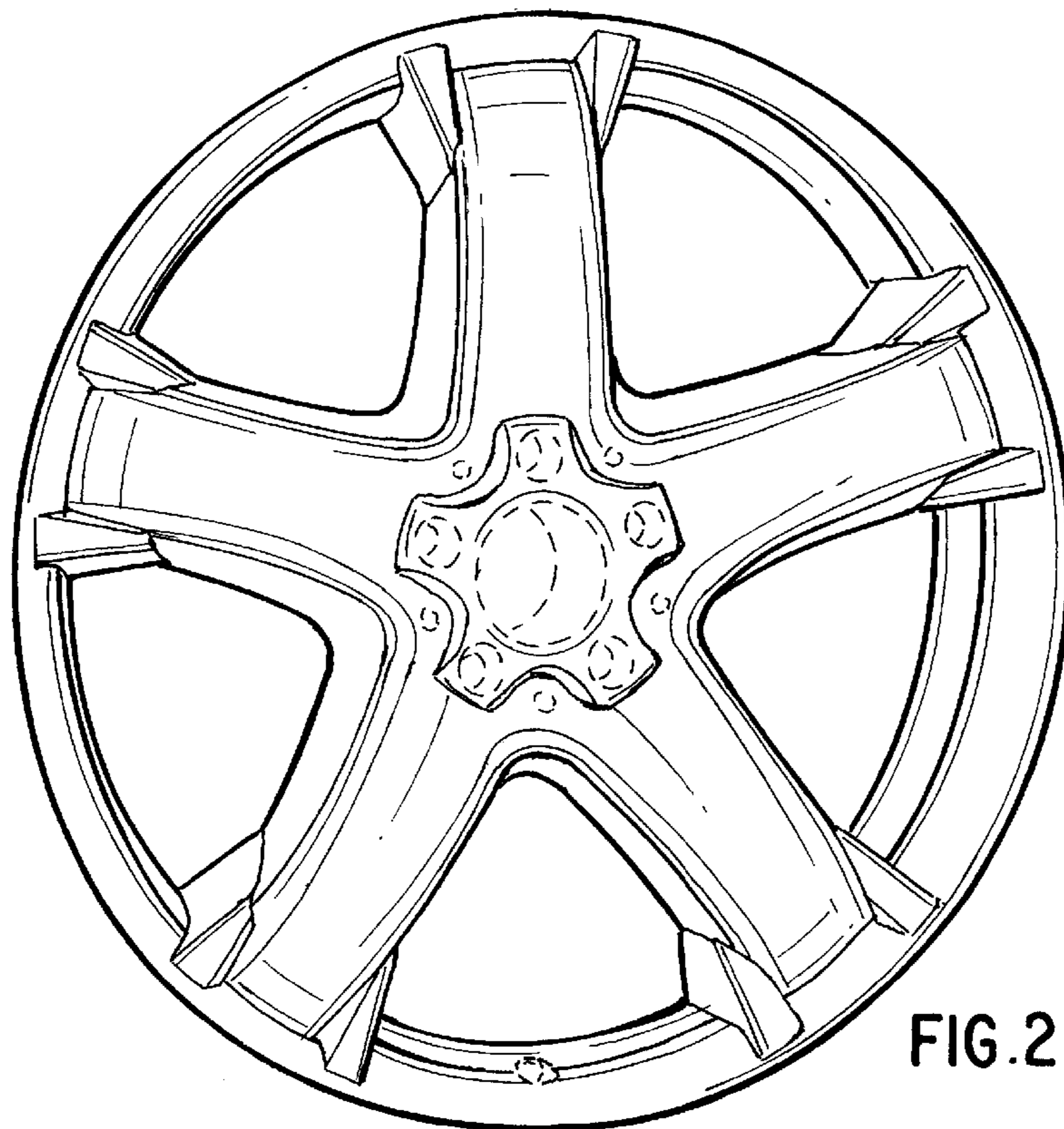


FIG. 2

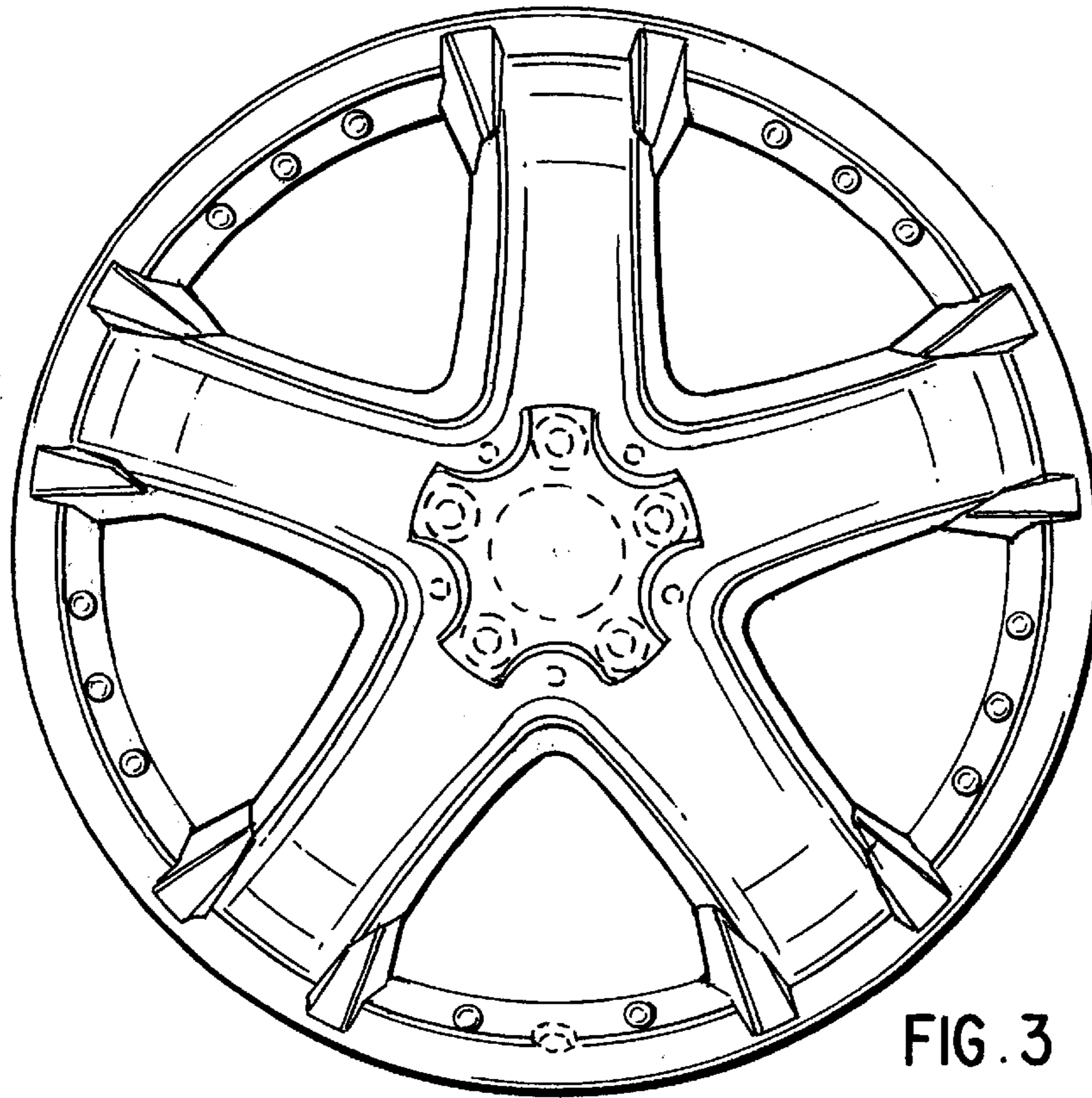


FIG. 3

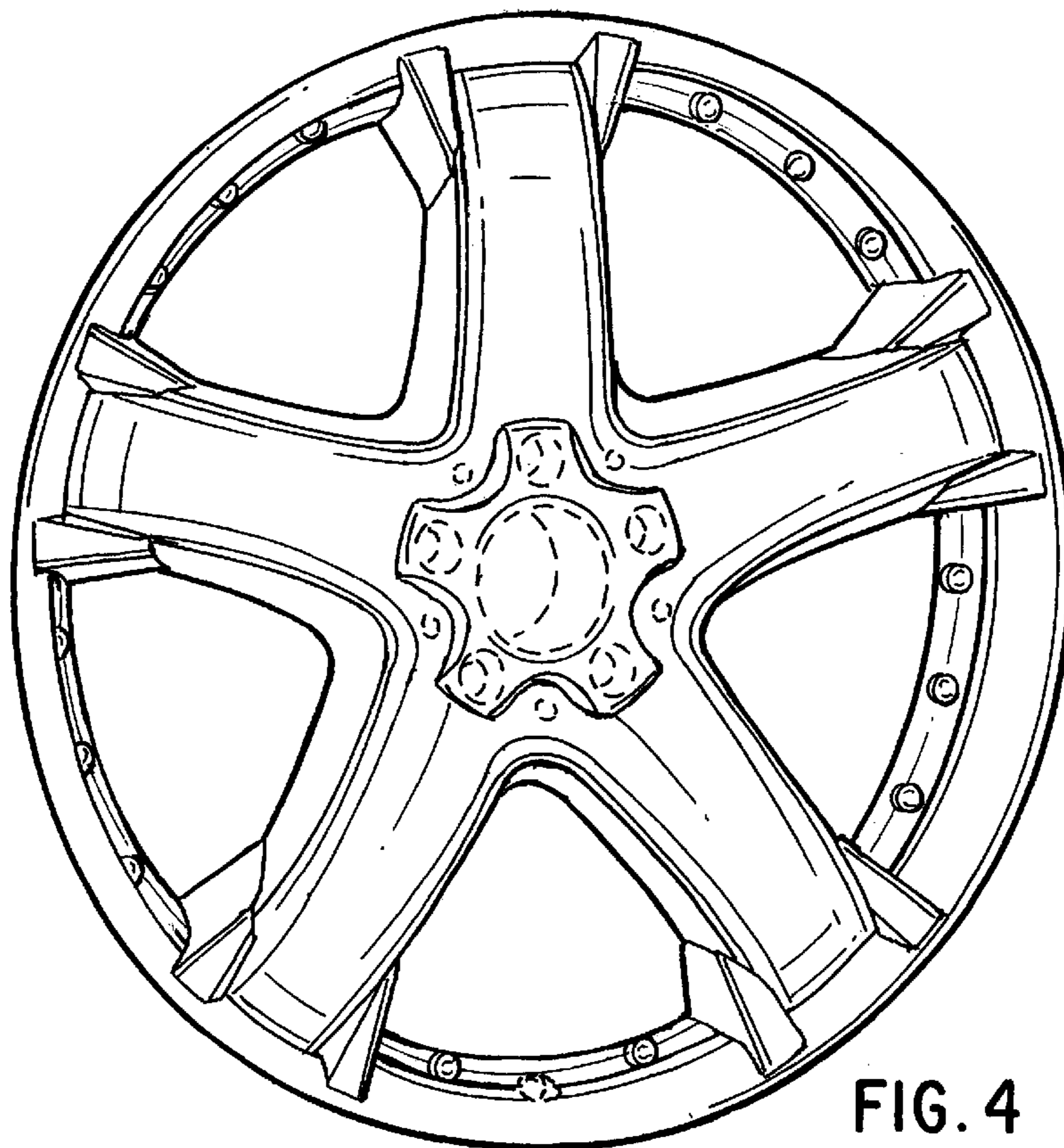


FIG. 4