



US00D515002S

(12) **United States Design Patent**  
**Looho**

(10) **Patent No.:** **US D515,002 S**

(45) **Date of Patent:** **\*\* Feb. 14, 2006**

(54) **VEHICLE WHEEL**

D451,465 S \* 12/2001 Donikoglu ..... D12/210  
D492,925 S \* 7/2004 Fitzgerald ..... D12/210

(75) Inventor: **Justinus Looho**, Surabaya (ID)

\* cited by examiner

(73) Assignee: **PT Prima Alloy Steel Universal**,  
Sidoarjo (ID)

*Primary Examiner*—Stacia Cadmus  
(74) *Attorney, Agent, or Firm*—Fulwider Patton Lee &  
Utecht, LLP

(\*\*) Term: **14 Years**

(21) Appl. No.: **29/227,569**

(57) **CLAIM**

(22) Filed: **Apr. 13, 2005**

The ornamental design for the “vehicle wheel,” as shown  
and described.

(51) **LOC (8) Cl.** ..... **12-16**

(52) **U.S. Cl.** ..... **D12/210**

(58) **Field of Classification Search** ..... D12/204–213;  
301/37.101, 64.101, 65

See application file for complete search history.

**DESCRIPTION**

(56) **References Cited**

**U.S. PATENT DOCUMENTS**

D427,961 S \* 7/2000 Donikoglu ..... D12/210  
D430,094 S \* 8/2000 Hale, Jr. .... D12/210  
D436,910 S \* 1/2001 Hale, Jr. .... D12/210

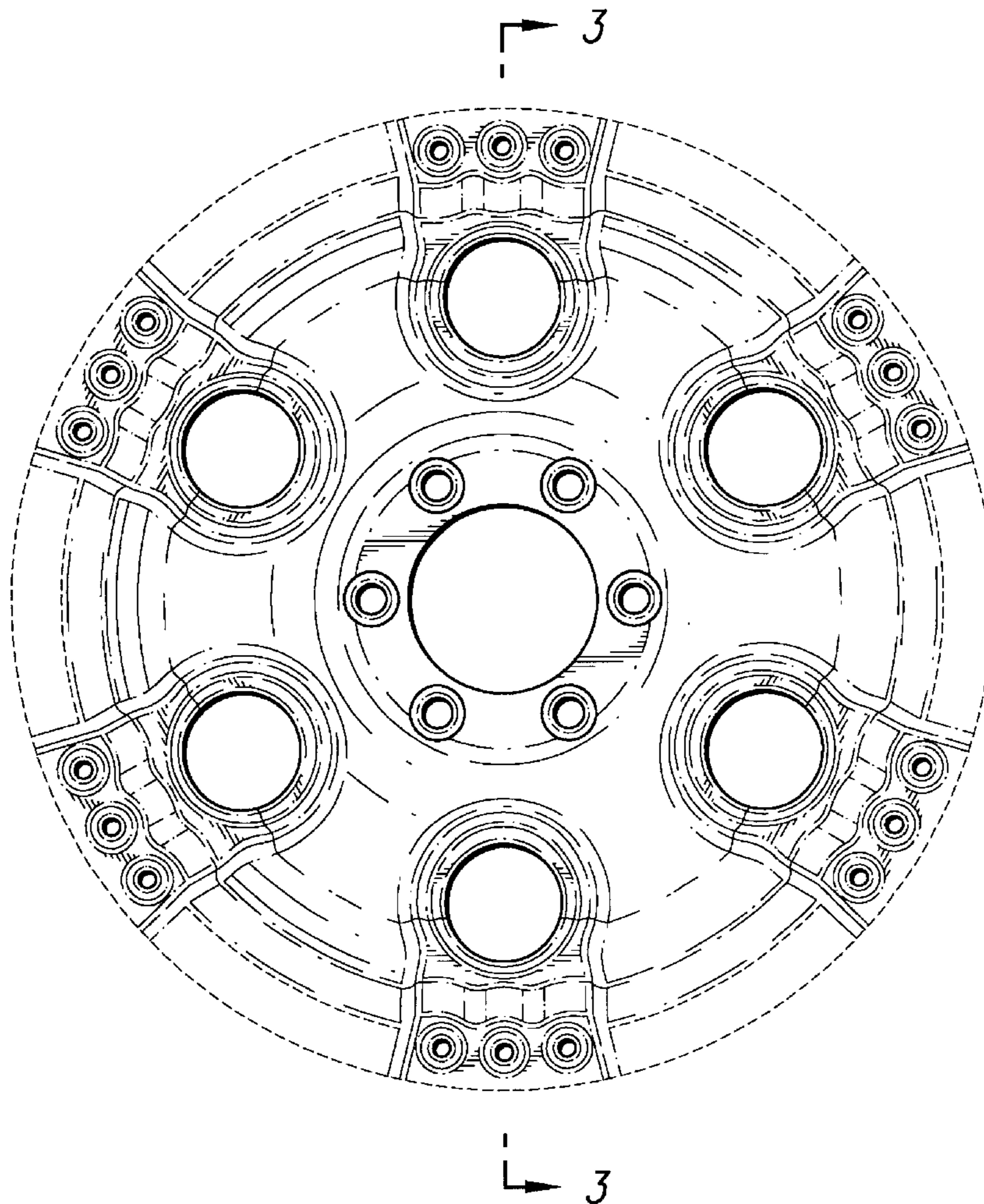
FIG. 1 is a perspective view of the vehicle wheel showing  
my new design;

FIG. 2 is a front elevational view thereof; and,

FIG. 3 is a cross-sectional view taken along the lines of **3—3**  
of FIG. 2.

The broken line showing of environment is for illustrative  
purposes only and forms no part of the claimed design.

**1 Claim, 3 Drawing Sheets**



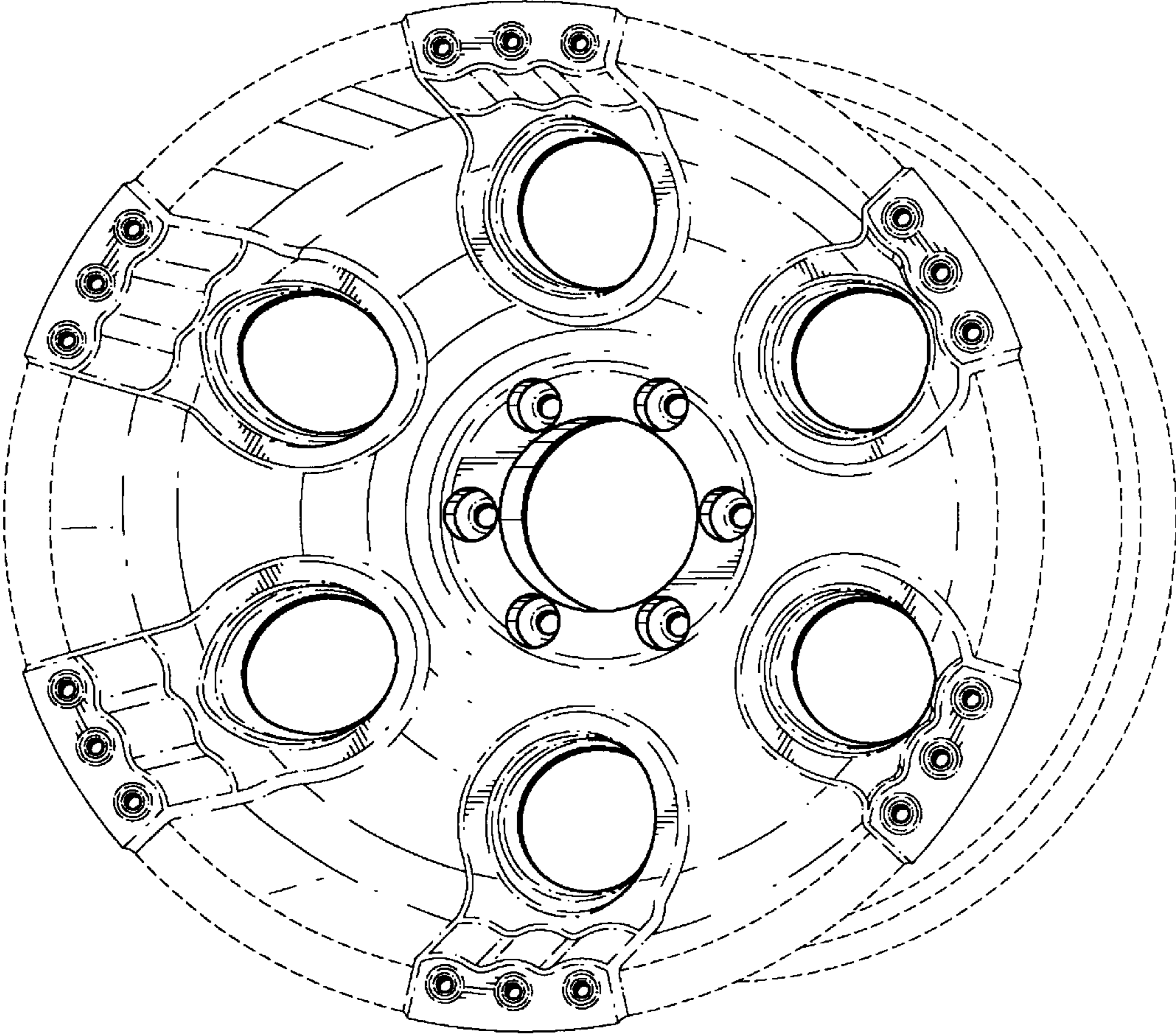


FIG. 1

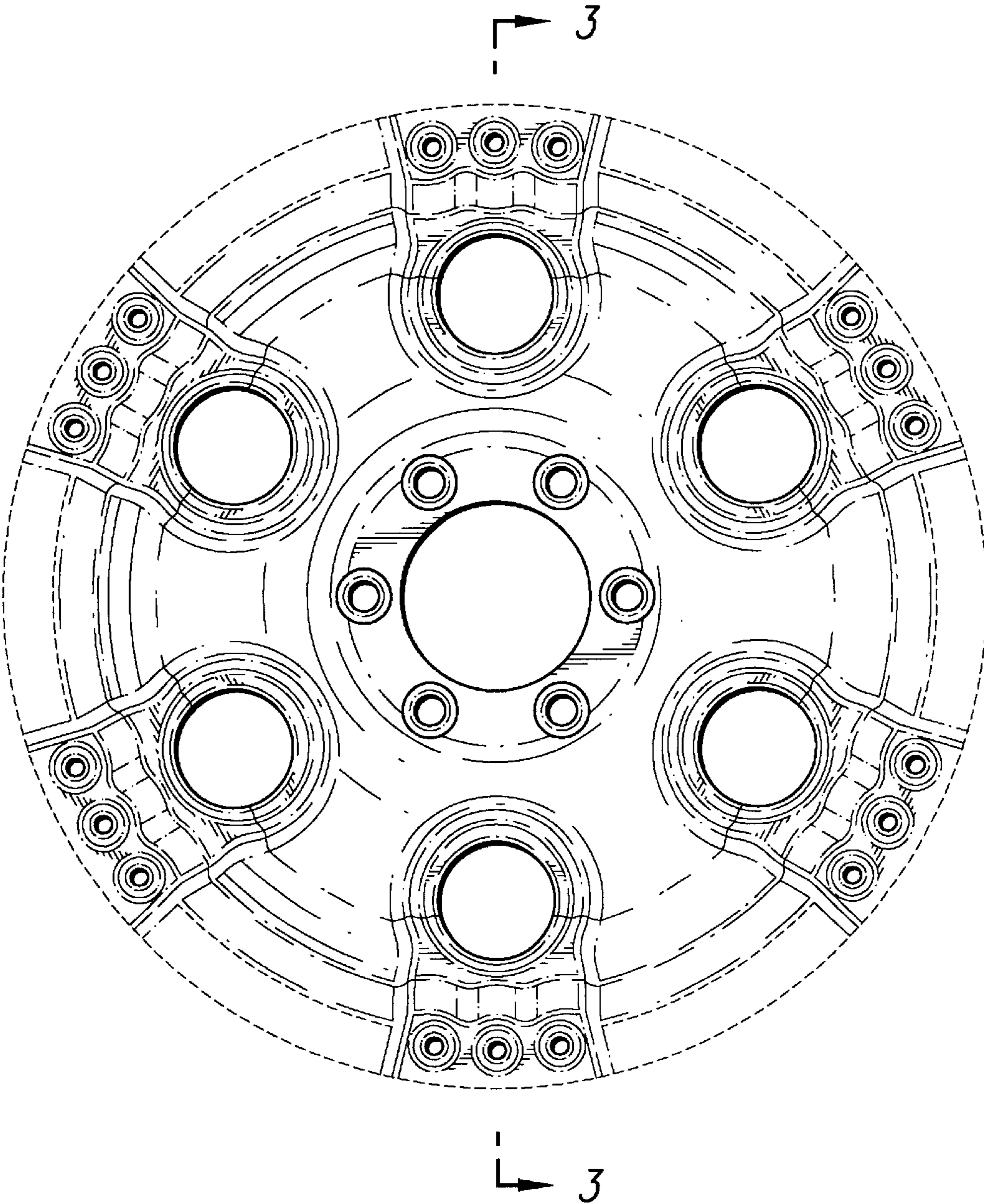


FIG. 2

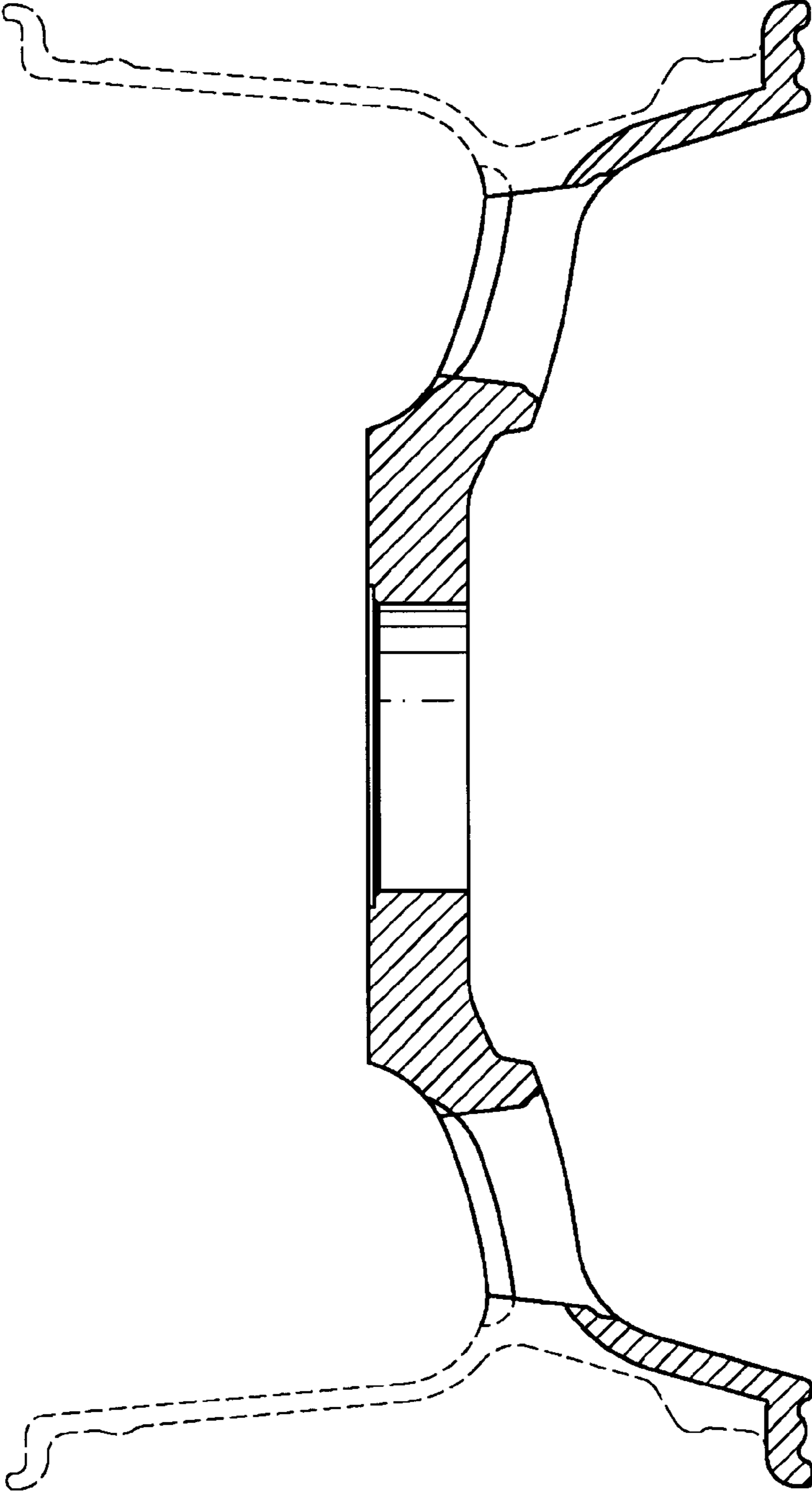


FIG. 3