



US00D515000S

(12) **United States Design Patent**  
**Takahashi**

(10) **Patent No.:** **US D515,000 S**

(45) **Date of Patent:** **\*\* Feb. 14, 2006**

(54) **WHEEL FOR AN AUTOMOBILE**

(75) **Inventor:** **Masato Takahashi, Kanagawa (JP)**

(73) **Assignee:** **Nissan Motor Co., Ltd., Yokohama (JP)**

(\*\*) **Term:** **14 Years**

(21) **Appl. No.:** **29/196,408**

(22) **Filed:** **Dec. 30, 2003**

(30) **Foreign Application Priority Data**

Aug. 29, 2003 (JP) ..... 2003-025104

(51) **LOC (8) Cl.** ..... **12-16**

(52) **U.S. Cl.** ..... **D12/209**

(58) **Field of Classification Search** ..... D12/204-213;  
301/37.101, 64.101, 65

See application file for complete search history.

(56) **References Cited**

**U.S. PATENT DOCUMENTS**

- 521,587 A \* 6/1894 Hirt ..... 301/65
- D197,840 S \* 3/1964 Deaver ..... D12/209
- D206,709 S \* 1/1967 Reid ..... D12/209
- D359,938 S \* 7/1995 Chien ..... D12/209

- D385,837 S \* 11/1997 Muller ..... D12/209
- D422,257 S \* 4/2000 Pruden ..... D12/209
- D453,492 S \* 2/2002 Laengerer ..... D12/209
- D455,699 S \* 4/2002 Chung ..... D12/209
- D464,306 S \* 10/2002 Chung ..... D12/209
- D466,065 S \* 11/2002 Lee ..... D12/209
- D466,463 S \* 12/2002 Hodges ..... D12/209

\* cited by examiner

*Primary Examiner*—Stacia Cadmus

(74) *Attorney, Agent, or Firm*—Foley & Lardner LLP

(57) **CLAIM**

The ornamental design for a wheel for an automobile, as shown and described.

**DESCRIPTION**

FIG. 1 is a perspective view of a wheel for an automobile;  
 FIG. 2 is a front view thereof;  
 FIG. 3 is a rear view thereof;  
 FIG. 4 is a left side view thereof (right side view is a mirror view of the left side view);  
 FIG. 5 is a top plan view thereof;  
 FIG. 6 is a bottom view thereof; and,  
 FIG. 7 is a sectional view taken at 7—7 line thereof showing the surface only.

**1 Claim, 5 Drawing Sheets**

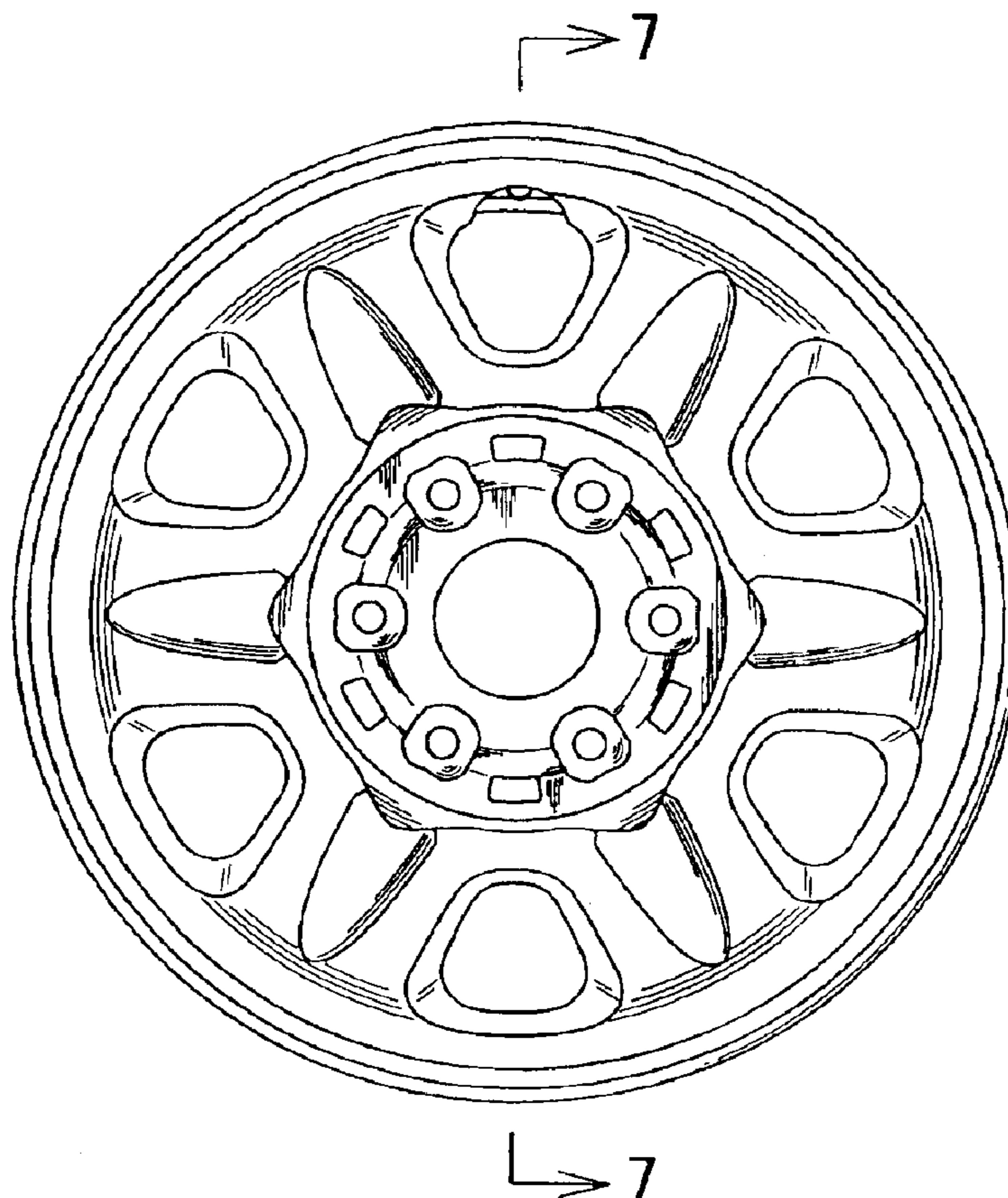


FIG. 1

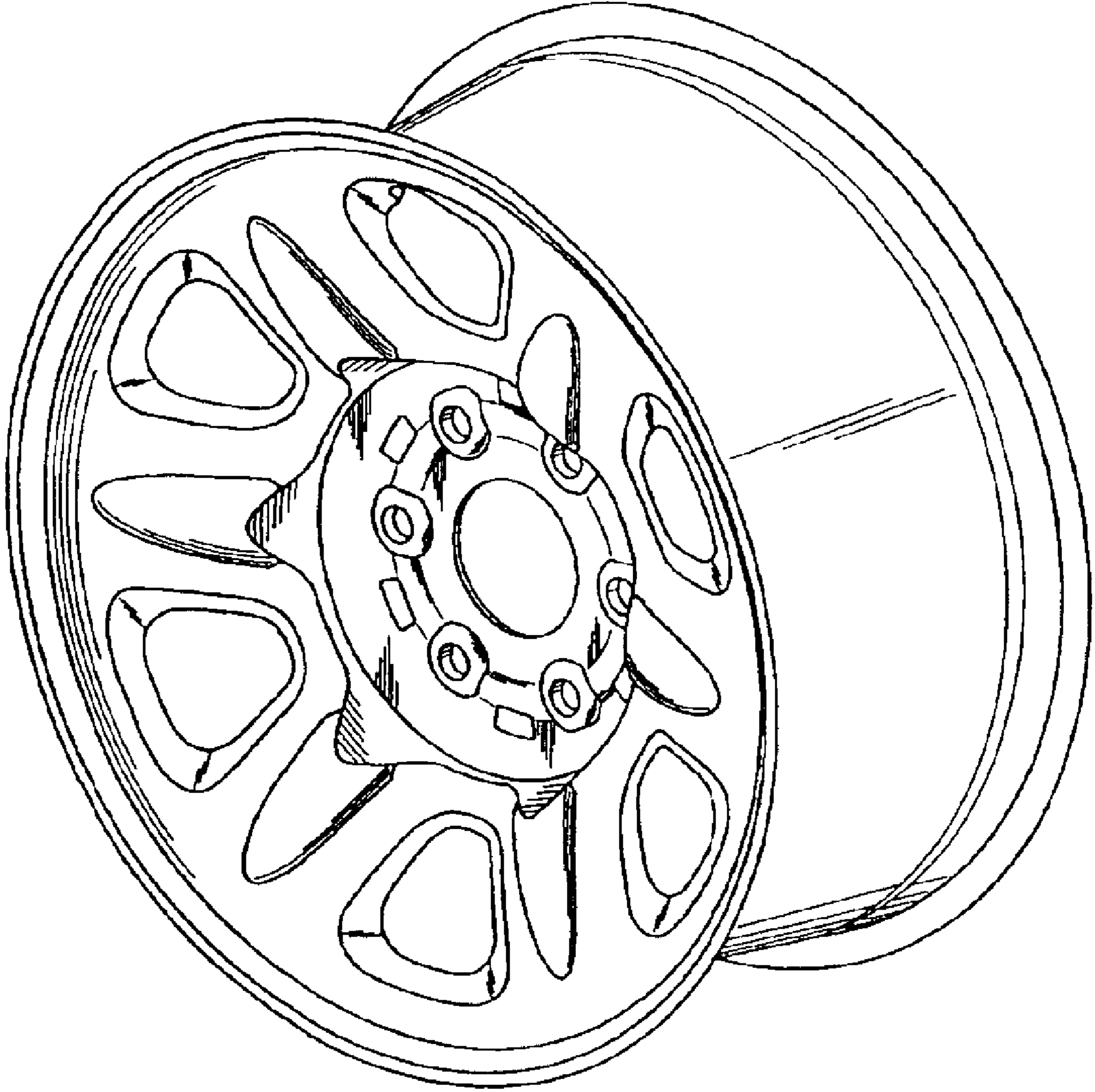


FIG.2

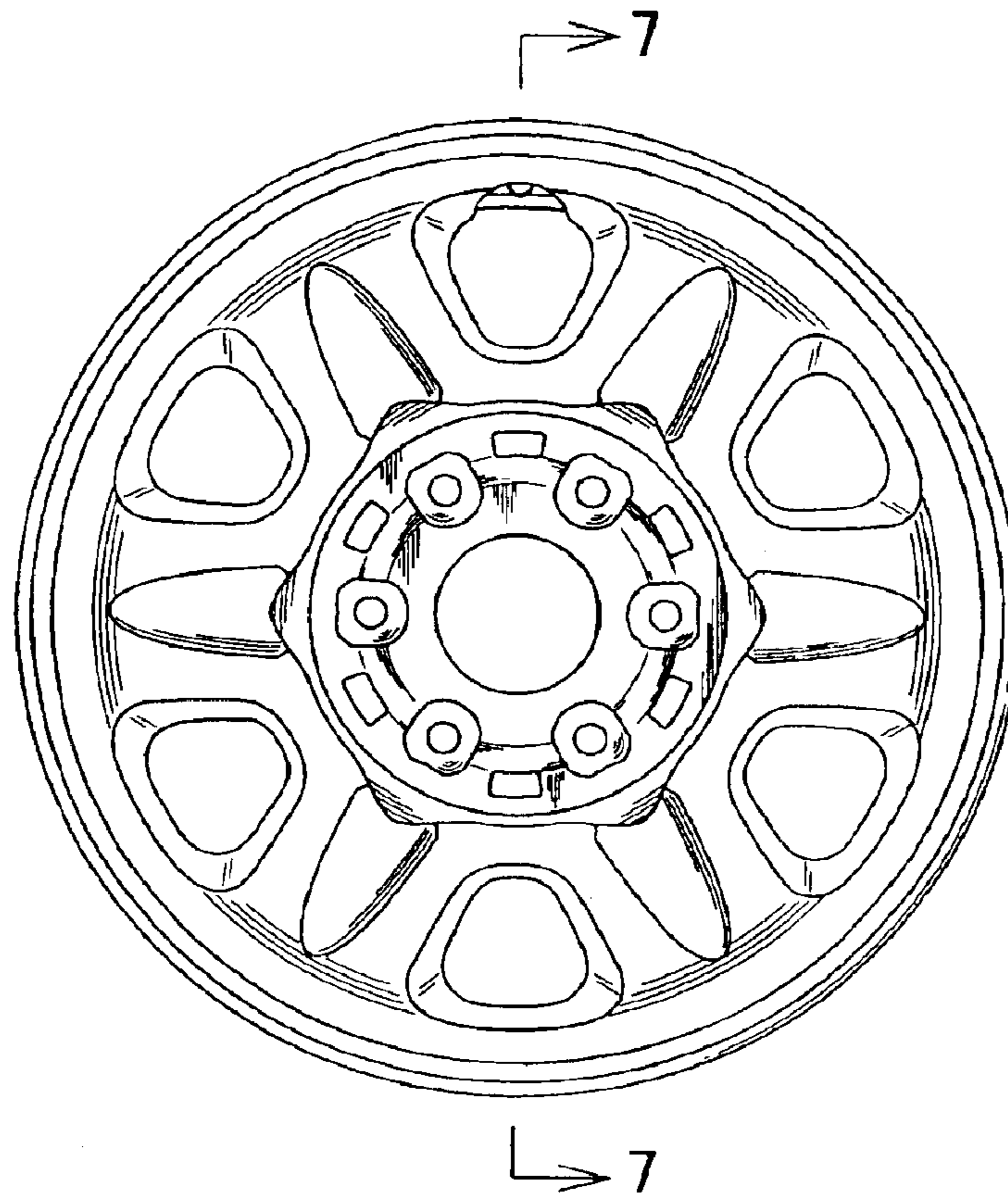


FIG.3

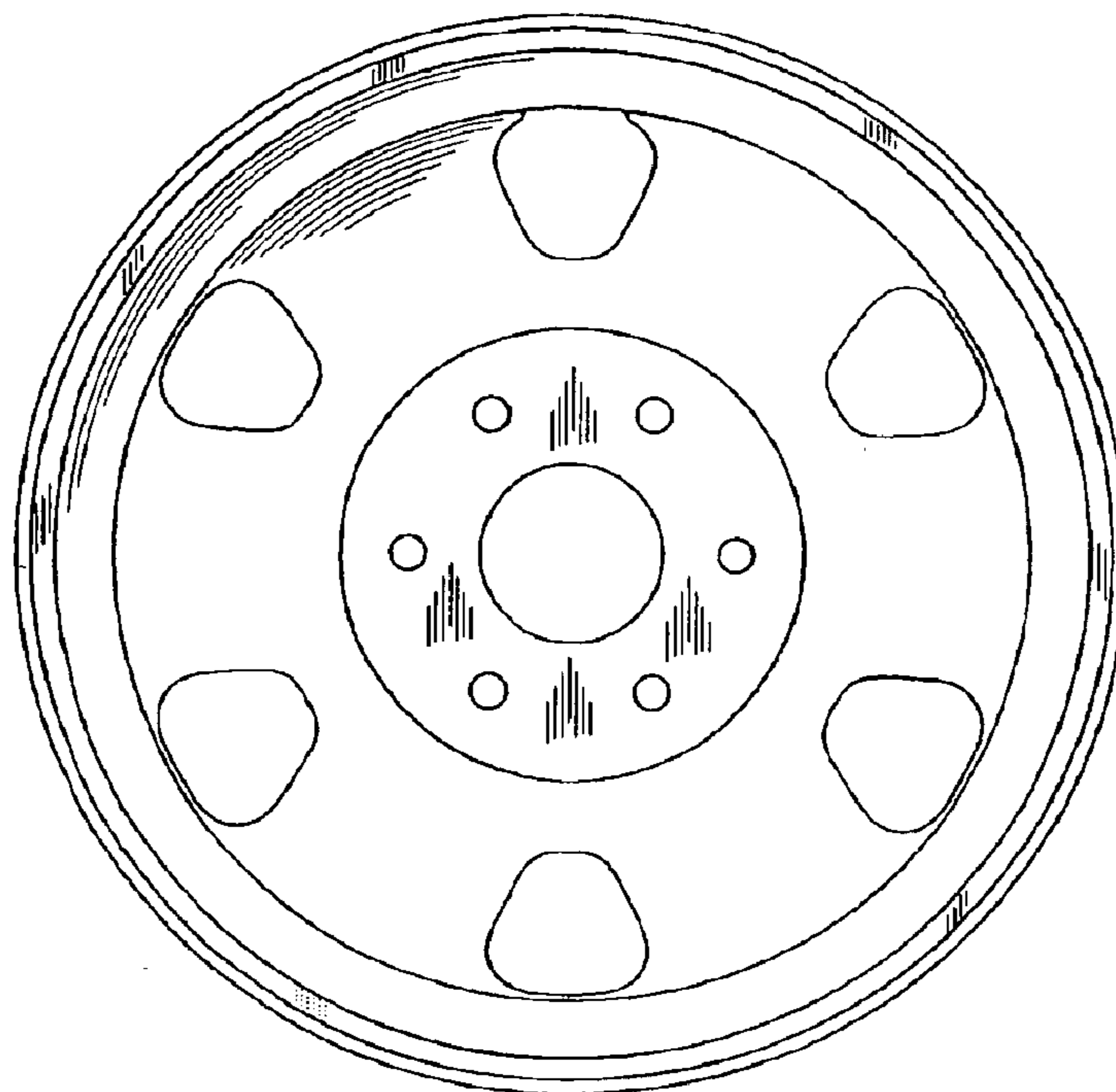


FIG.4

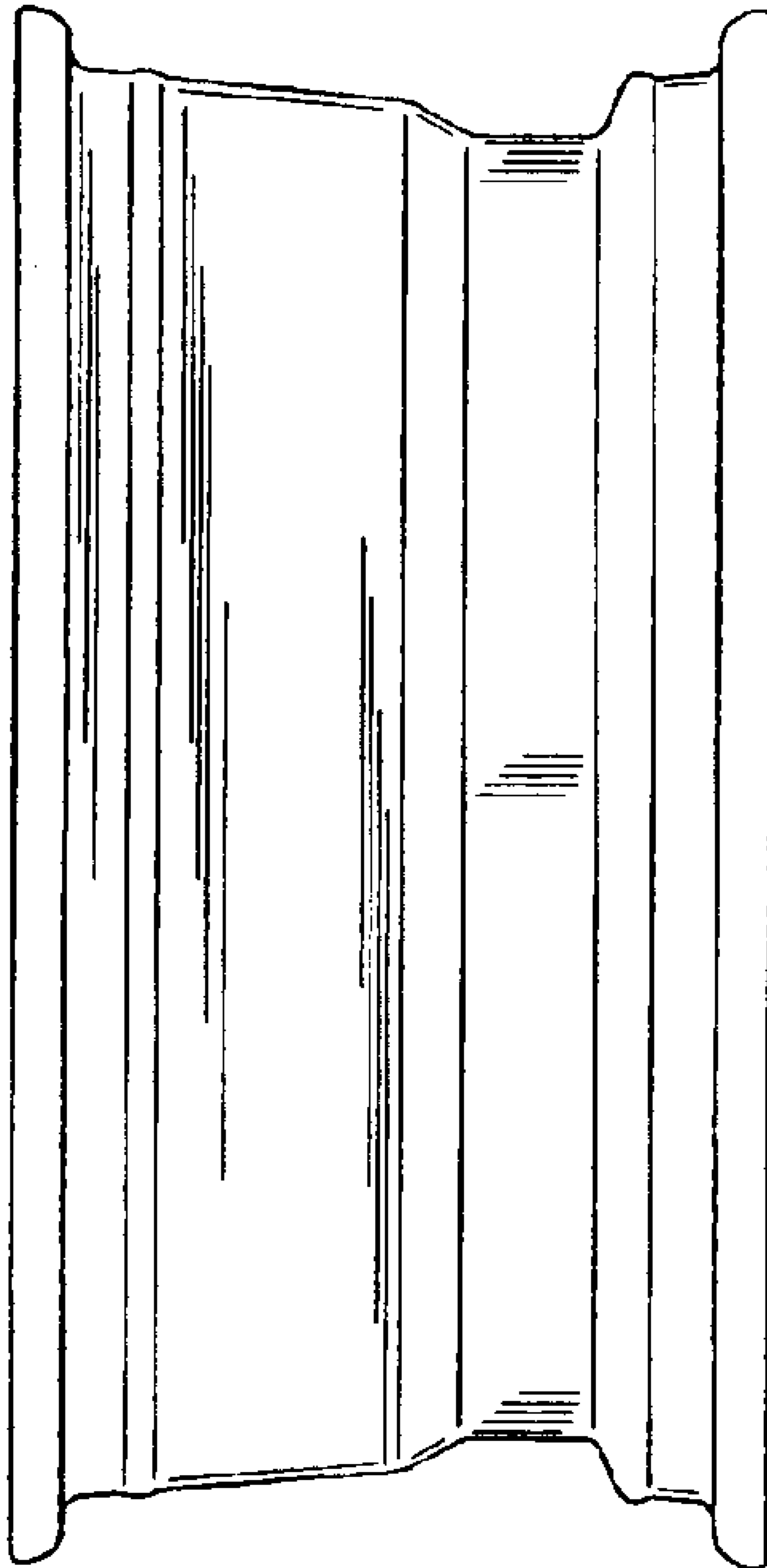


FIG.5

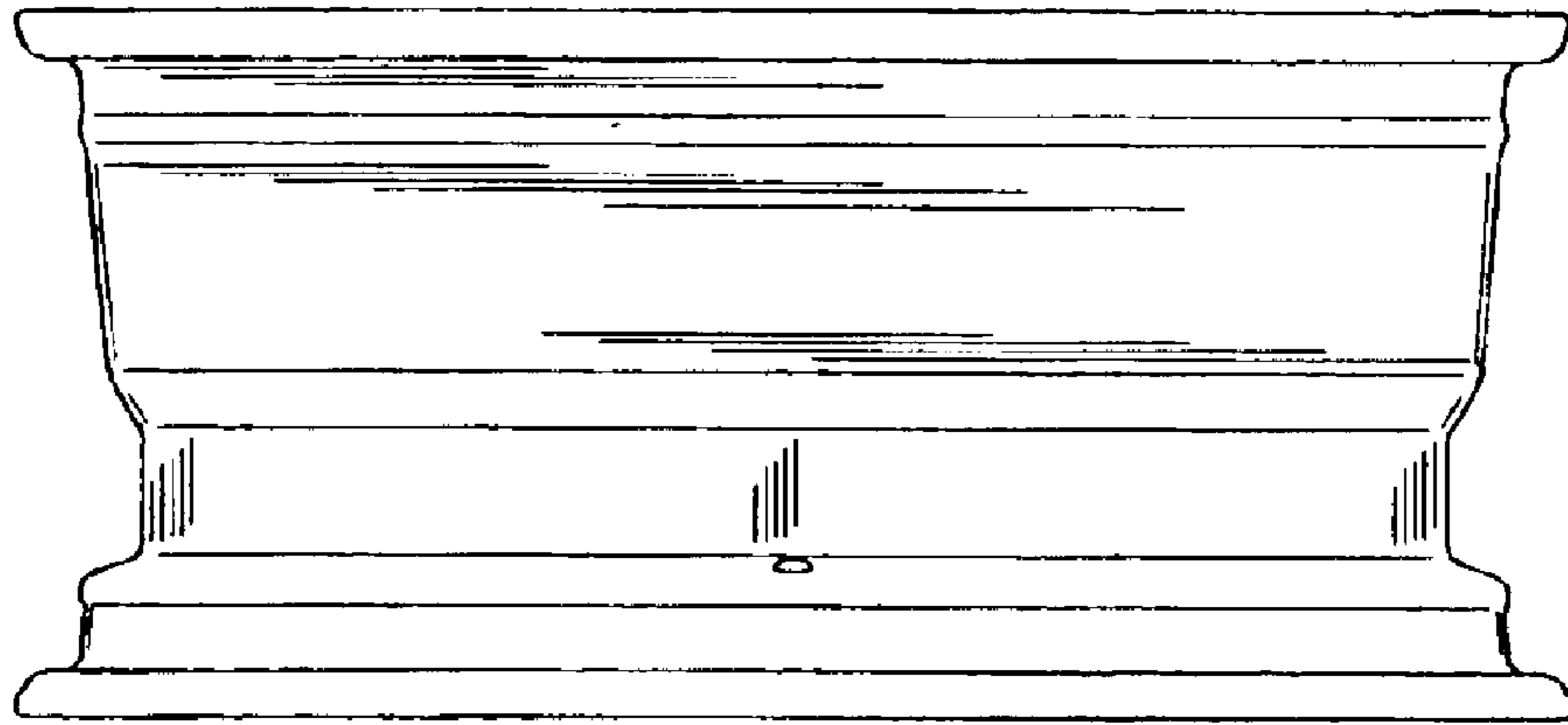


FIG.6

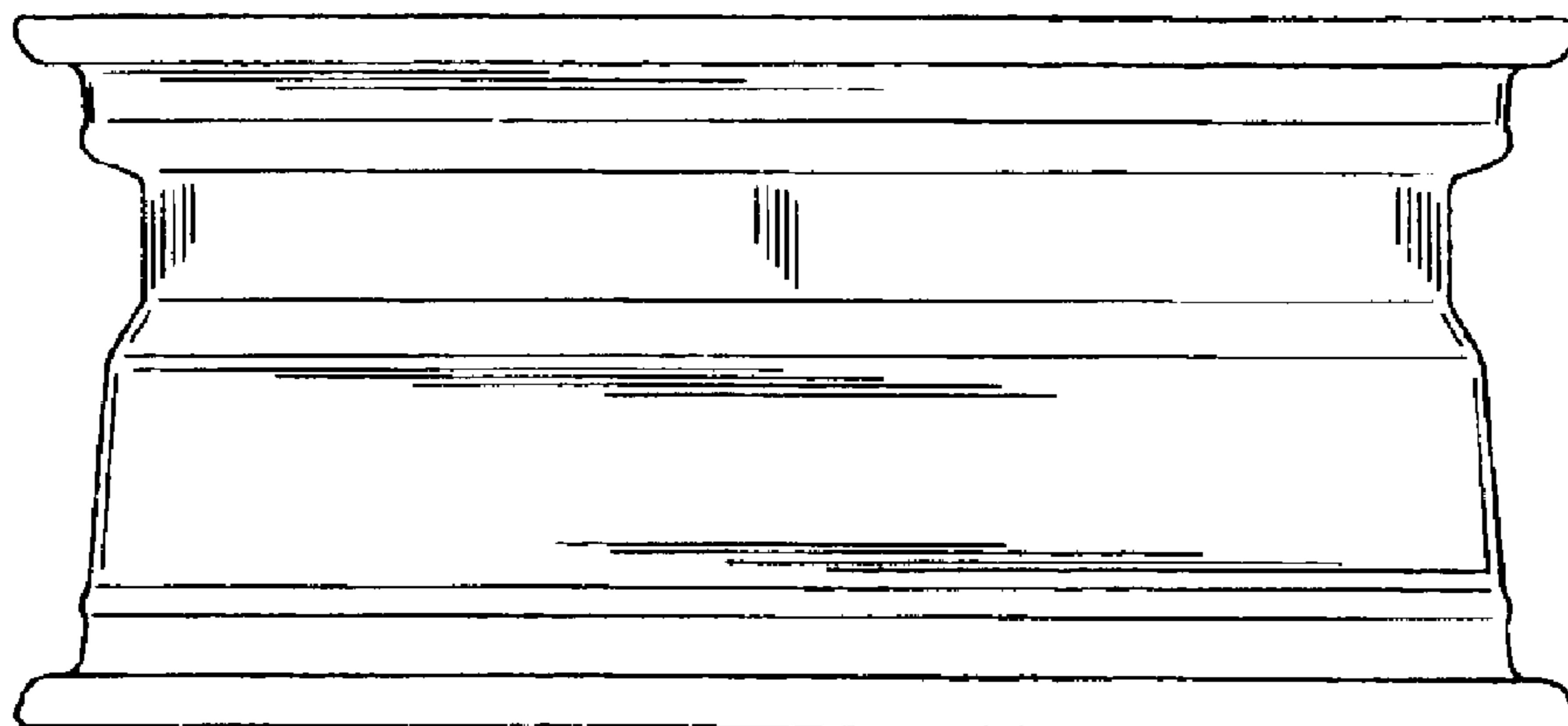




FIG. 7

