



US00D514999S

(12) **United States Design Patent**
Boyer

(10) **Patent No.:** **US D514,999 S**

(45) **Date of Patent:** **** Feb. 14, 2006**

(54) **FRONT FACE OF A VEHICLE WHEEL**

(75) **Inventor:** **Boyke Boyer, Ismaning (DE)**

(73) **Assignee:** **Bayerische Motoren Werke
Aktiengesellschaft, Munich (DE)**

(**) **Term:** **14 Years**

(21) **Appl. No.:** **29/182,331**

(22) **Filed:** **May 27, 2003**

(30) **Foreign Application Priority Data**

Nov. 25, 2002 (DE) 4 02 09 836

(51) **LOC (8) Cl.** **12-16**

(52) **U.S. Cl.** **D12/209**

(58) **Field of Classification Search** D12/204-213;
301/37.101, 64.101, 65

See application file for complete search history.

(56) **References Cited**

U.S. PATENT DOCUMENTS

D409,968 S * 5/1999 Goplen D12/211
D447,106 S * 8/2001 Chung D12/209

D471,144 S * 3/2003 Pfeiffer D12/209
D476,284 S * 6/2003 Pfeiffer et al. D12/211
D479,177 S * 9/2003 Nordmann D12/211
D494,523 S * 8/2004 Koenigsberg D12/209
D502,137 S * 2/2005 Blum D12/211
D504,099 S * 4/2005 Boyer D12/211
D504,651 S * 5/2005 Johnson D12/211

* cited by examiner

Primary Examiner—Stacia Cadmus

(74) *Attorney, Agent, or Firm*—Crowell & Moring LLP

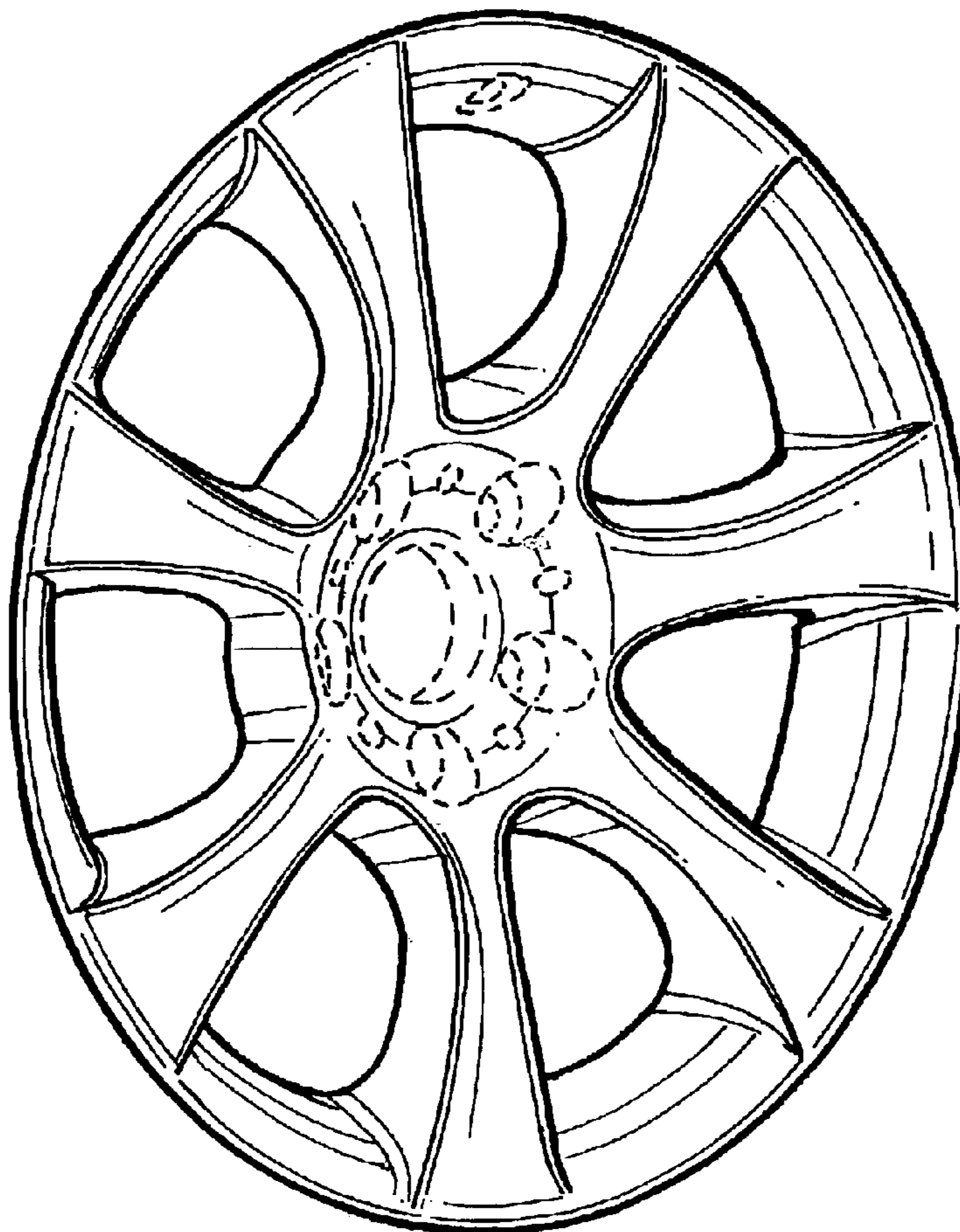
(57) **CLAIM**

The ornamental design for a front face of a vehicle wheel,
as shown and described.

DESCRIPTION

FIG. 1 is a front view of a front face of a vehicle wheel
according to my novel design; and,
FIG. 2 is a perspective view of the front face of a vehicle
wheel according to my novel design.
The broken lines are for illustrative purposes only and form
no part of the claimed design.

1 Claim, 1 Drawing Sheet



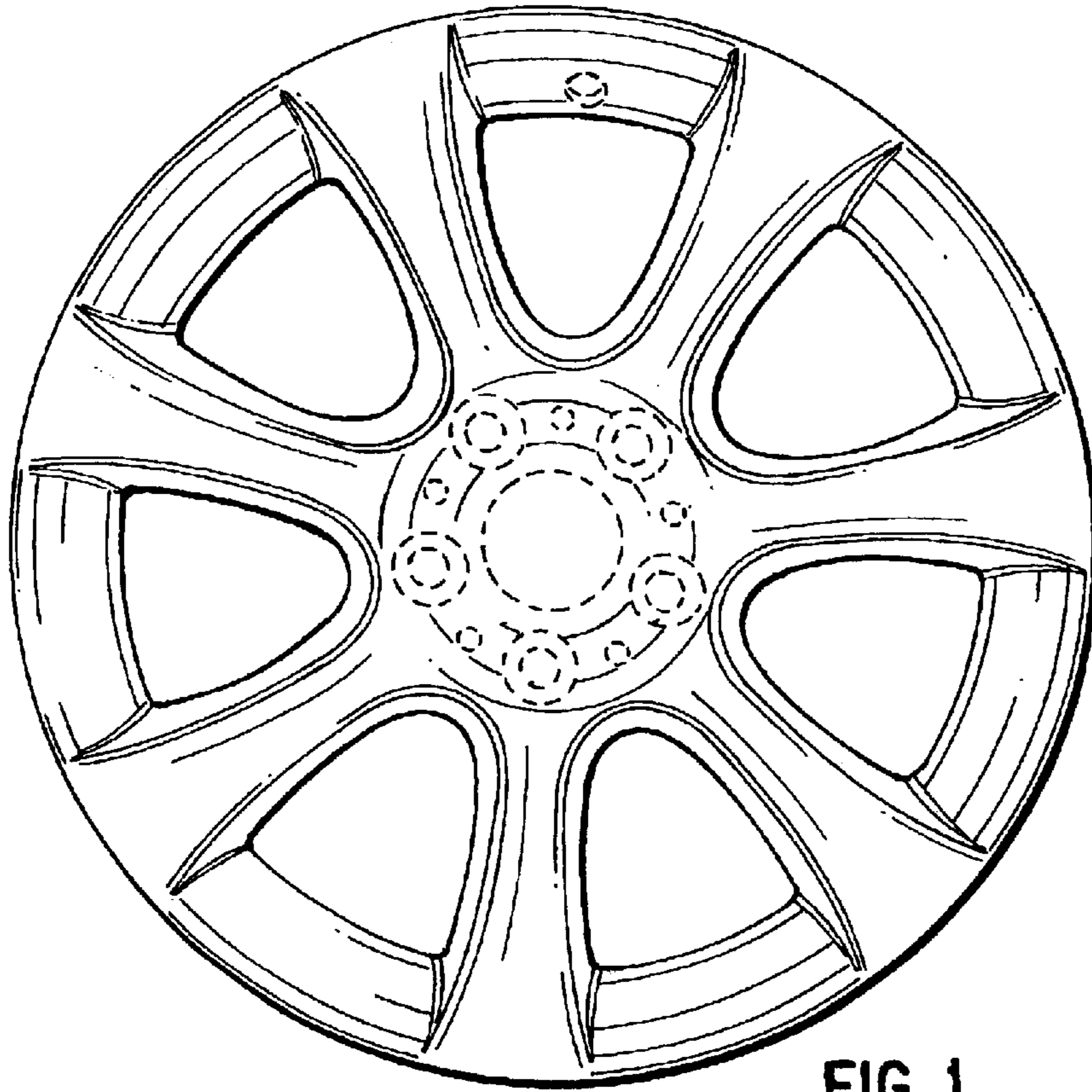


FIG. 1

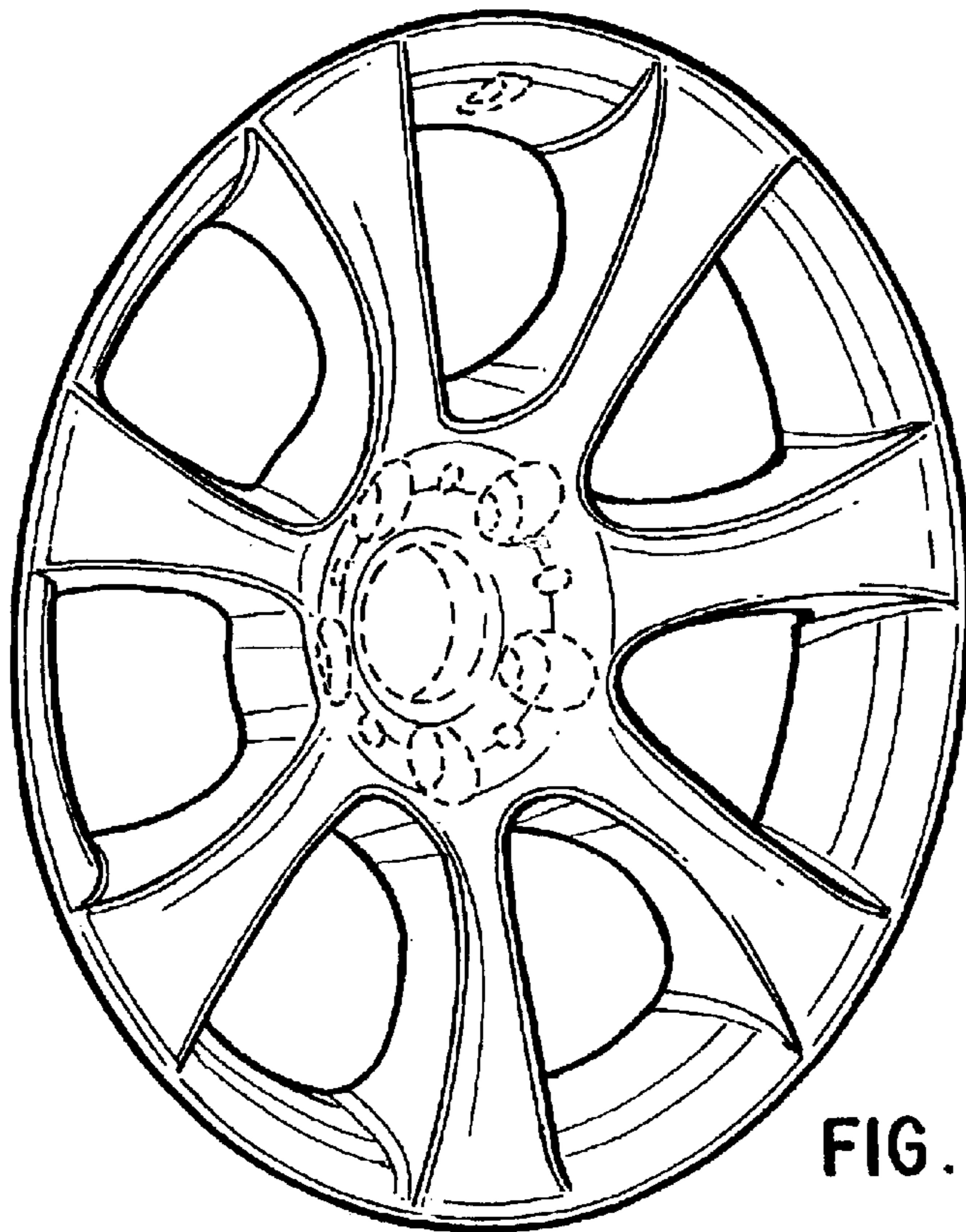


FIG. 2