



US00D514998S

(12) **United States Design Patent**
Hall et al.

(10) **Patent No.:** **US D514,998 S**

(45) **Date of Patent:** **** Feb. 14, 2006**

(54) **VEHICLE BED HEAD BOARD**

D474,717 S * 5/2003 Weber et al. D12/93
D495,645 S * 9/2004 Hall et al. D12/196

(75) Inventors: **Jarad W. Hall**, Manhattan Beach, CA
(US); **Donald Lariviere**, Whittier, CA
(US); **David Edwards**, Marysville, OH
(US)

* cited by examiner

Primary Examiner—Melody N. Brown
(74) *Attorney, Agent, or Firm*—Plumsea Law Group, LLC

(73) Assignee: **Honda Motor Co., Ltd.**, Tokyo (JP)

(57) **CLAIM**

(**) Term: **14 Years**

The ornamental design for a vehicle bed head board, as shown and described.

(21) Appl. No.: **29/190,108**

DESCRIPTION

(22) Filed: **Sep. 16, 2003**

(51) **LOC (8) Cl.** **12-16**

(52) **U.S. Cl.** **D12/196**

(58) **Field of Classification Search** D12/196,
D12/98, 93; 296/57.1, 3, 26, 50, 37.1, 37.6,
296/89.1, 89.11, 89.12

FIG. 1 is a perspective view of a vehicle bed head board showing our new design;

FIG. 2 is a top plan view thereof;

FIG. 3 is an elevational view thereof; and,

FIG. 4 is a cross-section taken along line 4—4 in FIG. 3.

The broken line showings of the connection apertures and connection hardware are for illustrative purposes only and form no part of the claimed invention.

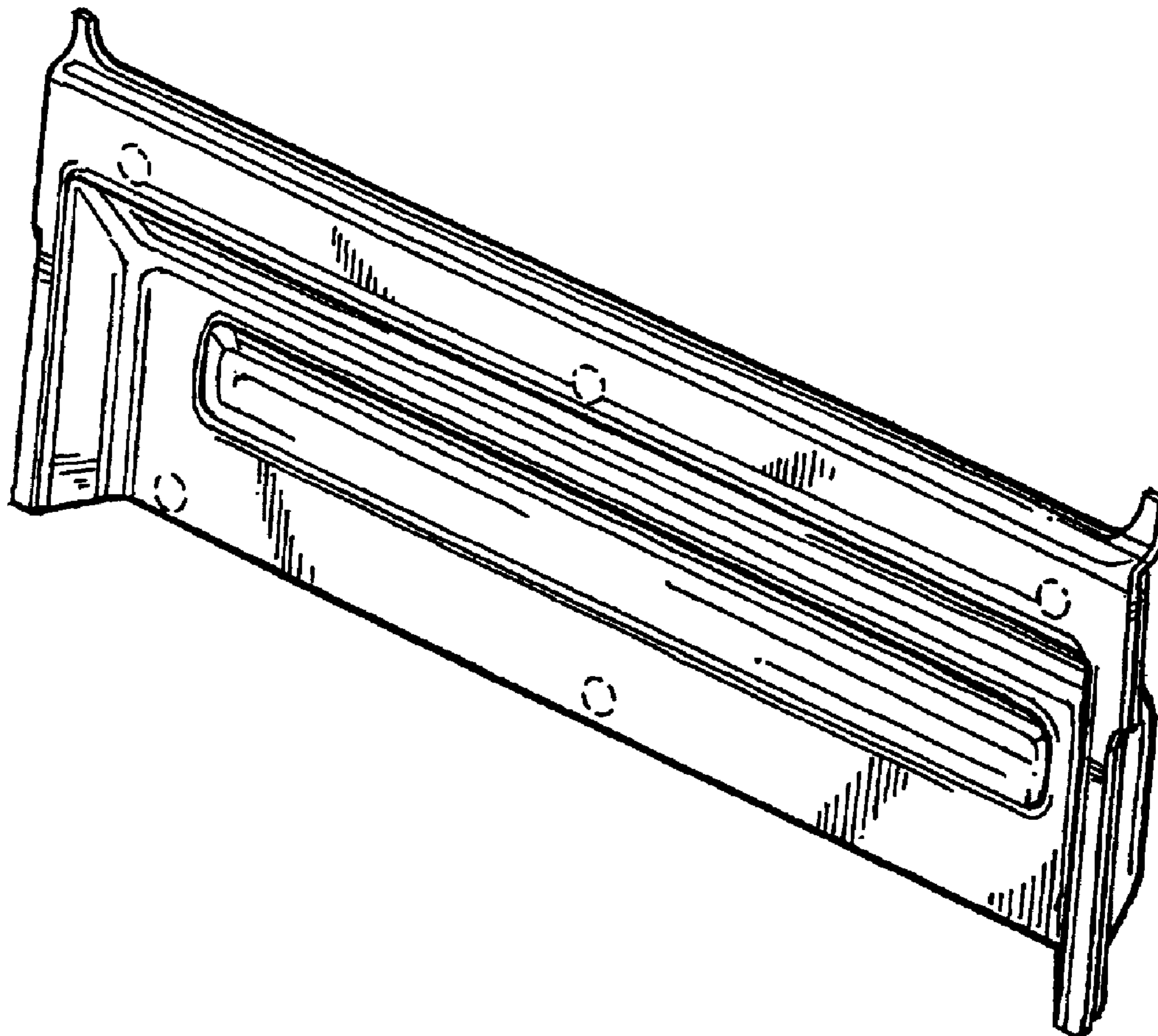
See application file for complete search history.

(56) **References Cited**

U.S. PATENT DOCUMENTS

D391,545 S * 3/1998 Arndt et al. D12/221

1 Claim, 2 Drawing Sheets



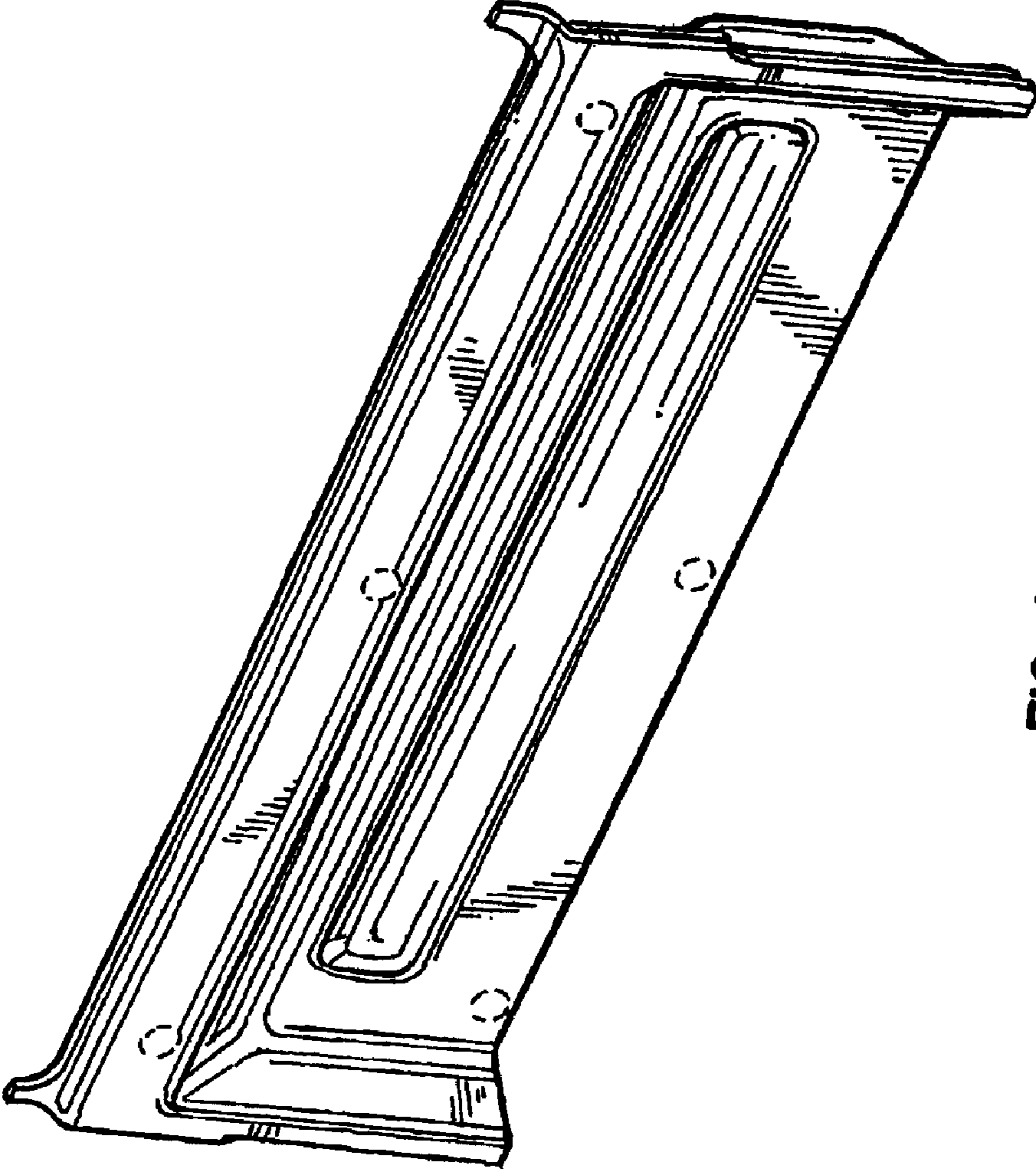


FIG. 1



FIG. 2

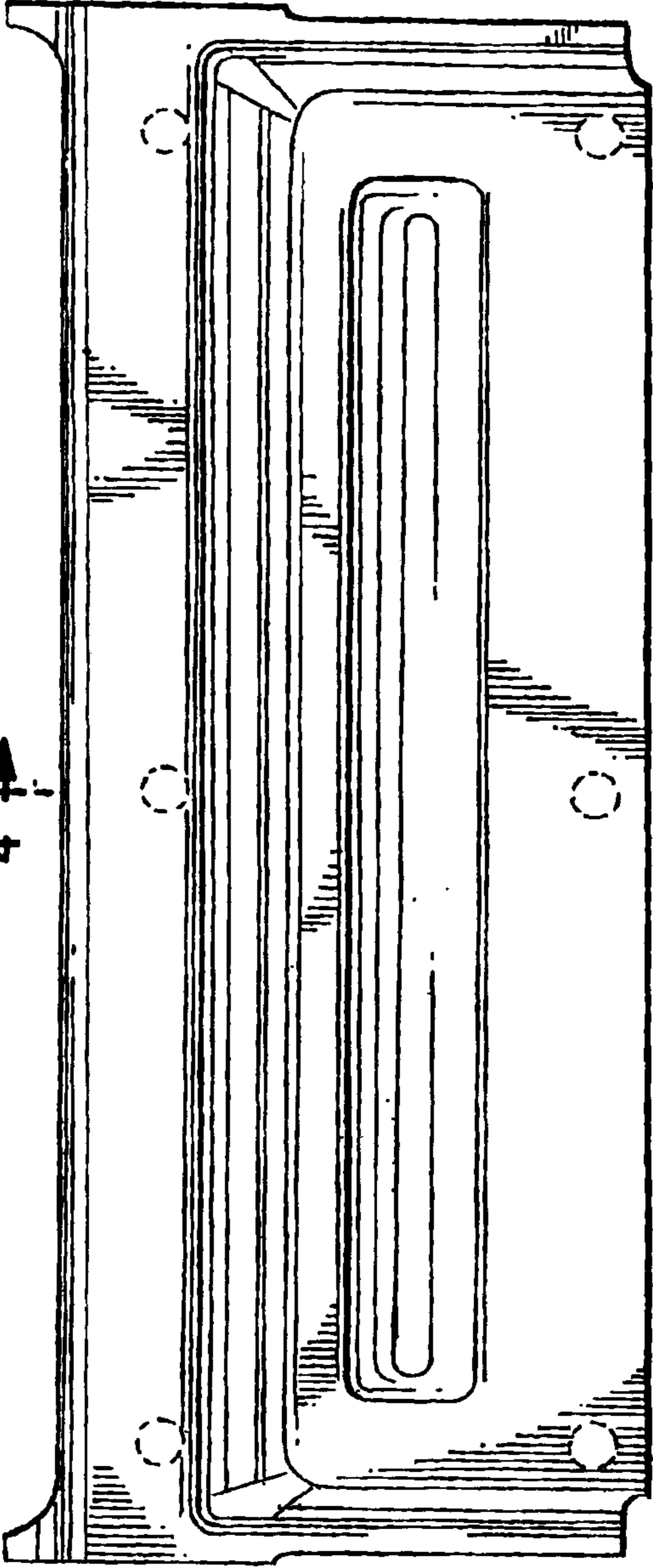


FIG. 3

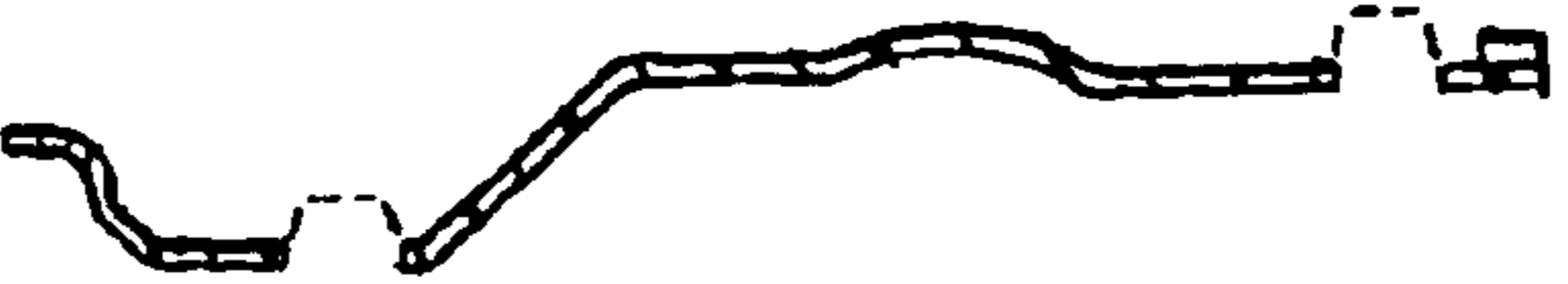


FIG. 4

