



US00D514997S

(12) **United States Design Patent**
Hall et al.

(10) **Patent No.:** **US D514,997 S**

(45) **Date of Patent:** **** Feb. 14, 2006**

(54) **PORTION OF A VEHICLE**

D424,477 S * 5/2000 Lund D12/98
D429,676 S * 8/2000 Smith et al. D12/196
D444,114 S * 6/2001 Saleen D12/196

(75) Inventors: **Jarad W. Hall**, Manhattan Beach, CA
(US); **Donald Lariviere**, Whittier, CA
(US)

* cited by examiner

(73) Assignee: **Honda Motor Co., Ltd.**, Tokyo (JP)

Primary Examiner—Melody N. Brown

(74) *Attorney, Agent, or Firm*—Plumsea Law Group, LLC

(**) Term: **14 Years**

(57) **CLAIM**

(21) Appl. No.: **29/190,040**

The ornamental design for a portion of a vehicle, as shown and described.

(22) Filed: **Sep. 16, 2003**

DESCRIPTION

(51) **LOC (8) Cl.** **12-16**

(52) **U.S. Cl.** **D12/196**

(58) **Field of Classification Search** D12/196,
D12/98, 93, 96; 296/26, 99.1, 102, 180.1;
280/785

FIG. 1 is a perspective view of a portion of a vehicle showing our new design;

FIG. 2 is a front elevational view thereof;

FIG. 3 is a side elevational view thereof; and,

FIG. 4 is a perspective view thereof shown in use on vehicle.

The rear of the portion of a vehicle not shown in the drawings forms no part of the claimed design. The broken lines in FIGS. 3 and 4 are for illustrative purposes only and form no part of the claimed design.

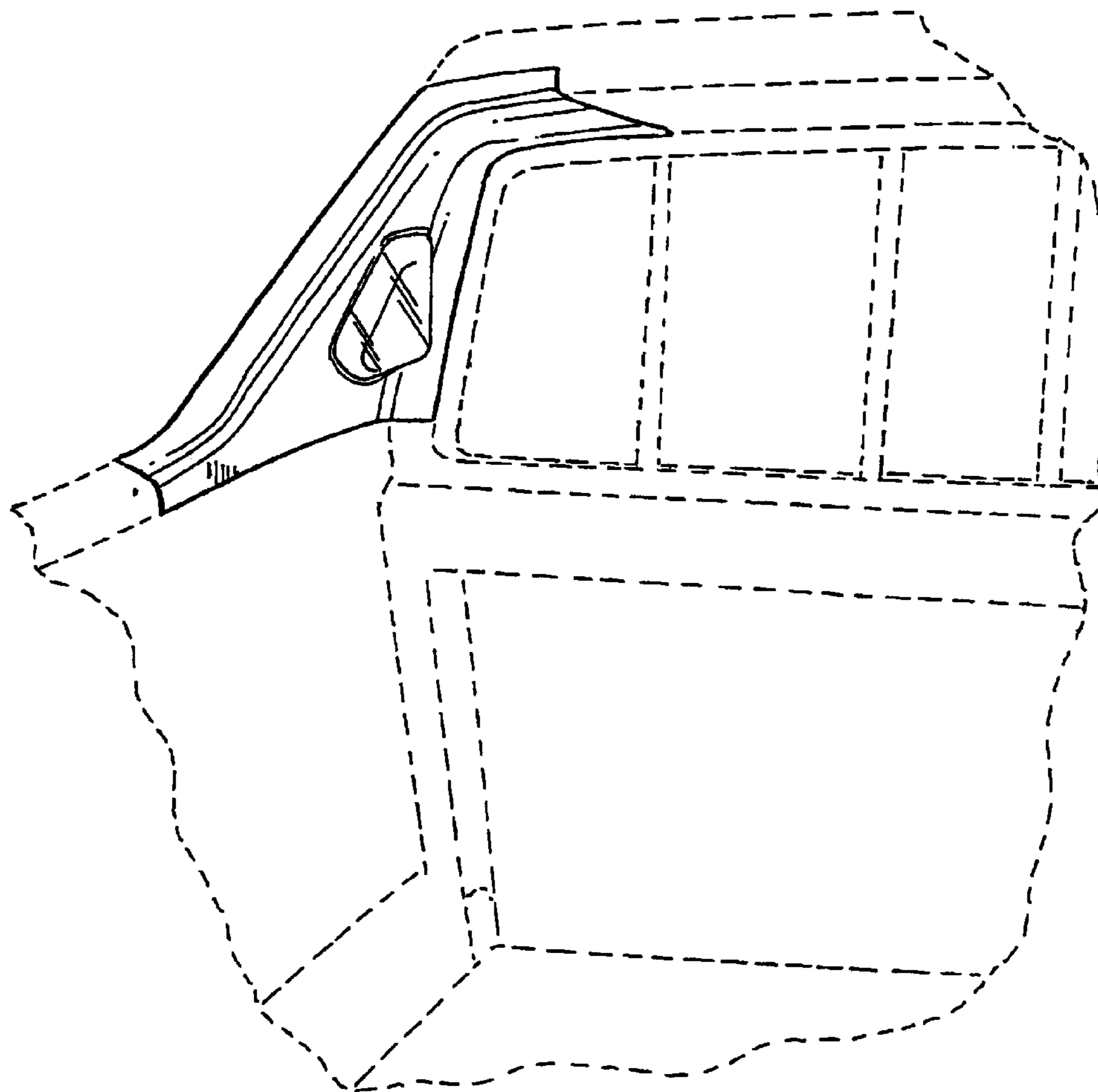
See application file for complete search history.

(56) **References Cited**

U.S. PATENT DOCUMENTS

D332,072 S * 12/1992 Shirlin et al. D12/98

1 Claim, 2 Drawing Sheets



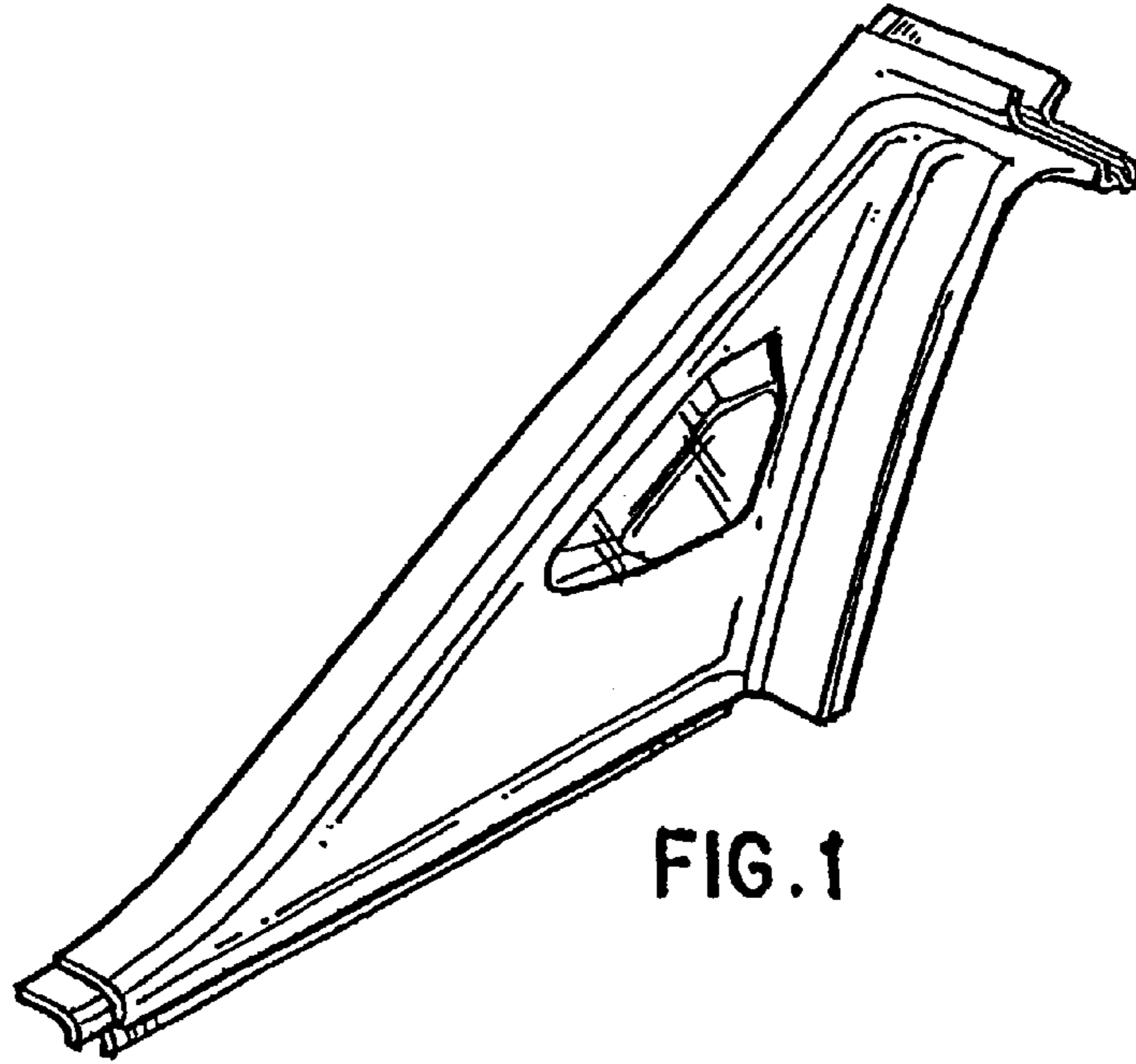


FIG. 1

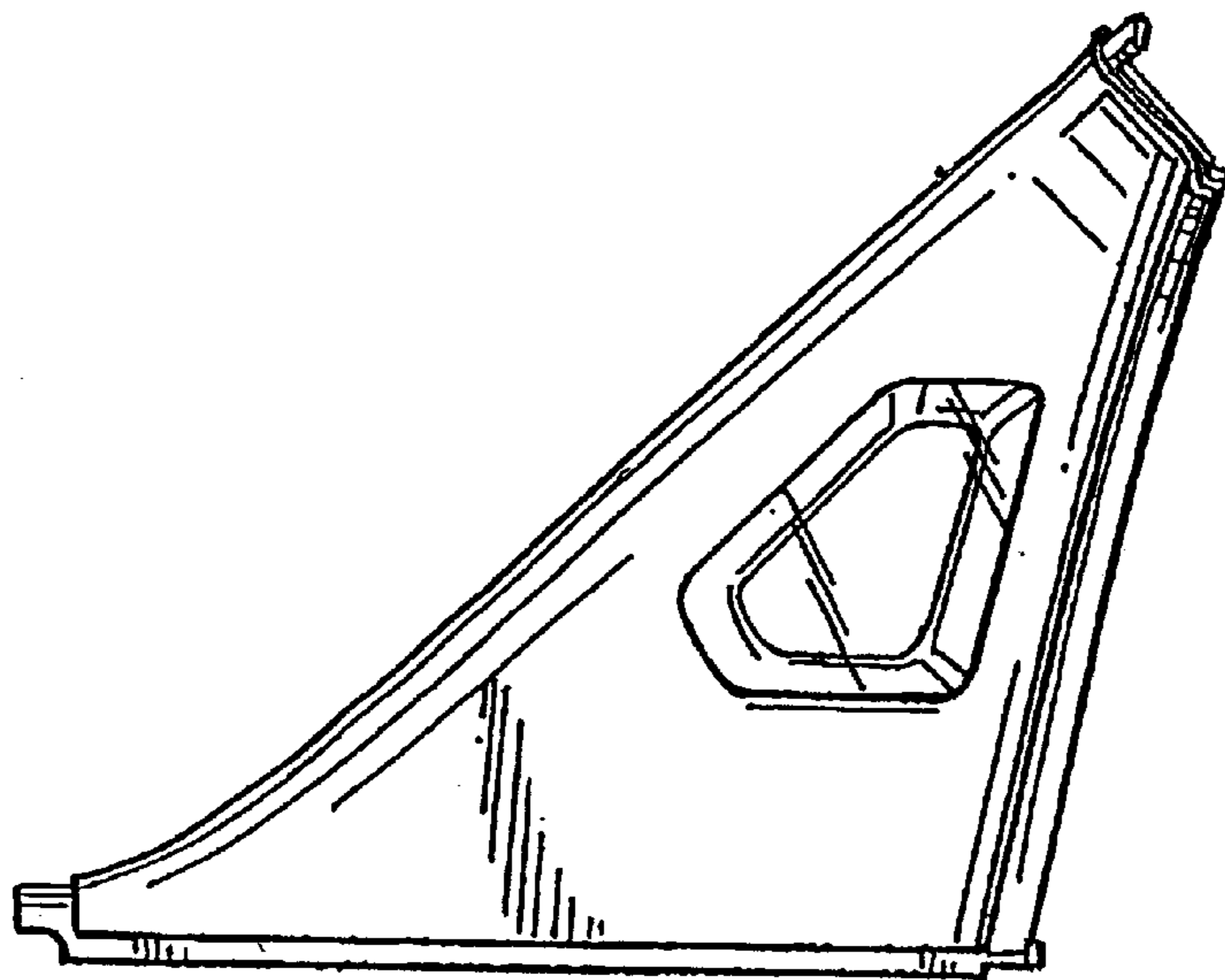


FIG. 2

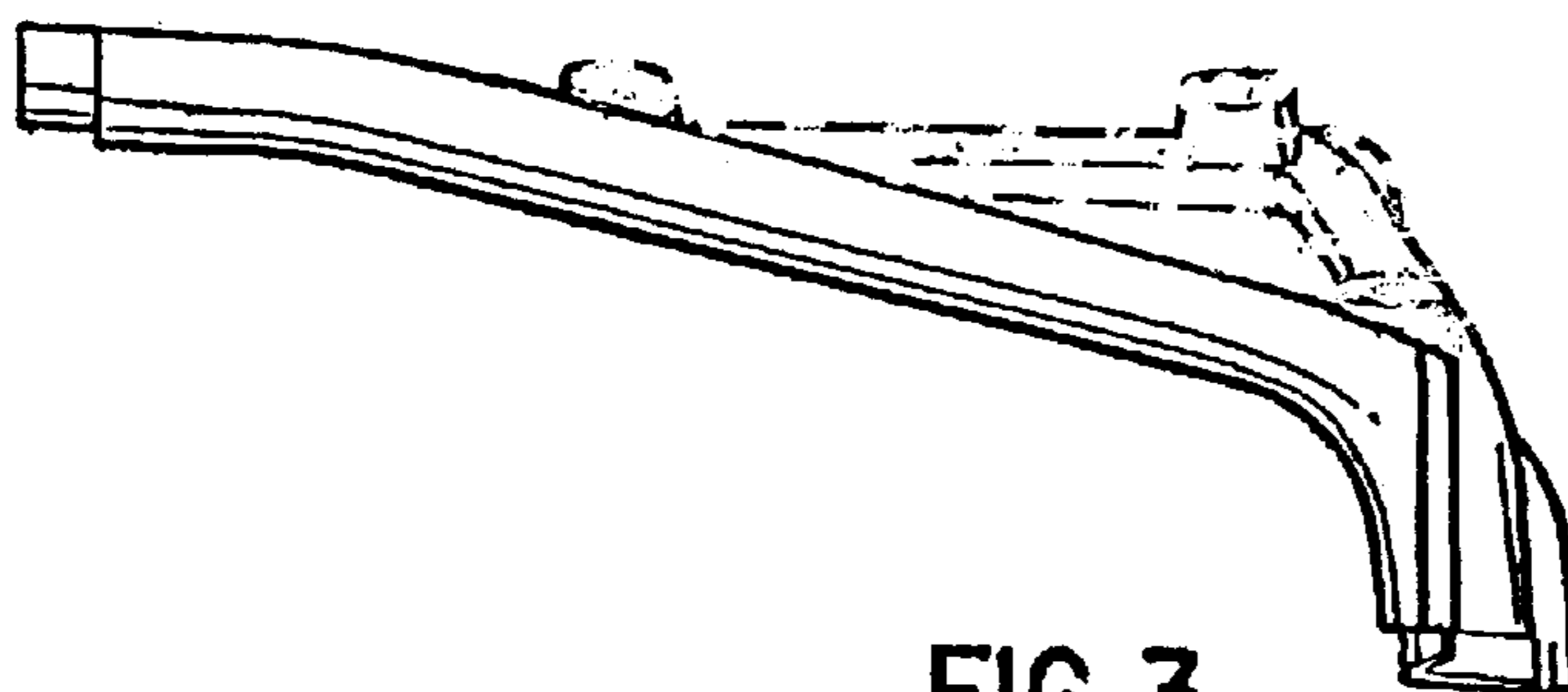


FIG. 3

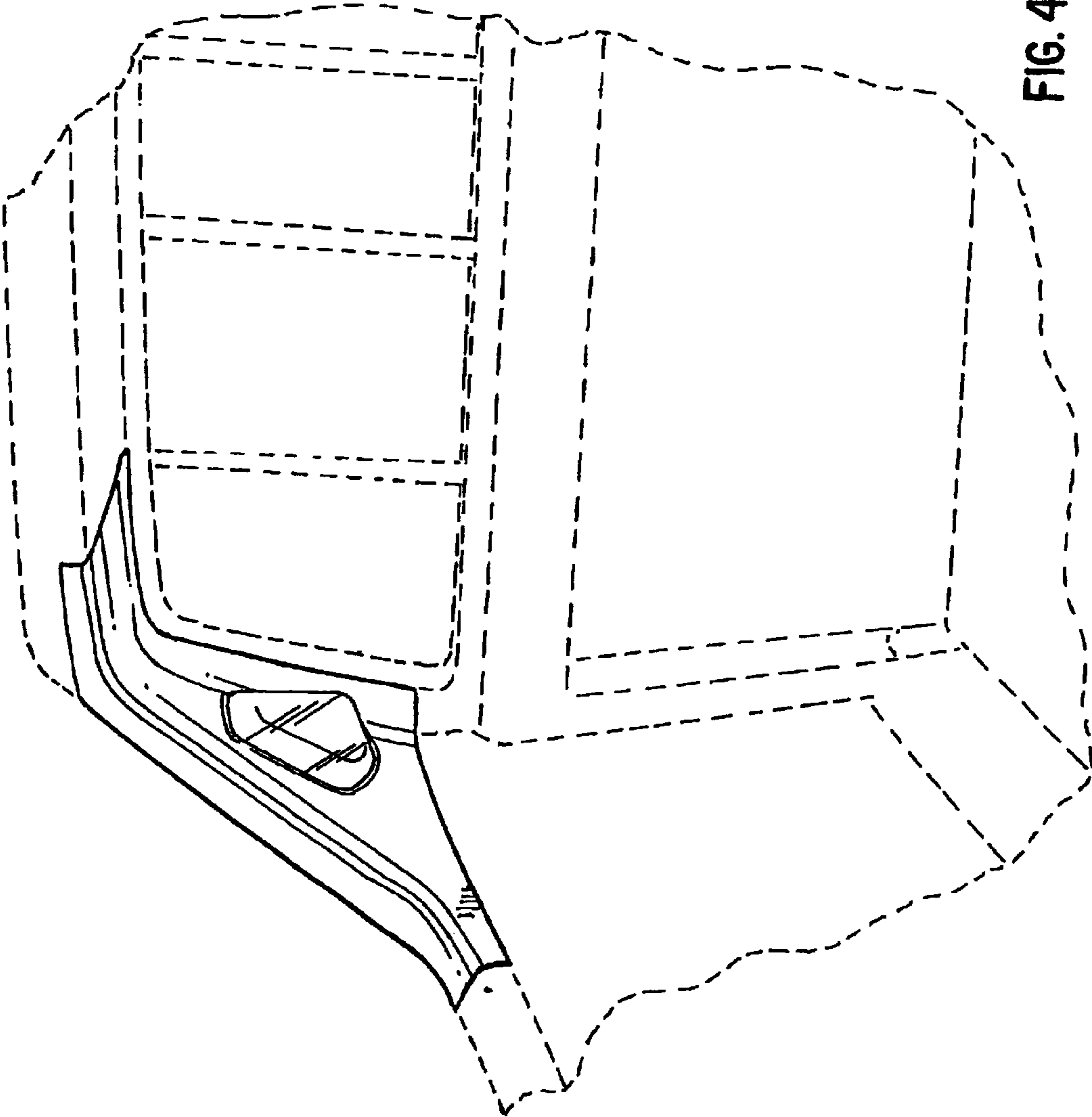


FIG. 4