

US00D514996S

(12) **United States Design Patent**
Rayburn

(10) **Patent No.:** **US D514,996 S**

(45) **Date of Patent:** **** Feb. 14, 2006**

(54) **AUTOMOBILE INSTRUMENT GAGE FACE**

D506,715 S * 6/2005 Magnussen D12/192

(76) **Inventor:** **Neal S. Rayburn**, 4521 Van Nuys Blvd., Sherman Oaks, CA (US) 91403

* cited by examiner

(**) **Term:** **14 Years**

Primary Examiner—Stacia Cadmus
(74) *Attorney, Agent, or Firm*—Timothy Thut Tyson; Freilich, Hornbaker & Rosen

(21) **Appl. No.:** **29/233,307**

(57) **CLAIM**

(22) **Filed:** **Jul. 1, 2005**

The ornamental design for an automobile instrument gage face, as shown.

(51) **LOC (8) Cl.** **12-16**

(52) **U.S. Cl.** **D12/192**

(58) **Field of Classification Search** D12/192;
180/90; 280/750-752; 296/190.01, 70; D10/46,
D10/102, 98, 122-127, 67; 295/191
See application file for complete search history.

DESCRIPTION

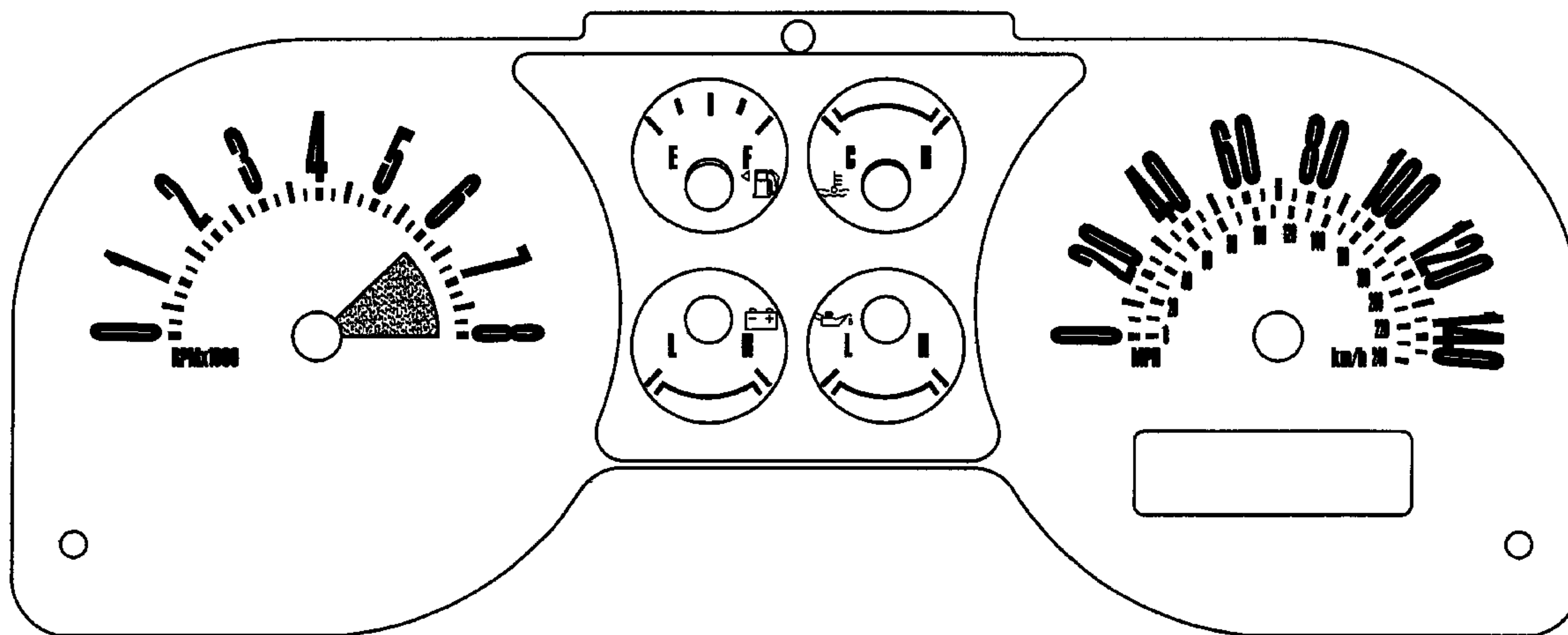
FIG. 1 is a front elevation view of an automobile instrument gage face showing my new design;
FIG. 2 is a top plan view thereof;
FIG. 3 is a bottom plan view thereof;
FIG. 4 is a rear elevation view thereof;
FIG. 5 is a left side elevation view thereof;
FIG. 6 is a right side elevation view thereof;
FIG. 7 is a front elevation view of a second embodiment;
FIG. 8 is a top plan view of FIG. 7;
FIG. 9 is a bottom plan view of FIG. 7;
FIG. 10 is a rear elevation view of FIG. 7;
FIG. 11 is a left side elevation view of FIG. 7; and,
FIG. 12 is a right side elevation view of FIG. 7.

(56) **References Cited**

U.S. PATENT DOCUMENTS

D276,039 S	*	10/1984	Tanaka	D12/192
D384,341 S	*	9/1997	Hoffman et al.	D10/102
D413,295 S	*	8/1999	Sauter	D12/192
D450,023 S	*	11/2001	Rayburn	D12/192
D450,283 S	*	11/2001	Rayburn	D12/192
D466,062 S	*	11/2002	Tsay et al.	D12/192
D490,759 S	*	6/2004	Iohara	D12/192
D504,368 S	*	4/2005	Hayashi	D12/192

1 Claim, 4 Drawing Sheets



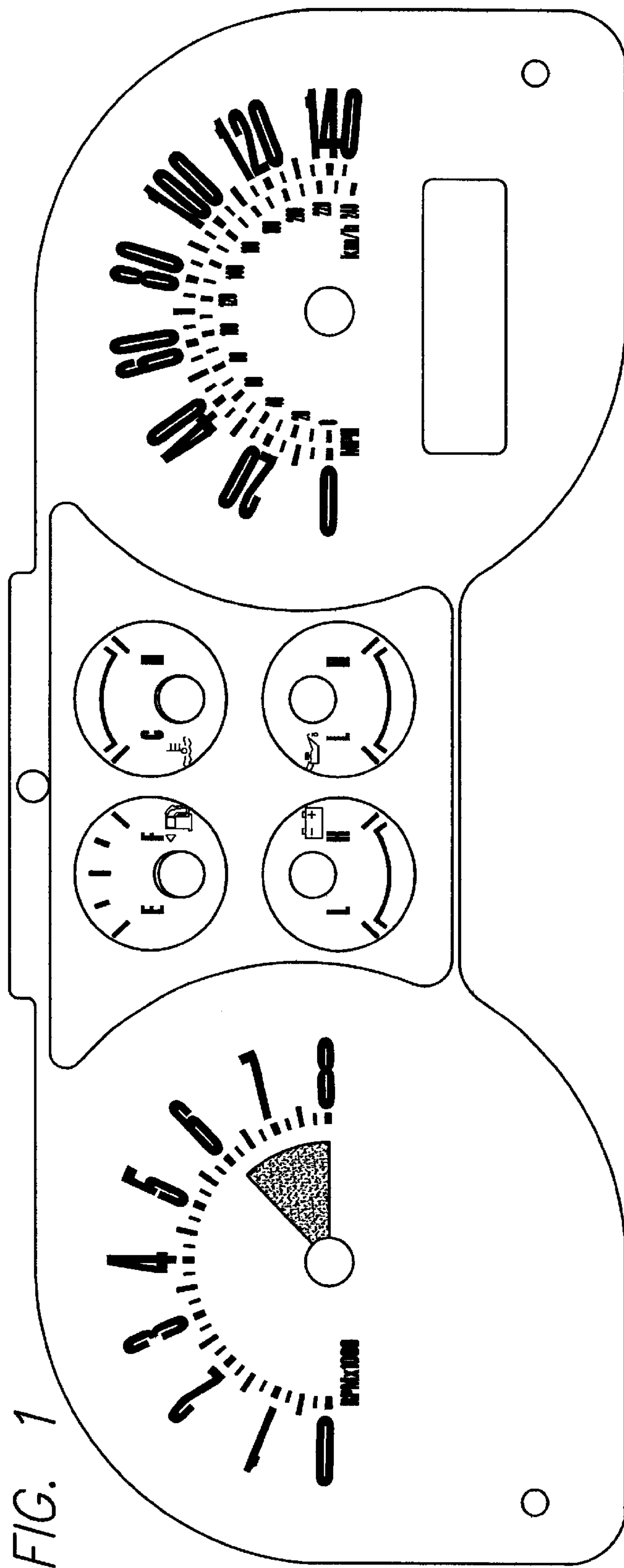
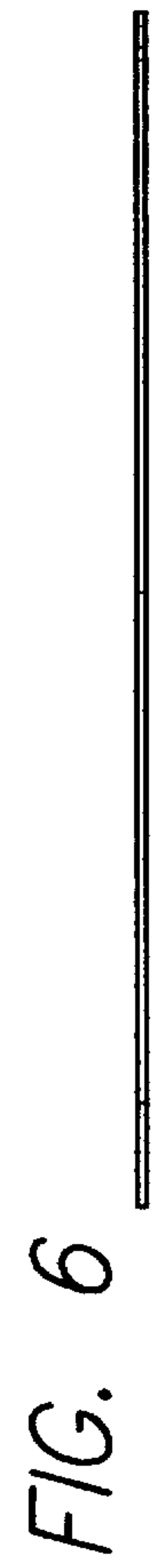
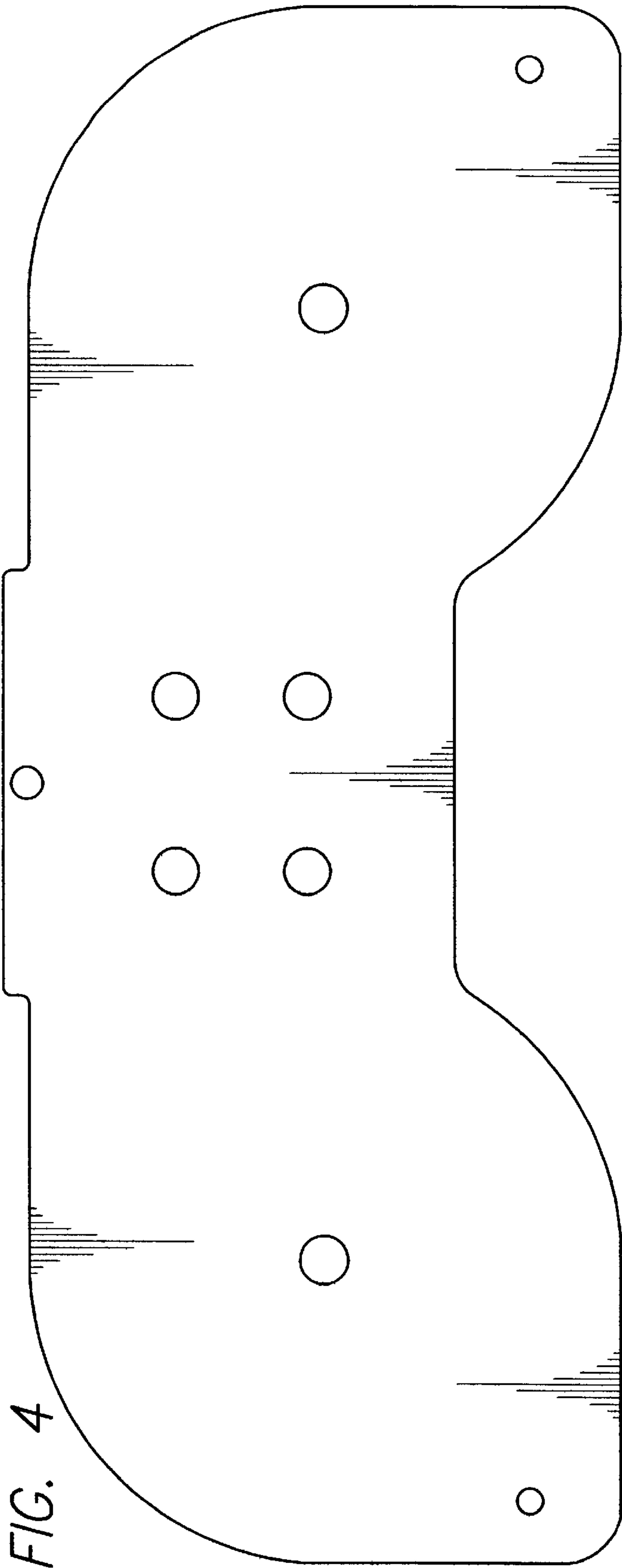


FIG. 2

FIG. 3



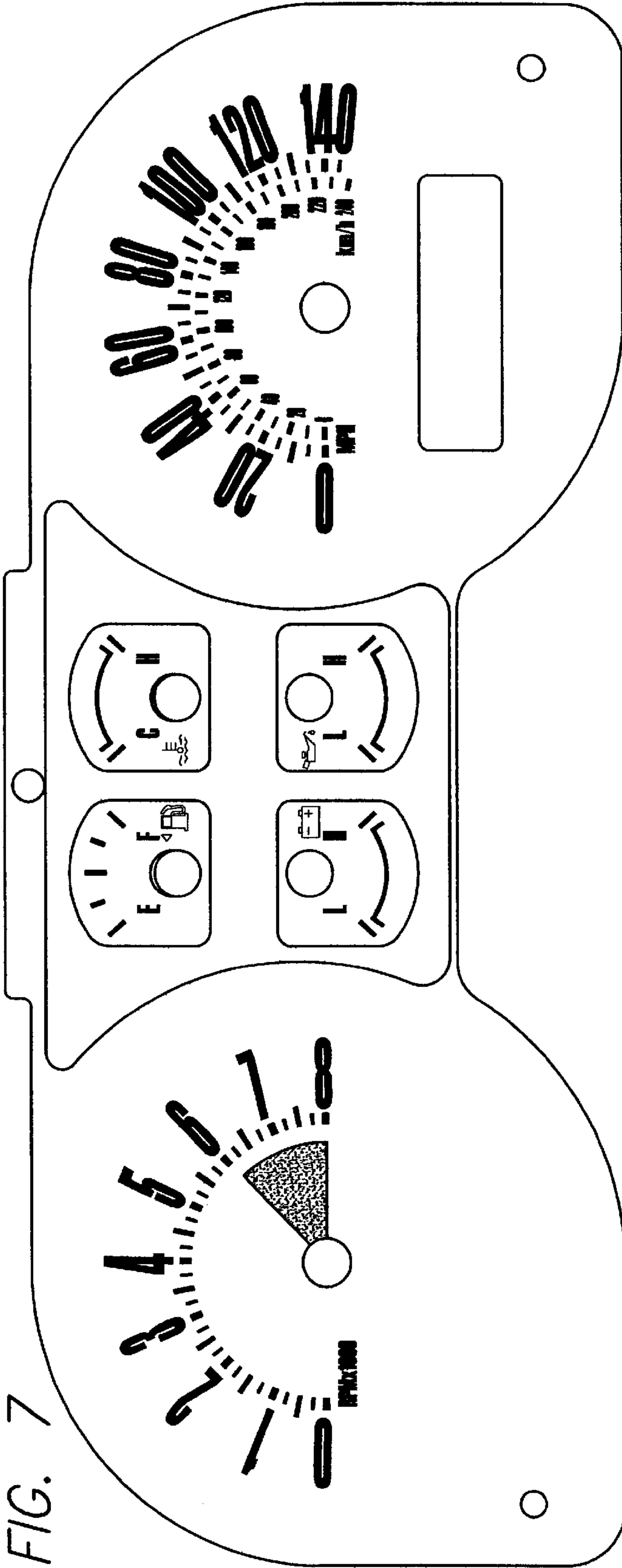


FIG. 8

FIG. 9

