



US00D514995S

(12) **United States Design Patent**  
**Acton et al.**

(10) **Patent No.: US D514,995 S**  
(45) **Date of Patent: \*\* Feb. 14, 2006**

(54) **INSTRUMENT PANEL OF A TRUCK  
VEHICLE**

(75) Inventors: **Jon Acton**, Lewisville, TX (US); **Larry  
N. Reynard**, Fort Wayne, IN (US);  
**Marcey K. Collins**, Fort Wayne, IN  
(US); **Robert S. Tirey**, Fort Wayne, IN  
(US); **Kwan Lee**, Troy, MI (US)

(73) Assignee: **International Truck Intellectual  
Property Company, LLC**, Warrenville,  
IL (US)

(\*\*) Term: **14 Years**

(21) Appl. No.: **29/233,179**

(22) Filed: **Jun. 28, 2005**

(51) **LOC (8) Cl.** ..... **12-16**

(52) **U.S. Cl.** ..... **D12/192**

(58) **Field of Classification Search** ..... D12/192;  
180/90; 280/750-752; 296/70, 190.01-191;  
D10/46, 102, 98, 122-127; D15/28

See application file for complete search history.

(56) **References Cited**

**U.S. PATENT DOCUMENTS**

D339,786 S \* 9/1993 Allendorph et al. .... D12/192

D378,585 S \* 3/1997 Duguid et al. .... D12/192  
D397,977 S \* 9/1998 Hellhake et al. .... D12/192  
D413,095 S \* 8/1999 Abalos et al. .... D12/192  
D427,613 S \* 7/2000 Altmann et al. .... D15/28  
D428,022 S \* 7/2000 Altmann et al. .... D15/28  
D439,556 S \* 3/2001 Beigel ..... D12/192  
D449,263 S \* 10/2001 Yamazaki et al. .... D12/192  
D489,303 S \* 5/2004 Tuzar ..... D12/192  
D489,660 S \* 5/2004 Okumura et al. .... D12/192  
D493,395 S \* 7/2004 Hill et al. .... D12/192  
D499,998 S \* 12/2004 Tanaka et al. .... D12/192  
D501,811 S \* 2/2005 Fukuda et al. .... D12/192

\* cited by examiner

*Primary Examiner*—Stacia Cadmus

(74) *Attorney, Agent, or Firm*—Jeffrey P. Calfa; Dennis  
Kelly Sullivan; Susan L. Lukasik

(57) **CLAIM**

The ornamental design for an instrument panel of a truck  
vehicle, as shown and described.

**DESCRIPTION**

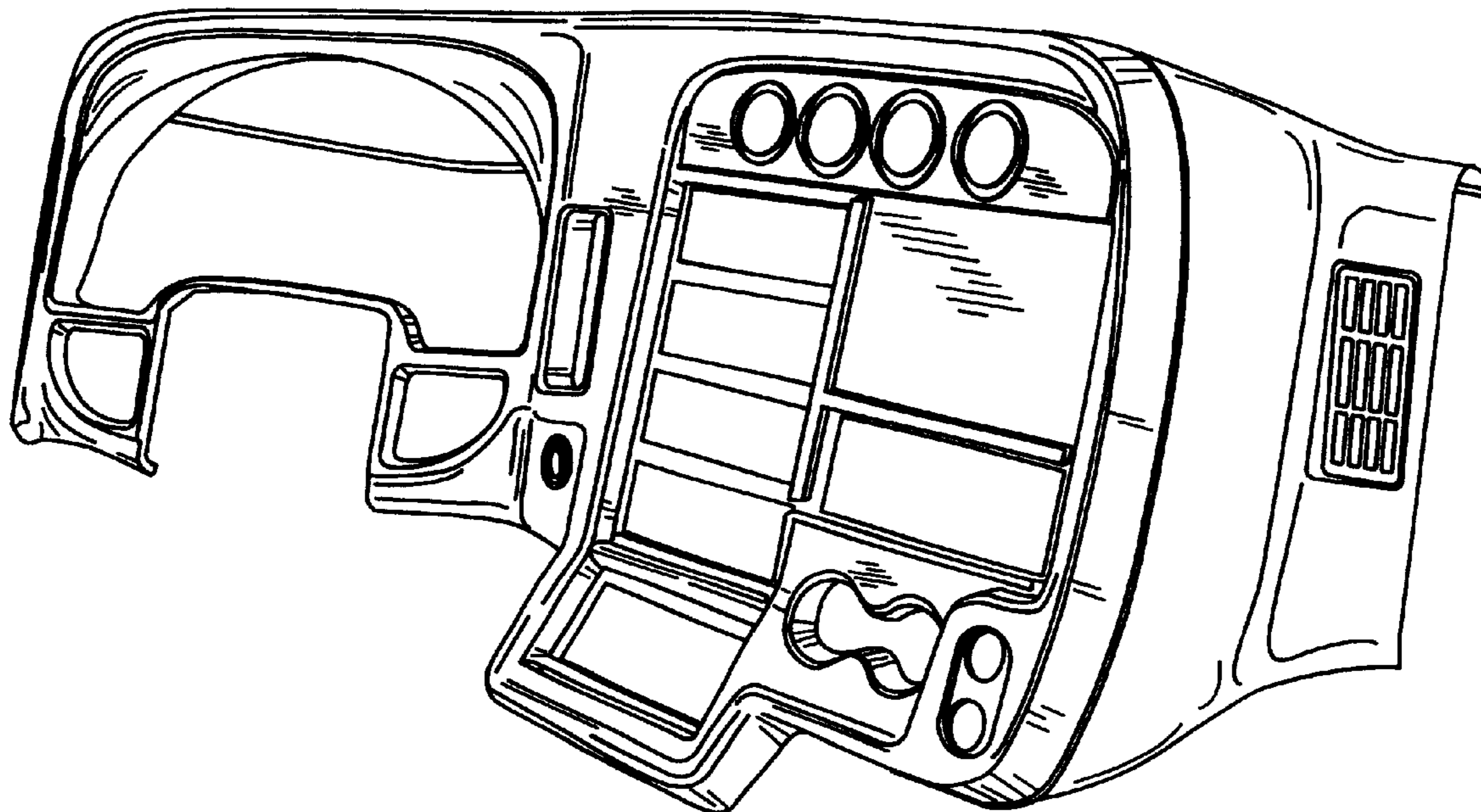
FIG. 1 is a left, front perspective view of an instrument panel  
of a truck showing our new design;

FIG. 2 is a right view thereof;

FIG. 3 is a top down view thereof; and,

FIG. 4 is a front view thereof.

**1 Claim, 2 Drawing Sheets**



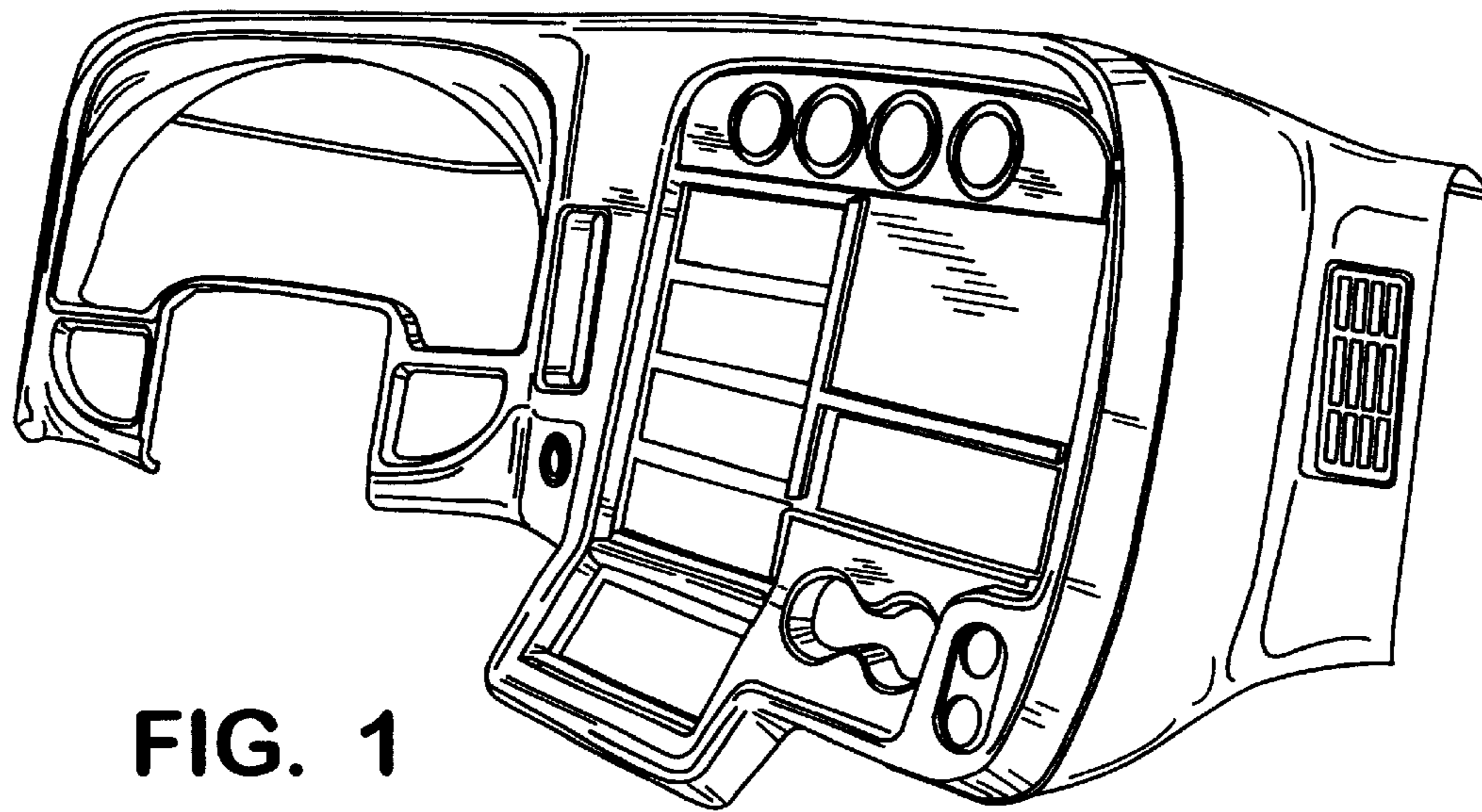


FIG. 1

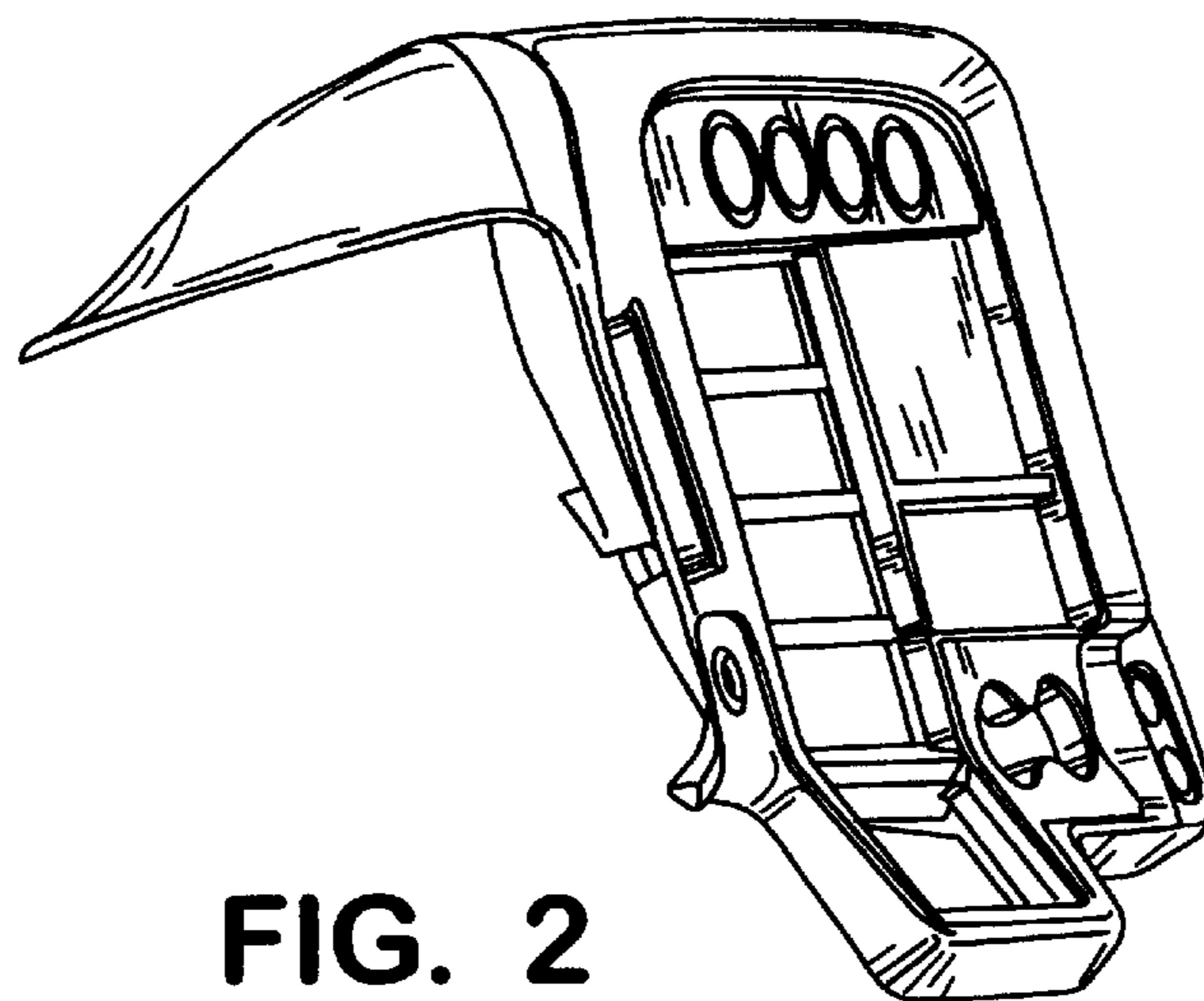


FIG. 2

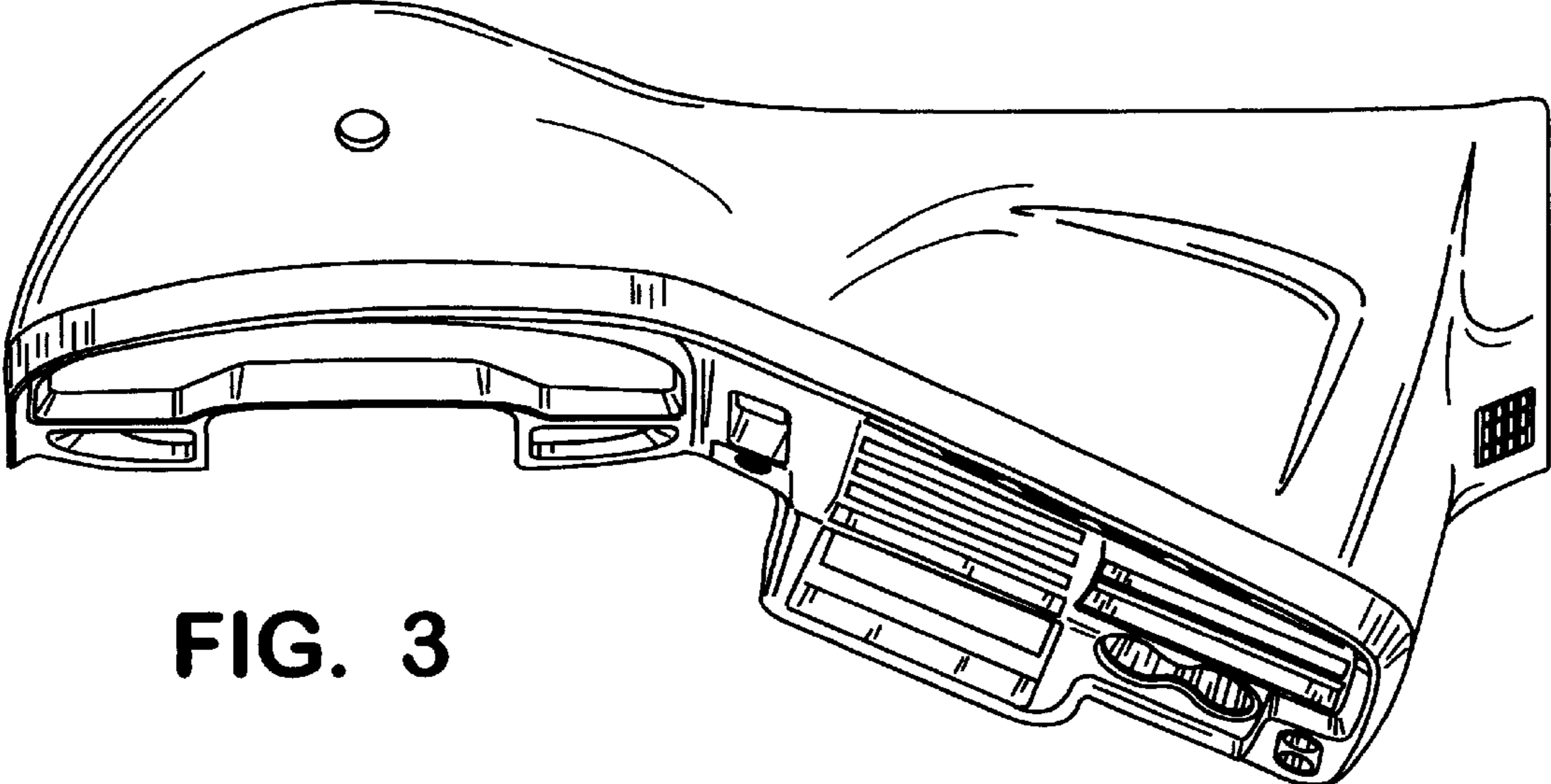


FIG. 3

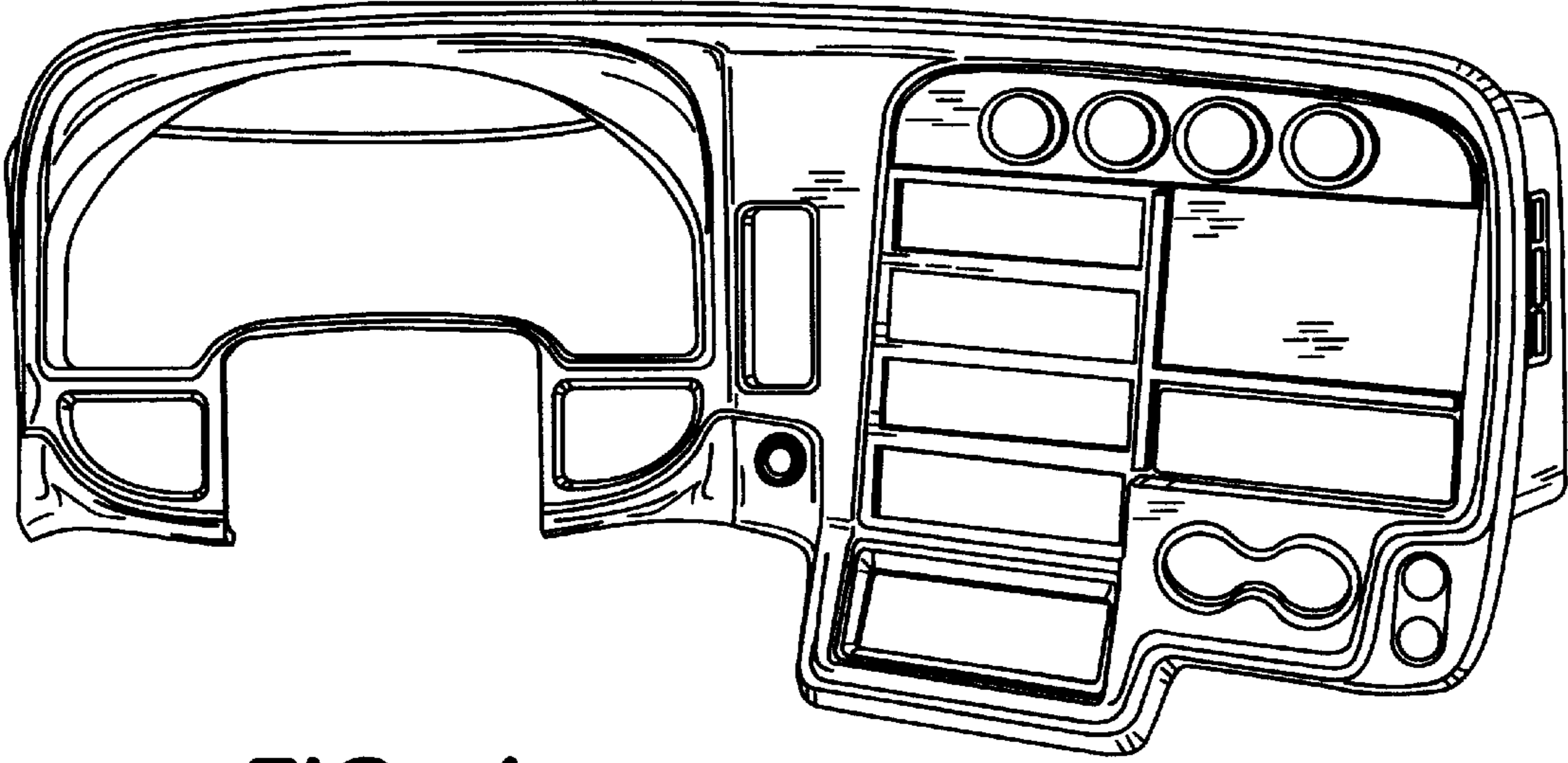


FIG. 4