



US00D514990S

(12) **United States Design Patent**  
**Nagashima**

(10) **Patent No.:** **US D514,990 S**

(45) **Date of Patent:** **\*\* Feb. 14, 2006**

(54) **SURFACE CONFIGURATION OF A FRONT BUMPER FOR A VEHICLE**

D489,648 S \* 5/2004 Gale et al. .... D12/92  
D494,899 S \* 8/2004 Chapman ..... D12/169  
D499,363 S \* 12/2004 Velazco ..... D12/169

(75) Inventor: **Joji Nagashima**, Munich (DE)

\* cited by examiner

(73) Assignee: **Bayerische Motoren Werke Aktiengesellschaft**, Munich (DE)

*Primary Examiner*—Melody N. Brown  
(74) *Attorney, Agent, or Firm*—Crowell & Moring LLP

(\*\*) Term: **14 Years**

(57) **CLAIM**

(21) Appl. No.: **29/217,896**

The ornamental design for a surface configuration of a front bumper for a vehicle, as shown and described.

(22) Filed: **Nov. 24, 2004**

**DESCRIPTION**

(30) **Foreign Application Priority Data**

May 27, 2004 (DE) ..... 40403323

This application is related to co-pending Application Ser. No. 29/217,910, of the inventor, filed on even date herewith and entitled "Surface Configuration of a Vehicle, Toy and/or Other Replicas".

(51) **LOC (8) Cl.** ..... **12-16**

(52) **U.S. Cl.** ..... **D12/169**

(58) **Field of Classification Search** ..... D12/169,  
D12/196, 190, 90-92, 171; 296/180.1, 180.2;  
293/102, 113, 115, 120

FIG. 1 is a right perspective view of a surface configuration of a front bumper for a vehicle according to my novel design;

See application file for complete search history.

FIG. 2 is a front view of the surface configuration of a front bumper for a vehicle according to my novel design;

FIG. 3 is a top view of the surface configuration of a front bumper for a vehicle according to my novel design;

(56) **References Cited**

**U.S. PATENT DOCUMENTS**

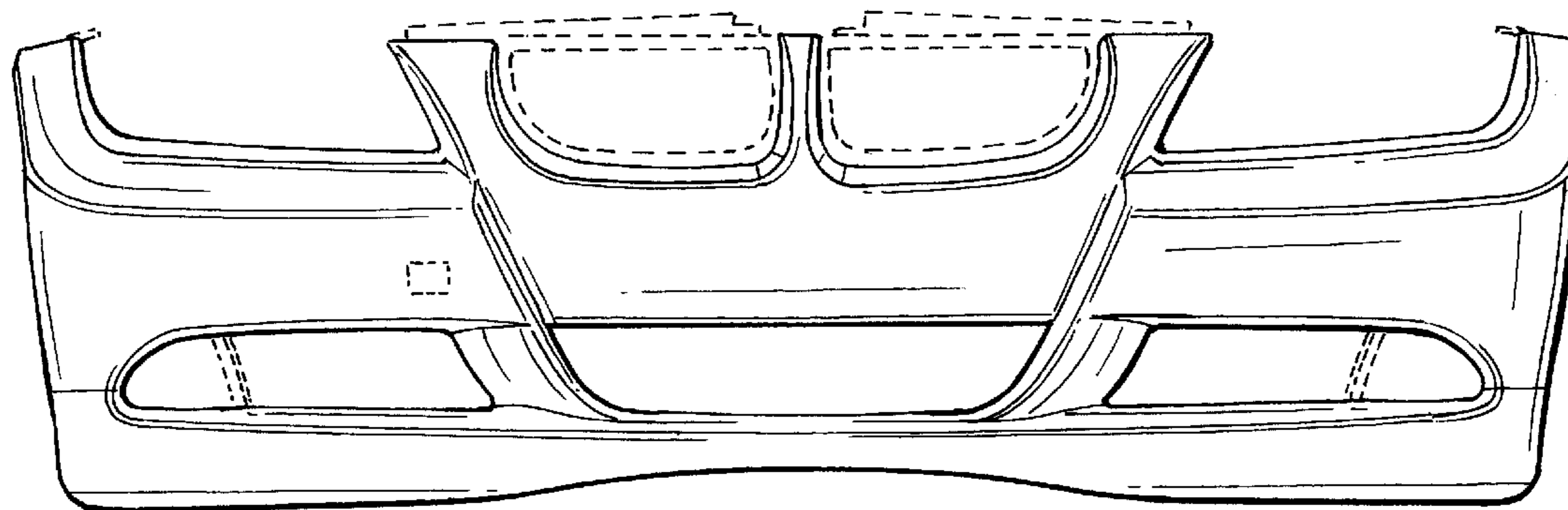
D392,220 S \* 3/1998 Haussmann ..... D12/91  
D426,503 S \* 6/2000 Goplen ..... D12/169  
D436,059 S \* 1/2001 Goplen ..... D12/91  
D464,914 S \* 10/2002 Warkuss et al. .... D12/91  
D467,206 S \* 12/2002 Warming ..... D12/169  
D476,277 S \* 6/2003 Yokomaku ..... D12/196  
D479,699 S \* 9/2003 Boyer ..... D12/169  
D486,432 S \* 2/2004 Chan ..... D12/169

FIG. 4 is a left side view of the surface configuration of a front bumper for a vehicle according to my novel design; and,

FIG. 5 is a right side view of the surface configuration of a front bumper for a vehicle according to my novel design.

The broken lines are for illustrative purposes only and form no part of the claimed design.

**1 Claim, 2 Drawing Sheets**



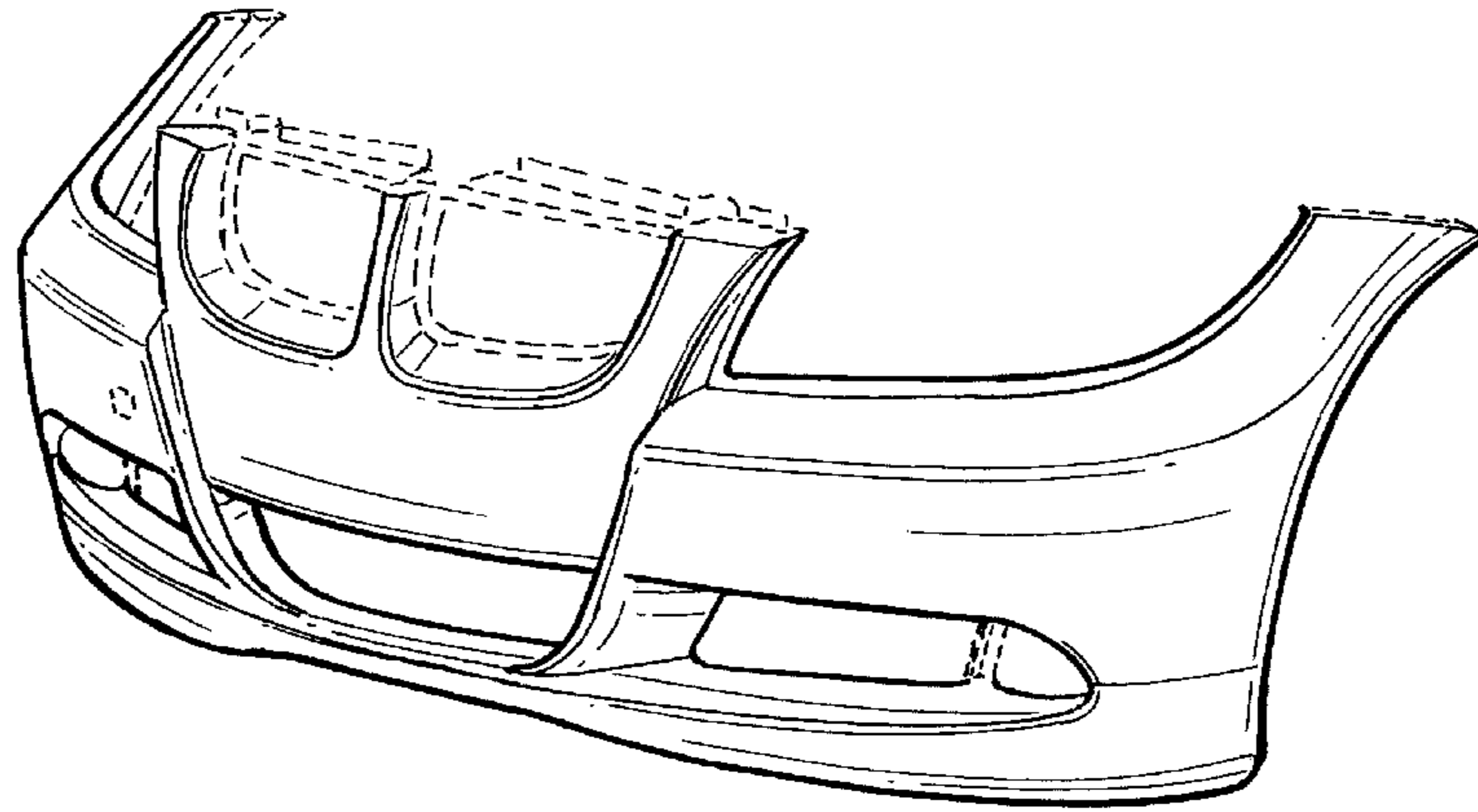


FIG. 1

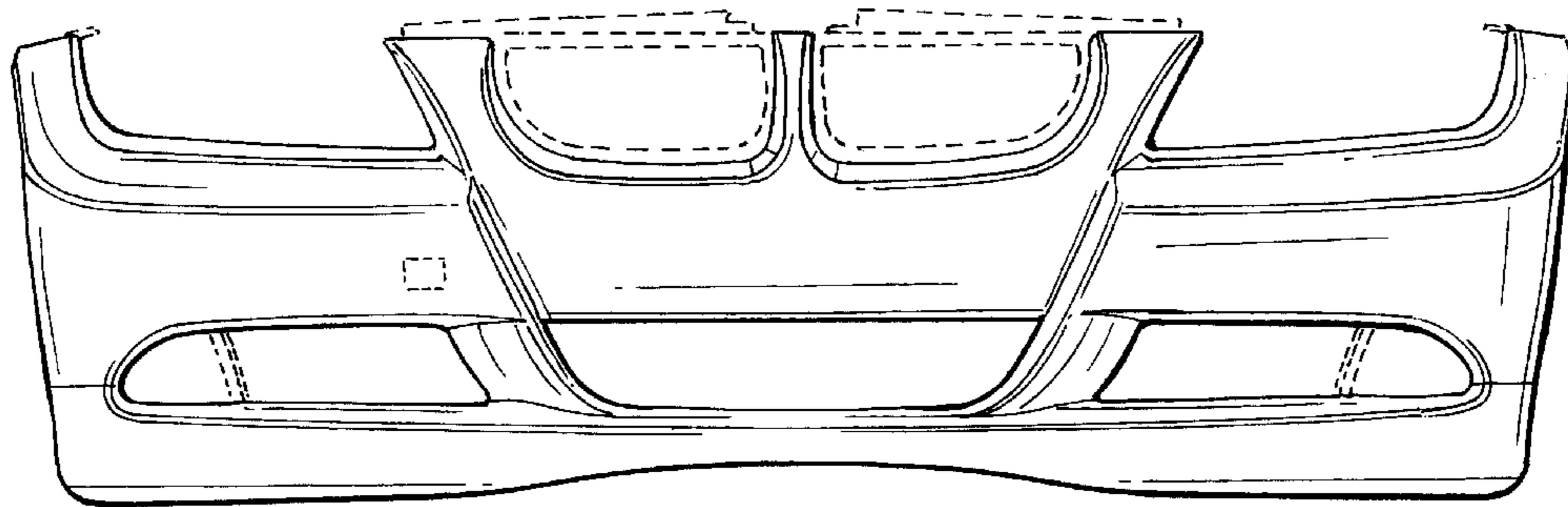


FIG. 2

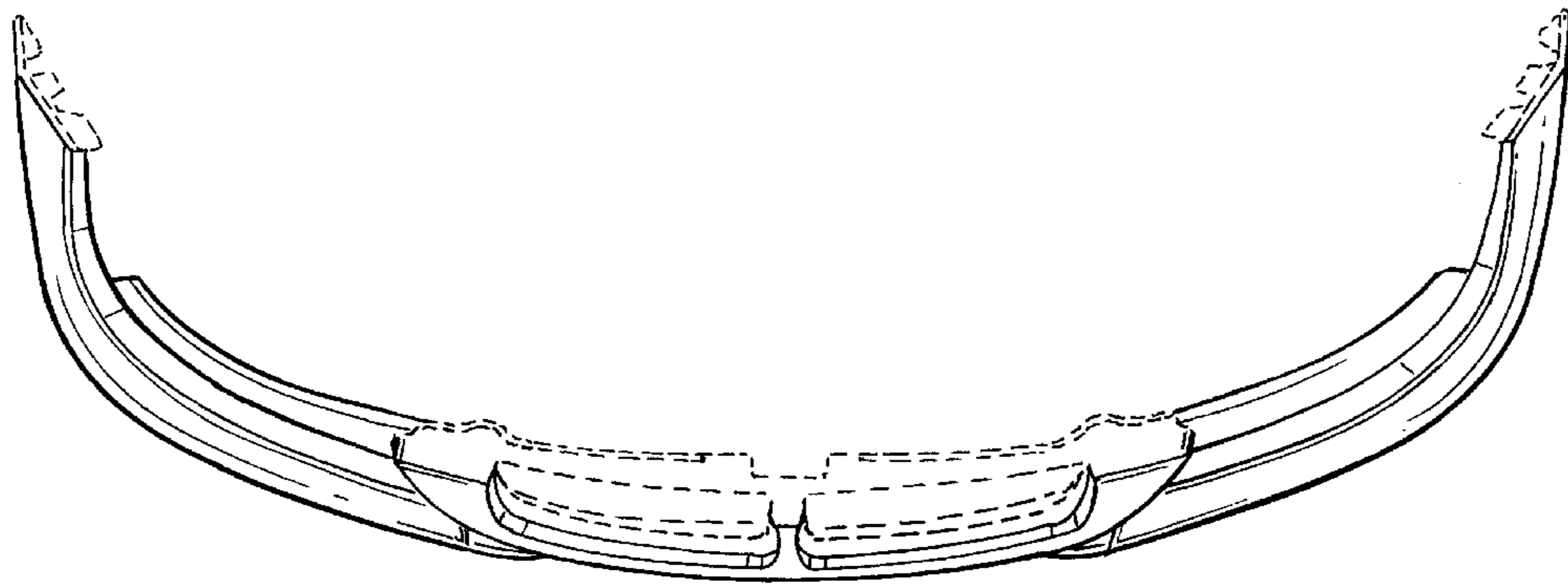


FIG. 3

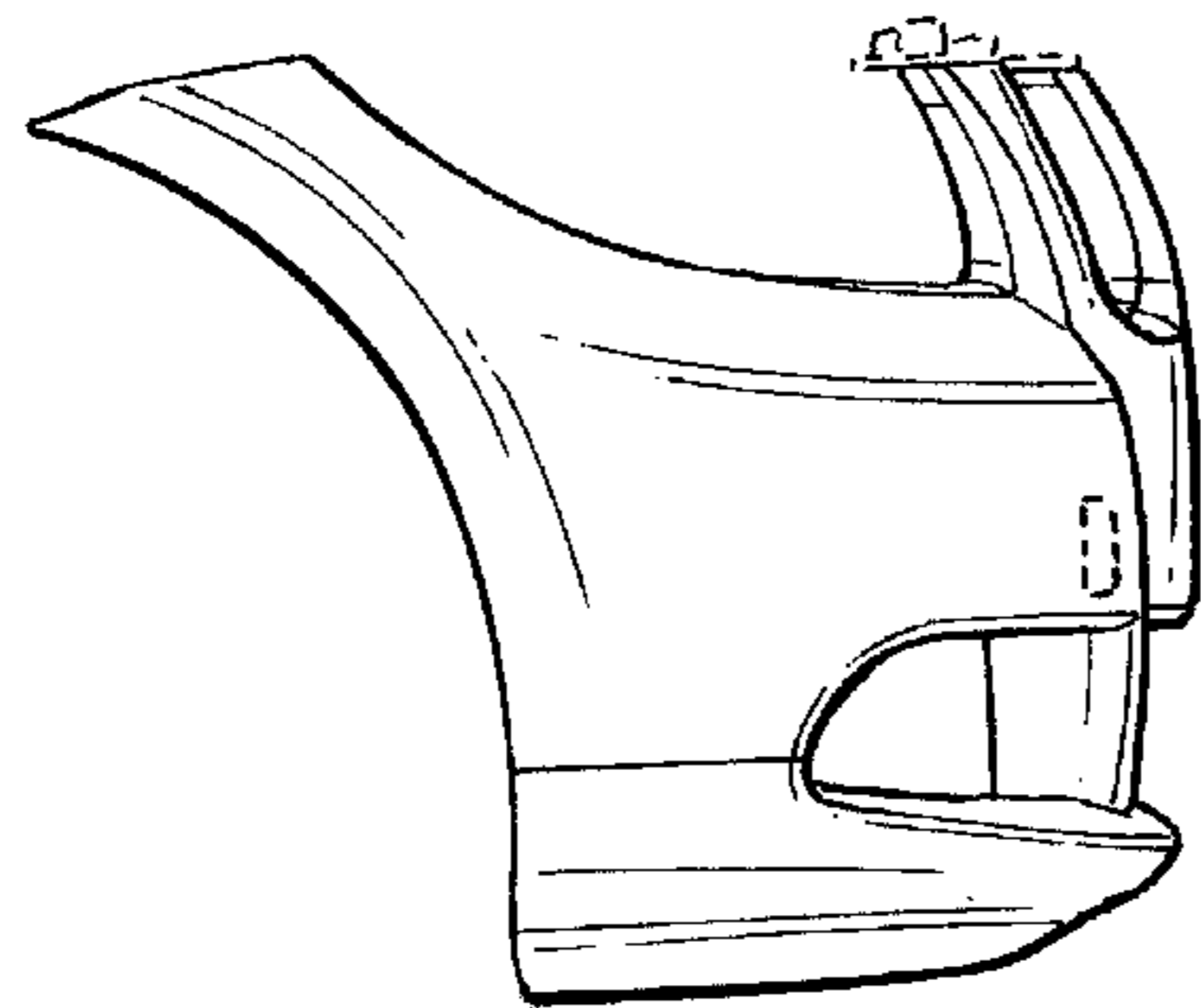


FIG. 4

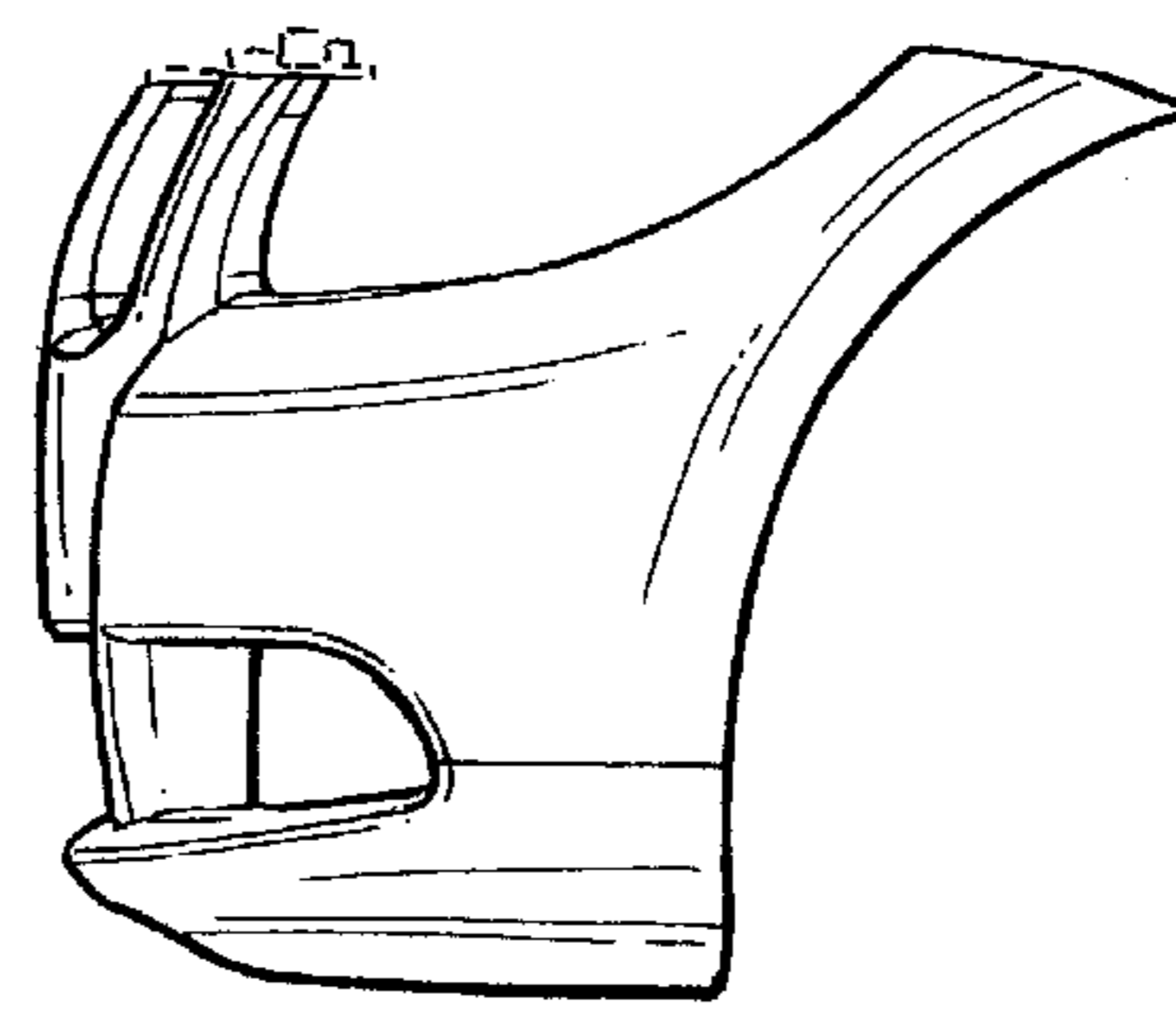


FIG. 5