



US00D514988S

(12) **United States Design Patent**
Blankenship

(10) **Patent No.:** **US D514,988 S**
(45) **Date of Patent:** **** Feb. 14, 2006**

(54) **BICYCLE**

(76) **Inventor:** **Franklin L. Blankenship**, 5874
Wildlife Trail NW., Acworth, GA (US)
30101

(**) **Term:** **14 Years**

(21) **Appl. No.:** **29/213,167**

(22) **Filed:** **Sep. 14, 2004**

(51) **LOC (8) Cl.** **12-11**

(52) **U.S. Cl.** **D12/111**

(58) **Field of Classification Search** **D12/111;**
280/274-288, 288.1-288.3

See application file for complete search history.

(56) **References Cited**

U.S. PATENT DOCUMENTS

D499,360 S * 12/2004 Blankenship D12/111
2002/0185837 A1 * 12/2002 Aloy Estelrich 280/288.1

OTHER PUBLICATIONS

<http://www.Sussex.com.tw/se5.htm>, Chainless Bicycle,
printed Dec. 14, 2004, 5 pp.

* cited by examiner

Primary Examiner—Alan P. Douglas

Assistant Examiner—Linda Brooks

(74) *Attorney, Agent, or Firm*—Pepper Hamilton LLP

(57) **CLAIM**

The ornamental design for a bicycle, as shown and
described.

DESCRIPTION

FIG. 1 is a perspective view of the bicycle showing my new
design;

FIG. 2 is a front view of the bicycle showing my new design;

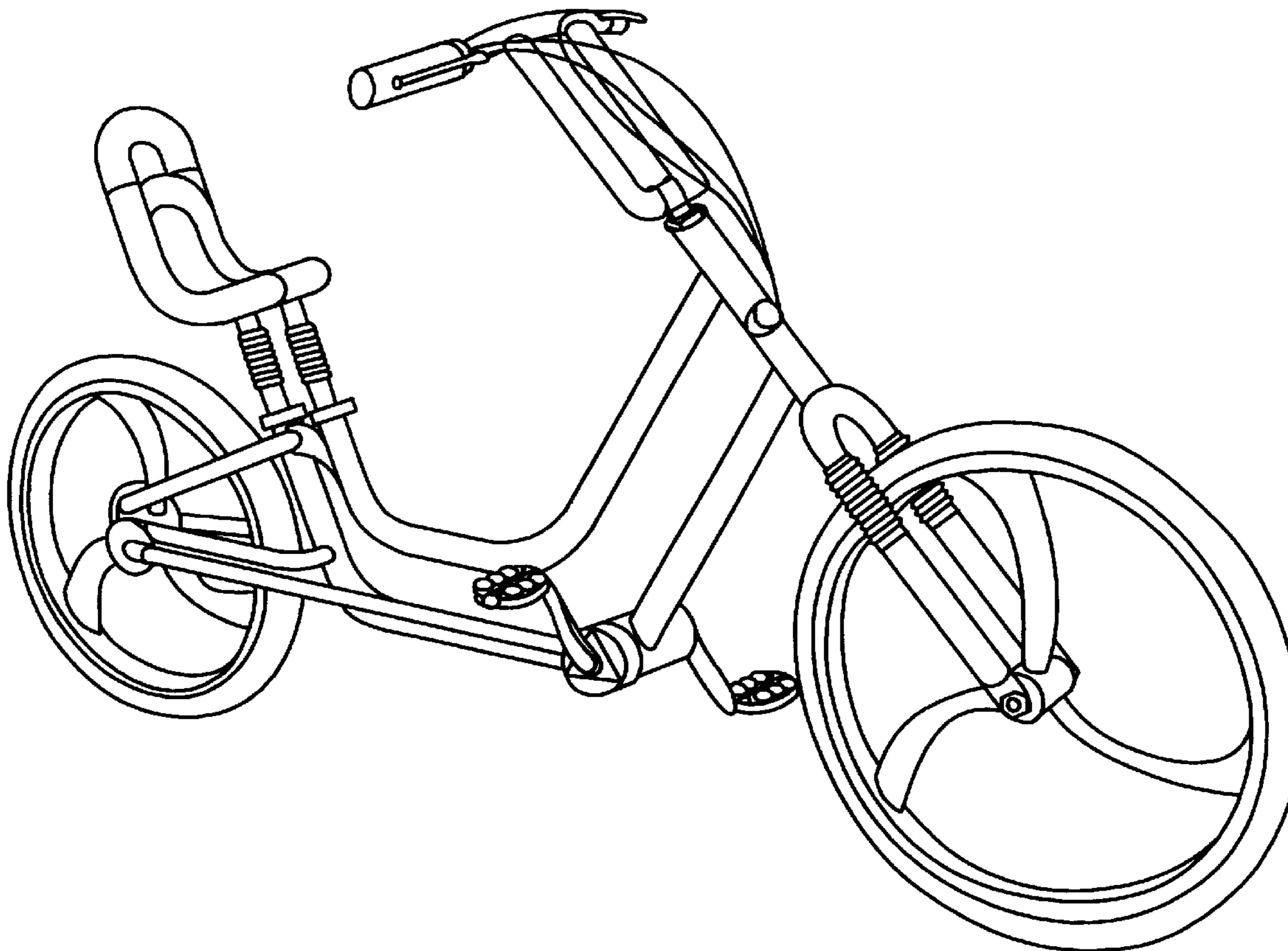
FIG. 3 is a rear view of the bicycle showing my new design;

FIG. 4 is a side view of the bicycle showing my new design;

and,

FIG. 5 is a top view of the bicycle showing my new design.

1 Claim, 4 Drawing Sheets



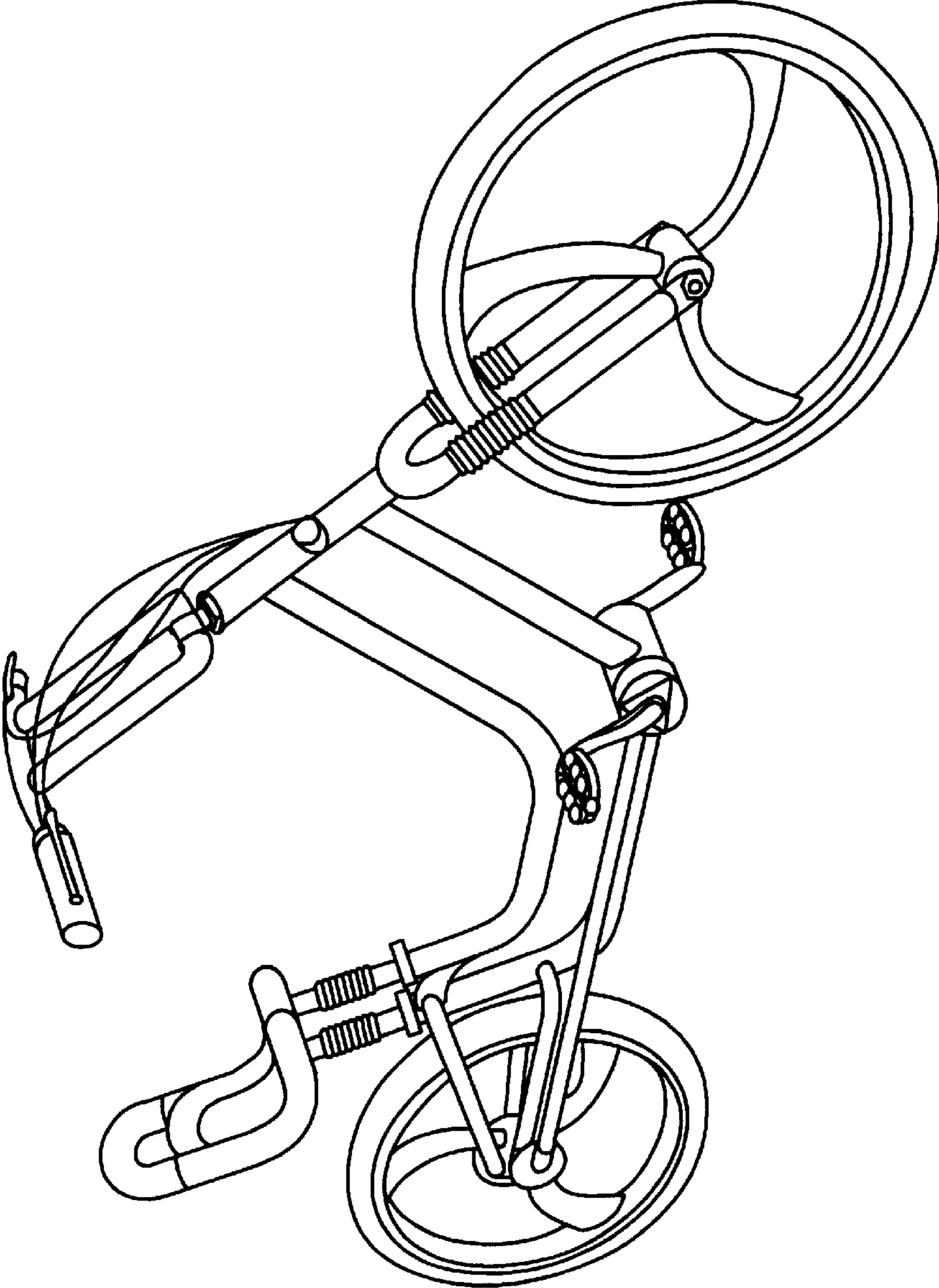


FIG. 1

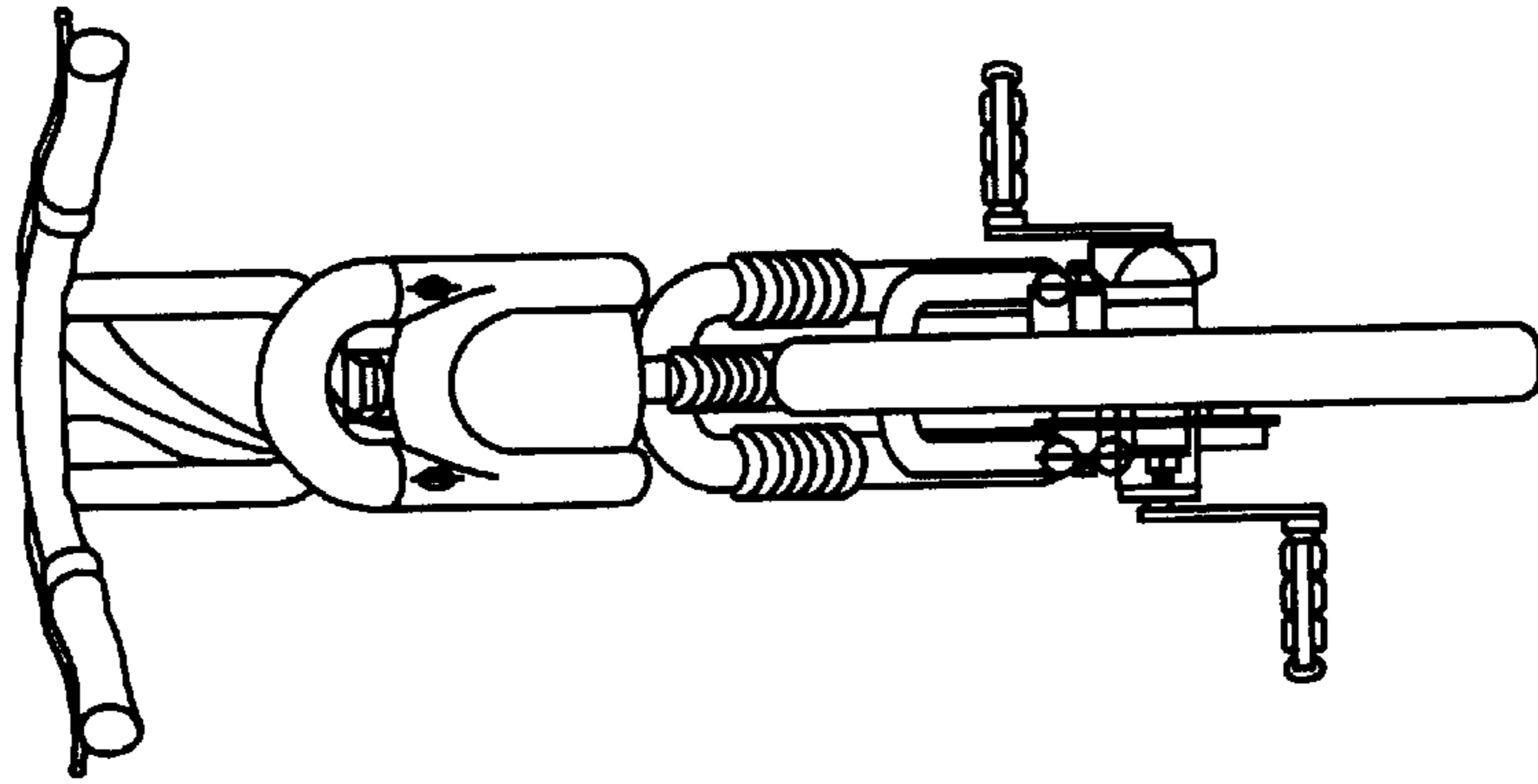


FIG. 3

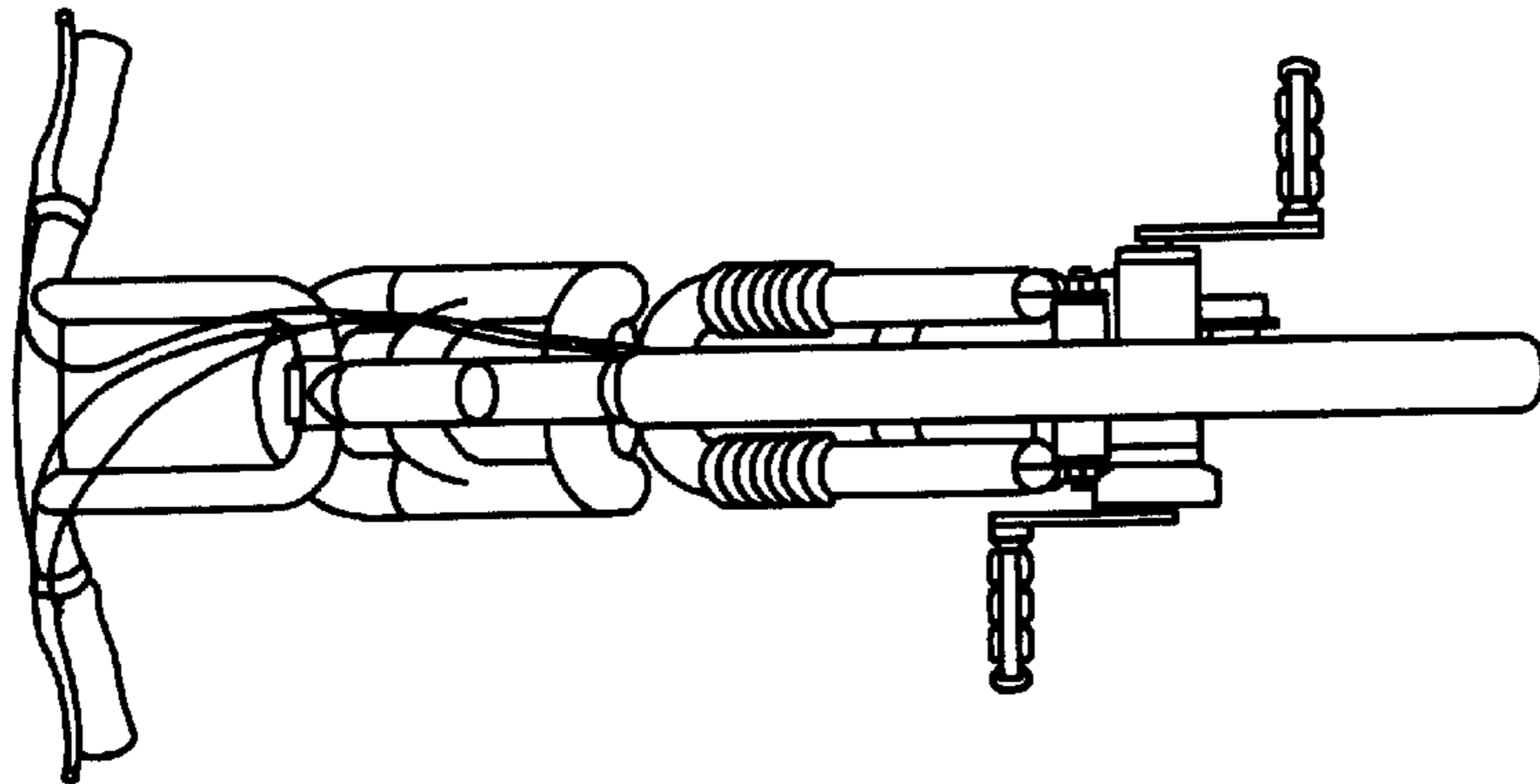


FIG. 2

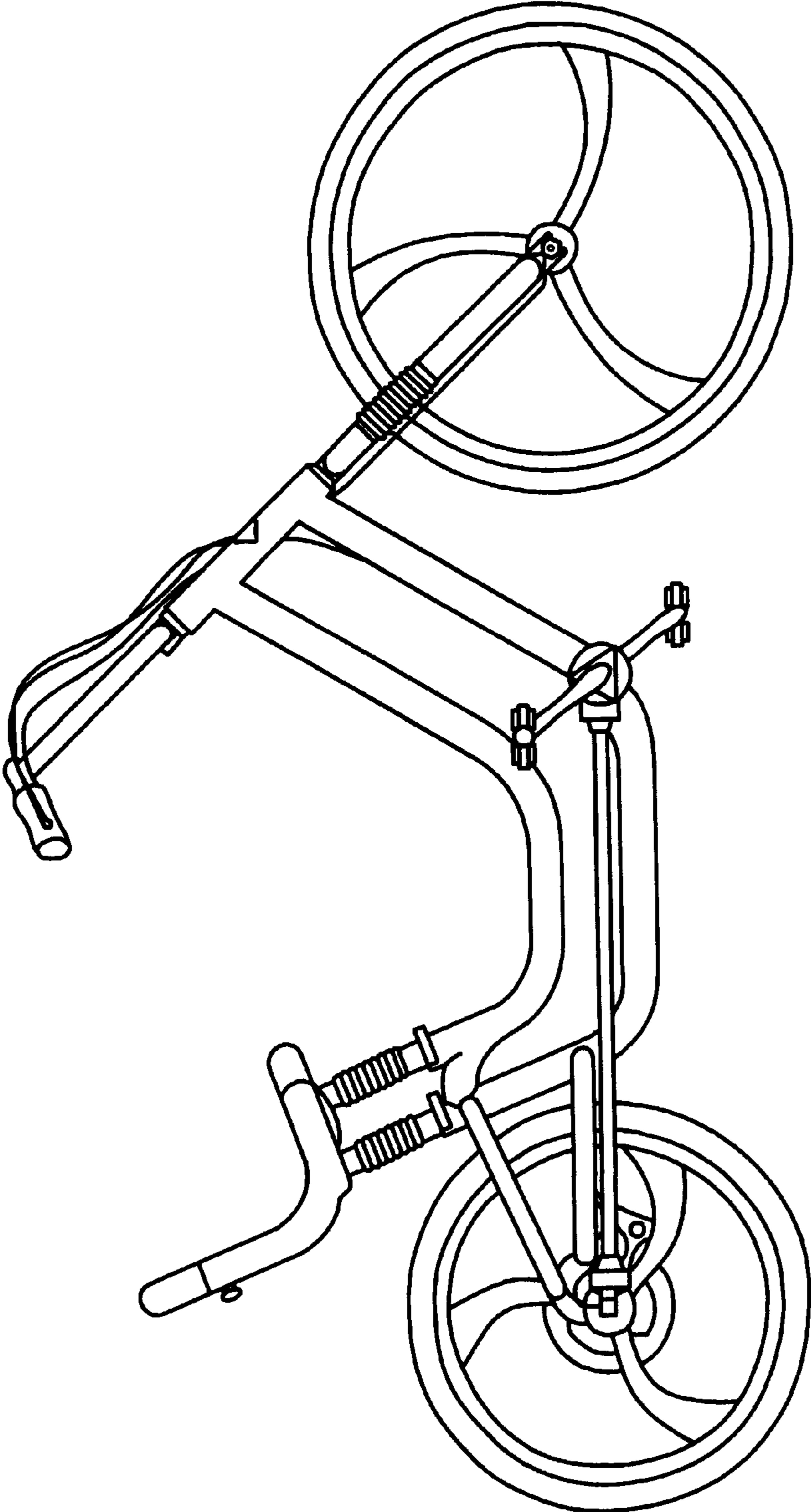


FIG. 4

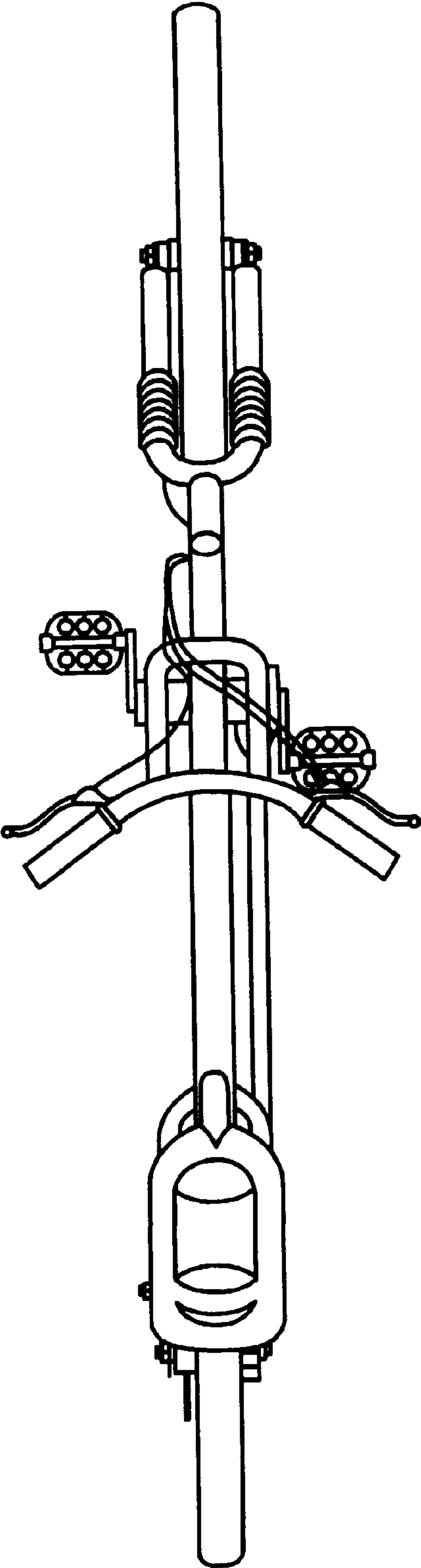


FIG. 5