



US00D514983S

(12) **United States Design Patent**
Renkert et al.

(10) **Patent No.: US D514,983 S**
(45) **Date of Patent: ** Feb. 14, 2006**

(54) **AUTOMOBILE BODY**
(75) Inventors: **Donald A Renkert**, Royal Oak, MI (US); **John P Sgalia**, Farmington Hills, MI (US); **Dan M Zimmermann**, Bloomfield Township, MI (US)

D497,572 S * 10/2004 Widmann et al. D12/91
D500,460 S 1/2005 Allen et al.
D506,955 S 7/2005 Allen et al.
D507,766 S * 7/2005 McMahan et al. D12/91
D508,441 S * 8/2005 Moushegian et al. D12/91

* cited by examiner

(73) Assignee: **DaimlerChrysler Corporation**, Auburn Hills, MI (US)

Primary Examiner—Melody N. Brown
(74) *Attorney, Agent, or Firm*—Ralph E. Smith

(**) Term: **14 Years**

(57) **CLAIM**

(21) Appl. No.: **29/219,744**

The ornamental design for an automobile body, as shown and described.

(22) Filed: **Dec. 21, 2004**

DESCRIPTION

(51) **LOC (8) Cl.** **12-08**
(52) **U.S. Cl.** **D12/91**
(58) **Field of Classification Search** D12/90-92,
D12/86; D21/424, 433; 296/181.1, 181.5
See application file for complete search history.

FIG. 1 is a front perspective view of an automobile body showing our new design;
FIG. 2 is a side view thereof;
FIG. 3 is a front view thereof;
FIG. 4 is a rear view thereof; and,
FIG. 5 is a rear perspective view thereof.

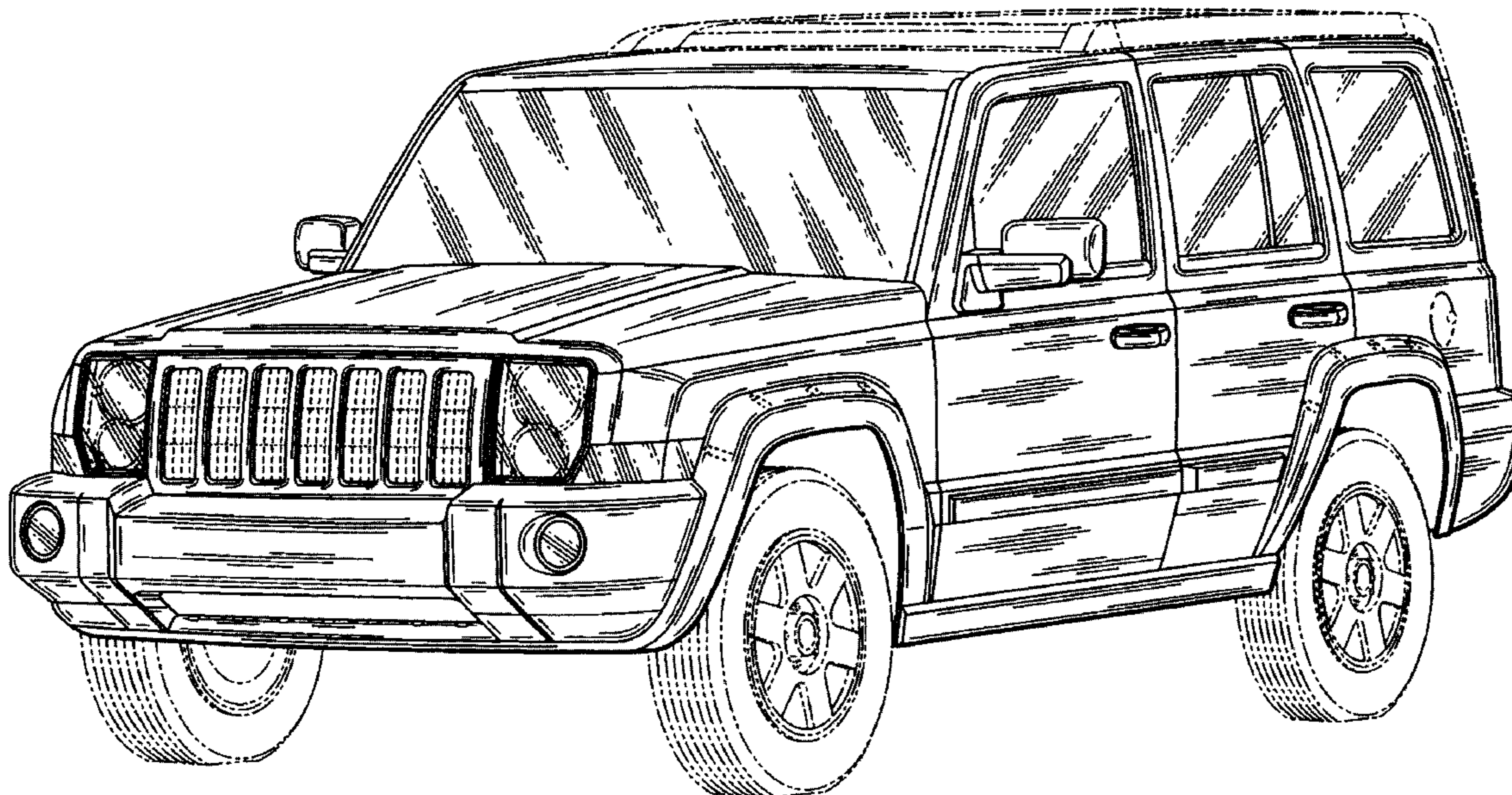
It will be understood that the dashed lines presented in the drawings are for illustration only, and do not form a part of the claimed design.

(56) **References Cited**

U.S. PATENT DOCUMENTS

D350,504 S 9/1994 Nixon
D424,992 S 5/2000 Faurote

1 Claim, 4 Drawing Sheets



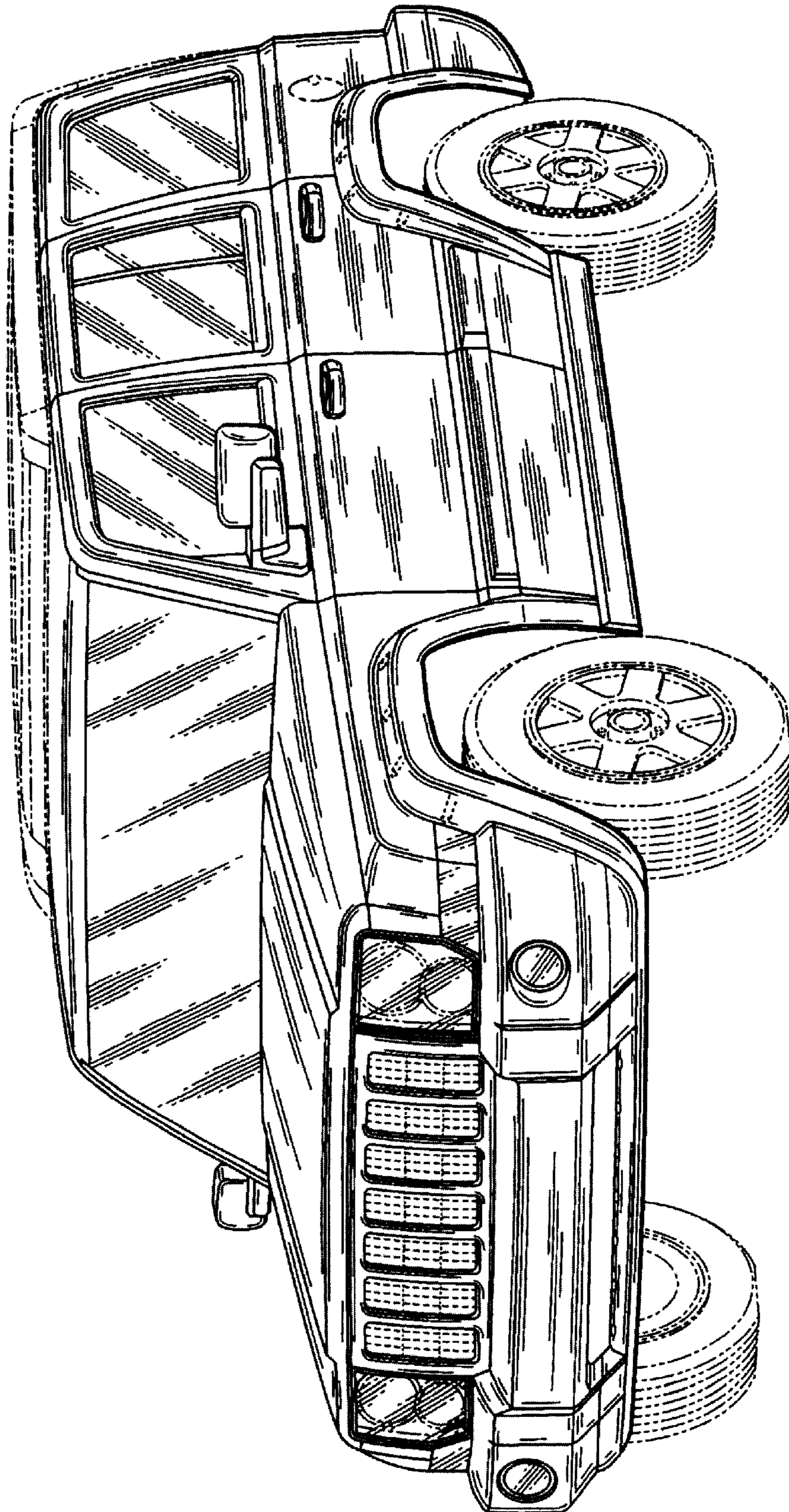


Fig. 1

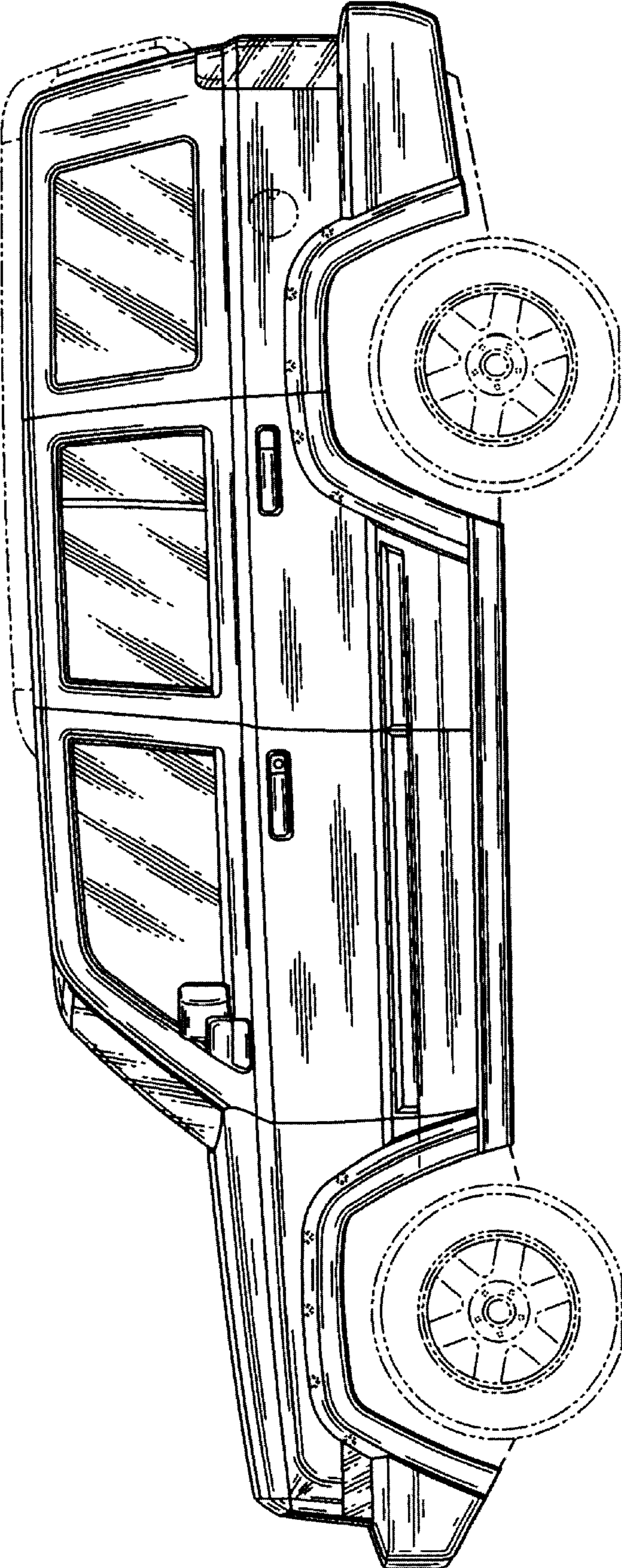


Fig. 2

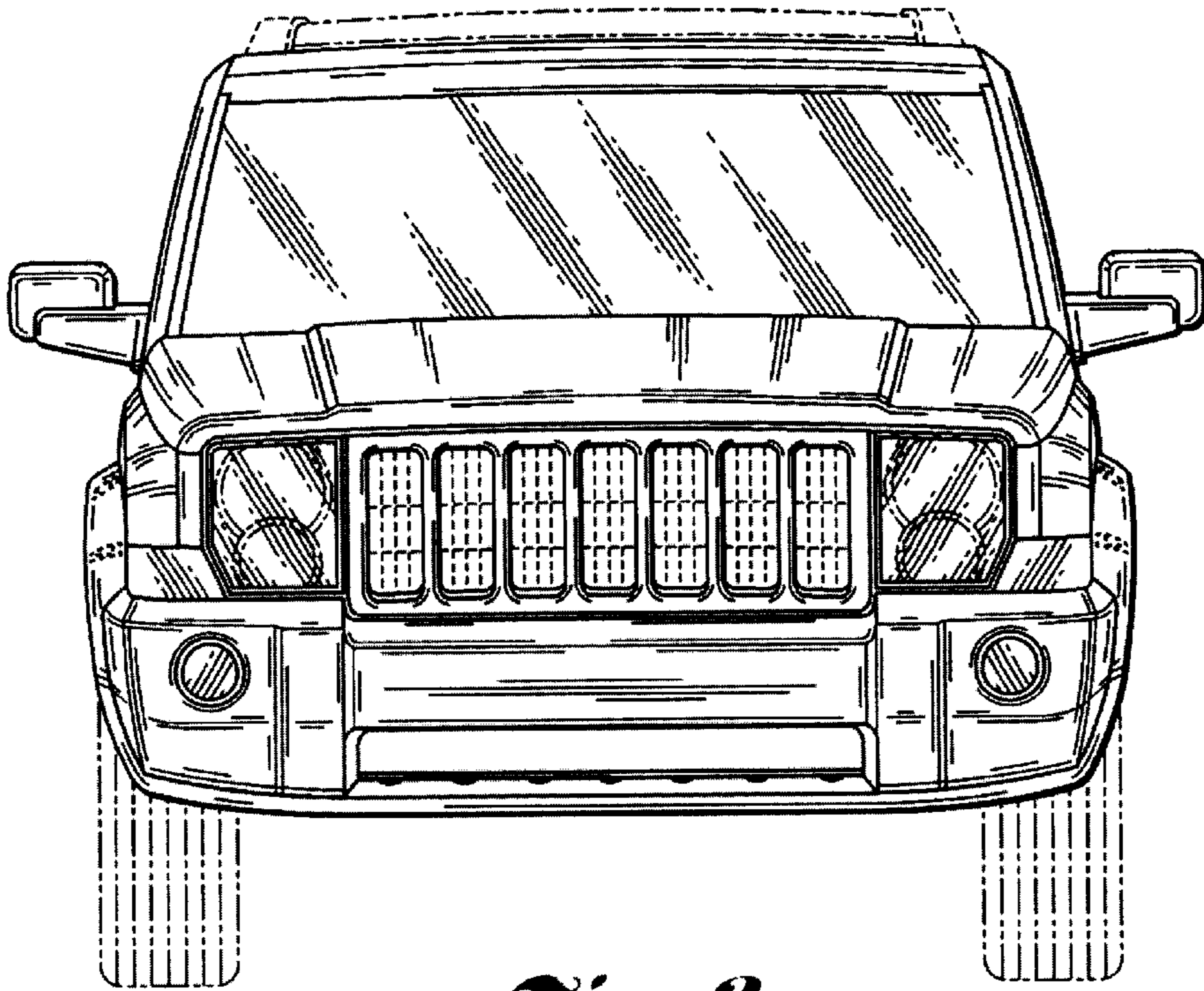


Fig. 3

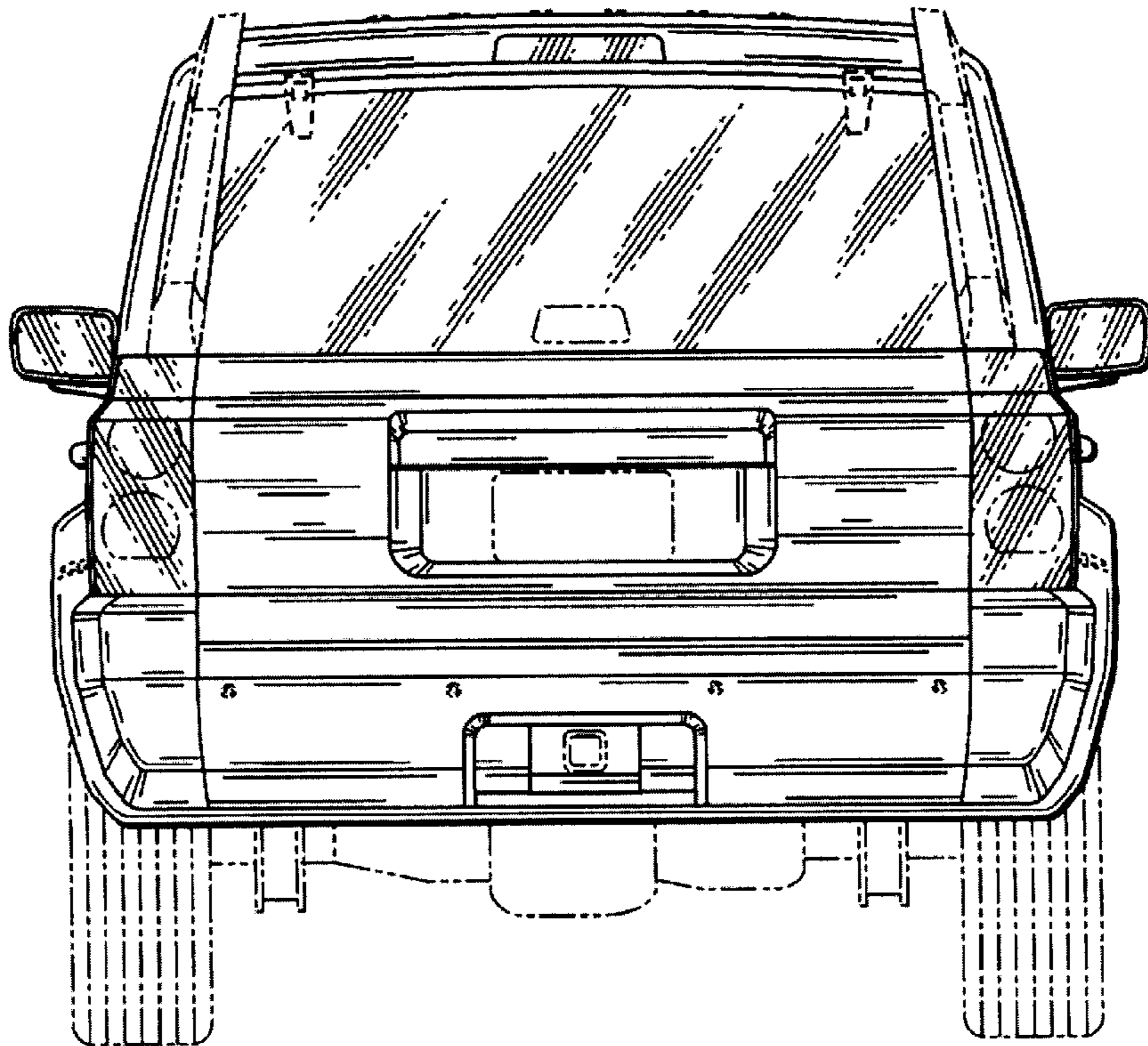


Fig. 4

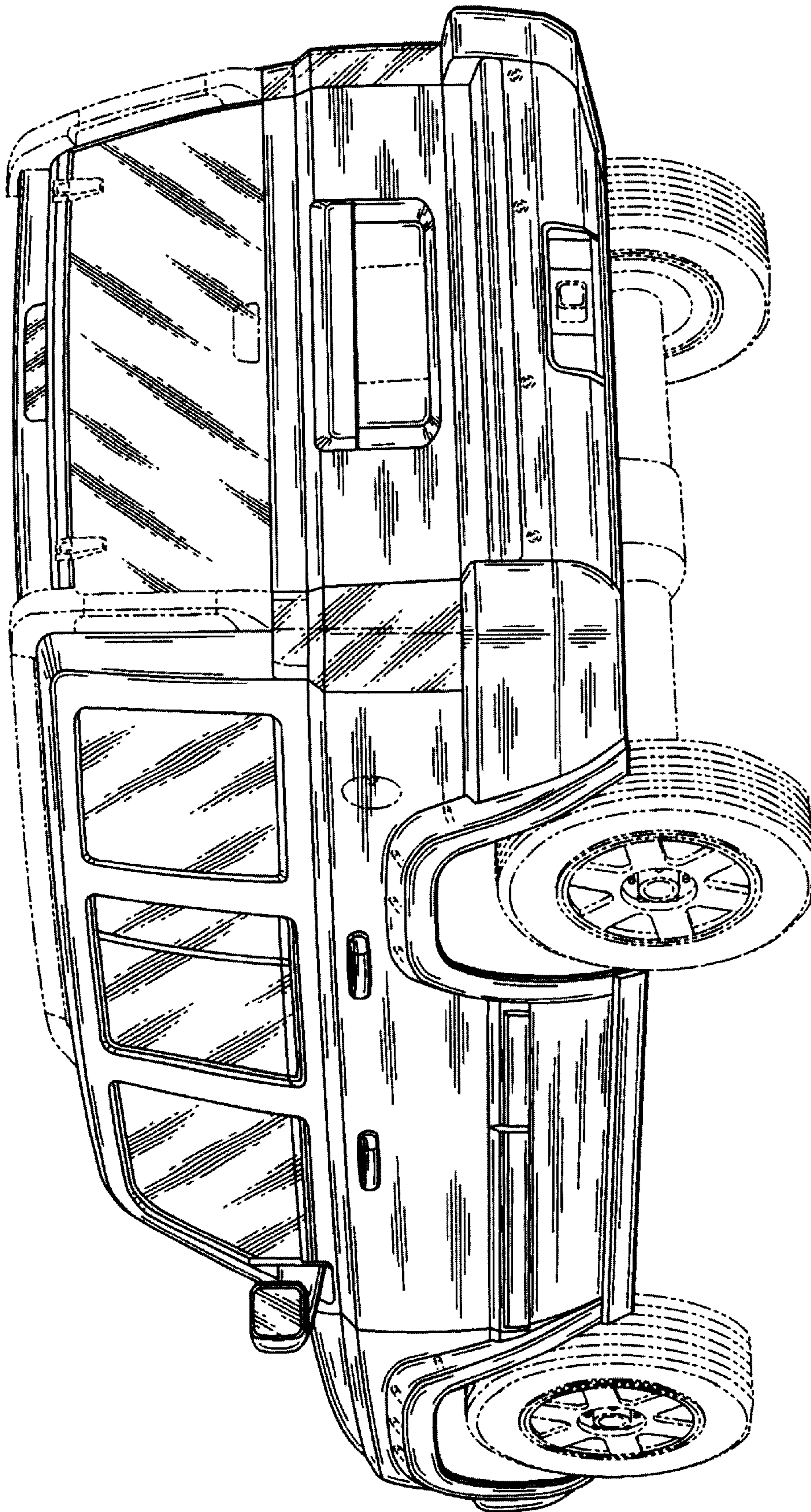


Fig. 5