



US00D514981S

(12) **United States Design Patent**  
**Andrews et al.**

(10) **Patent No.:** **US D514,981 S**  
(45) **Date of Patent:** **\*\* Feb. 14, 2006**

(54) **GOLF CAR**  
(75) Inventors: **Keith R. Andrews**, Grand Junction, CO (US); **Kevin Fitzgerald**, Long Beach, CA (US); **Larry P. Johnson**, Grand Junction, CO (US); **Jim Wilson**, Grand Junction, CO (US)

D345,717 S 4/1994 Molzon et al. .... D12/16  
D345,718 S 4/1994 Molzon et al. .... D12/16  
D369,762 S 5/1996 Molzon et al. .... D12/16  
D373,099 S \* 8/1996 Molzon et al. .... D12/16  
D395,023 S \* 6/1998 Hikida ..... D12/16  
D432,460 S \* 10/2000 Huang ..... D12/16  
D498,704 S \* 11/2004 Bonner et al. .... D12/16

\* cited by examiner

(73) Assignee: **Fairplay Electric Cars, LLC**, Grand Junction, CO (US)

*Primary Examiner*—Stacia Cadmus

(\*\*) Term: **14 Years**

(74) *Attorney, Agent, or Firm*—Dykema Gossett PLLC

(21) Appl. No.: **29/226,521**

(22) Filed: **Mar. 30, 2005**

(57) **CLAIM**

The ornamental design for a golf car, as shown and described.

(51) **LOC (8) Cl.** ..... **12-02**

(52) **U.S. Cl.** ..... **D12/16**

(58) **Field of Classification Search** ..... D12/1,  
D12/16, 14, 82, 83, 85, 107; 280/DIG. 5;  
224/274; 180/233, 908, 6.5, 89.1; 296/186  
See application file for complete search history.

**DESCRIPTION**

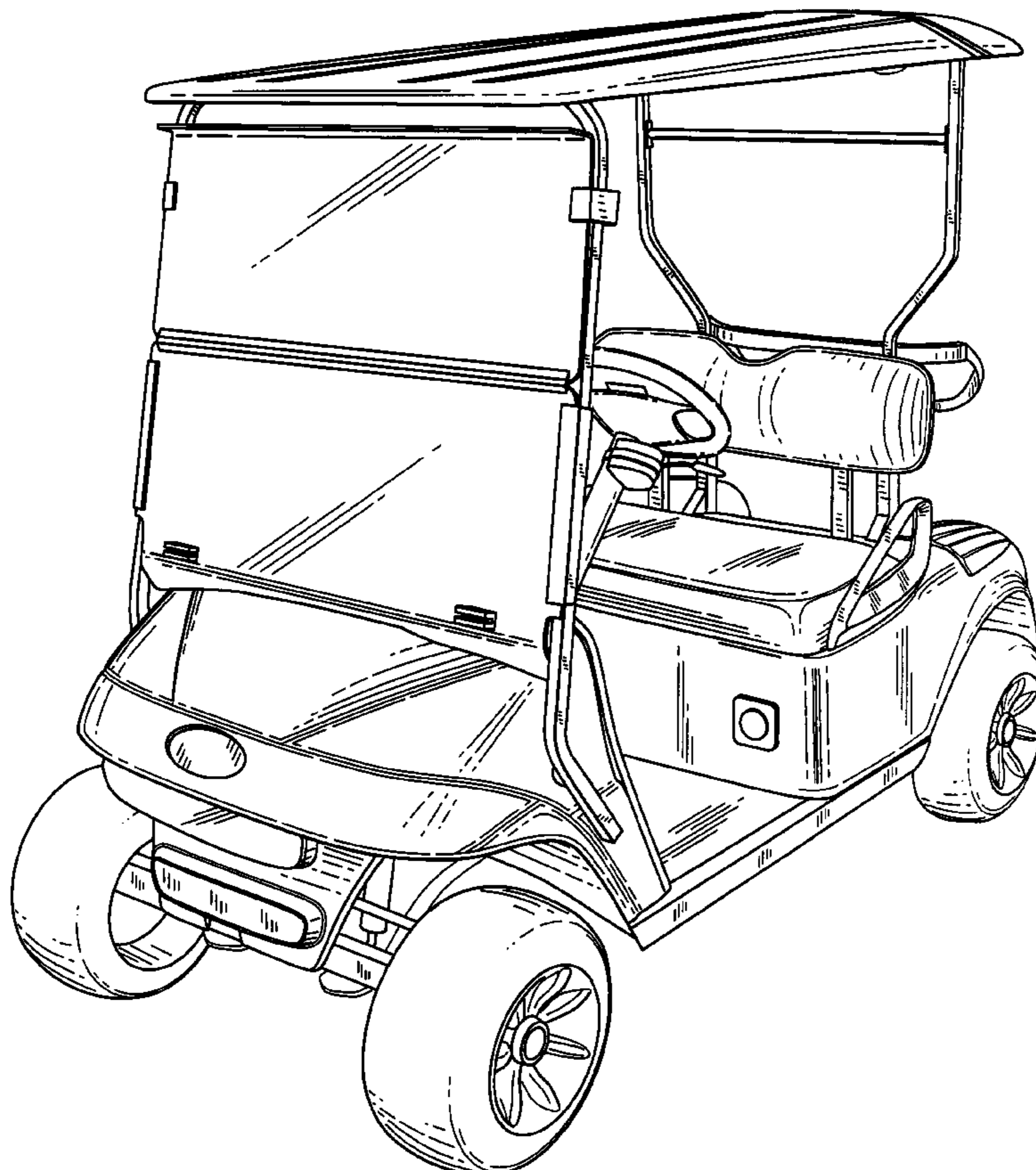
FIG. 1 is a perspective view of a golf car showing our new design.  
FIG. 2 is a side elevation view thereof, the opposite side being a mirror image;  
FIG. 3 is a front elevation view thereof,  
FIG. 4 is a rear elevation view thereof;  
FIG. 5 is a top plan view thereof; and,  
FIG. 6 is a top plan view thereof with the roof and its associated mounting assembly removed.

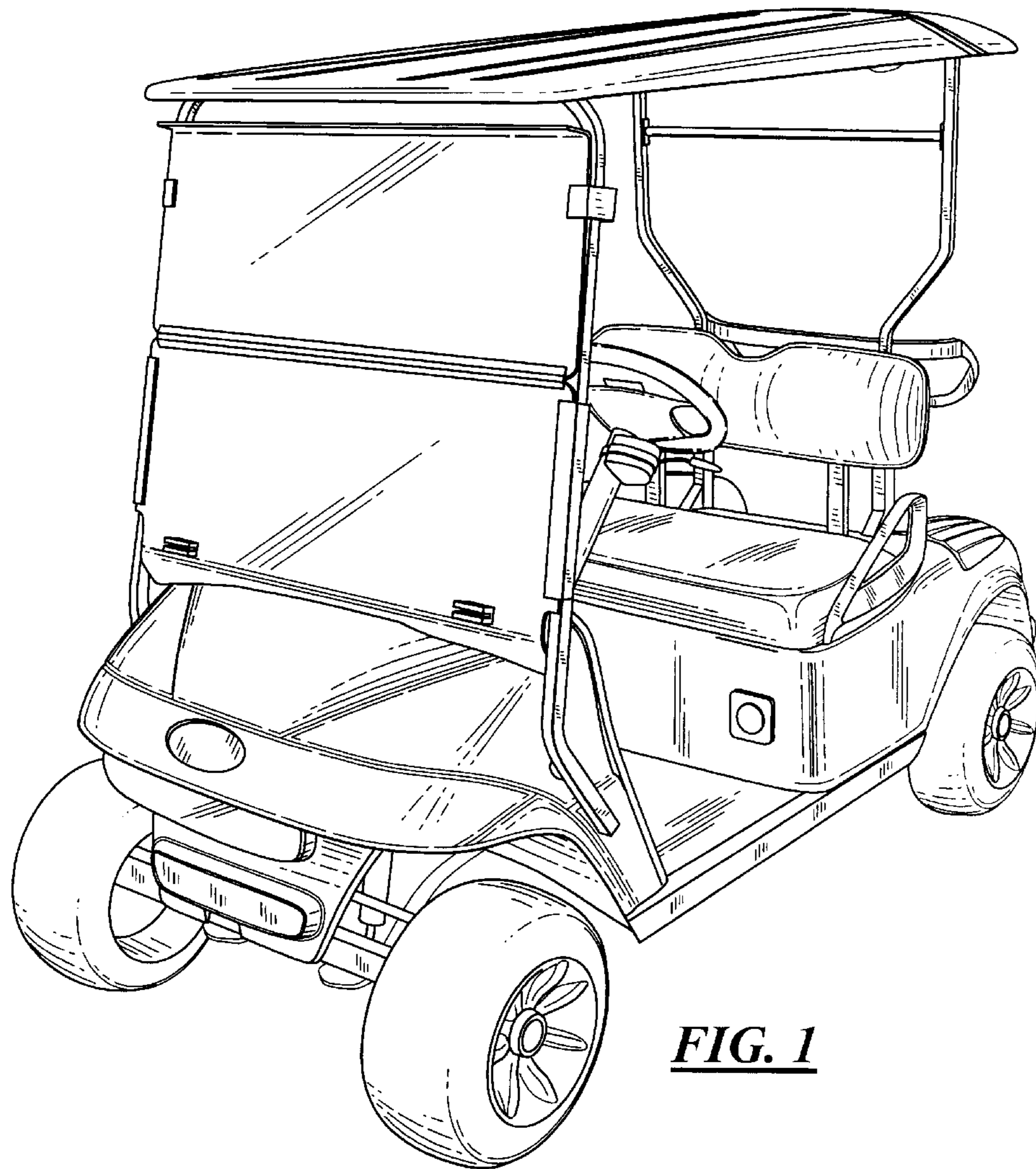
(56) **References Cited**

**U.S. PATENT DOCUMENTS**

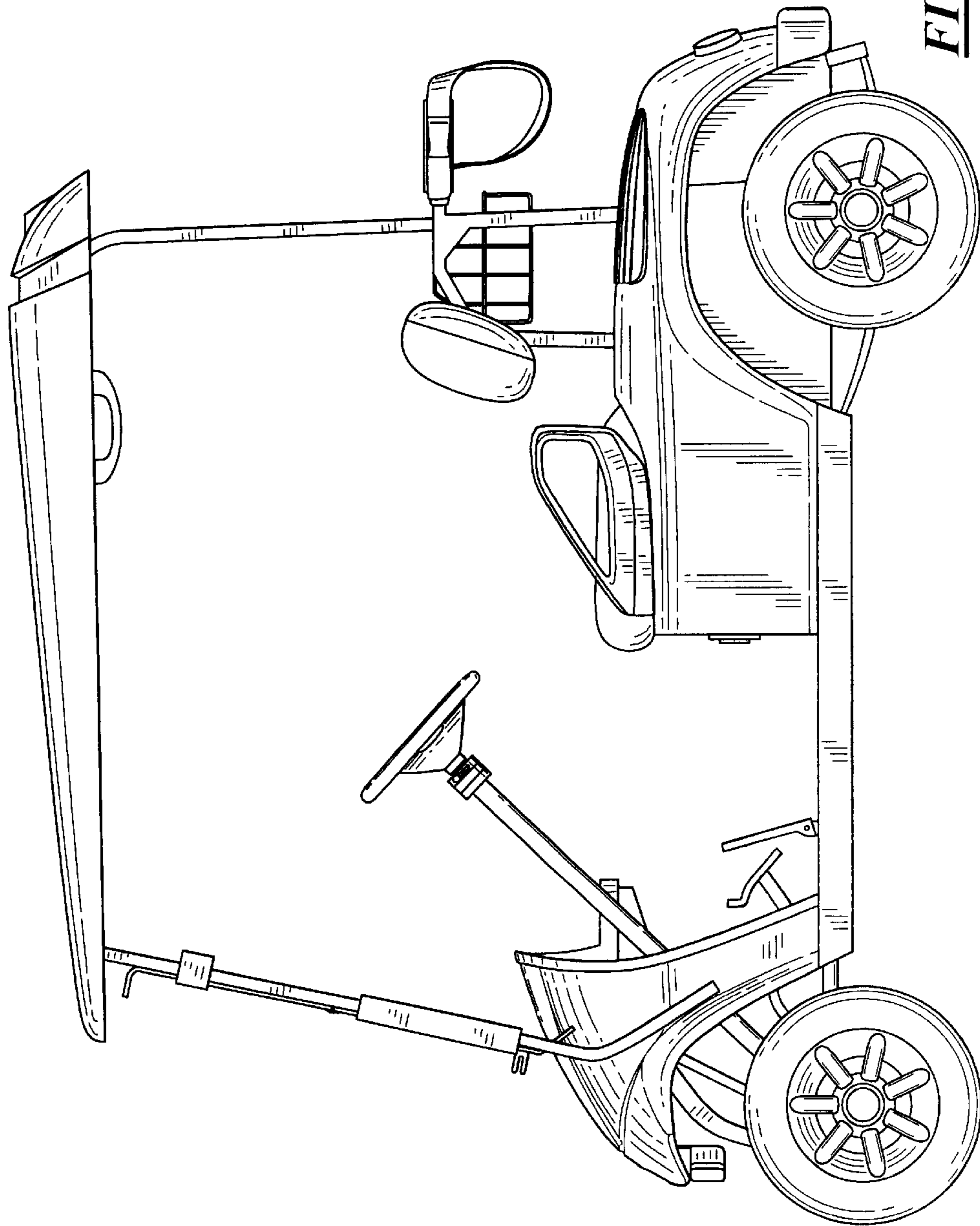
D236,098 S \* 7/1975 Bedel ..... D12/16  
D245,592 S \* 8/1977 Davidson ..... D12/16  
D326,831 S \* 6/1992 Lanius et al. .... D12/16

**1 Claim, 6 Drawing Sheets**

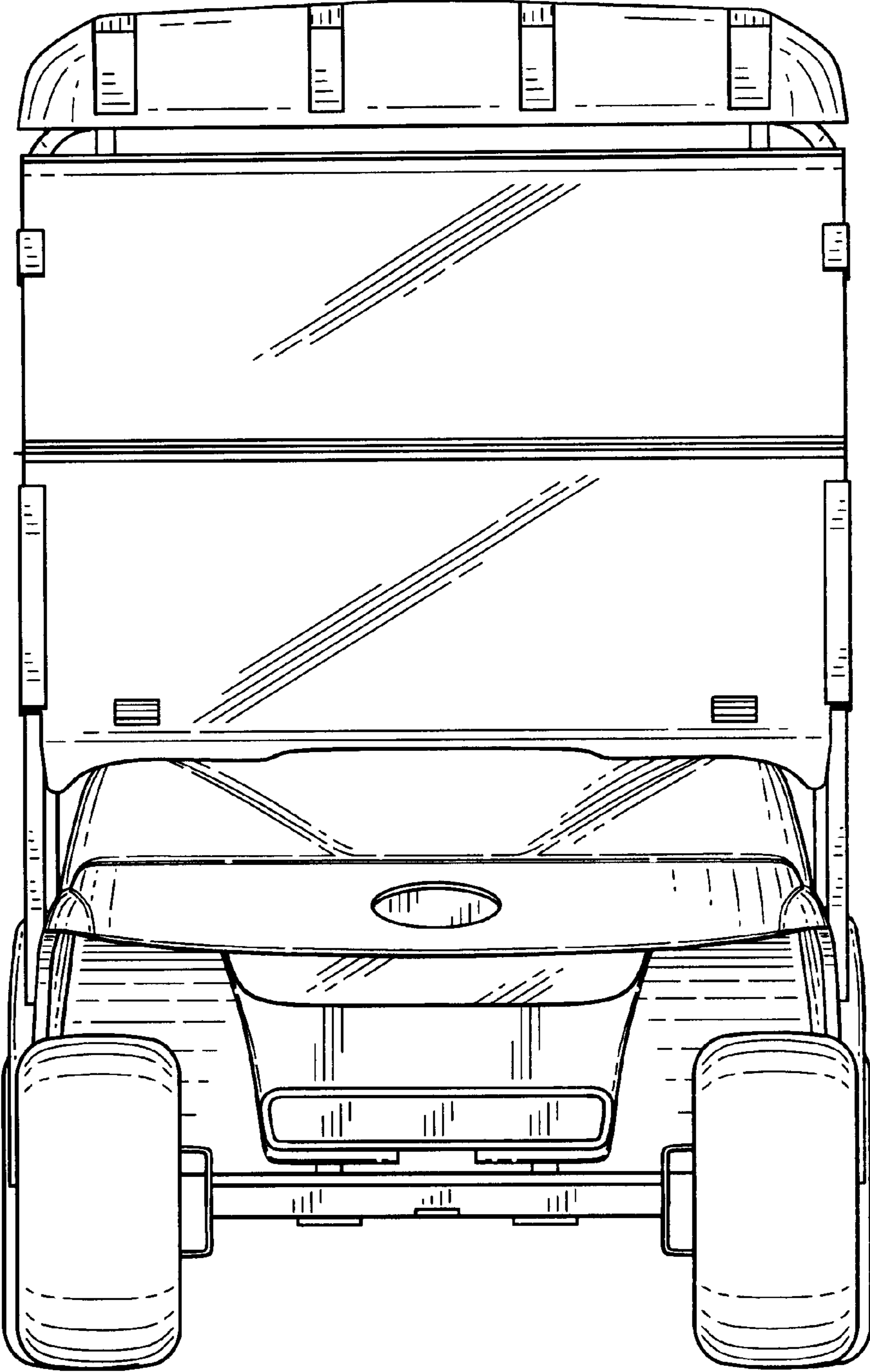




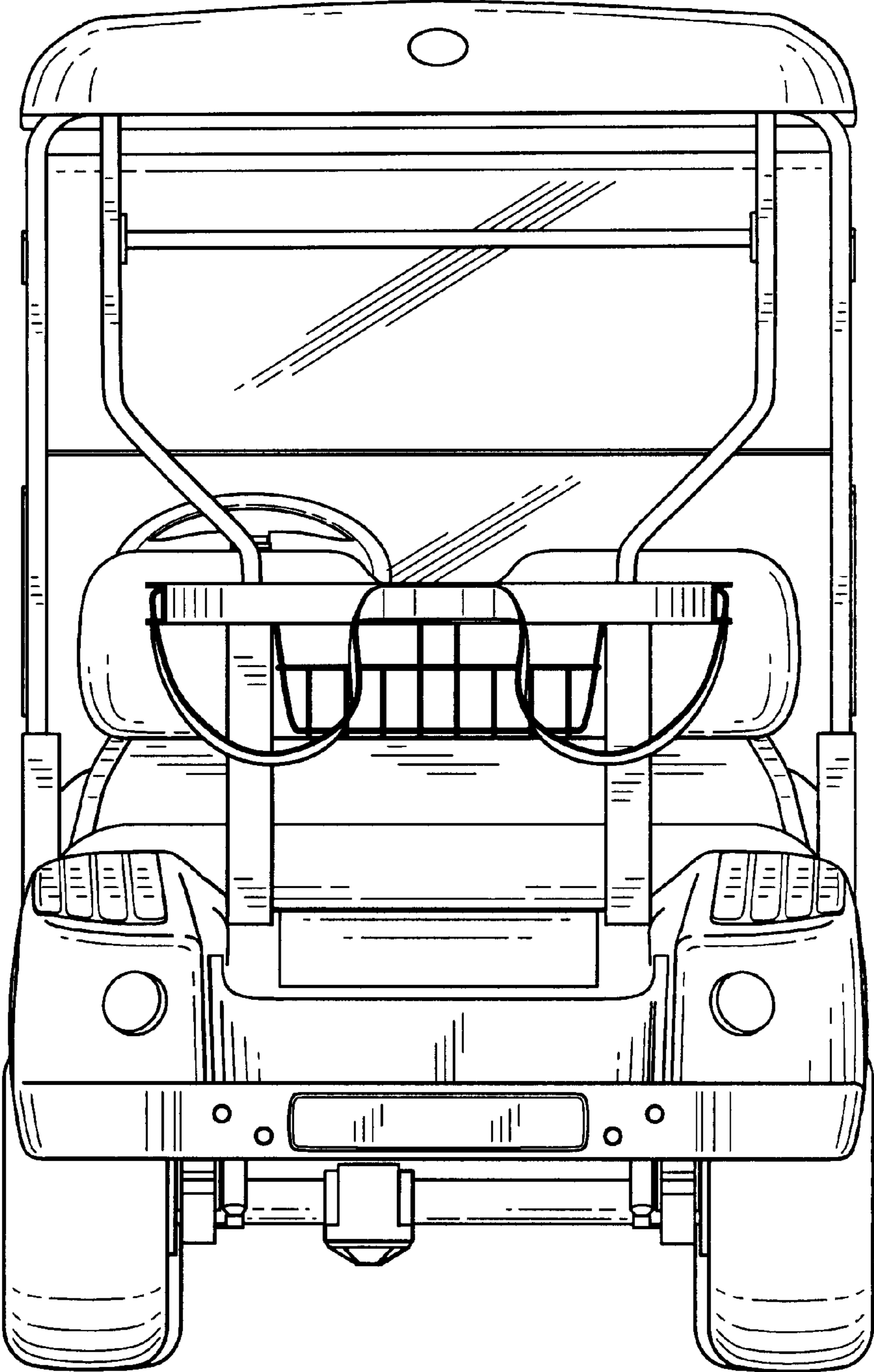
**FIG. 1**



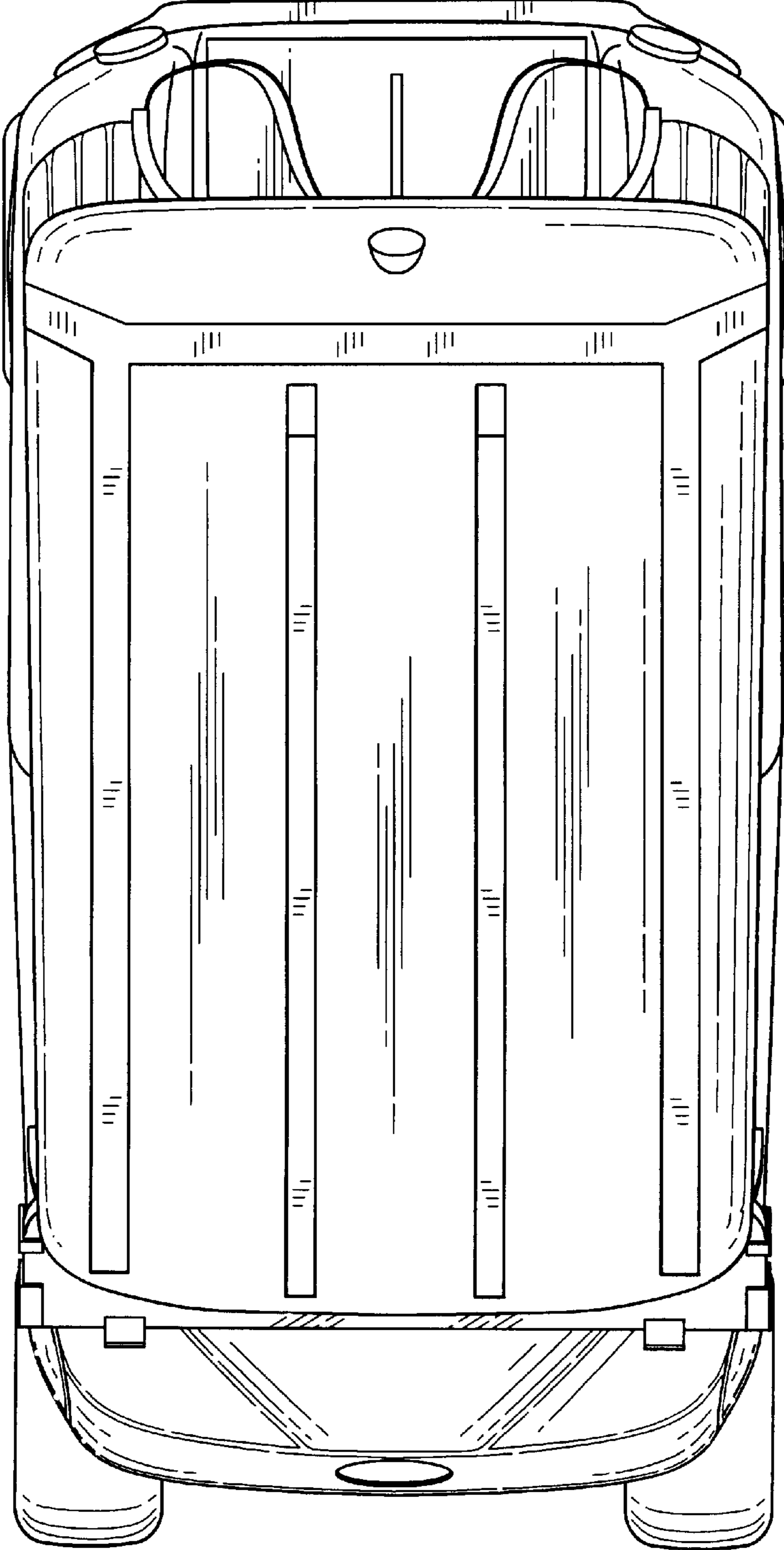
**FIG. 2**



**FIG. 3**



**FIG. 4**



***FIG. 5***

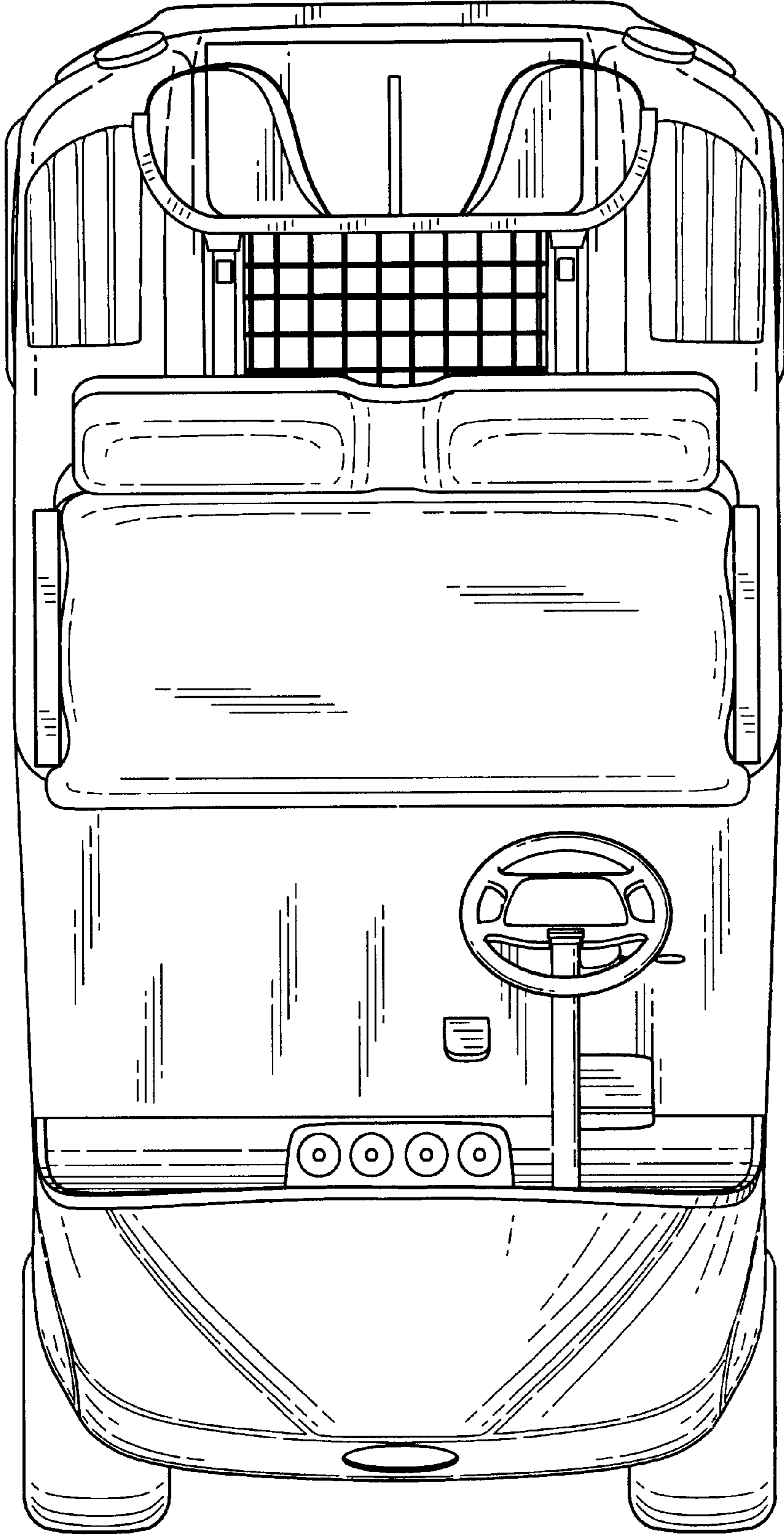


FIG. 6