



US00D514971S

(12) **United States Design Patent**
Burch et al.

(10) **Patent No.: US D514,971 S**
(45) **Date of Patent: ** Feb. 14, 2006**

(54) **THREE-DIMENSIONAL TRAIL MARKER**

(76) Inventors: **Linda K. Burch**, 1082 Tamberwood Ct., Woodbury, MN (US) 55125; **Kurt A. Baumgartner**, 1959 - 127th Ave. NW., Minneapolis, MN (US) 55448

(**) Term: **14 Years**

(21) Appl. No.: **29/176,193**

(22) Filed: **Feb. 19, 2003**

Related U.S. Application Data

(63) Continuation of application No. 29/136,875, filed on Feb. 9, 2001, now abandoned.

(51) **LOC (8) Cl. 10-05**

(52) **U.S. Cl. D10/109**

(58) **Field of Classification Search** D21/500, D21/498, 502, 503, 386, 504; D20/41; D19/65, D19/90; D10/116, 109, 111; 446/211, 207, 446/109, 115; 273/146, 157 R; 404/9; 116/209, 116/33; 434/211

See application file for complete search history.

(56) **References Cited**

U.S. PATENT DOCUMENTS

- 1,743,834 A * 1/1930 Stimson 359/529
- 1,814,495 A * 7/1931 Sheldon 405/34
- 2,483,734 A * 10/1949 Neal 116/63 R
- 2,908,125 A * 10/1959 Jarund 53/142
- D206,635 S * 1/1967 Walter D10/109
- 3,565,442 A * 2/1971 Klein 273/157 R
- 4,317,654 A * 3/1982 Wahl 434/211

- 4,345,761 A * 8/1982 China 273/146
- D273,095 S * 3/1984 Schulze D10/109
- 4,461,480 A * 7/1984 Mitchell 273/153 S
- 4,848,263 A * 7/1989 Grimm 116/63 C
- 5,171,624 A * 12/1992 Walter 428/156
- 5,249,966 A * 10/1993 Hügli 434/211
- 5,702,742 A * 12/1997 Jones 426/115
- 6,152,797 A * 11/2000 David 446/115
- D467,436 S * 12/2002 Fink D6/300
- 6,921,314 B2 * 7/2005 Miller 446/85
- 2005/0014112 A1 * 1/2005 Fentress 434/211

OTHER PUBLICATIONS

Firetack Trail Markers http://www.firetacks.com/webcart10/single_page.php?ln=en&main_id=34 Aug. 2, 2005.*
Wild Tech Ads and photos <http://www.datalinkaccounting.com/history.htm> Aug. 2, 2005.*

* cited by examiner

Primary Examiner—Cathron C. Brooks
Assistant Examiner—Austin Murphy
(74) *Attorney, Agent, or Firm*—Nikolai & Mersereau, P.A.

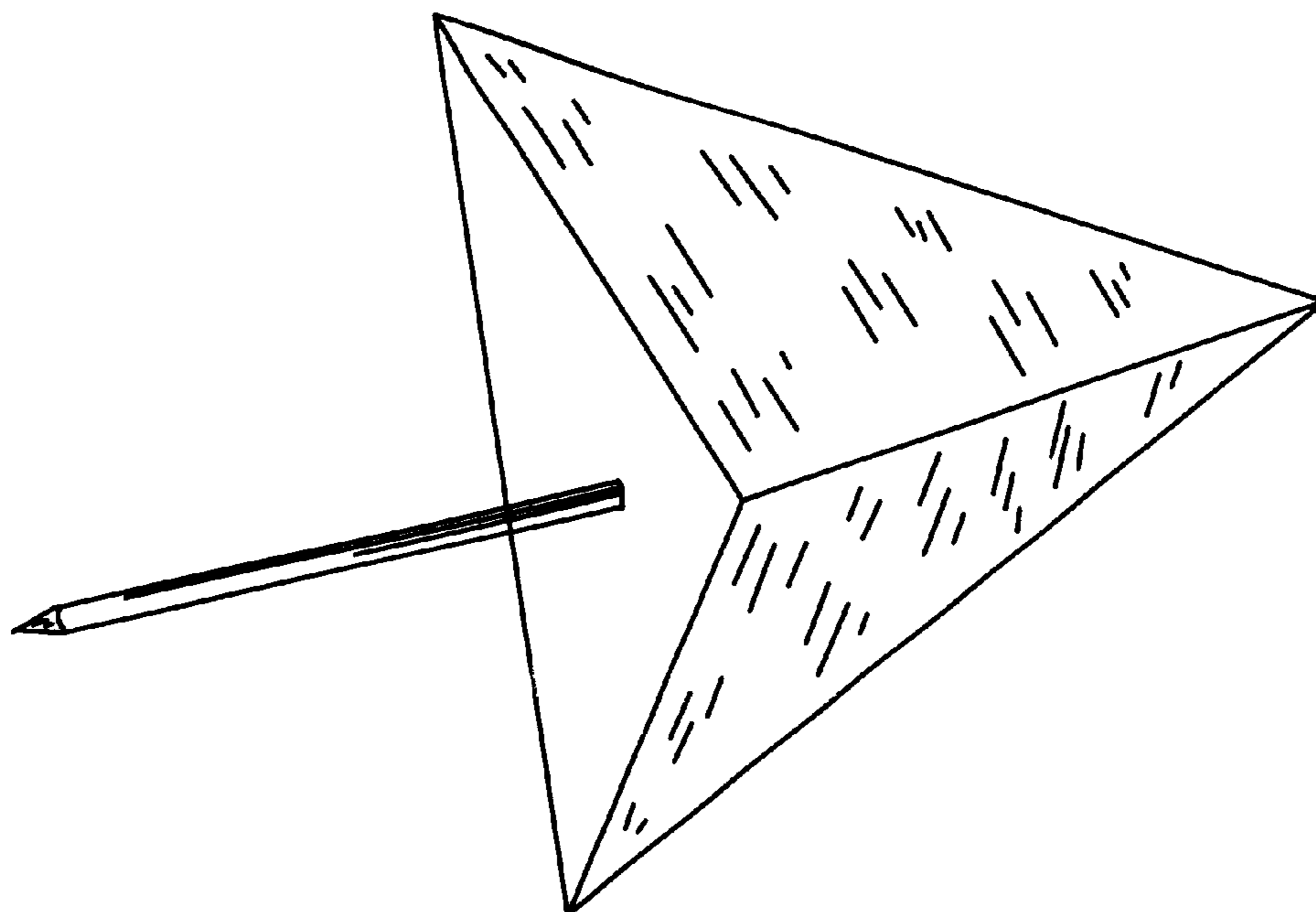
(57) **CLAIM**

The ornamental design for a three-dimensional trail marker, as shown and described.

DESCRIPTION

FIG. 1 is a bottom perspective view of the three-dimensional trail marker; and, FIG. 2 is an additional perspective view thereof, taken substantially from the side opposite FIG. 1.

1 Claim, 1 Drawing Sheet



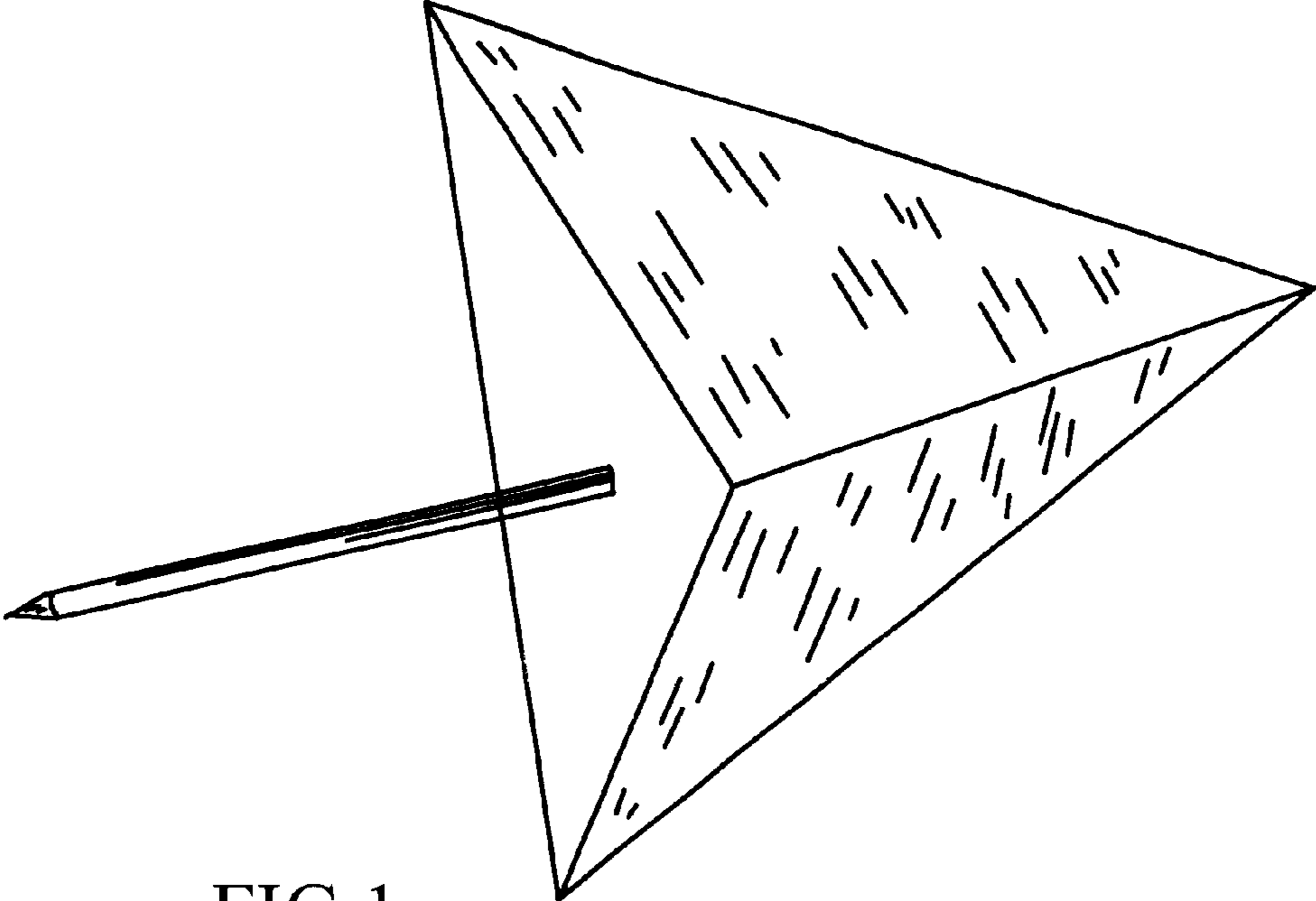


FIG 1

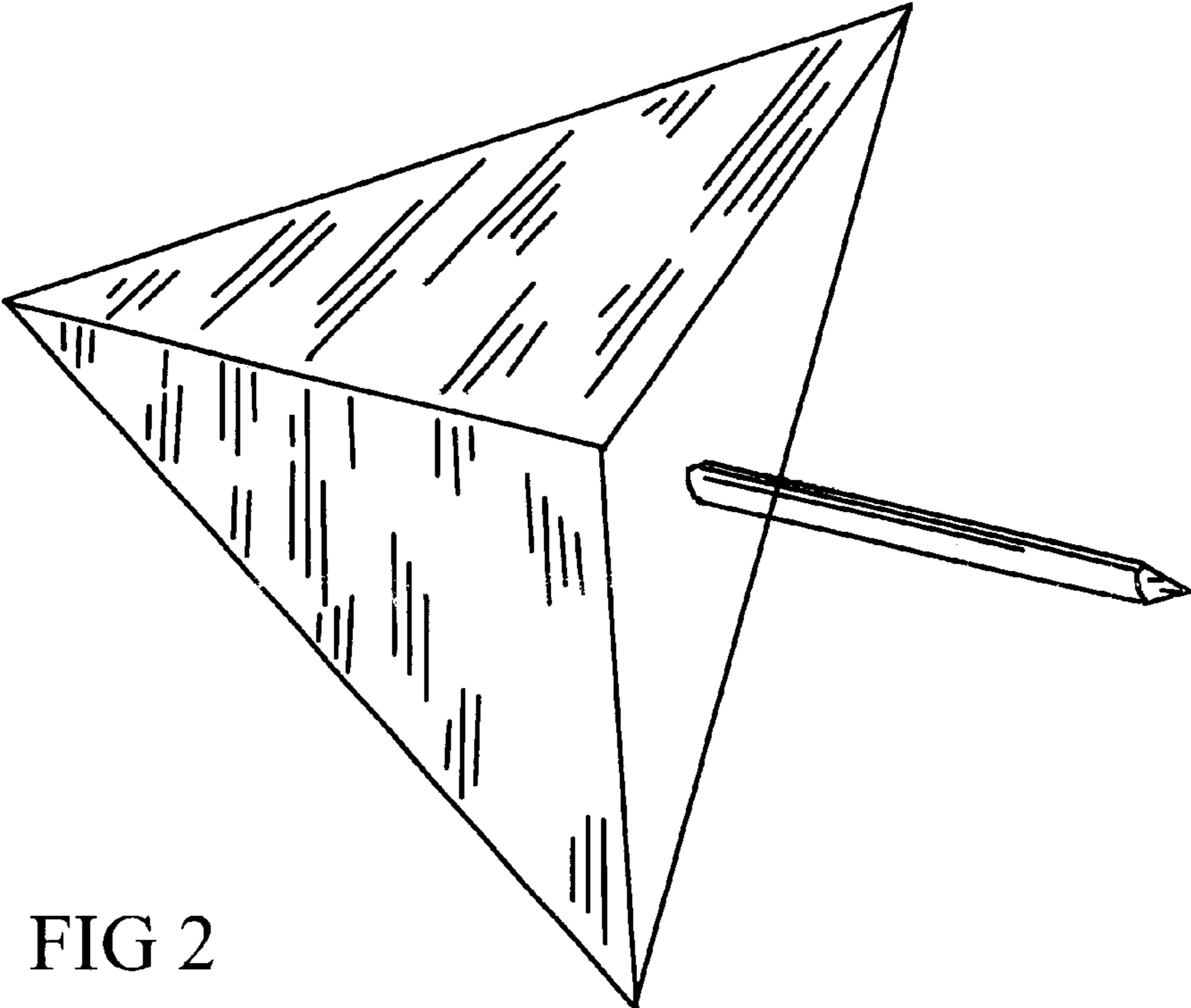


FIG 2