

US00D514970S

(12) **United States Design Patent**  
**Minarovic**

(10) **Patent No.:** **US D514,970 S**  
(45) **Date of Patent:** **\*\* Feb. 14, 2006**

(54) **UTILITY STRUCTURE GUARD**

(76) **Inventor:** **Joe T. Minarovic**, 201 Logan Ranch Rd., Georgetown, TX (US) 78628

(\*\*) **Term:** **14 Years**

(21) **Appl. No.:** **29/144,001**

(22) **Filed:** **Jun. 22, 2001**

(51) **LOC (8) Cl.** ..... **10-05**

(52) **U.S. Cl.** ..... **D10/106**

(58) **Field of Classification Search** ..... D10/104,  
D10/106, 116, 121; 340/540, 541, 545, 565,  
340/566, 571, 572, 573

See application file for complete search history.

(56) **References Cited**

**U.S. PATENT DOCUMENTS**

D439,537 S \* 3/2001 Ternovits ..... D10/106

\* cited by examiner

*Primary Examiner*—Marcus A. Jackson

(74) *Attorney, Agent, or Firm*—Jack V. Musgrove

(57) **CLAIM**

The ornamental design for a utility structure guard, as shown and described.

**DESCRIPTION**

This application claims priority to U.S. patent application Ser. No. 09/417,060, filed on Oct. 13, 1999.

FIG. 1 is a prospective view of the utility structure guard of the present invention;

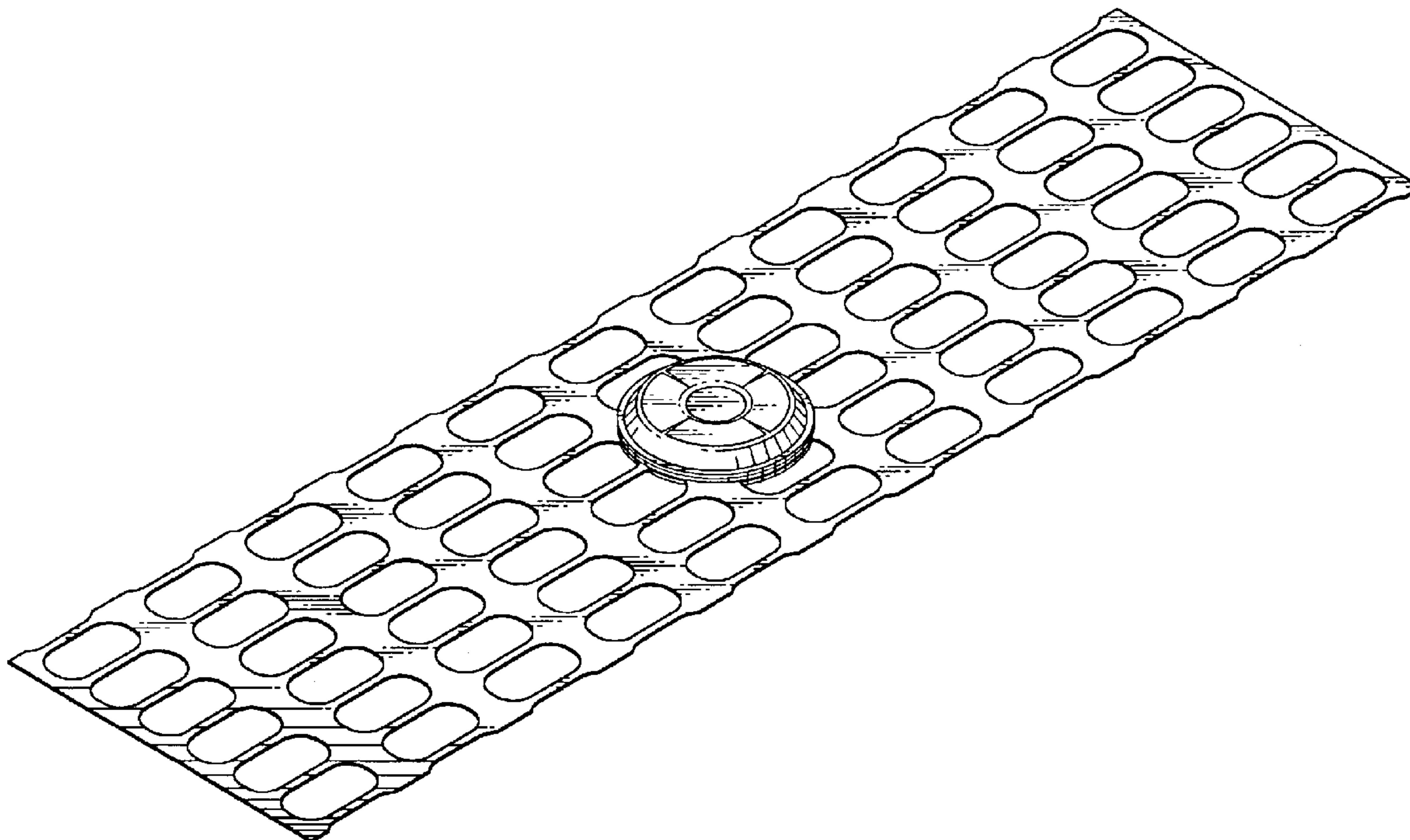
FIG. 2 is a top plan view of the utility structure guard of the present invention;

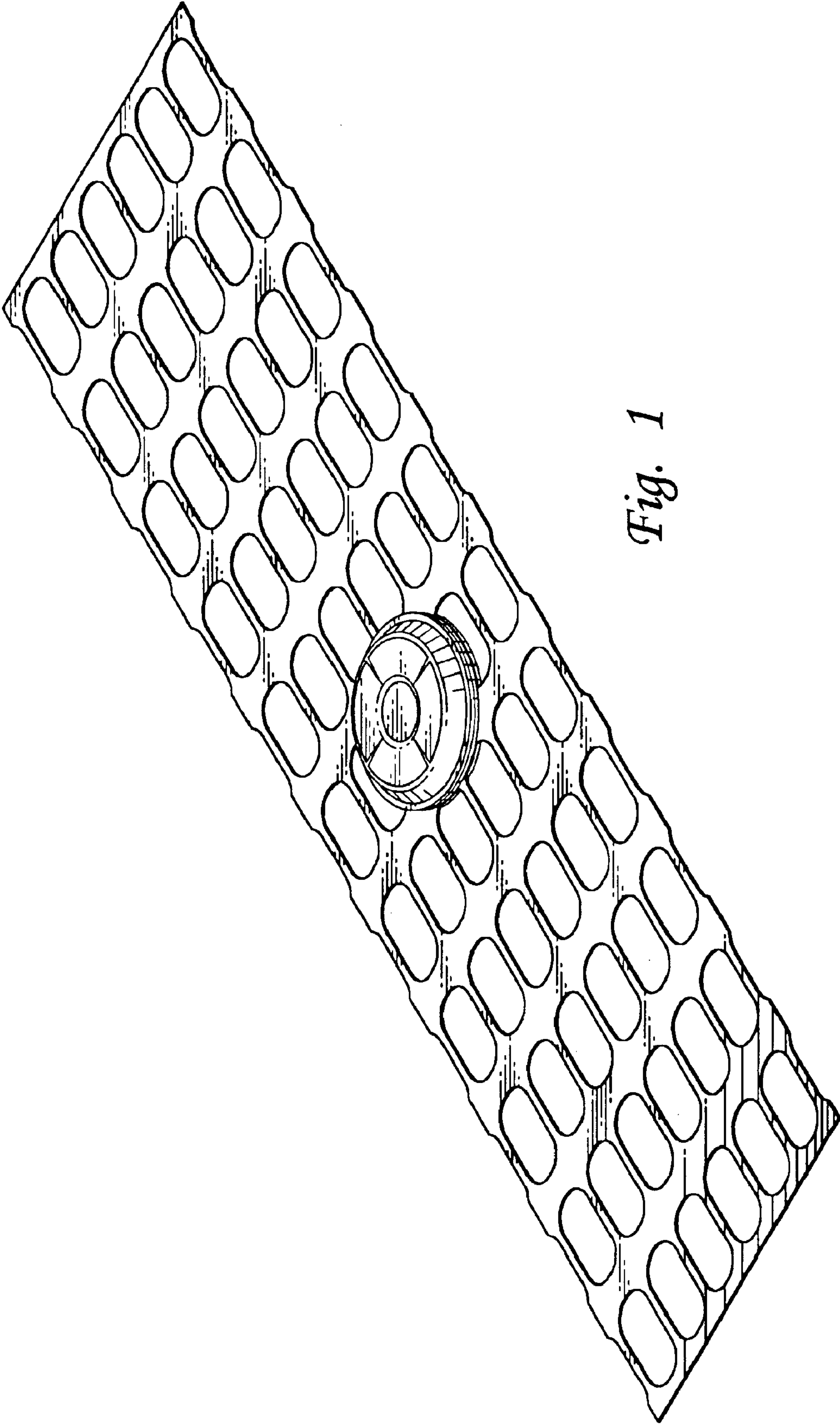
FIG. 3 is a front and back elevational view of the structure guard of the present invention;

FIG. 4 is a left and right side elevational view of the structure guard of the present invention; and,

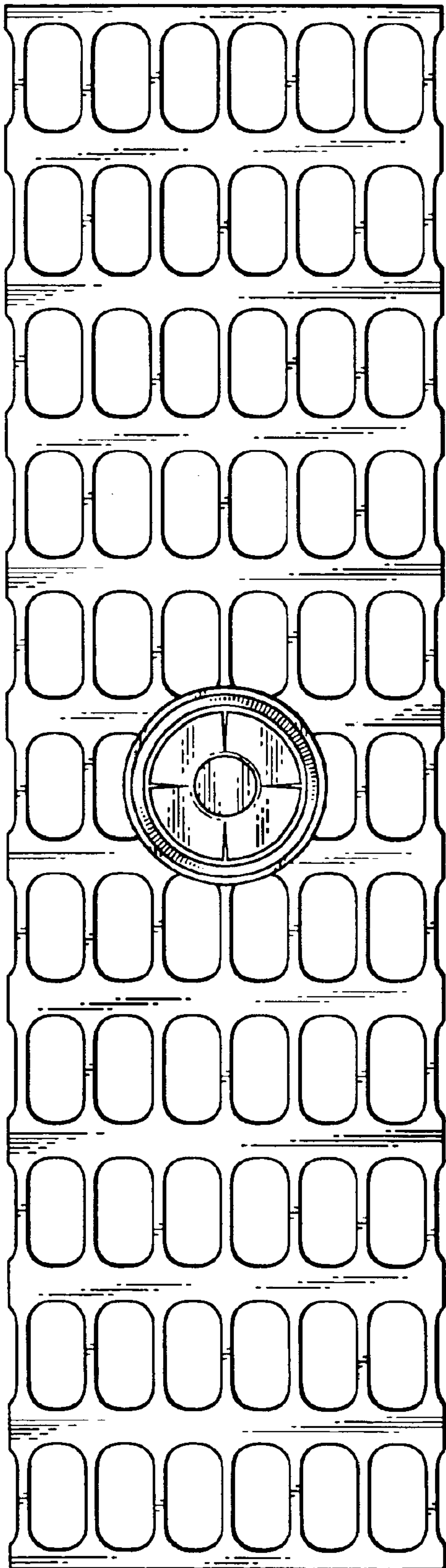
FIG. 5 is a bottom plan view of the structure guard of the present invention.

**1 Claim, 3 Drawing Sheets**





*Fig. 1*



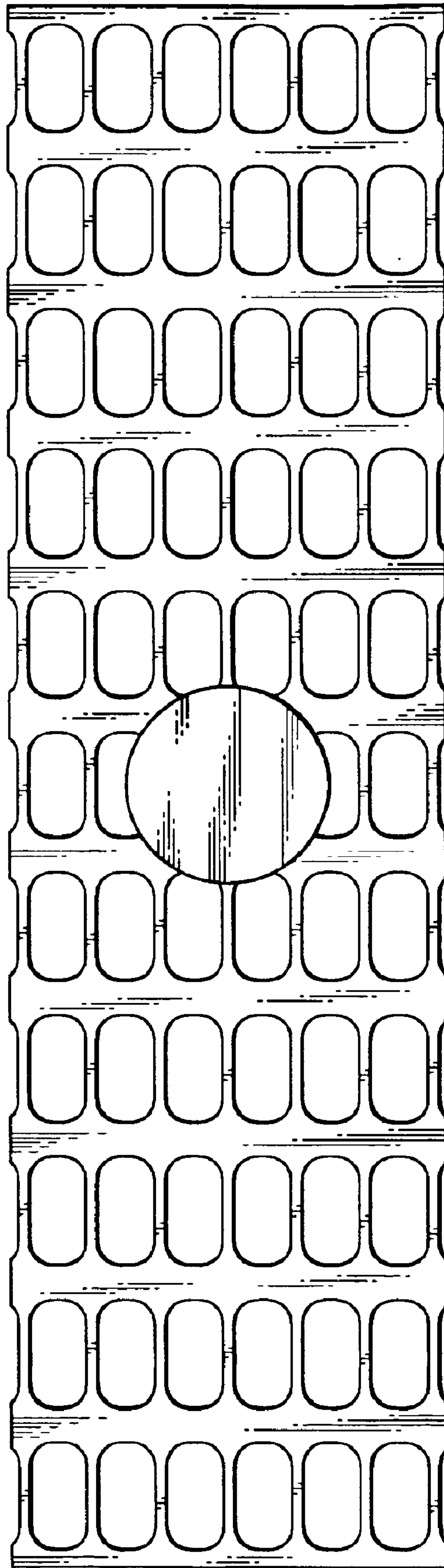
*Fig. 2*



*Fig. 3*



*Fig. 4*



*Fig. 5*