



US00D514969S

(12) **United States Design Patent**
Hoelzel et al.

(10) **Patent No.:** **US D514,969 S**

(45) **Date of Patent:** **** Feb. 14, 2006**

(54) **SURFACE CONFIGURATION OF AN INSTRUMENT DISPLAY PANEL FOR A VEHICLE**

D307,127 S * 4/1990 Simons et al. D12/192
6,568,345 B1 * 5/2003 Paulo 296/70
D506,425 S * 6/2005 Kraus et al. D12/192

(75) Inventors: **Guenter Hoelzel**, Hochdorf (DE); **Peter Pfeiffer**, Boeblingen (DE); **Stephen Mattin**, Sindelfingen (DE); **Verena Kloos**, Como (IT); **Michele Jauch-Paganetti**, Bellinzona (CH)

* cited by examiner

Primary Examiner—Antoine D. Davis
(74) *Attorney, Agent, or Firm*—Crowell & Moring LLP

(73) Assignee: **DaimlerChrysler AG**, Stuttgart (DE)

(**) Term: **14 Years**

(21) Appl. No.: **29/203,001**

(22) Filed: **Apr. 8, 2004**

(30) **Foreign Application Priority Data**

Oct. 9, 2003 (DE) 4 03 06 495

(51) **LOC (8) Cl.** **10-04**

(52) **U.S. Cl.** **D10/103**

(58) **Field of Classification Search** 180/90;
280/750-752; 296/70; D10/103, 122-126
See application file for complete search history.

(56) **References Cited**

U.S. PATENT DOCUMENTS

D152,997 S * 3/1949 Mccauley D12/192

(57) **CLAIM**

The ornamental design for a surface configuration of an instrument display panel for a vehicle, as shown and described.

DESCRIPTION

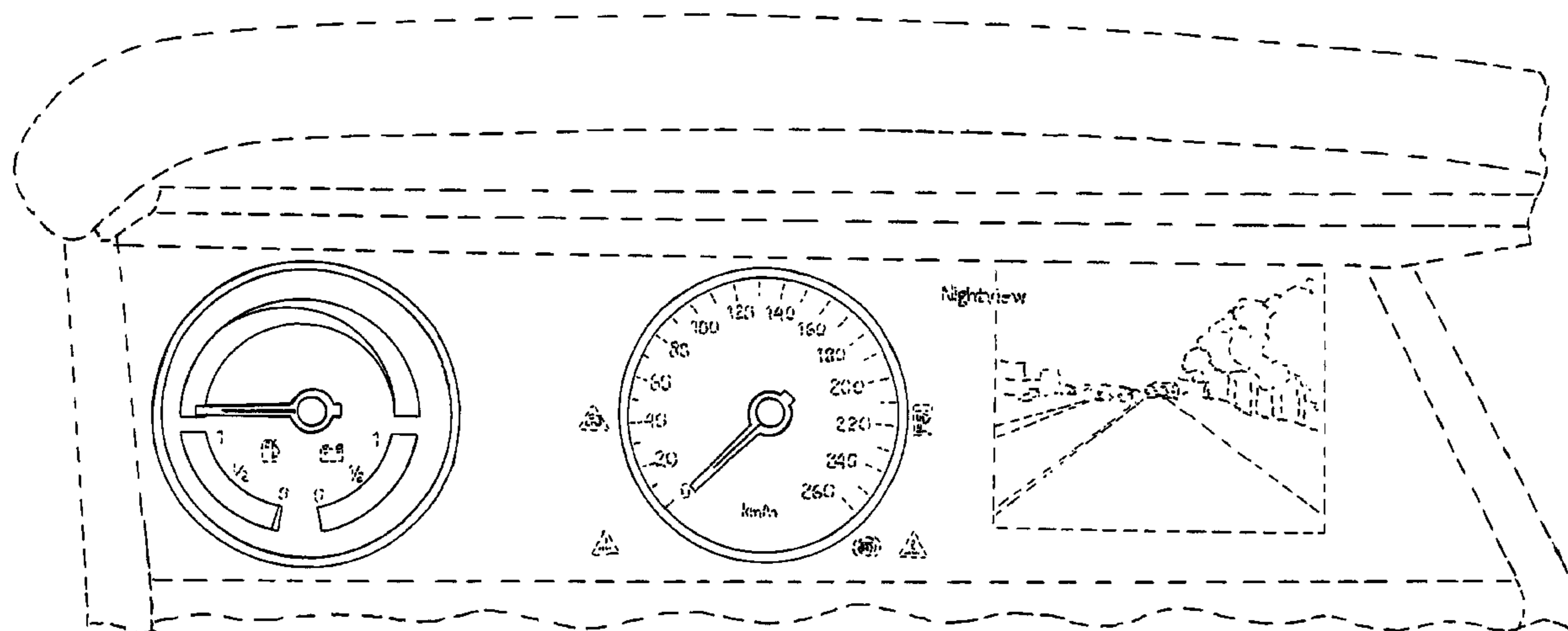
FIG. 1 is a front view of a first embodiment of a surface configuration of an instrument display panel for a vehicle according to our novel design;

FIG. 2 is a front view of a second embodiment of the surface configuration of an instrument display panel for a vehicle according to our novel design; and,

FIG. 3 is a front view of a third embodiment of the surface configuration of an instrument display panel for a vehicle according to our novel design.

The broken lines are for illustrative purposes only and form no part of the claimed design.

1 Claim, 3 Drawing Sheets



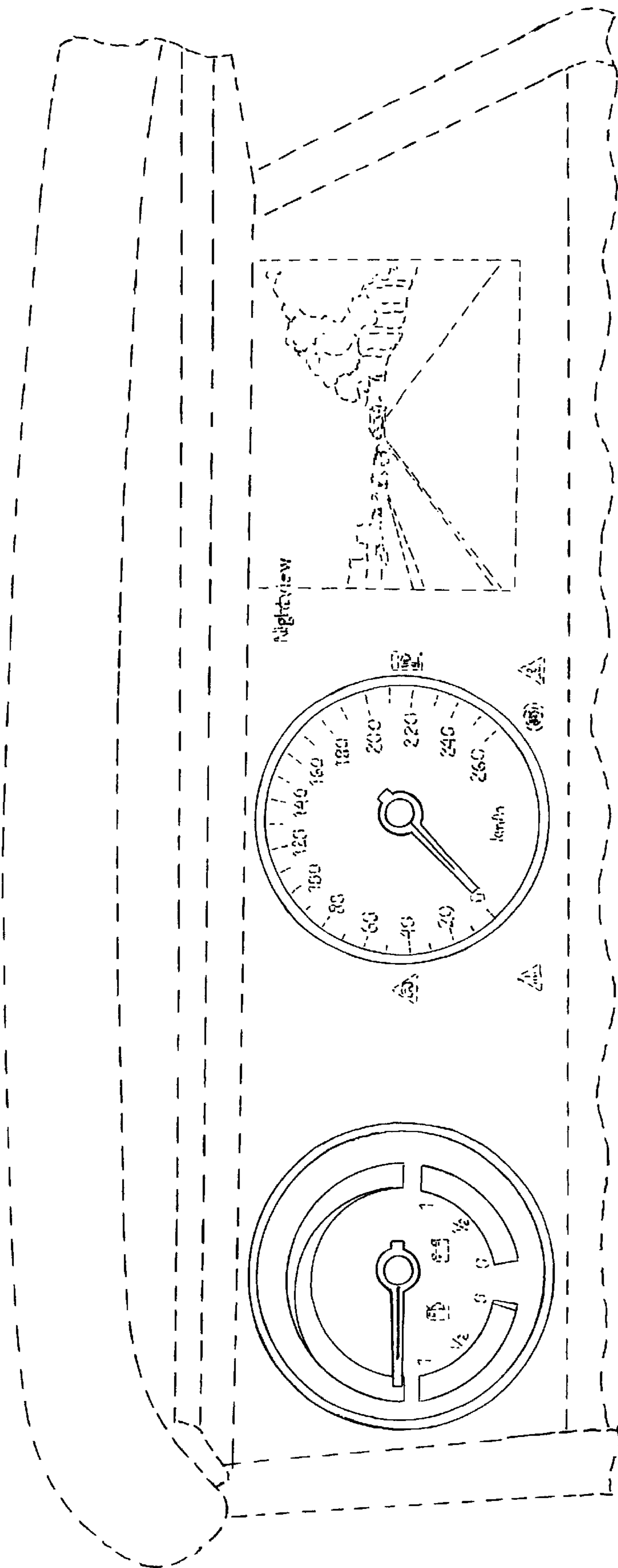


FIG. 1

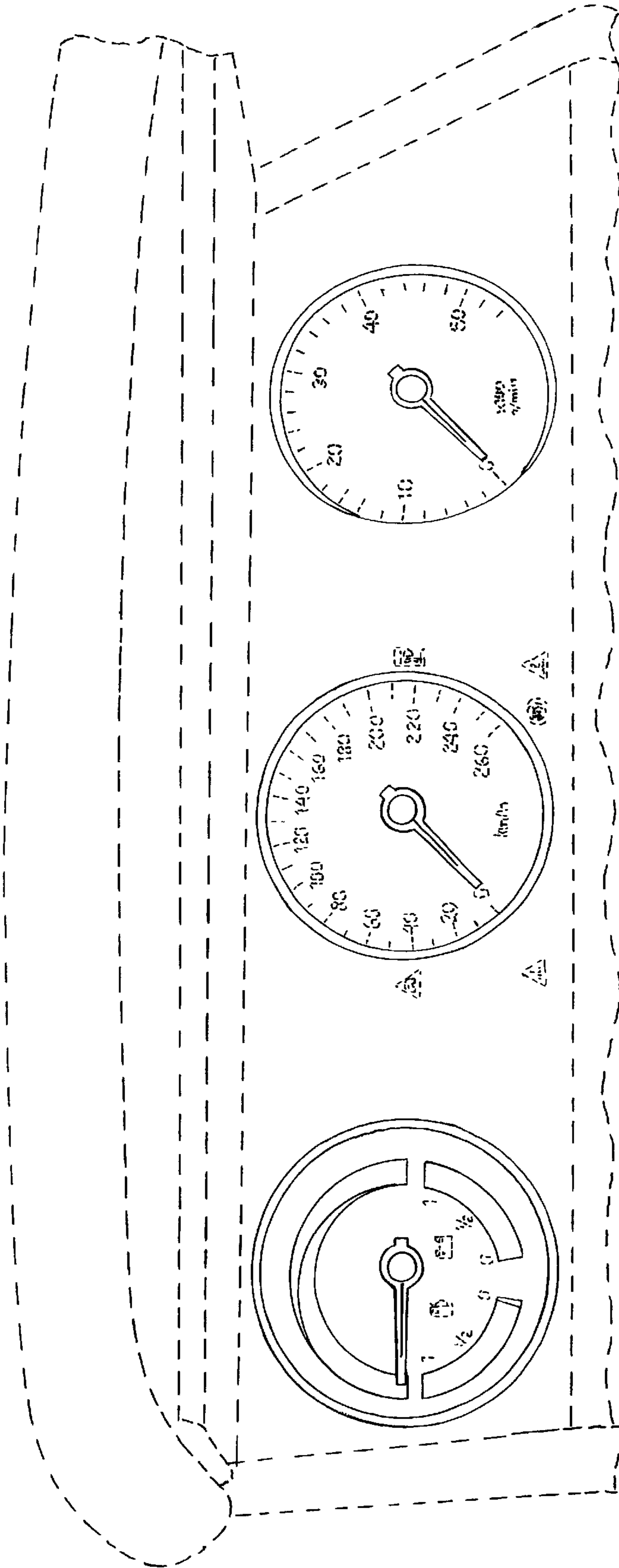


FIG. 2

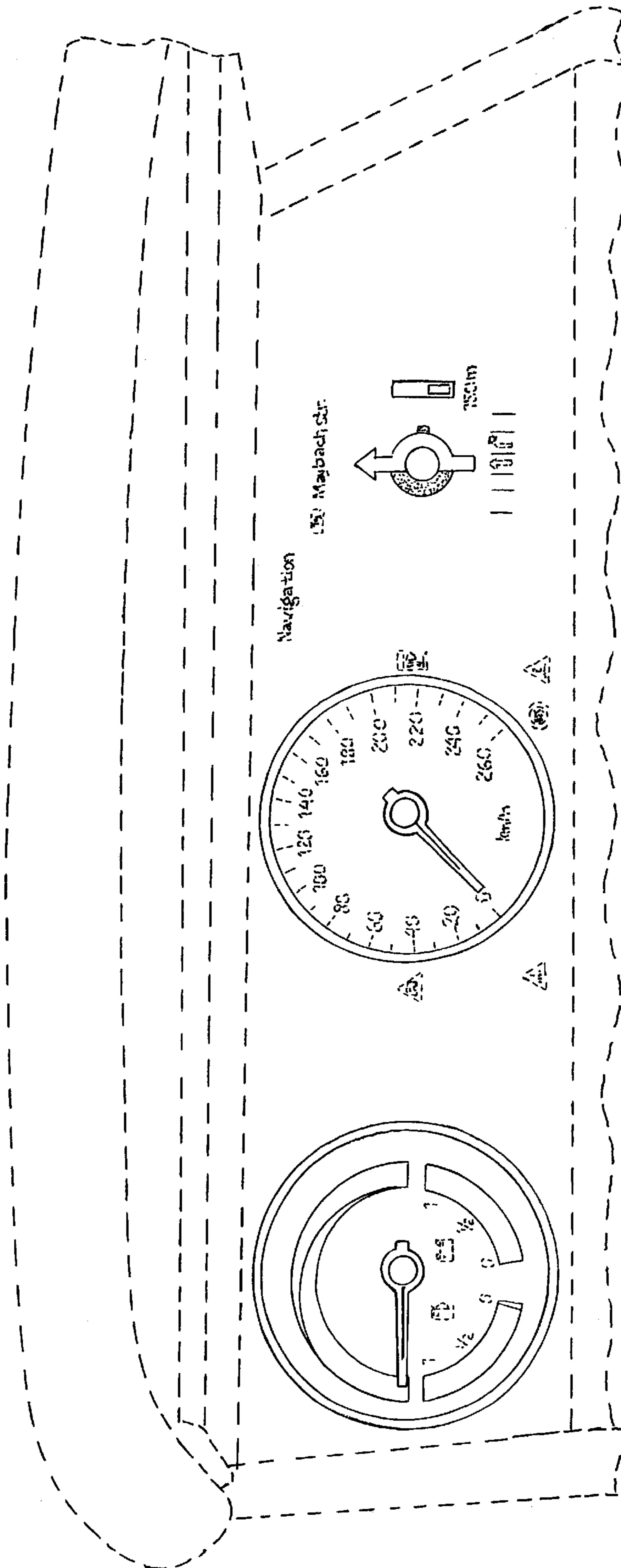


FIG. 3