



US00D514964S

(12) **United States Design Patent**
Chao

(10) **Patent No.:** **US D514,964 S**

(45) **Date of Patent:** **** Feb. 14, 2006**

(54) **RACING GAUGE**

6,825,770 B2 * 11/2004 Miller et al. 340/626

(76) Inventor: **Lance Chao**, 7F, No. 140-1, Jin Hua Street, Taipei (TW)

* cited by examiner

Primary Examiner—Antoine D. Davis

(74) *Attorney, Agent, or Firm*—Rosenberg, Klein & Lee

(**) Term: **14 Years**

(57) **CLAIM**

(21) Appl. No.: **29/205,118**

The ornamental design for a racing gauge, as shown and described.

(22) Filed: **May 11, 2004**

(51) **LOC (8) Cl.** **10-04**

(52) **U.S. Cl.** **D10/85**

(58) **Field of Classification Search** D10/83–85;
73/431, 866.5

See application file for complete search history.

DESCRIPTION

FIG. 1 is a perspective view of the racing gauge in accordance with the design;

FIG. 2 is a front elevation view thereof;

FIG. 3 is a rear elevation view thereof;

FIG. 4 is a left side elevation view thereof;

FIG. 5 is a right side elevation view thereof;

FIG. 6 is a top plan view thereof; and

FIG. 7 is a bottom plan view thereof; and,

FIG. 8 is a preferred application embodiment of the design.

(56) **References Cited**

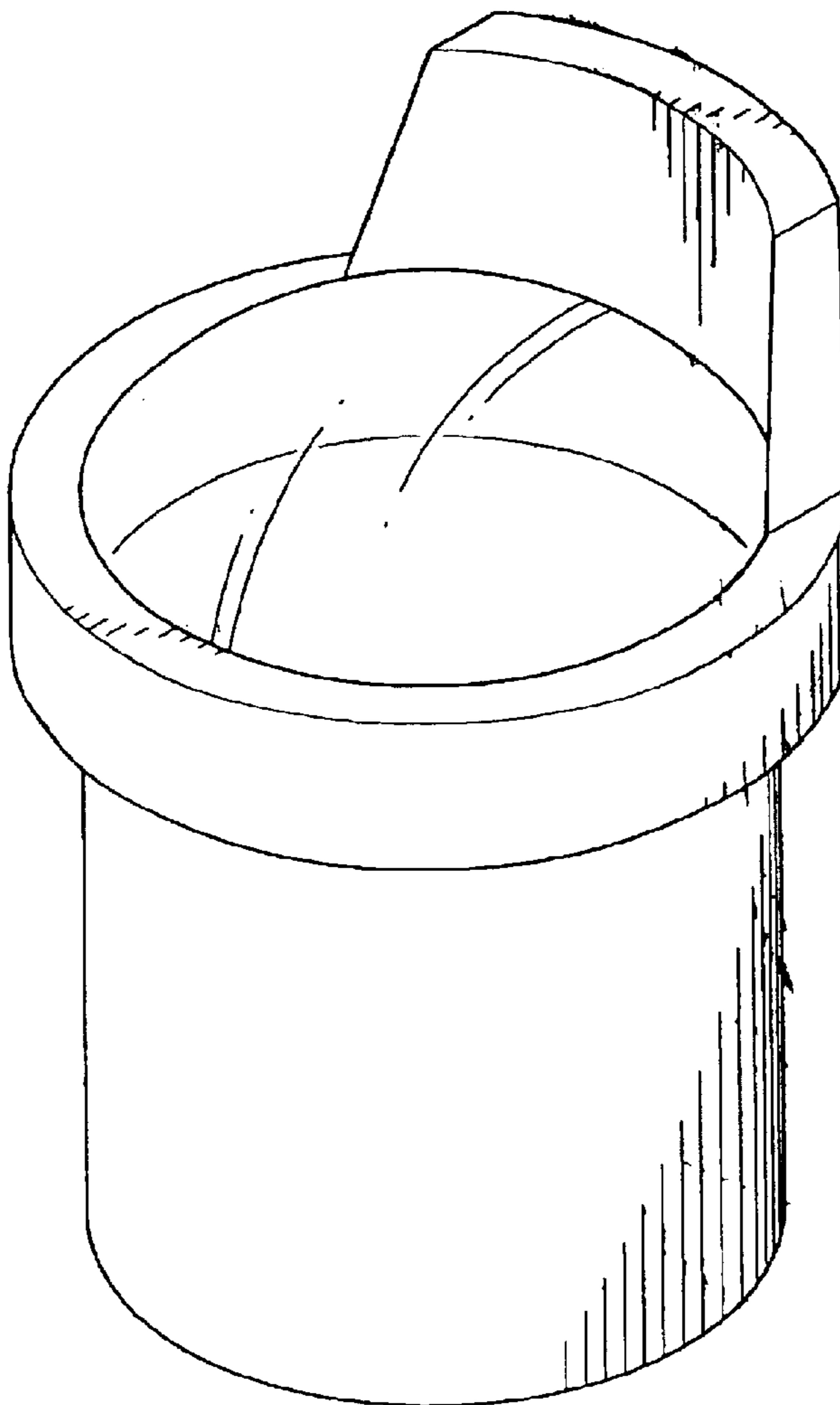
U.S. PATENT DOCUMENTS

D201,255 S * 6/1965 Czapar D10/102

6,244,107 B1 * 6/2001 Nelson et al. 73/431

6,672,178 B2 * 1/2004 Durnen 73/866.5

1 Claim, 5 Drawing Sheets



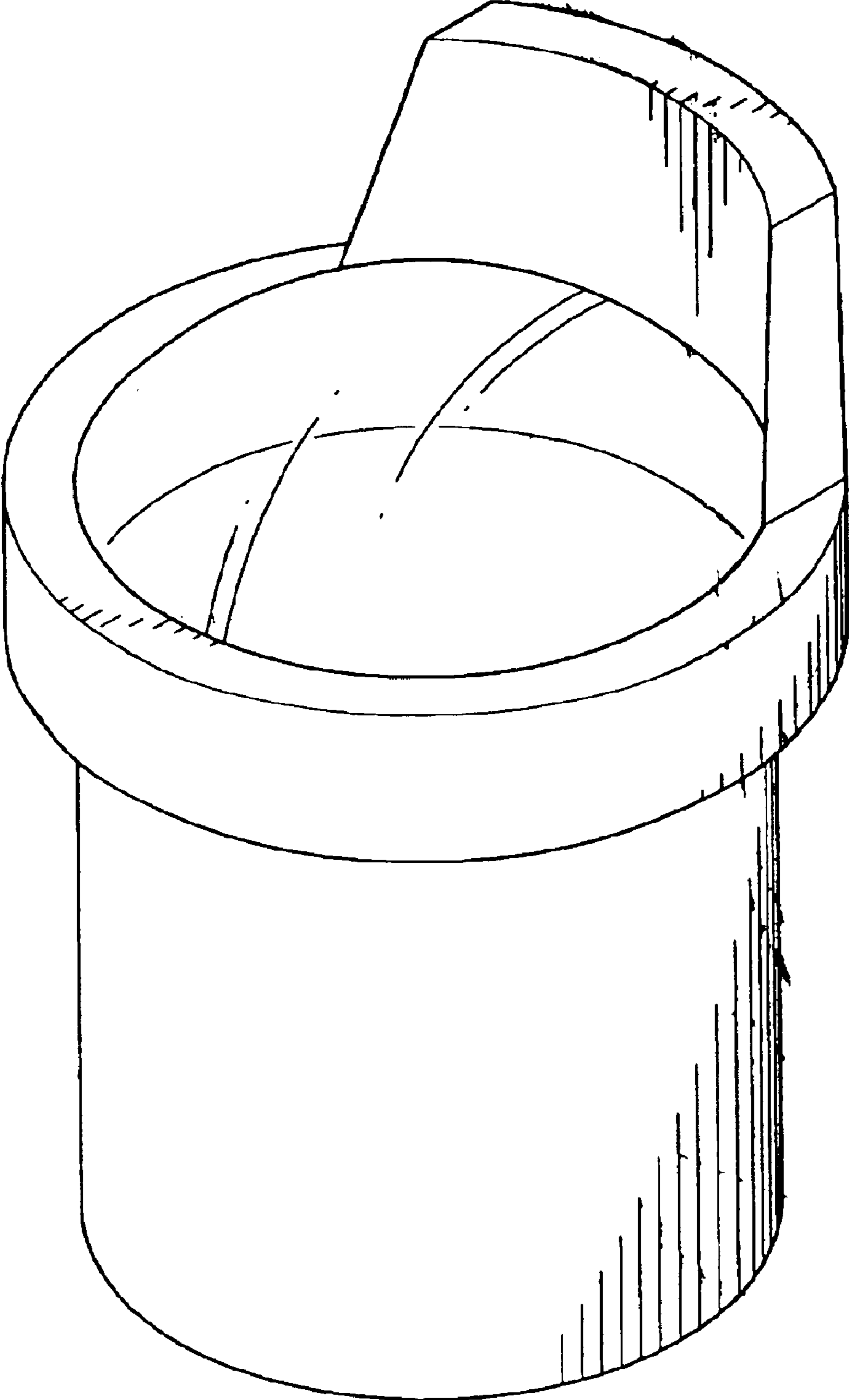


FIG. 1

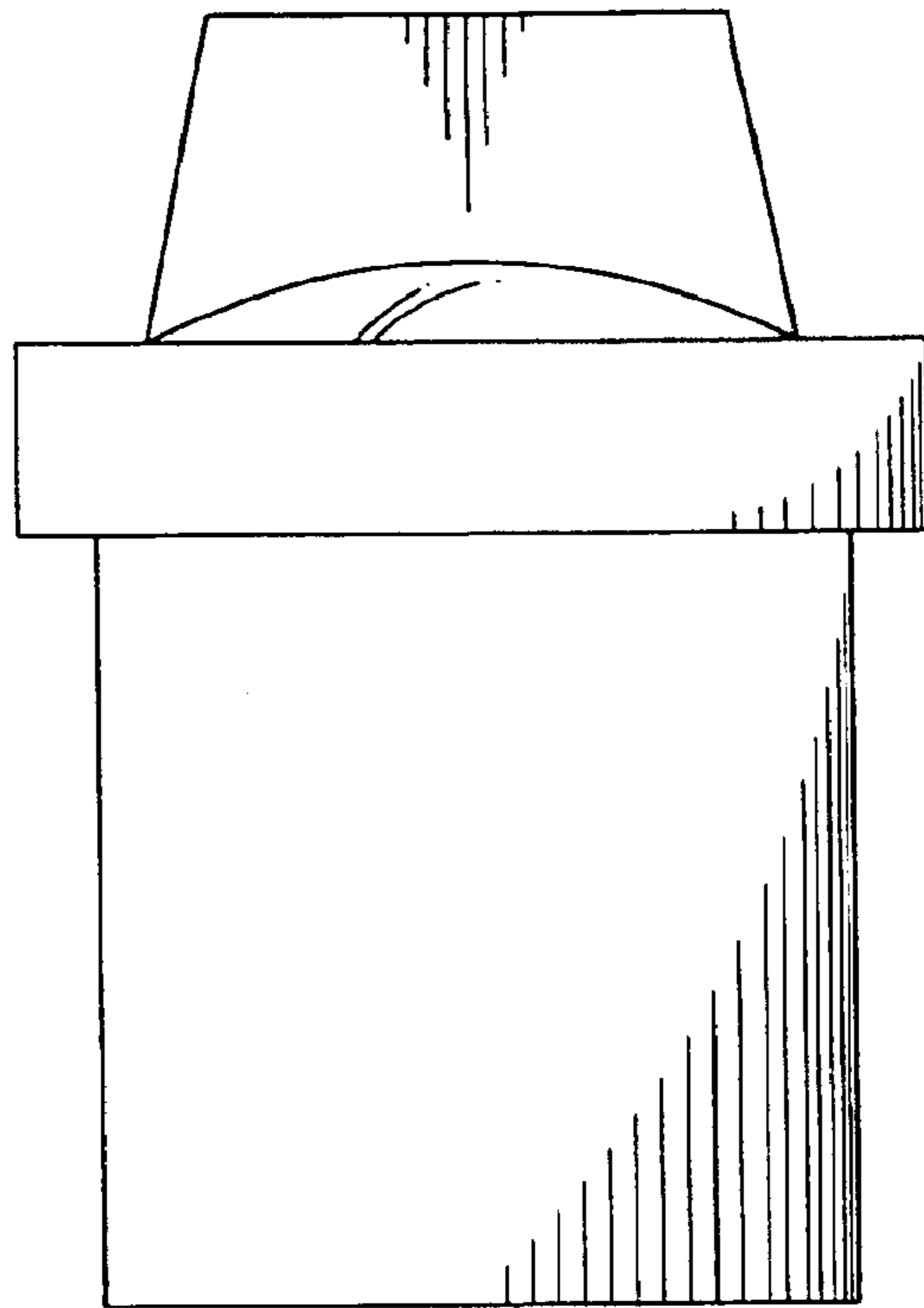


FIG. 2

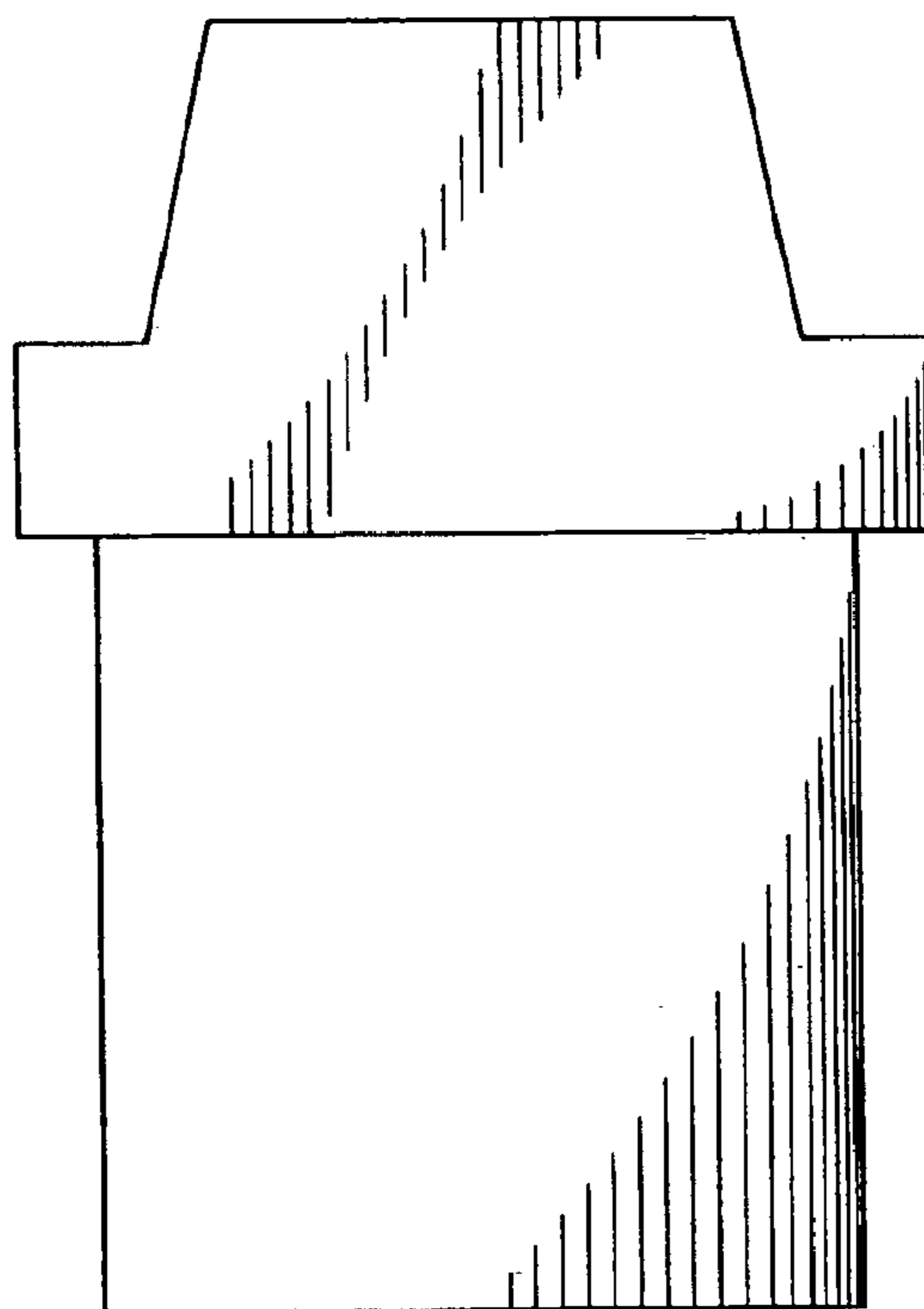


FIG. 3

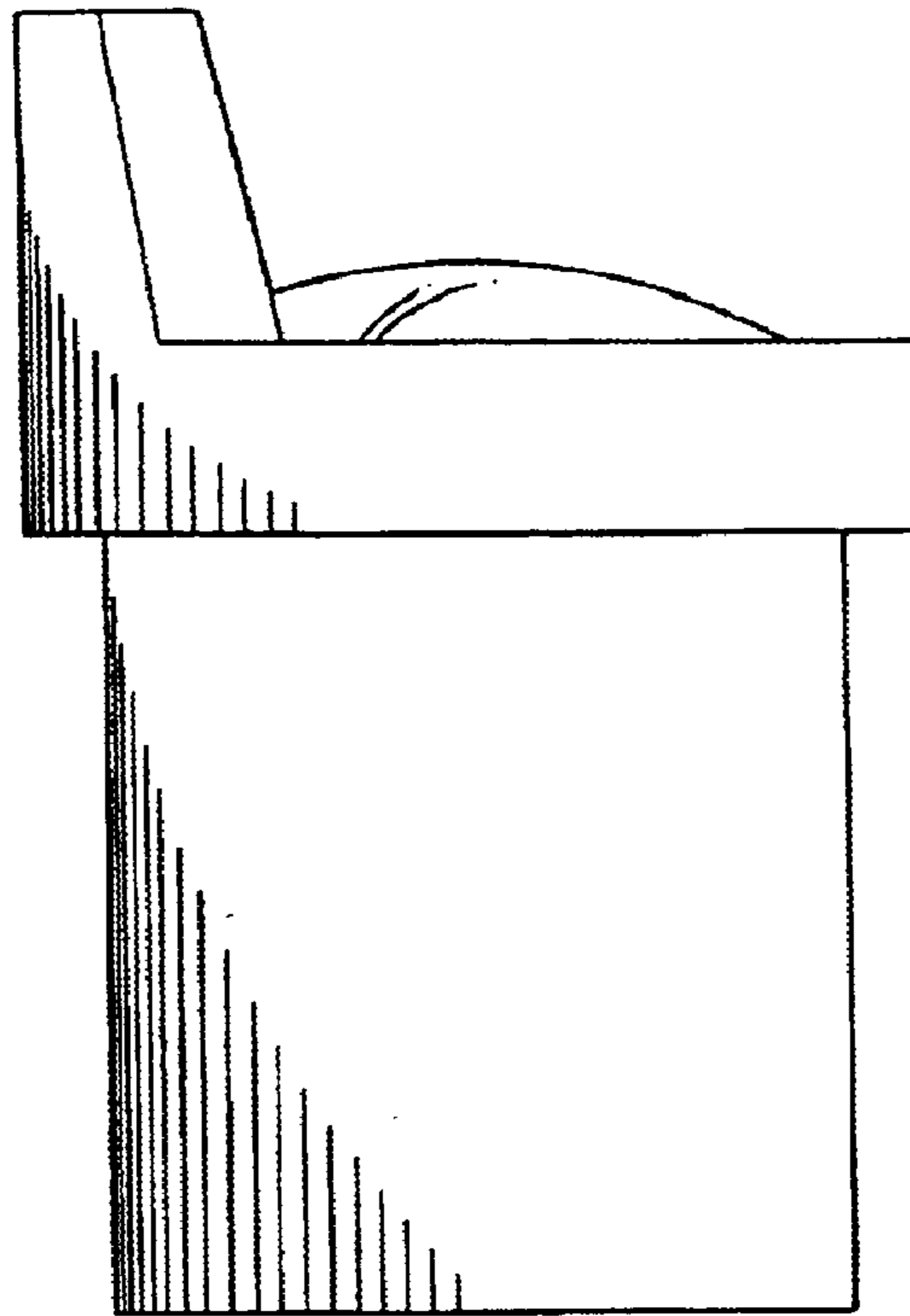


FIG. 4

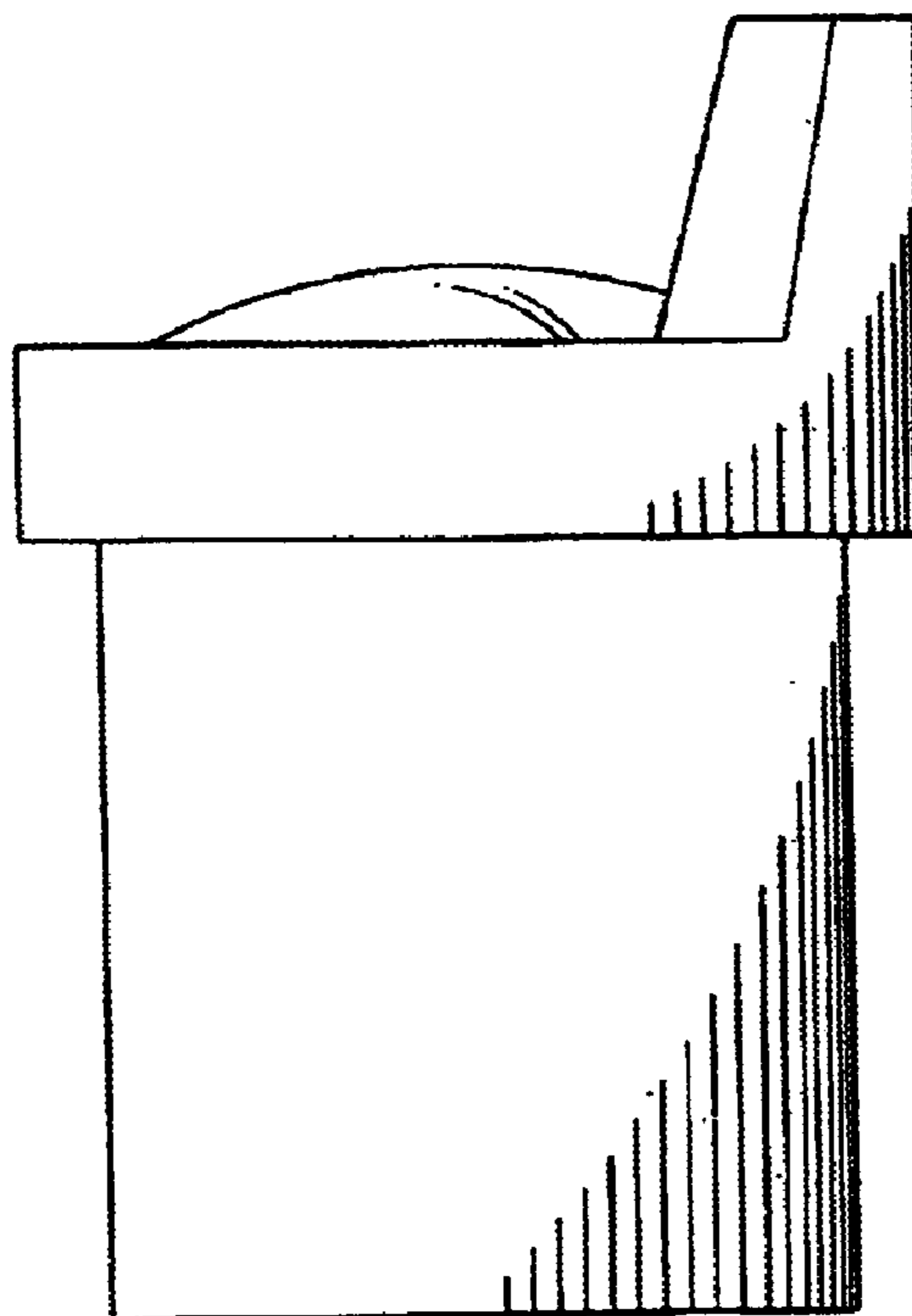


FIG. 5

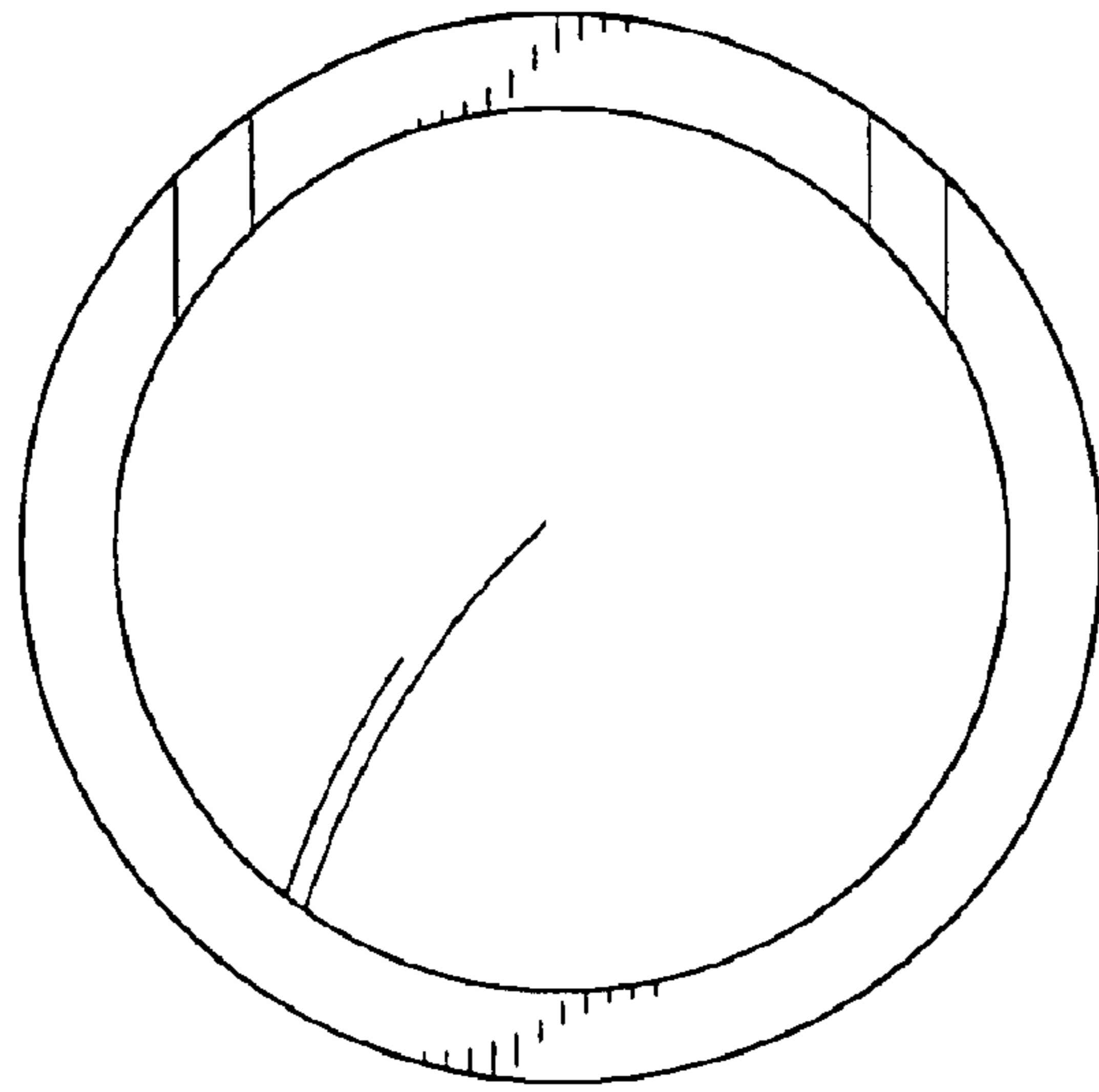


FIG. 6

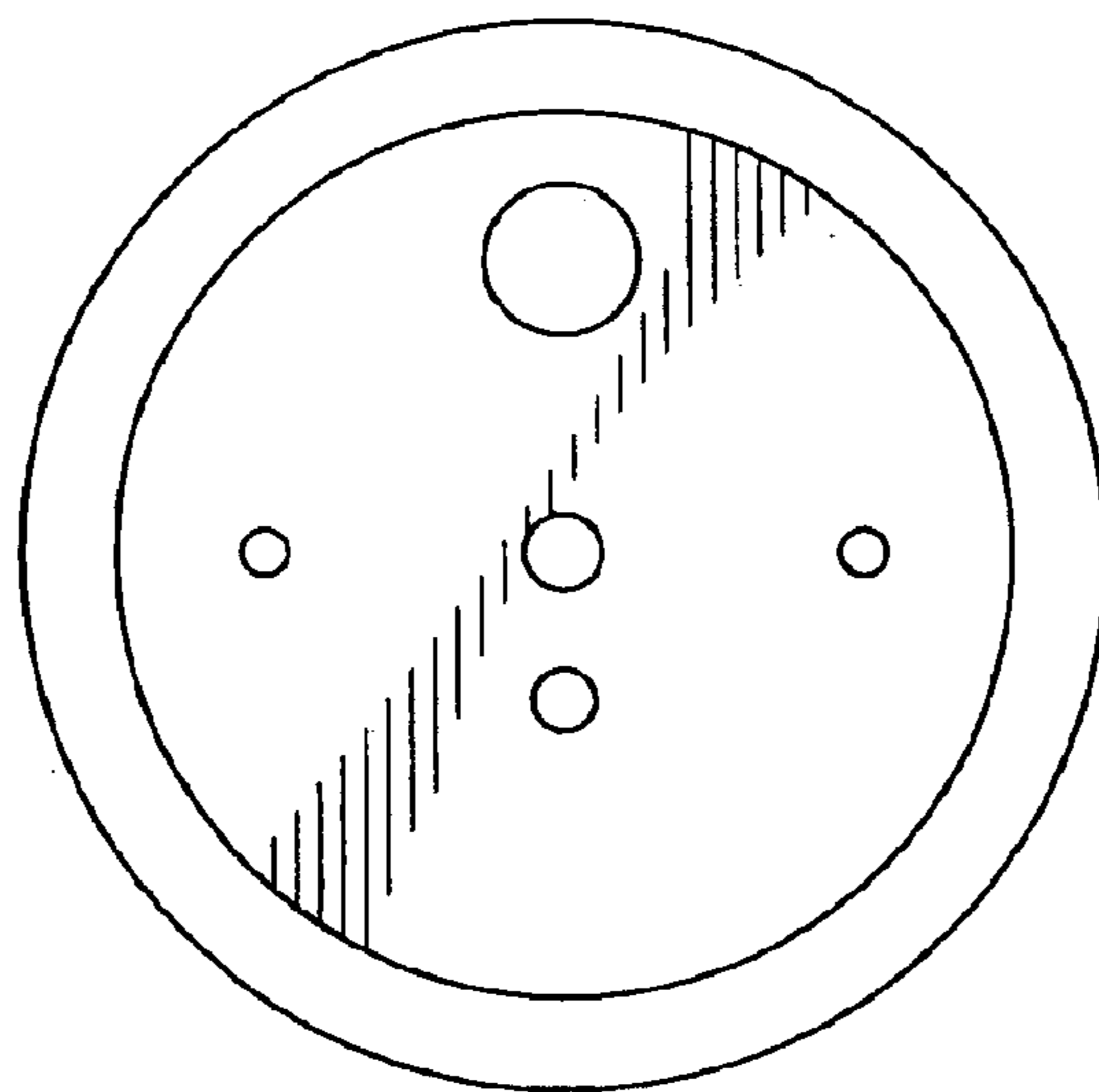


FIG. 7

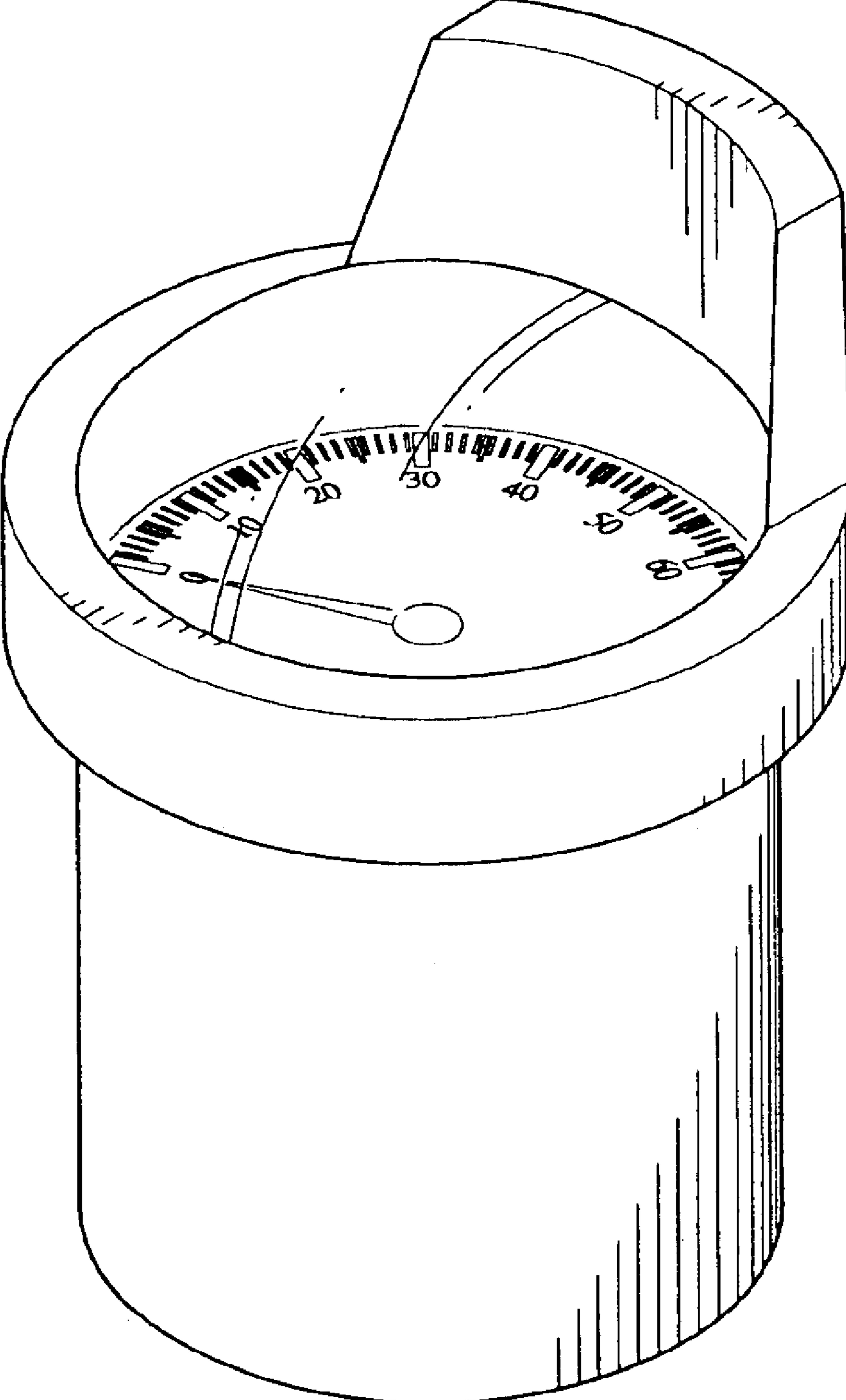


FIG.8