



US00D514962S

(12) **United States Design Patent**
Armendariz

(10) **Patent No.:** **US D514,962 S**
(45) **Date of Patent:** **** Feb. 14, 2006**

(54) **PIPEFITTER'S MAGNETIC TIP FOR A MEASURING TAPE**

(76) **Inventor:** **Chris Armendariz**, 330 Wall Ave., Las Cruces, NM (US) 88001

(**) **Term:** **14 Years**

(21) **Appl. No.:** **29/209,752**

(22) **Filed:** **Jul. 21, 2004**

(51) **LOC (8) Cl.** **10-04**

(52) **U.S. Cl.** **D10/74**

(58) **Field of Classification Search** D10/74;
33/755-770

See application file for complete search history.

(56) **References Cited**

U.S. PATENT DOCUMENTS

3,131,480	A	5/1964	Quenot	
4,300,289	A	11/1981	DeHaven	
4,527,334	A	* 7/1985	Jones et al.	33/761
4,827,622	A	5/1989	Makar	
4,930,227	A	6/1990	Ketchpel	
D320,168	S	* 9/1991	Archer	D10/74
6,073,983	A	6/2000	Schroeder	
6,101,734	A	* 8/2000	Ten Caat et al.	33/770
6,115,931	A	9/2000	Arcand	
6,212,787	B1	4/2001	Dixon	
6,226,886	B1	5/2001	Lamond et al.	

6,370,790	B1	4/2002	Stenger
6,442,863	B1	9/2002	Poineau et al.
6,470,589	B2	10/2002	Simmons
6,598,311	B2	7/2003	Noon
6,637,126	B2	10/2003	Balota

FOREIGN PATENT DOCUMENTS

WO WO01/35048 5/2001

* cited by examiner

Primary Examiner—Antoine D Davis

(74) *Attorney, Agent, or Firm*—Rod D. Baker; Peacock Myers, P.C.

(57) **CLAIM**

The ornamental design for a pipefitter's magnetic tip for a measuring tape, as shown and described.

DESCRIPTION

FIG. 1 is a right side perspective view of the pipefitter's magnetic tip for a measuring tape embodying my new design;

FIG. 2 is a front elevational view thereof;

FIG. 3 is a rear elevational view thereof;

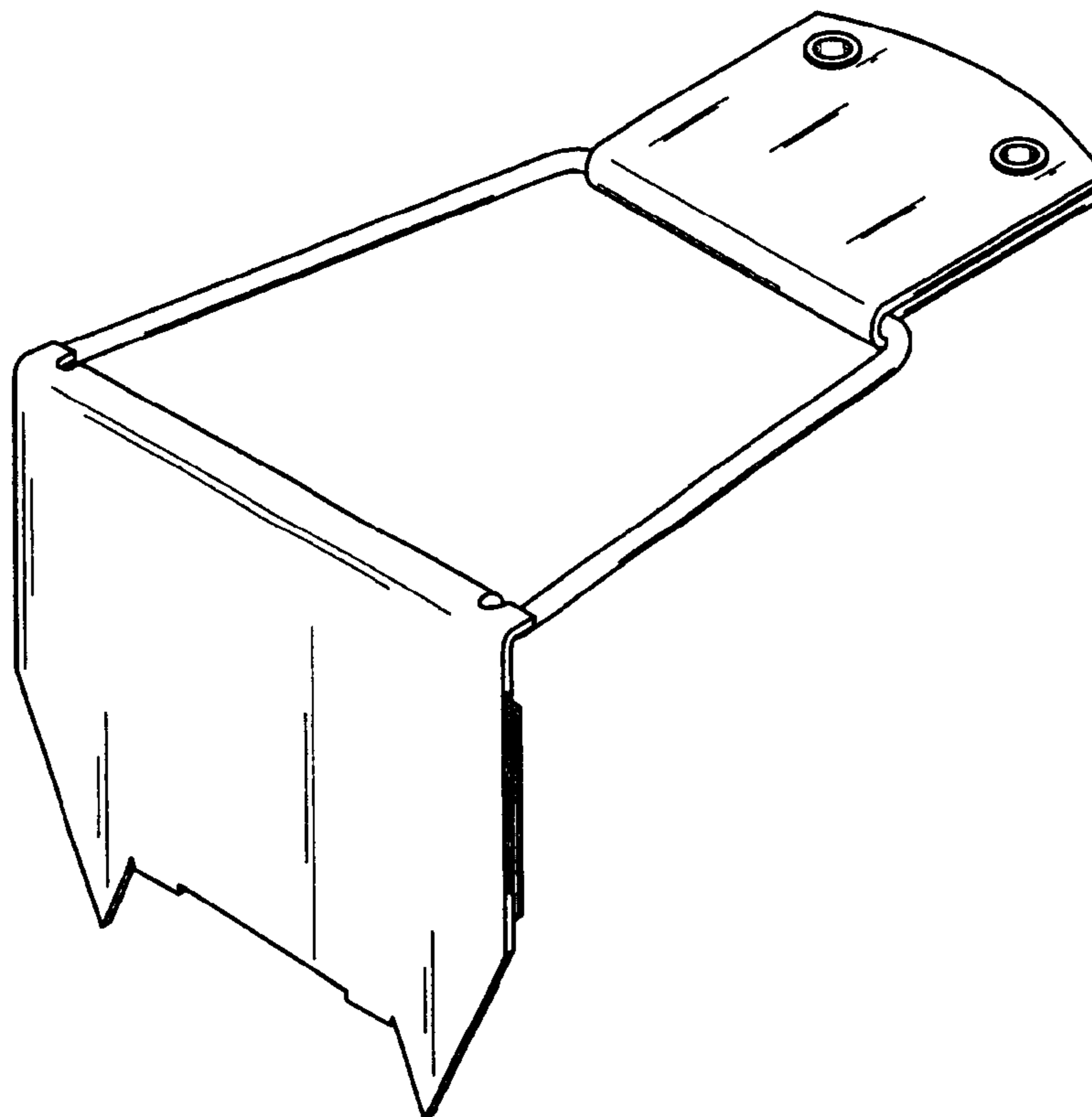
FIG. 4 is a left elevational view thereof;

FIG. 5 is a right elevational view thereof;

FIG. 6 is a top plan view thereof; and,

FIG. 7 is a bottom plan view thereof.

1 Claim, 2 Drawing Sheets



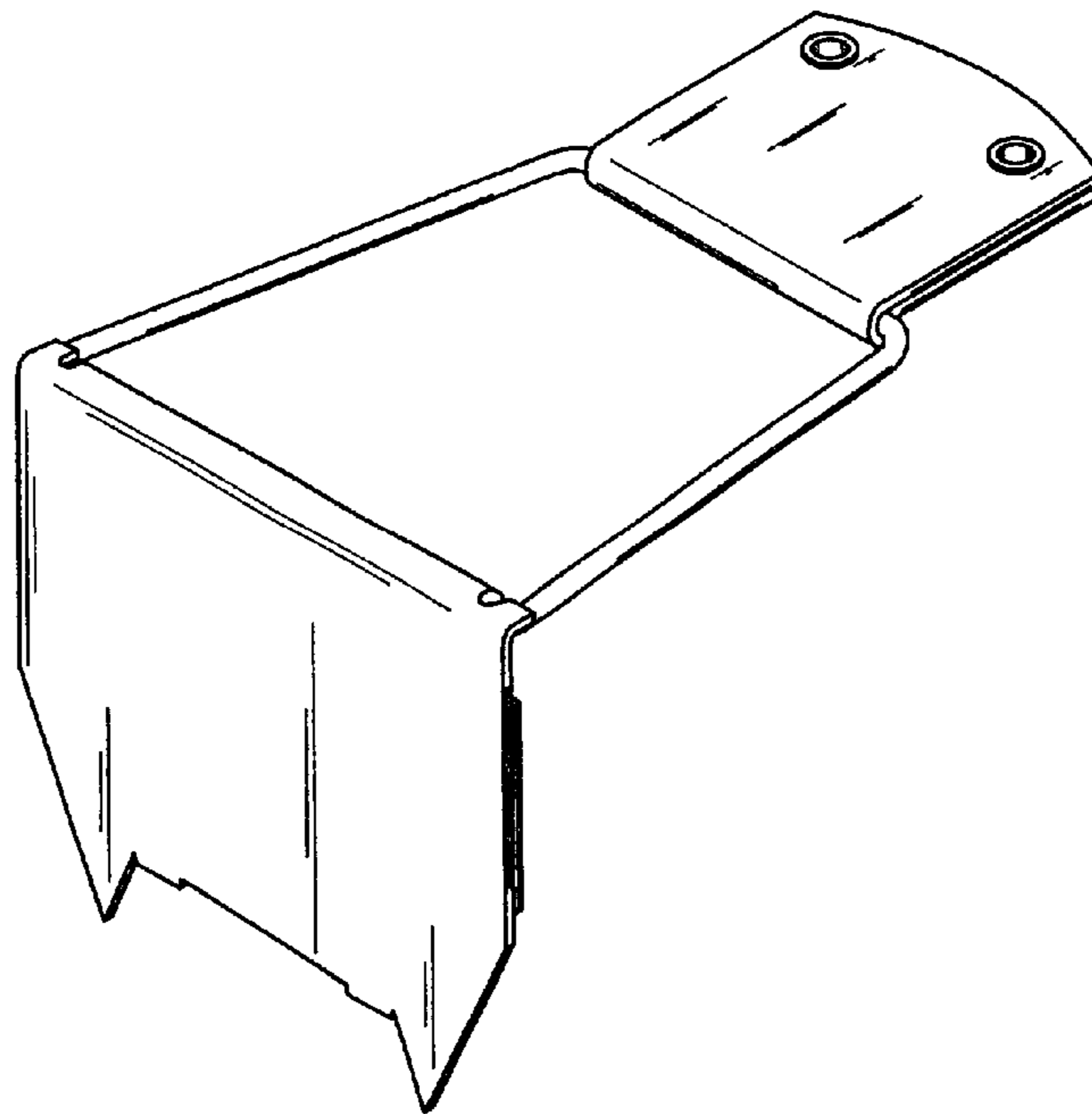


FIG. 1

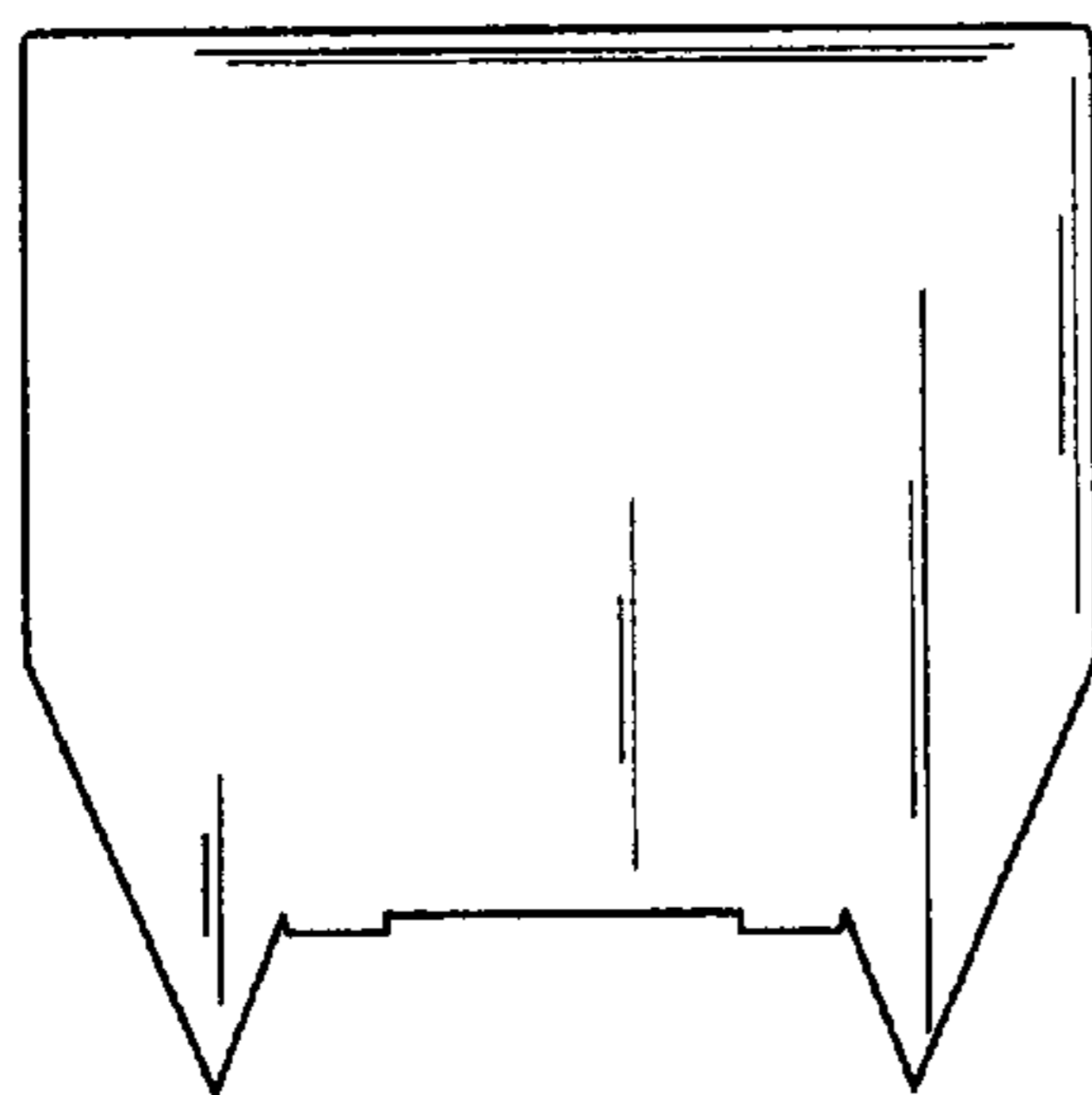


FIG. 2

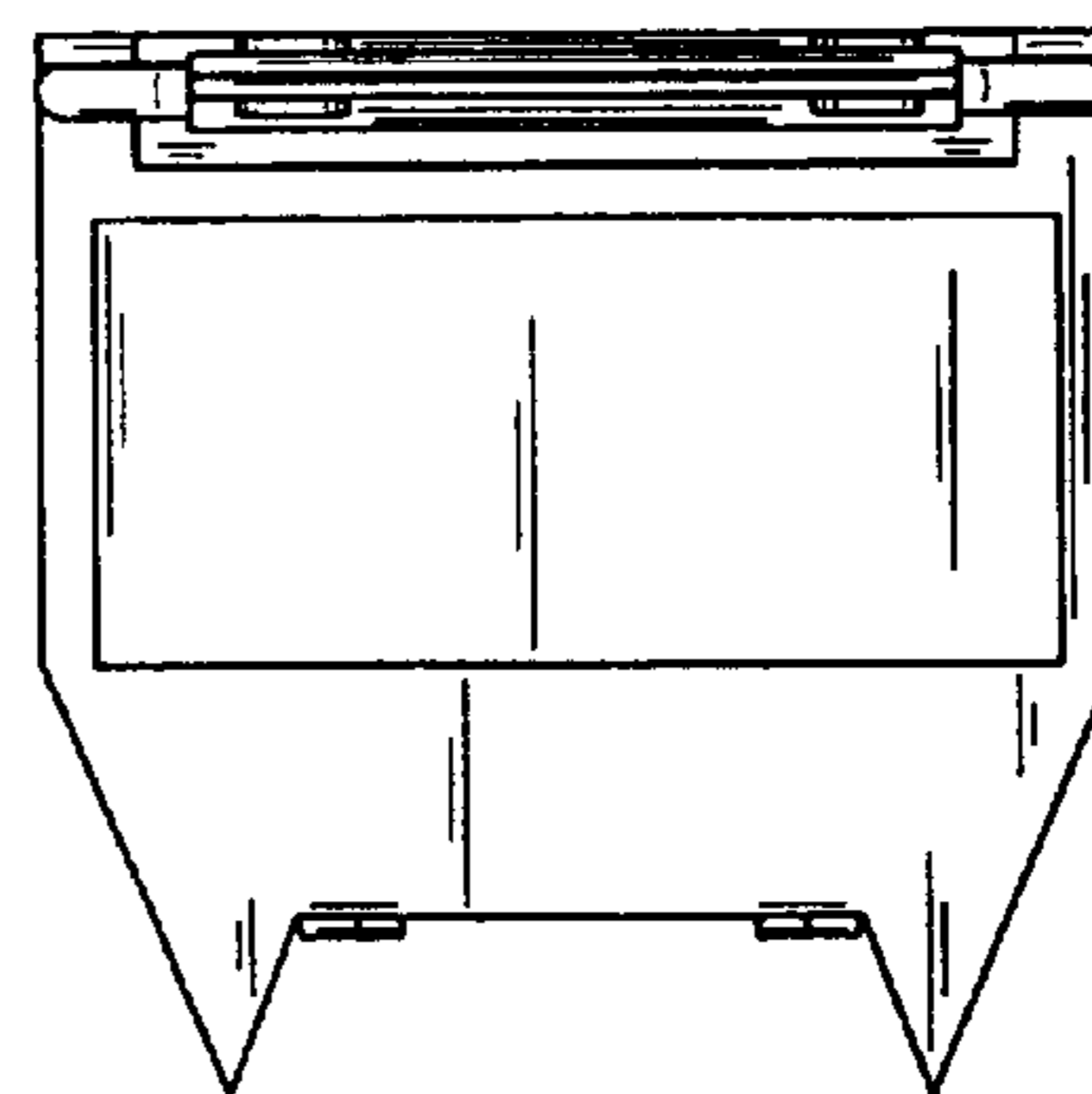


FIG. 3

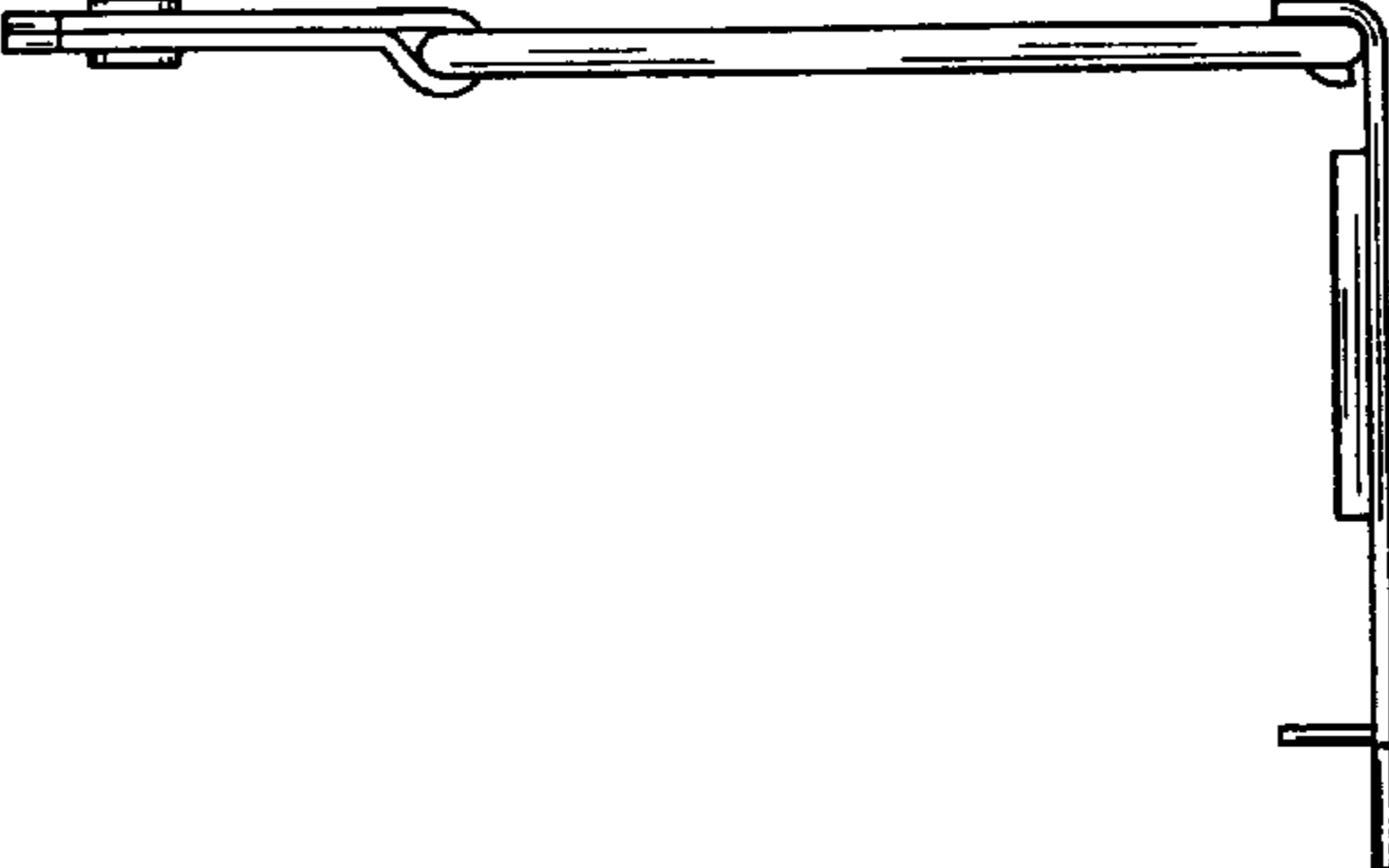


FIG. 4

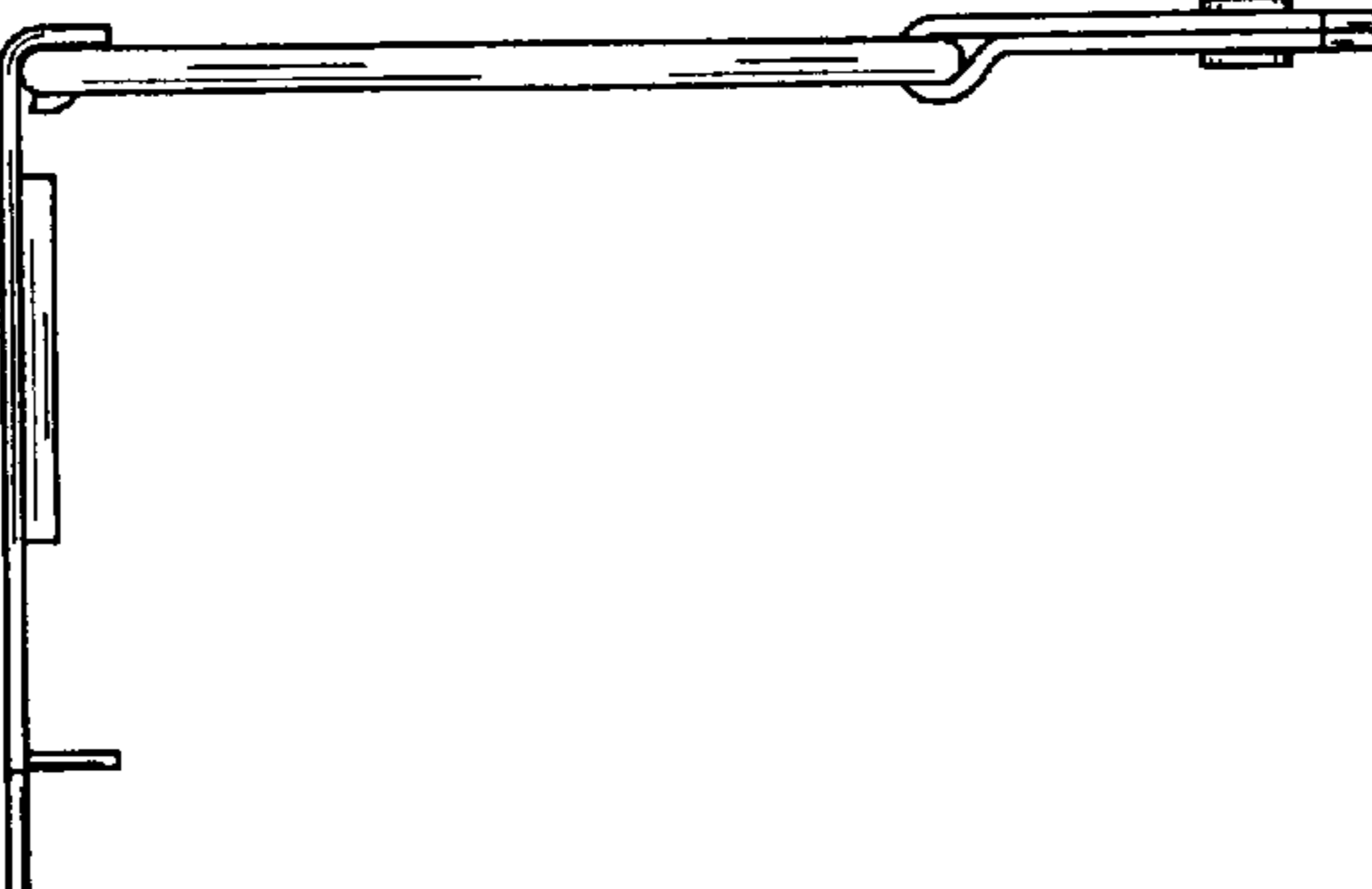


FIG. 5

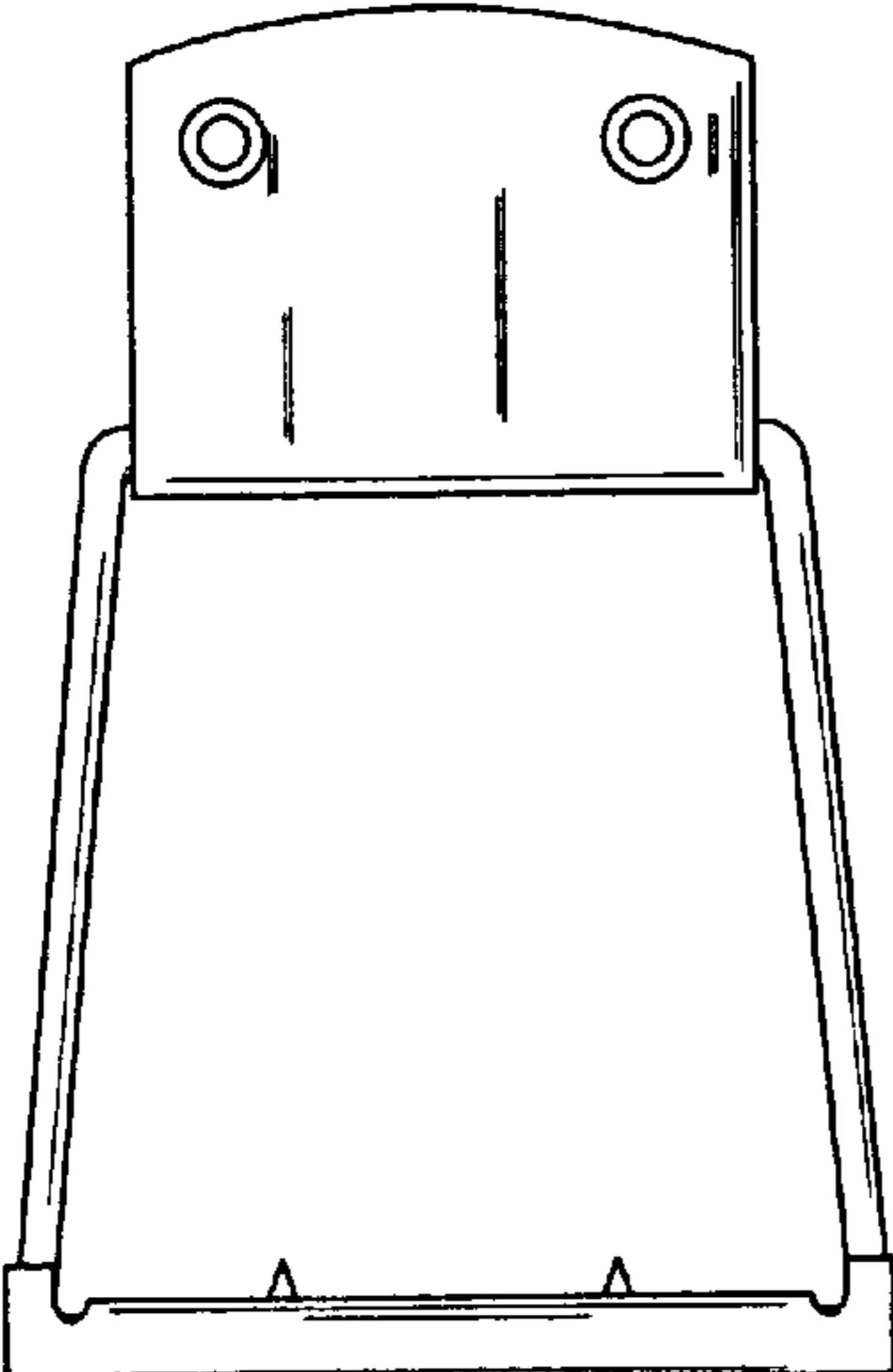


FIG. 6

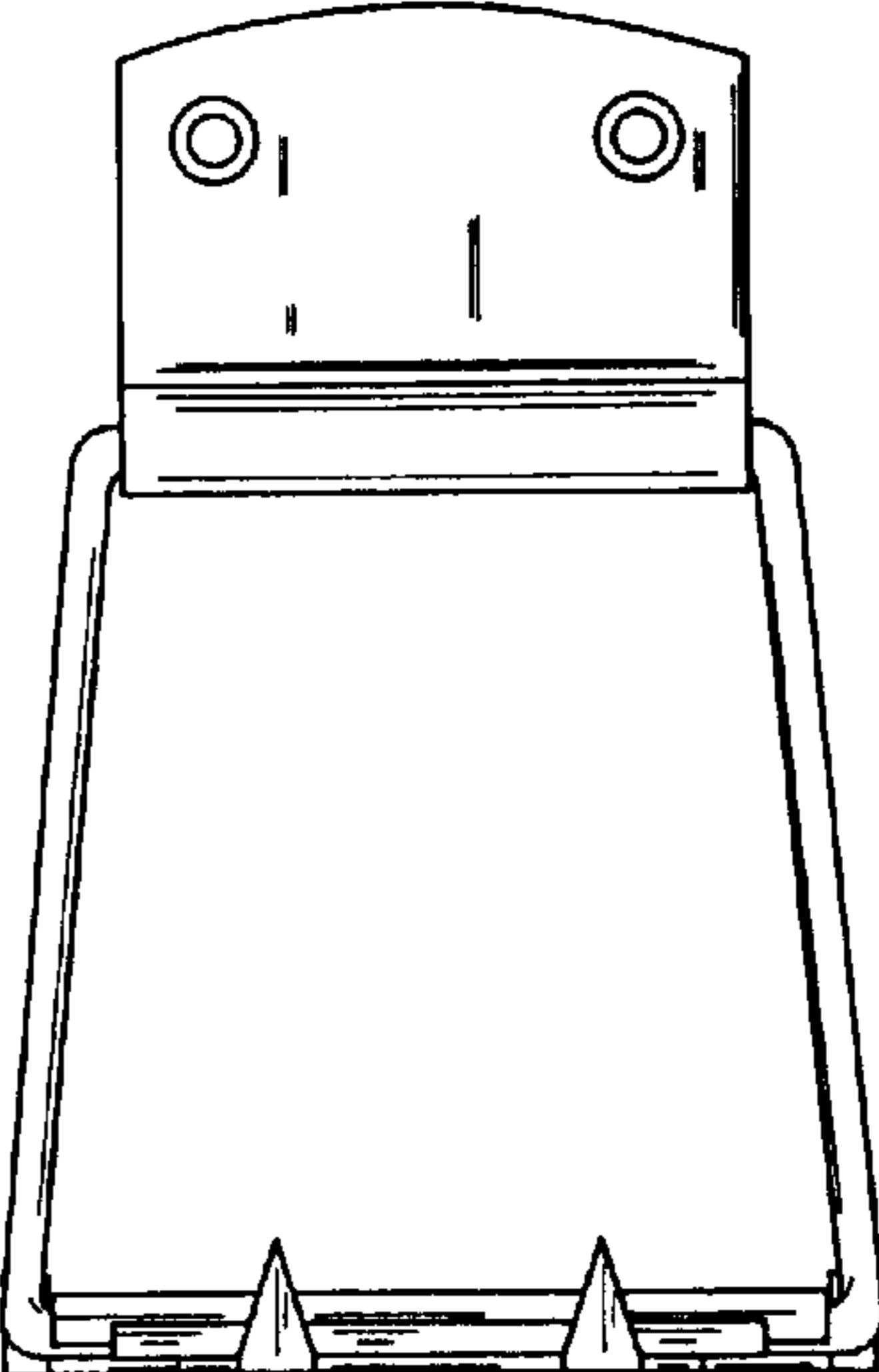


FIG. 7