



US00D514961S

(12) **United States Design Patent**
Kim

(10) **Patent No.:** **US D514,961 S**
(45) **Date of Patent:** **** Feb. 14, 2006**

(54) **KEYHOLD CROSS-SECTION LEVEL**

D385,807 S * 11/1997 Gruetzmacher D10/69

(75) Inventor: **Charles D. Kim**, Raleigh, NC (US)

* cited by examiner

(73) Assignee: **Empire Level Mfg. Co.**, Mukwonago, WI (US)

Primary Examiner—Antoine D. Davis

(74) *Attorney, Agent, or Firm*—Jansson, Shupe & Munger, Ltd.

(**) Term: **14 Years**

(57) **CLAIM**

(21) Appl. No.: **29/203,699**

The ornamental design for a keyhold cross-section level, as shown and described.

(22) Filed: **Apr. 16, 2004**

DESCRIPTION

(51) **LOC (8) Cl.** **10-04**

(52) **U.S. Cl.** **D10/69**

(58) **Field of Classification Search** D10/69;
33/365, 366.11–366.27, 367–390

FIG. 1 is a perspective view of the invention.

FIG. 2 is a top view of the invention.

FIG. 3 is a front view of the invention, the rear view is mirror image.

FIG. 4 is a bottom view of the invention; and,

FIG. 5 is a right side view of the invention, the left side view is identical.

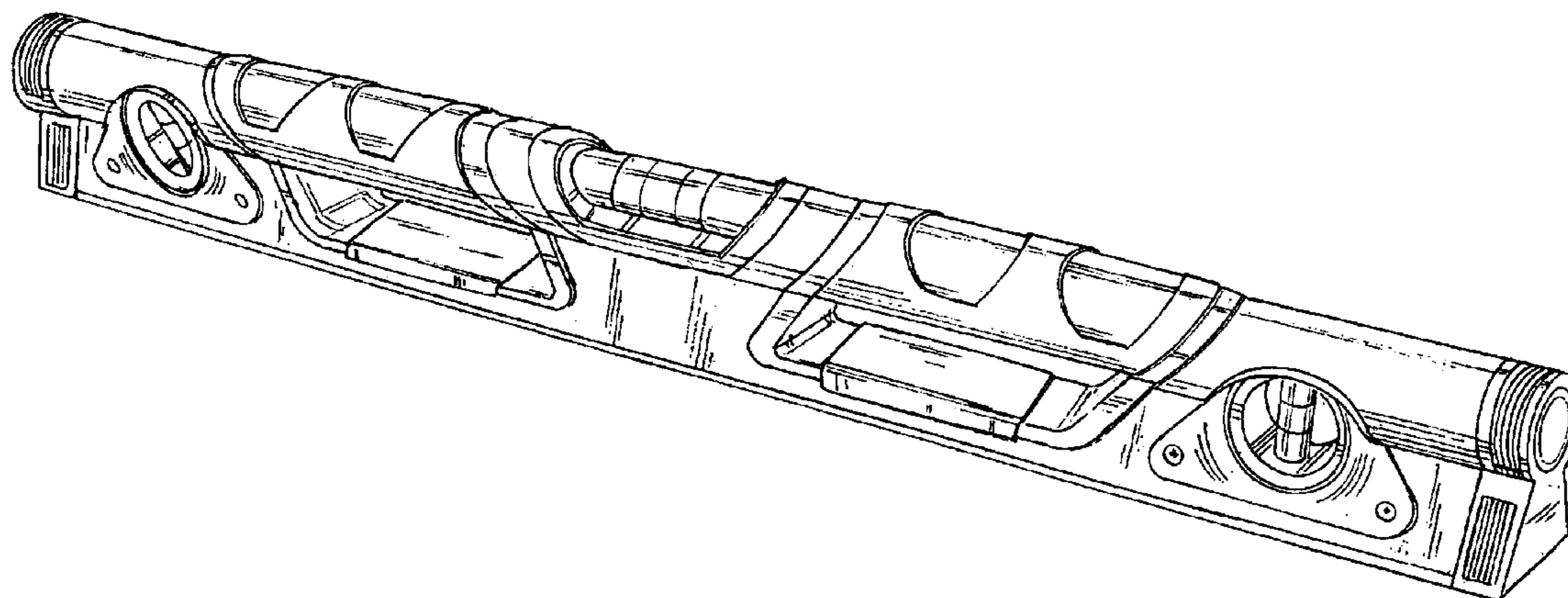
See application file for complete search history.

(56) **References Cited**

U.S. PATENT DOCUMENTS

4,663,856 A * 5/1987 Hall et al. 33/373

1 Claim, 2 Drawing Sheets



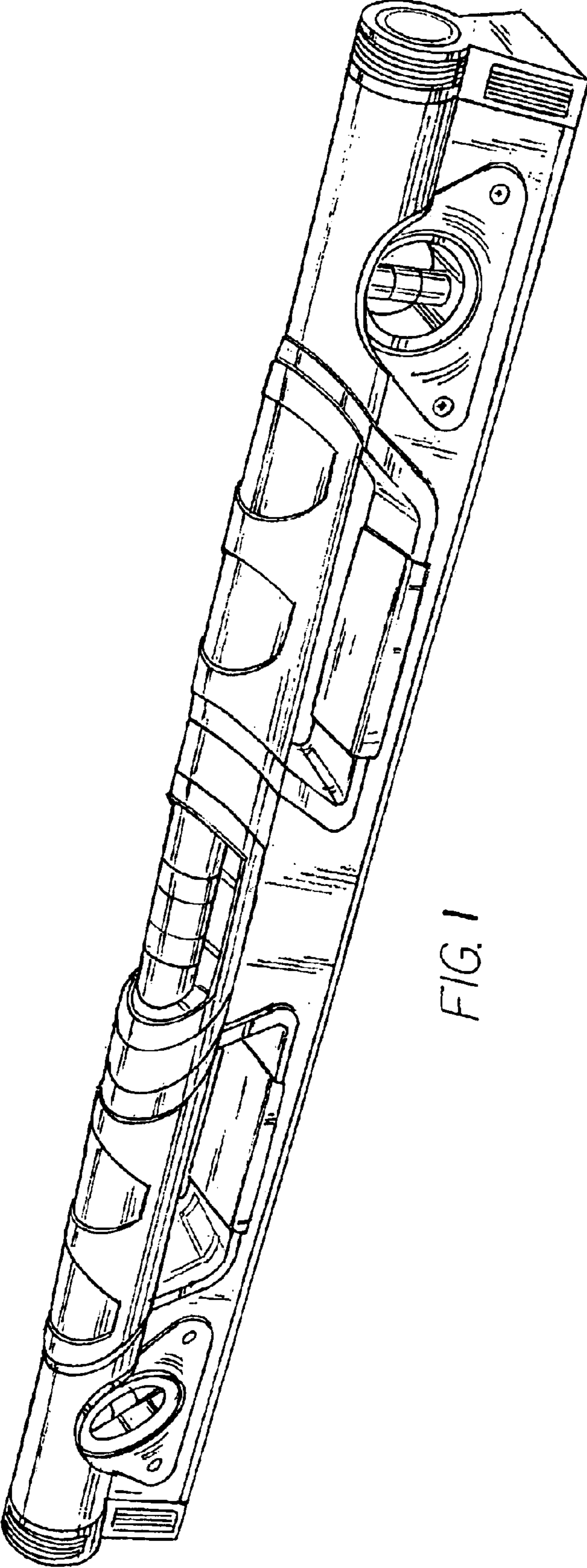


FIG. 1

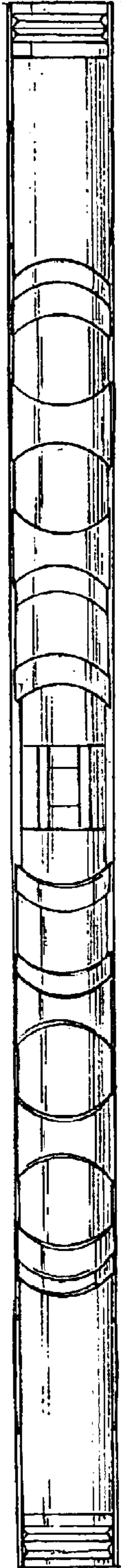


FIG 2

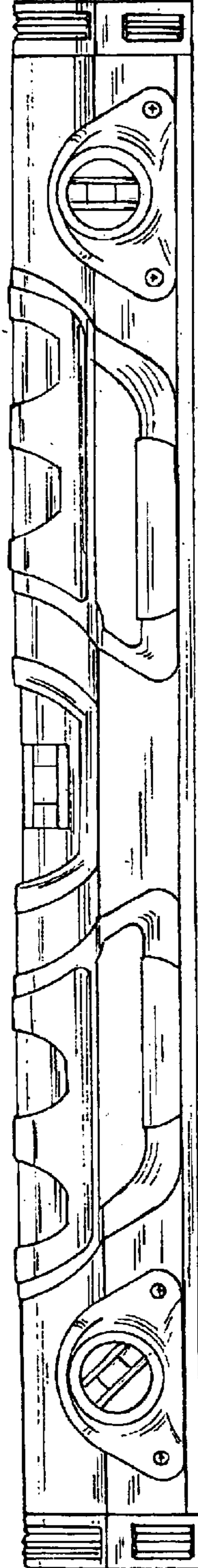


FIG 3

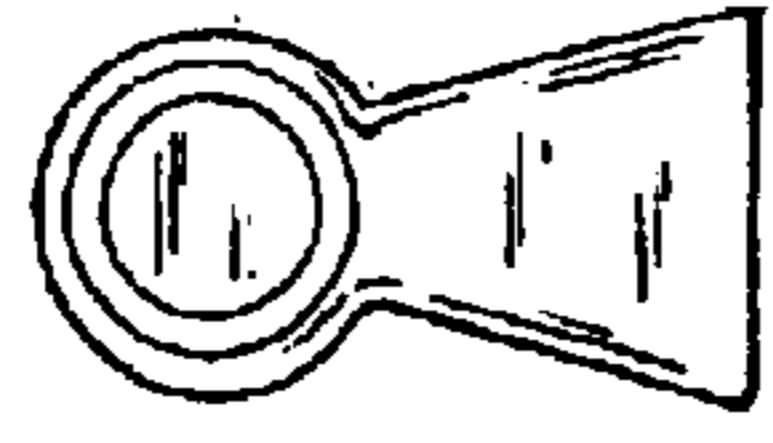


FIG 5

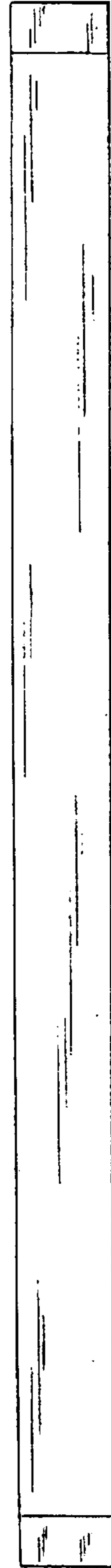


FIG 4

UNITED STATES PATENT AND TRADEMARK OFFICE
CERTIFICATE OF CORRECTION

PATENT NO. : Des. 514,961 S
APPLICATION NO. : 29/203699
DATED : February 14, 2006
INVENTOR(S) : Charles D. Kim

Page 1 of 1

It is certified that error appears in the above-identified patent and that said Letters Patent is hereby corrected as shown below:

Title page, item (54) delete "KEYHOLD" and replace it with --KEYHOLE--

Title page, item (57) in the claim, delete "keyhold" and replace it with --keyhole--

Signed and Sealed this

Nineteenth Day of September, 2006

A handwritten signature in black ink on a light gray dotted background. The signature reads "Jon W. Dudas" in a cursive style.

JON W. DUDAS

Director of the United States Patent and Trademark Office