



US00D514959S

(12) **United States Design Patent**
Deleskiewicz

(10) **Patent No.:** **US D514,959 S**
(45) **Date of Patent:** **** Feb. 14, 2006**

- (54) **WATCHCASE WITH BRACELET**
- (75) Inventor: **Jean-Denis Deleskiewicz**, Joinville le Pont (FR)
- (73) Assignee: **Richemont International S.A.**, Villars-sur-Glane (CH)
- (**) Term: **14 Years**
- (21) Appl. No.: **29/214,928**
- (22) Filed: **Oct. 13, 2004**
- (30) **Foreign Application Priority Data**
Apr. 14, 2004 (WO) DM/065 289
- (51) **LOC (8) Cl.** **10-02**
- (52) **U.S. Cl.** **D10/32**
- (58) **Field of Classification Search** D10/30-39,
D10/122-132; D11/3-25; 368/41-44, 82-84,
368/28-30, 239-242, 276, 277, 281, 282,
368/285, 223, 228, 294-295; 63/1.13, 5.1,
63/11, 4, 6; 224/164, 168
See application file for complete search history.

- D101,076 S * 9/1936 Wadsworth D10/39
- D152,355 S * 1/1949 Pennino D10/32
- D152,356 S * 1/1949 Pennino D10/32
- D354,445 S * 1/1995 Wunderman D10/32
- D414,706 S * 10/1999 Jorst D10/32
- D450,602 S * 11/2001 Strasser D10/32
- D454,310 S * 3/2002 Dostourian D10/30
- D468,217 S * 1/2003 Lepeu et al. D10/32
- D478,515 S * 8/2003 Sugiura et al. D10/32
- D496,290 S * 9/2004 Plan D10/32
- D498,683 S * 11/2004 Arabov D10/39

* cited by examiner

Primary Examiner—Lucy Lieberman
(74) *Attorney, Agent, or Firm*—Young & Thompson

(57) **CLAIM**

The ornamental design for a watchcase with bracelet, as shown and described.

DESCRIPTION

FIG. 1 is a top view of the watchcase with bracelet.
FIG. 2 is a bottom view of the watchcase with bracelet.
FIG. 3 is a side view from the bottom of FIG. 1.
FIG. 4 is a side view from the top of FIG. 1.
FIG. 5 is a perspective view of the watchcase with bracelet.
FIG. 6 is a side view from the right of FIG. 1; and,
FIG. 7 is a side view from the left of FIG. 1.

1 Claim, 2 Drawing Sheets

- (56) **References Cited**
U.S. PATENT DOCUMENTS
1,701,339 A * 2/1929 Roy 24/265 R
D80,359 S * 1/1930 Conant D10/38

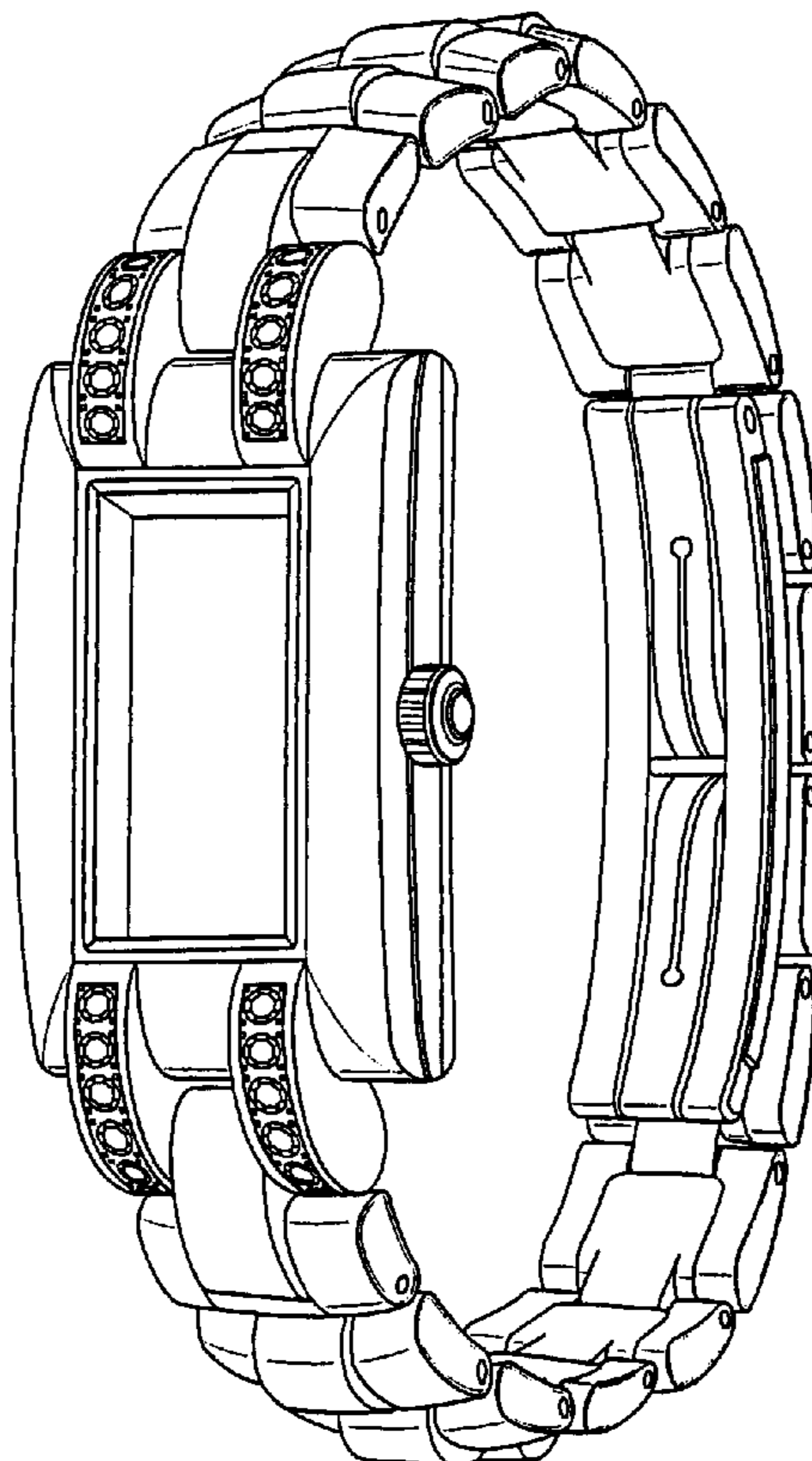


Fig. 1

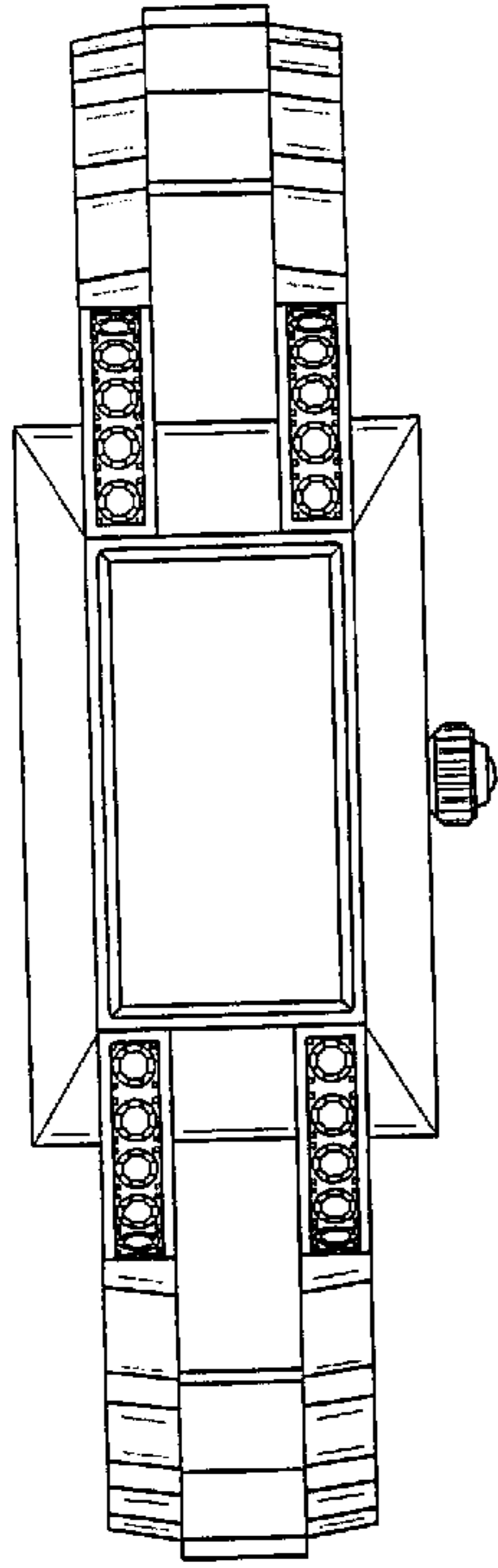


Fig. 2

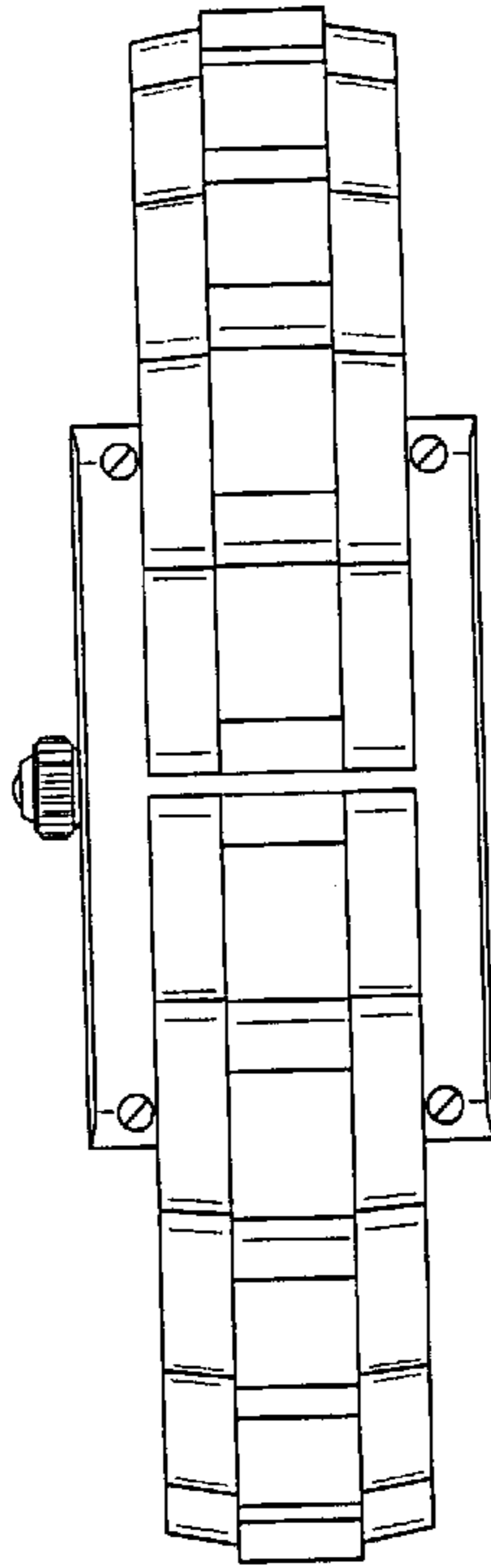


Fig. 3

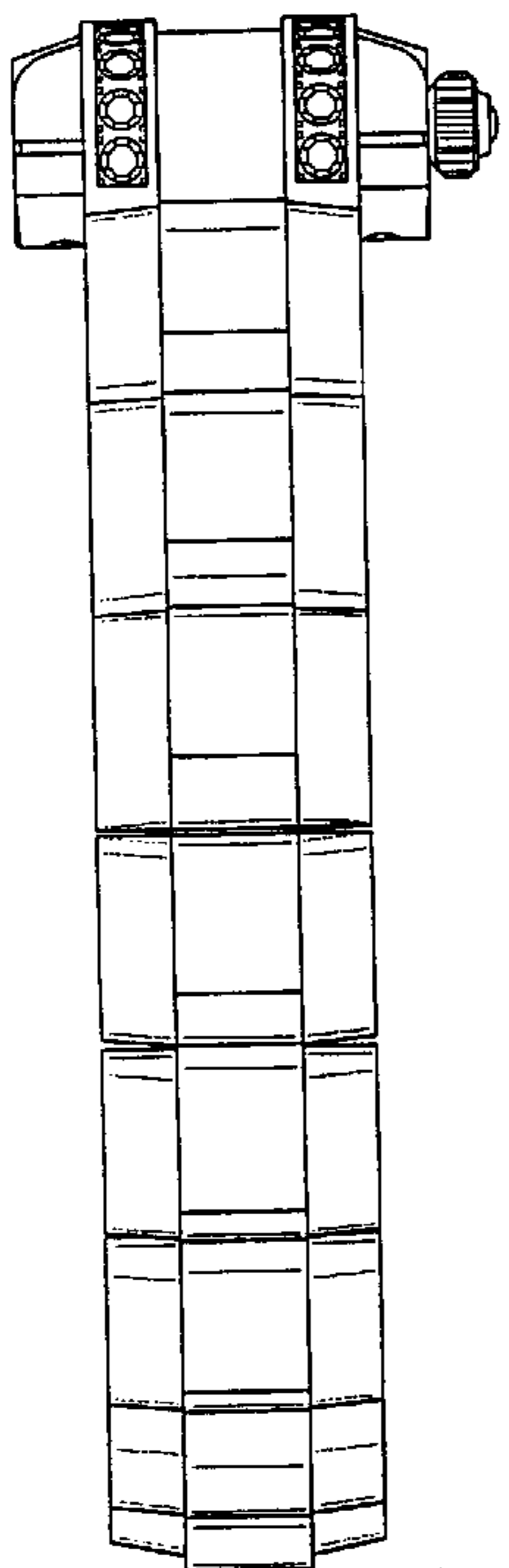


Fig. 4

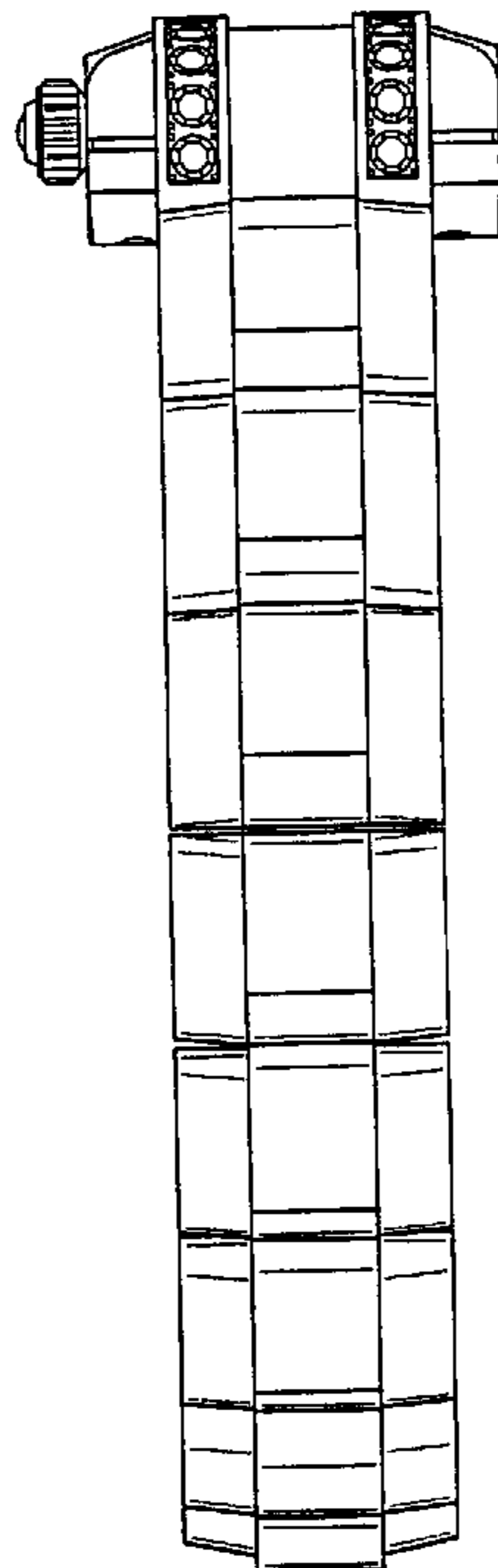


Fig. 5

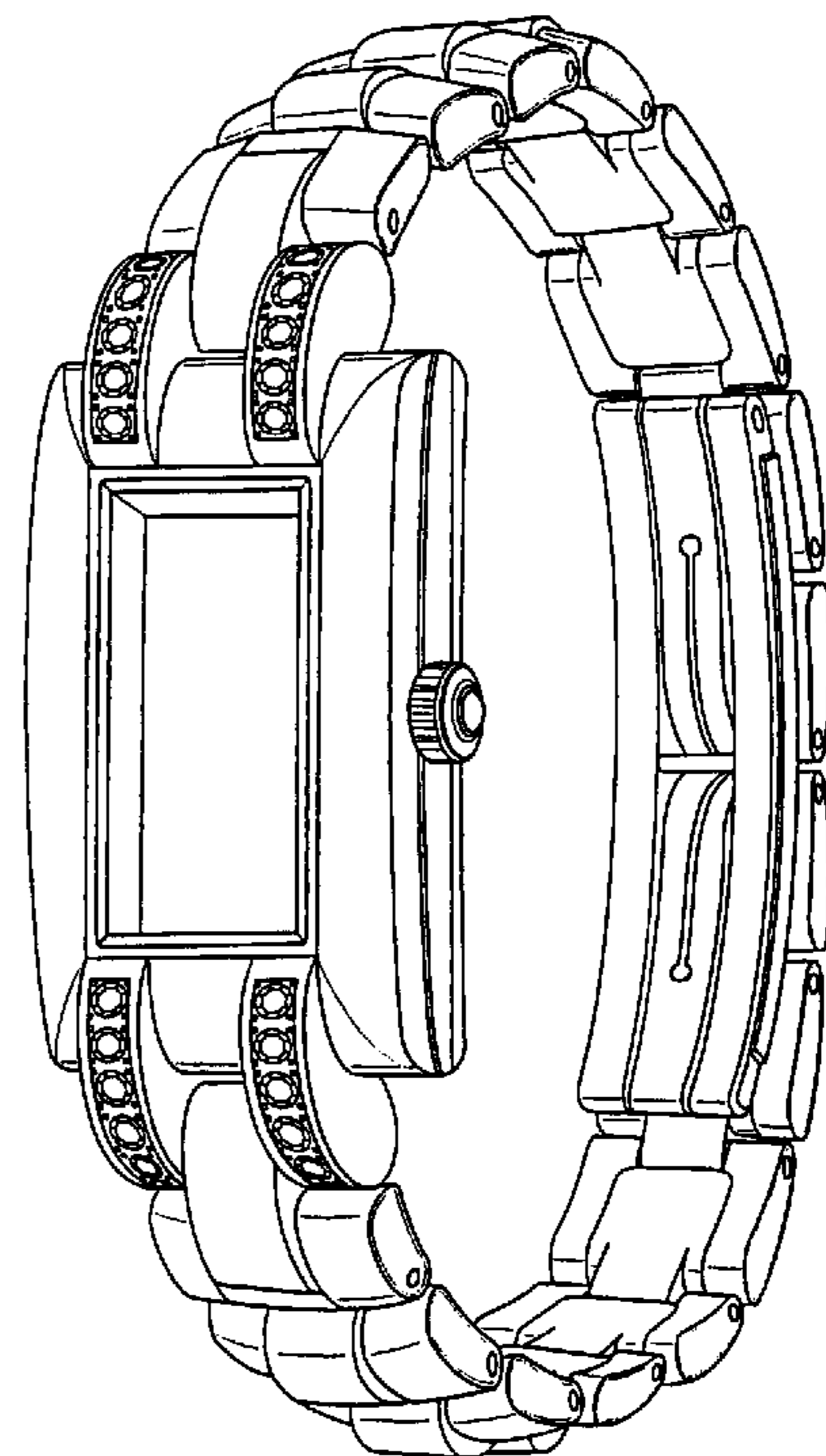


Fig. 6

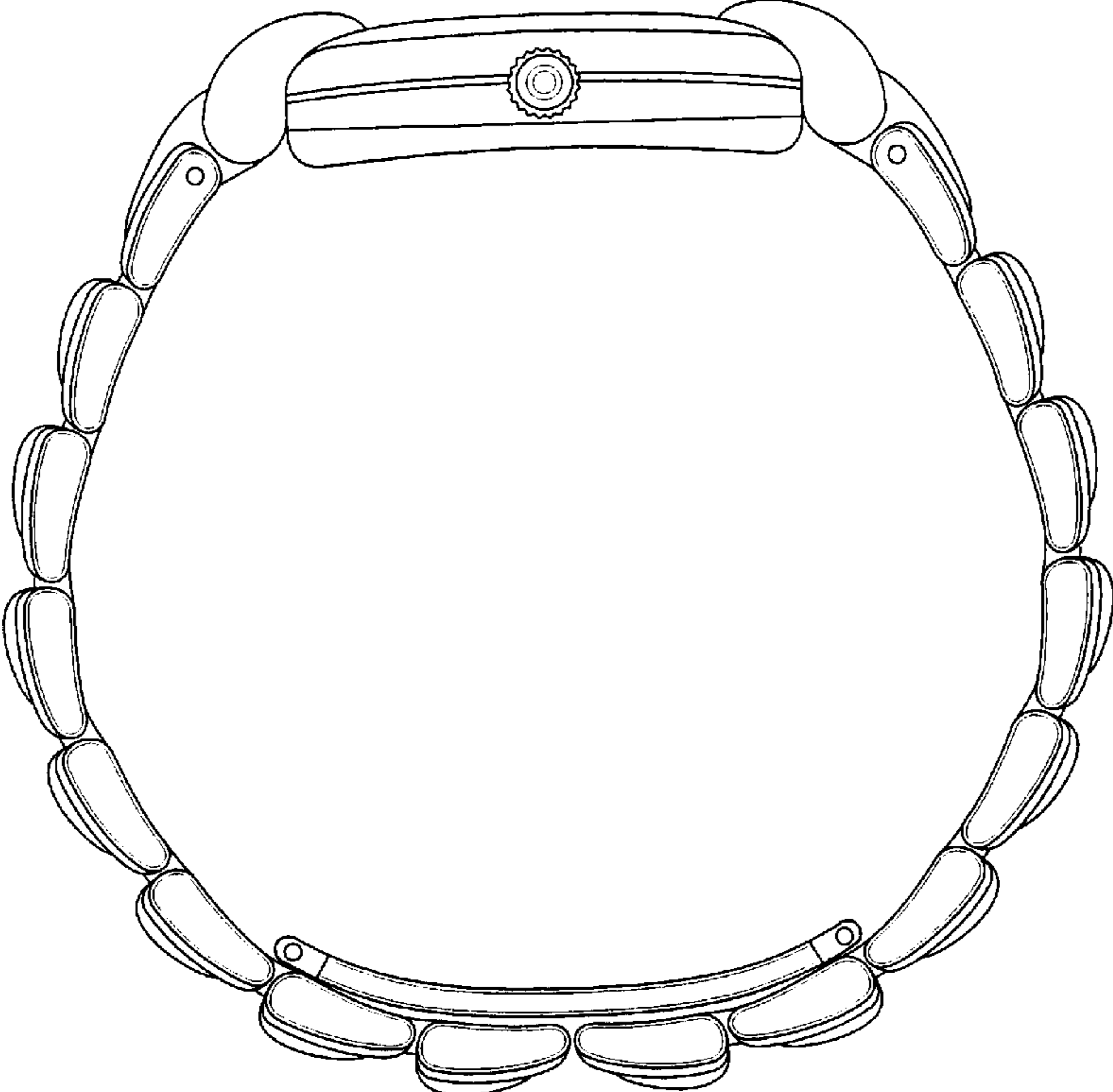


Fig. 7

