



US00D514952S

(12) **United States Design Patent** (10) **Patent No.:** **US D514,952 S**
Zerfas (45) **Date of Patent:** **** Feb. 14, 2006**

(54) **MULTIPLE COMPARTMENT PACKAGE**

6,755,305 B2 6/2004 Nance
2002/0114870 A1 8/2002 Rebhorn et al.

(75) Inventor: **Paul Anthony Zerfas**, Verona, WI (US)

FOREIGN PATENT DOCUMENTS

(73) Assignee: **Kraft Foods Holdings, Inc.**, Northfield, IL (US)

EP	0 017 276	10/1980
EP	0 449 643	10/1991
EP	0 638 488	2/1995
EP	0 841 261	5/1998
EP	0 974 531	1/2000
EP	1 057 748	12/2000
EP	1 186 549	3/2002
JP	2003/231571	8/2003
WO	WO 92/03355	3/1992
WO	WO 94/19257	9/1994
WO	WO 96/07604	3/1996
WO	WO 01/12523	2/2001

(**) Term: **14 Years**

(21) Appl. No.: **29/213,880**

(22) Filed: **Sep. 24, 2004**

(51) **LOC (8) Cl.** **09-03**

(52) **U.S. Cl.** **D9/737**

(58) **Field of Classification Search** D9/737,
D9/761, 414, 415, 418, 420, 422, 424, 425,
D9/430, 432; 206/557, 563, 564, 518, 508,
206/45.34, 541; 220/23.83, 500, 556, 557,
220/662, 669, 675; 229/406, 904; D7/602,
D7/538; D3/294

See application file for complete search history.

* cited by examiner

Primary Examiner—Stella Reid
Assistant Examiner—Mark A. Goodwin
(74) *Attorney, Agent, or Firm*—Stites & Harbison PLLC;
Marvin Petry

(56) **References Cited**

(57) **CLAIM**

U.S. PATENT DOCUMENTS

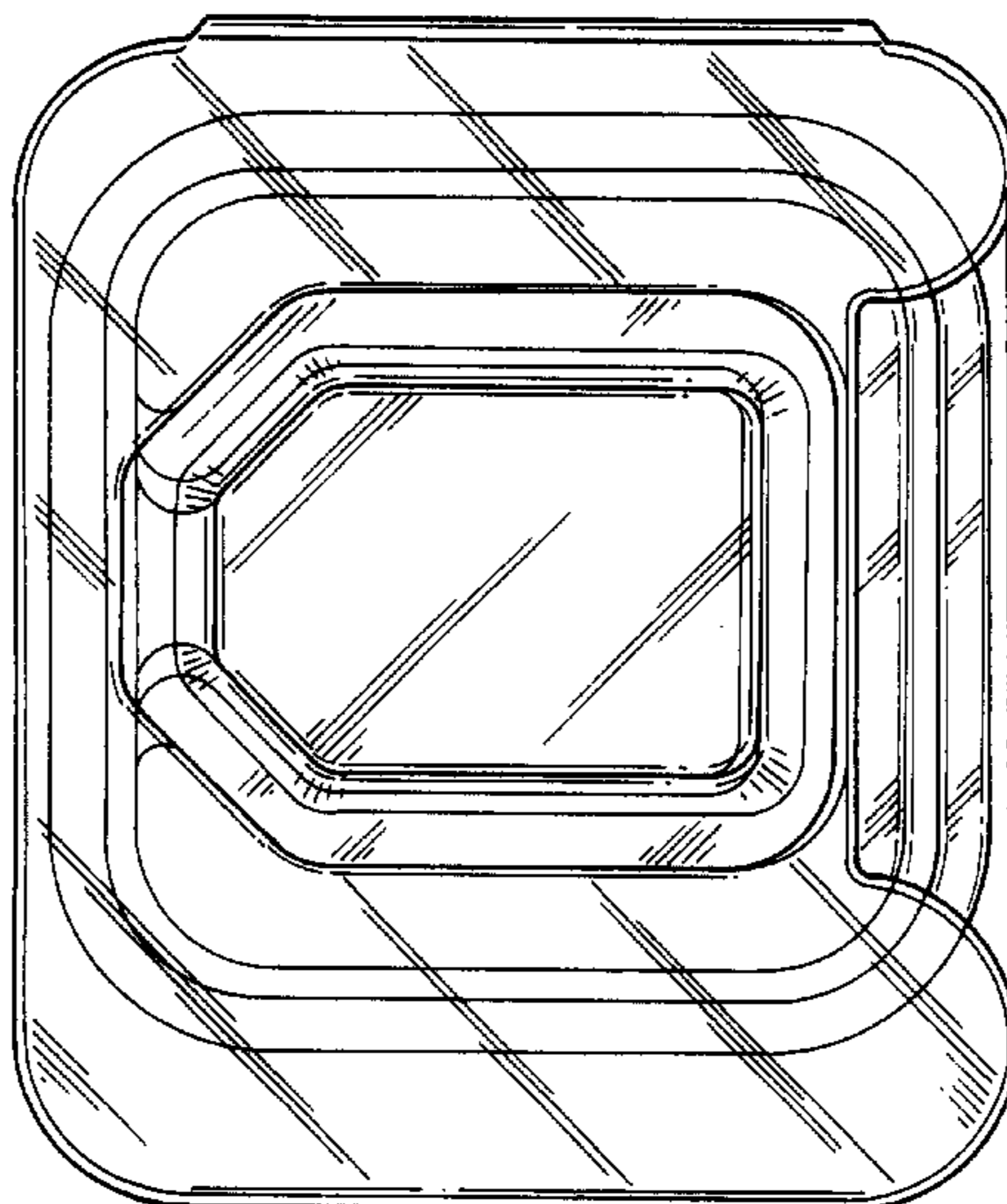
The ornamental design for a multiple compartment package, as shown and described.

4,261,504 A	4/1981	Cowan	
D277,167 S	* 1/1985	Dart	D9/414
D283,487 S	* 4/1986	Holewinski et al.	D9/756
4,848,579 A	7/1989	Barnes et al.	
4,883,935 A	11/1989	Fairchild et al.	
D308,331 S	* 6/1990	Slavin et al.	D9/737
4,951,866 A	8/1990	Rusnak	
4,978,022 A	12/1990	Weick	
5,012,971 A	5/1991	Cozzi et al.	
5,075,119 A	12/1991	Mendenhall	
D366,828 S	* 2/1996	Bachand et al.	D9/761
D394,985 S	* 6/1998	Curtis et al.	D7/538
5,887,740 A	3/1999	Hong	
6,089,375 A	7/2000	Johnson et al.	
6,196,406 B1	3/2001	Ennis	
D451,278 S	* 12/2001	Cooper	D3/294

DESCRIPTION

FIG. 1 is a top plan view of a multiple compartment package showing my new design.
FIG. 2 is a front elevational view thereof.
FIG. 3 is a rear elevational view thereof.
FIG. 4 is a left side elevational view thereof.
FIG. 5 is a right side elevational view thereof.
FIG. 6 is a bottom plan view thereof.
FIG. 7 is a top perspective view thereof.
FIG. 8 is a bottom perspective view thereof; and,
FIG. 9 is a top plan view thereof, shown in open condition.

1 Claim, 7 Drawing Sheets



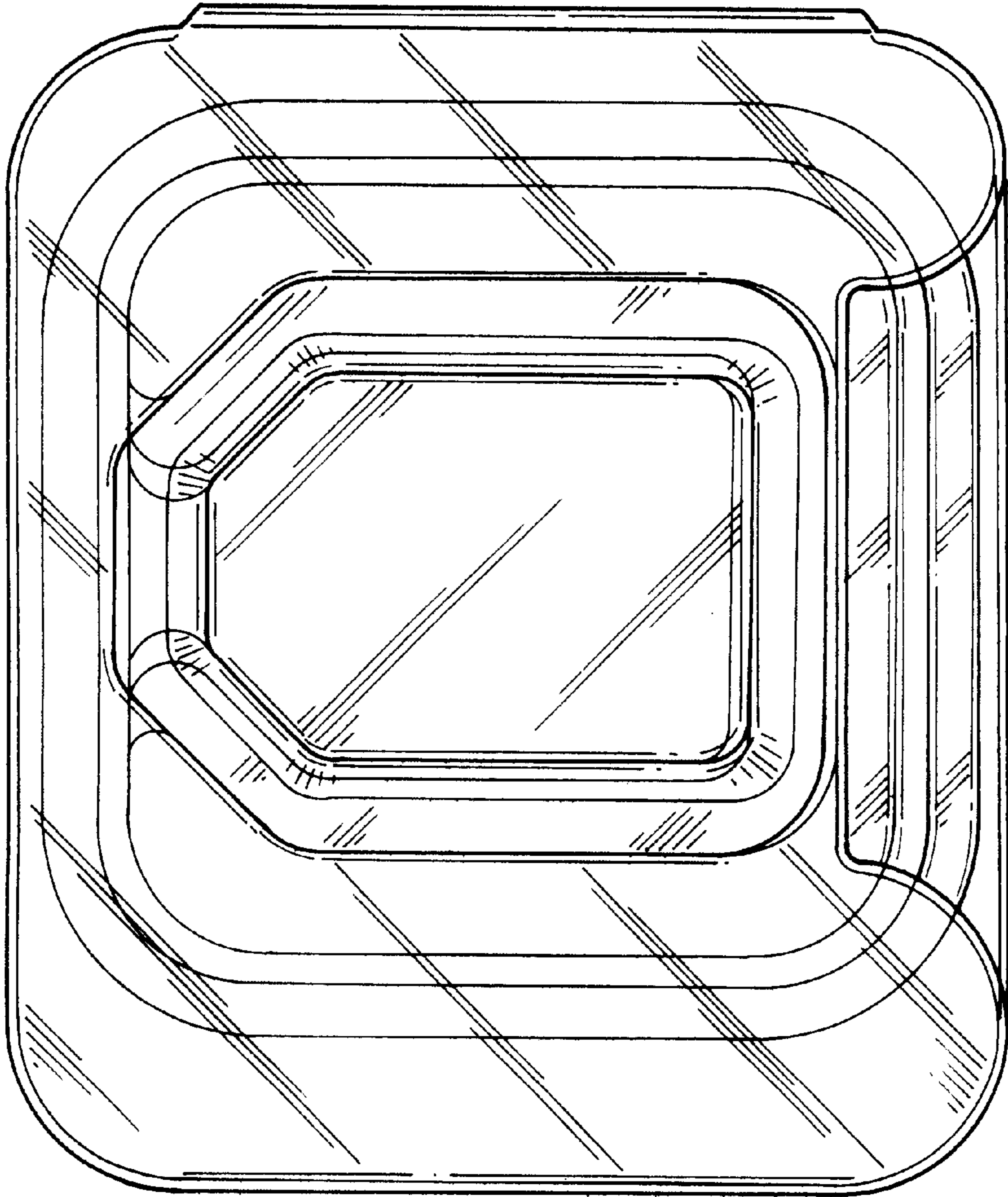


Fig. 1

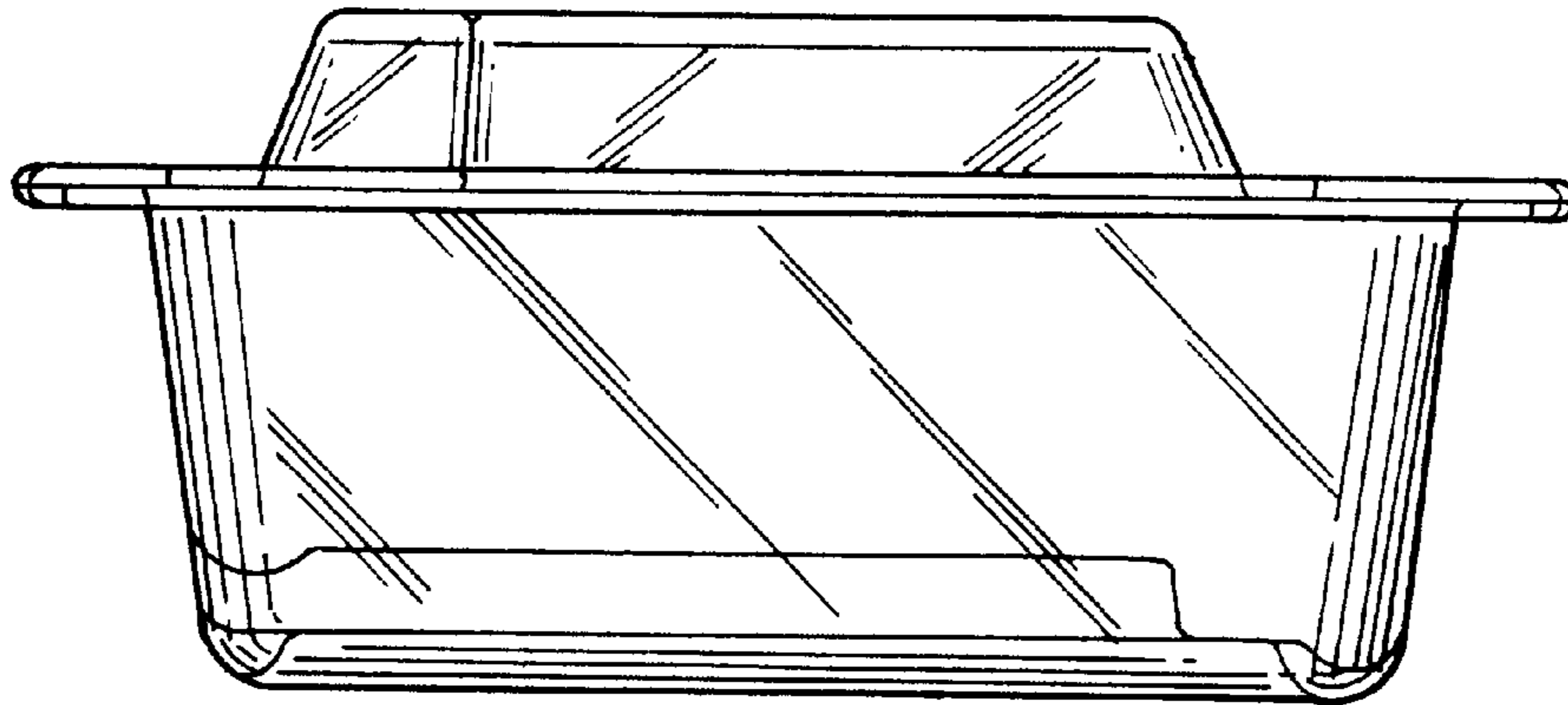


Fig. 2

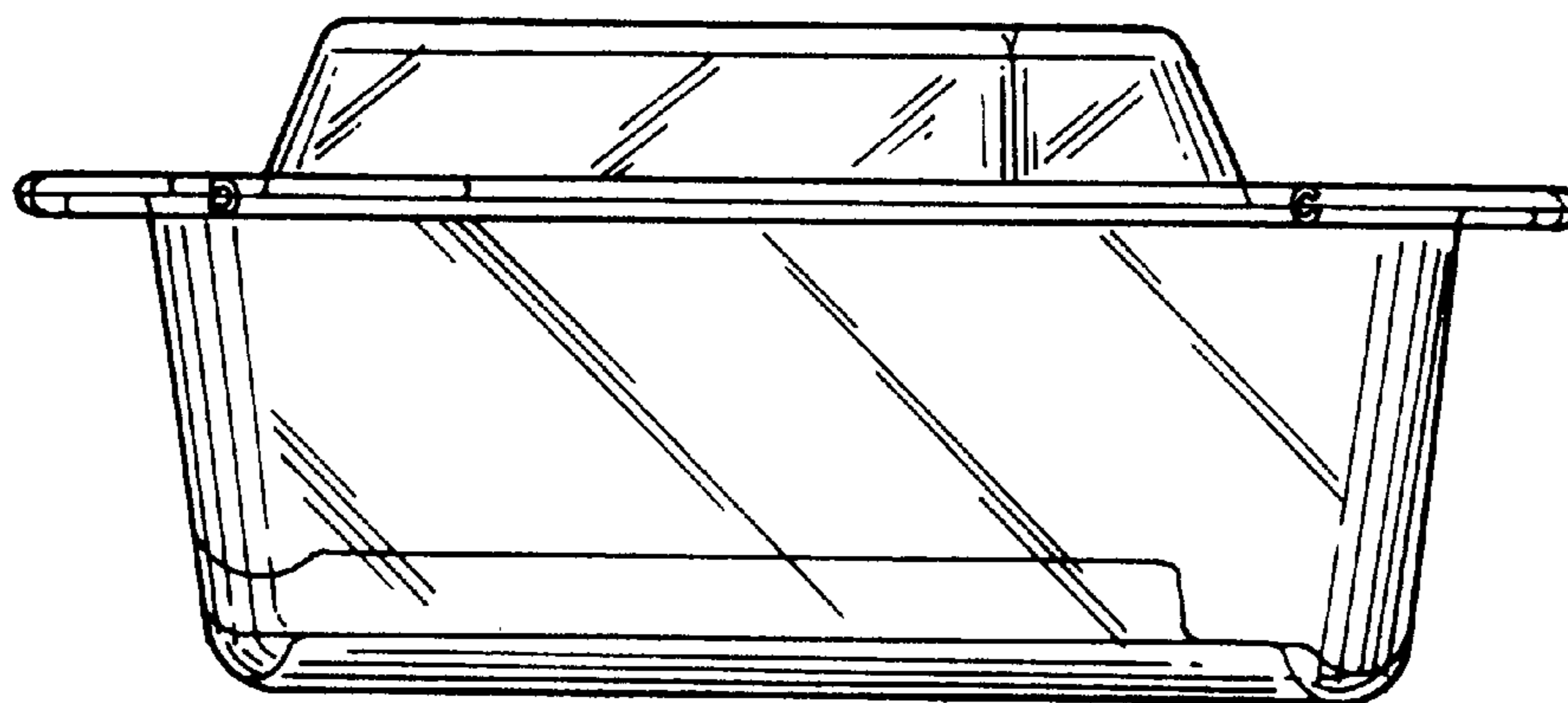


Fig. 3

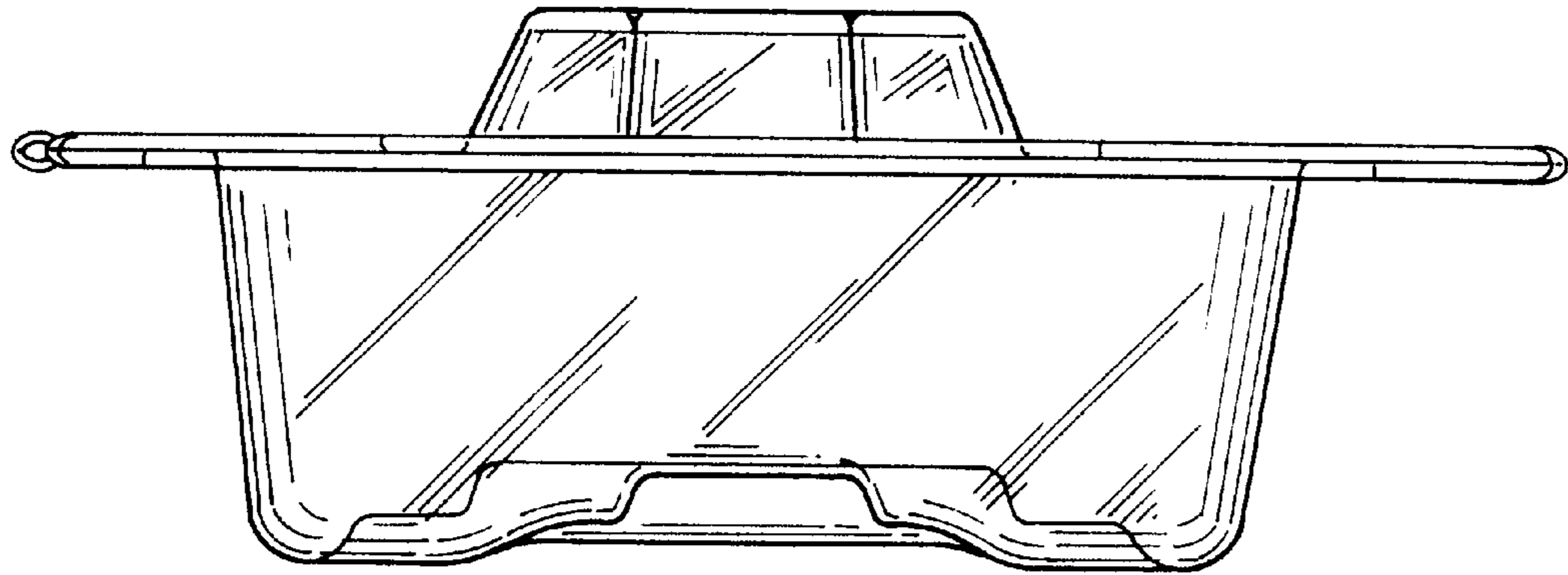


Fig. 4

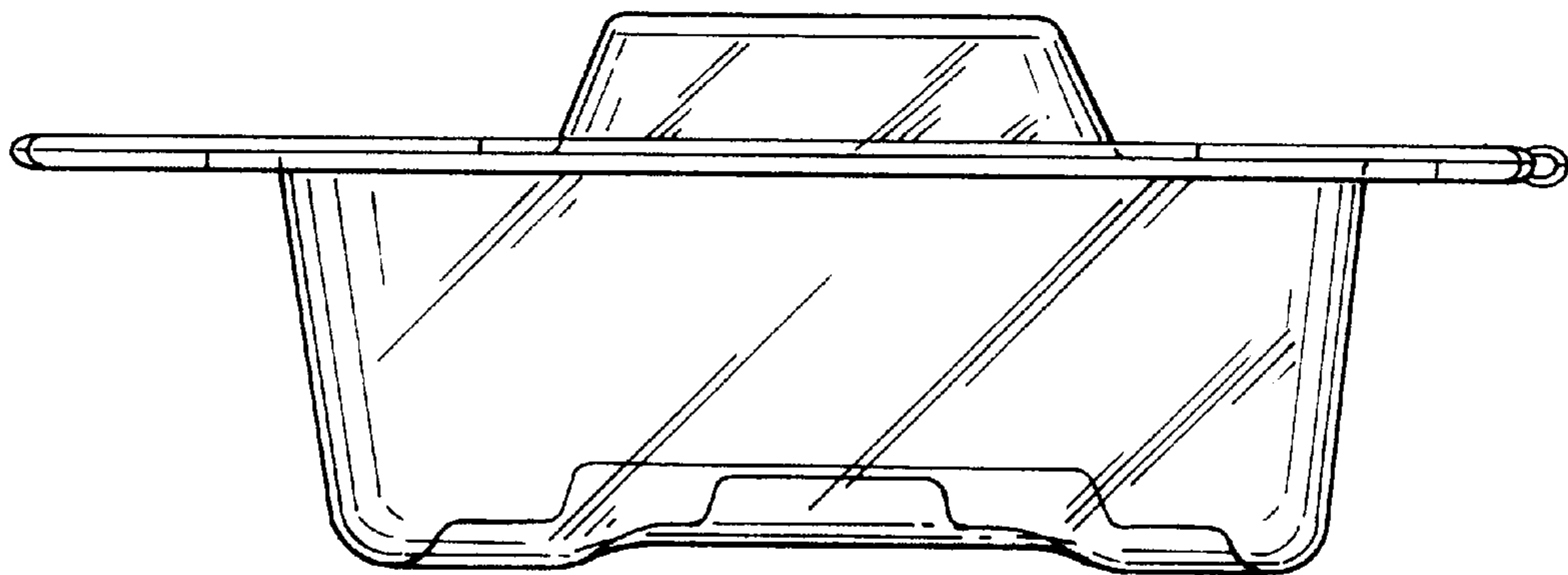


Fig. 5

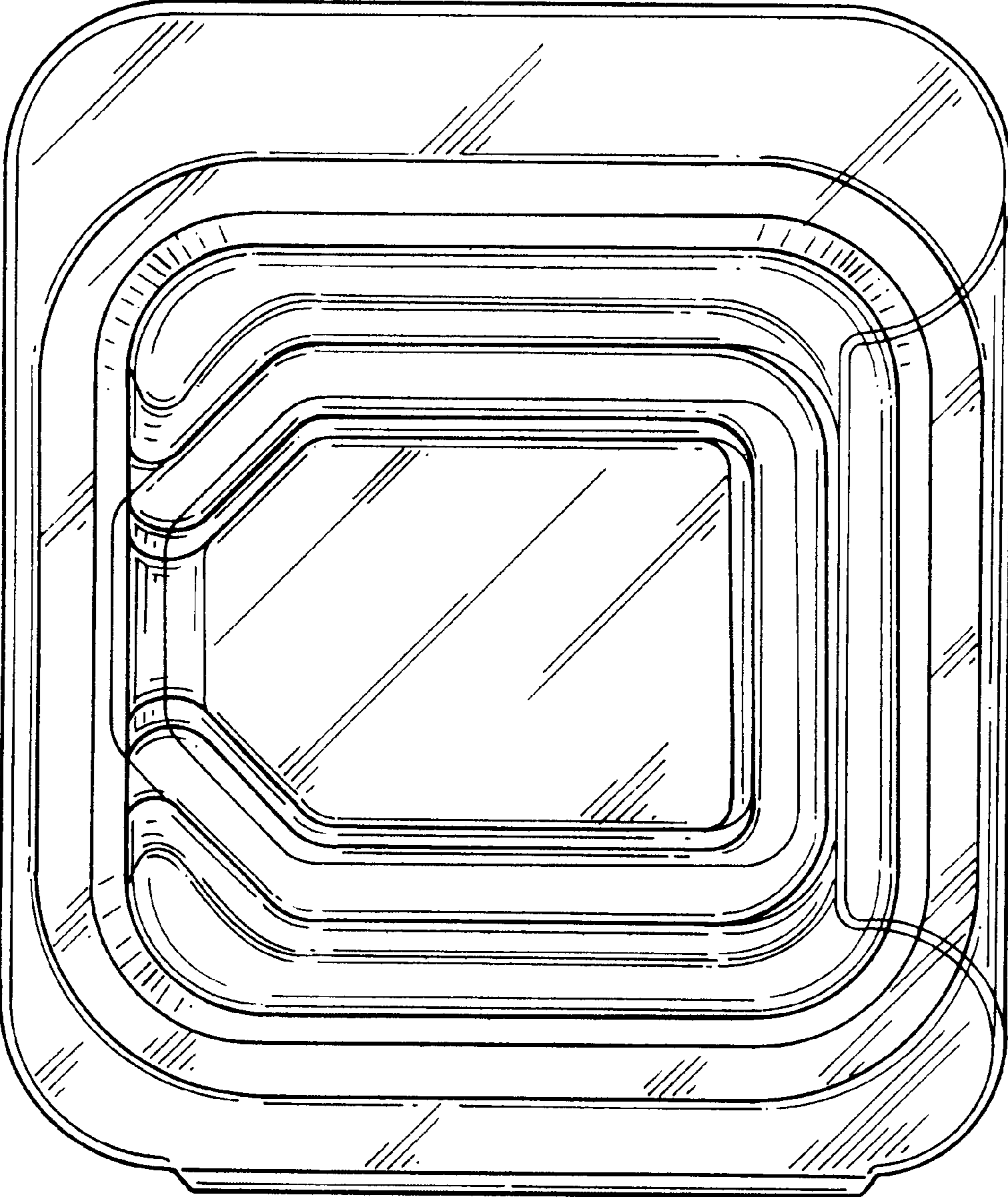


Fig. 6

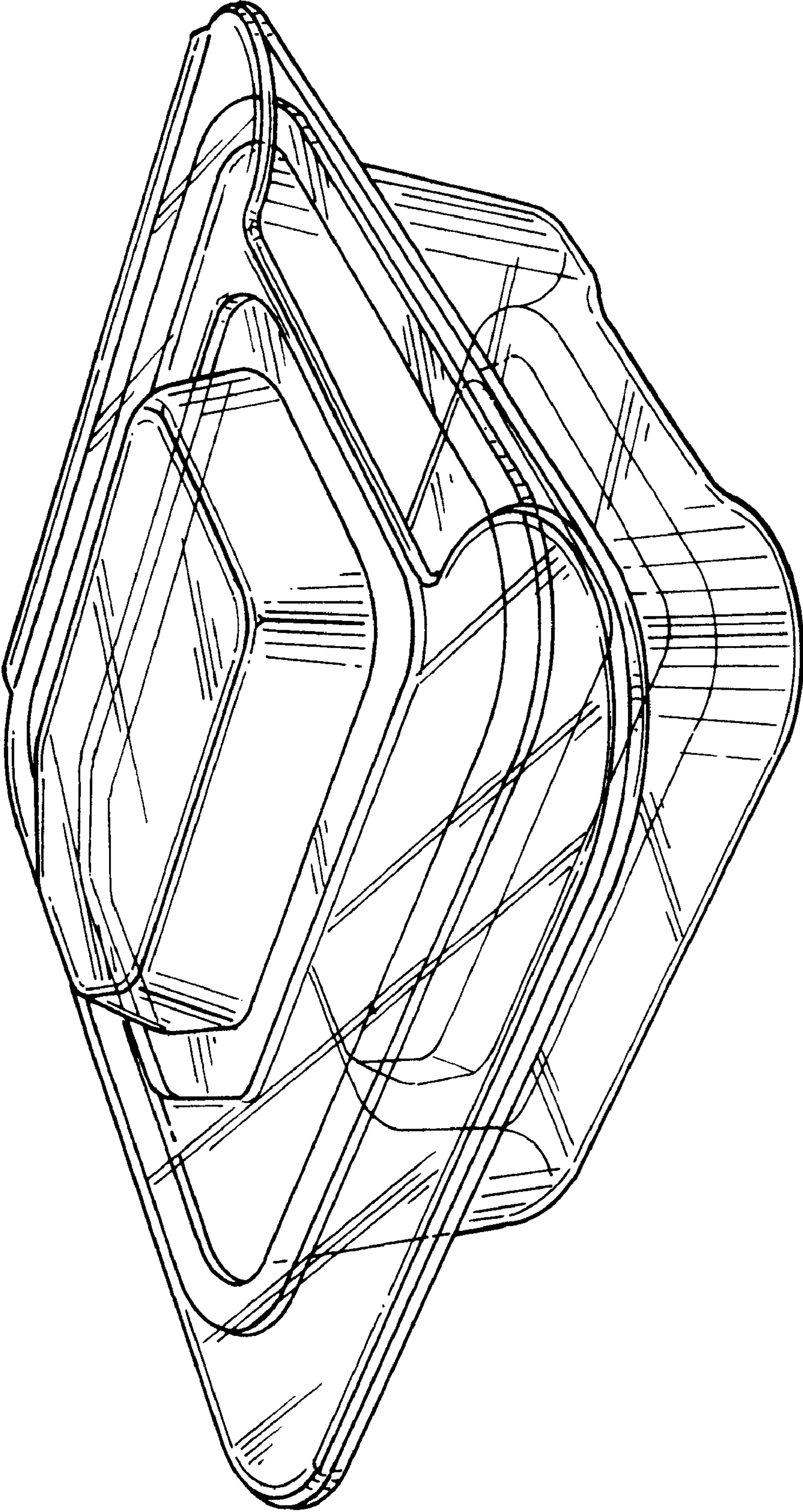


Fig. 7

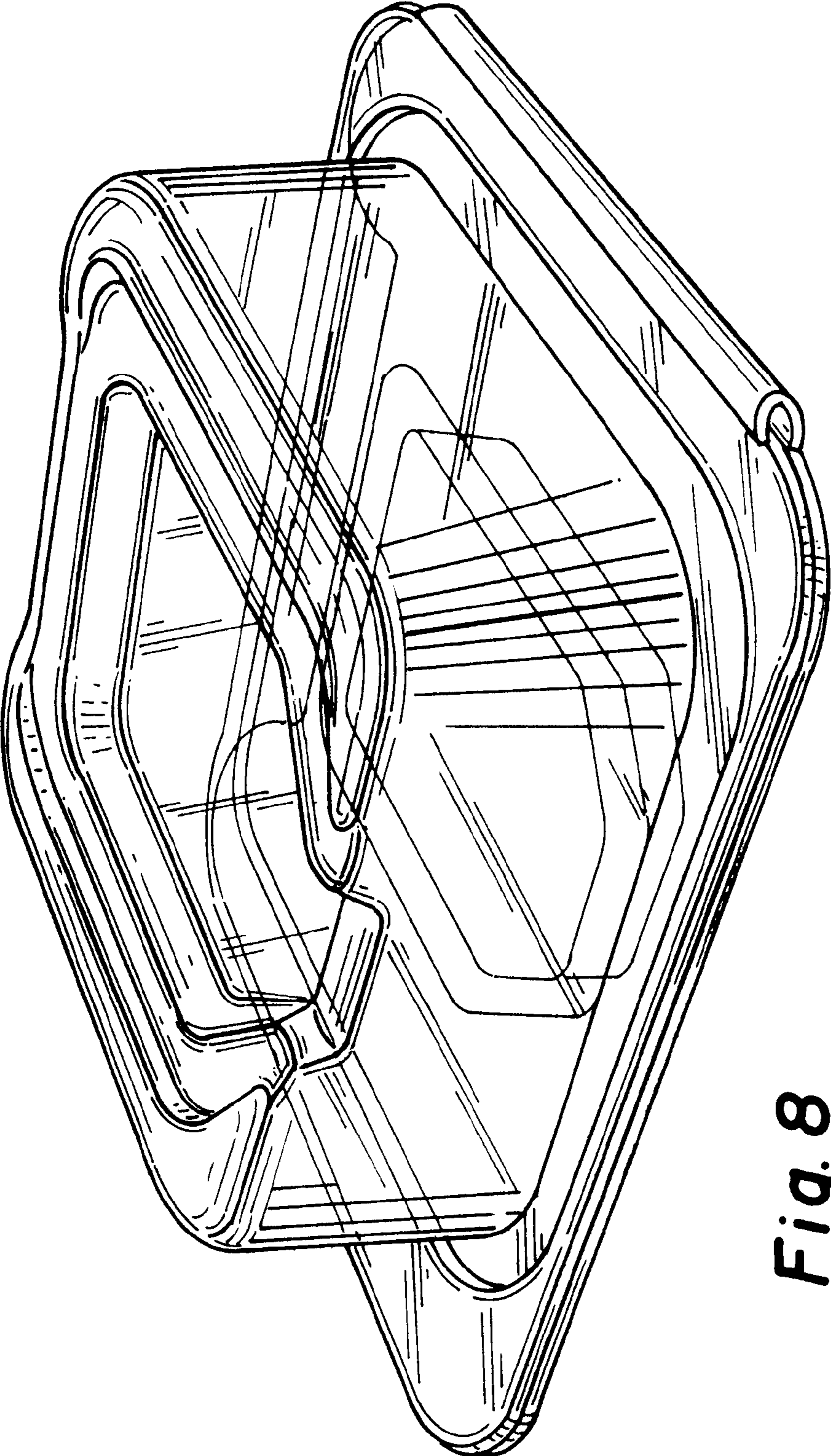


Fig. 8

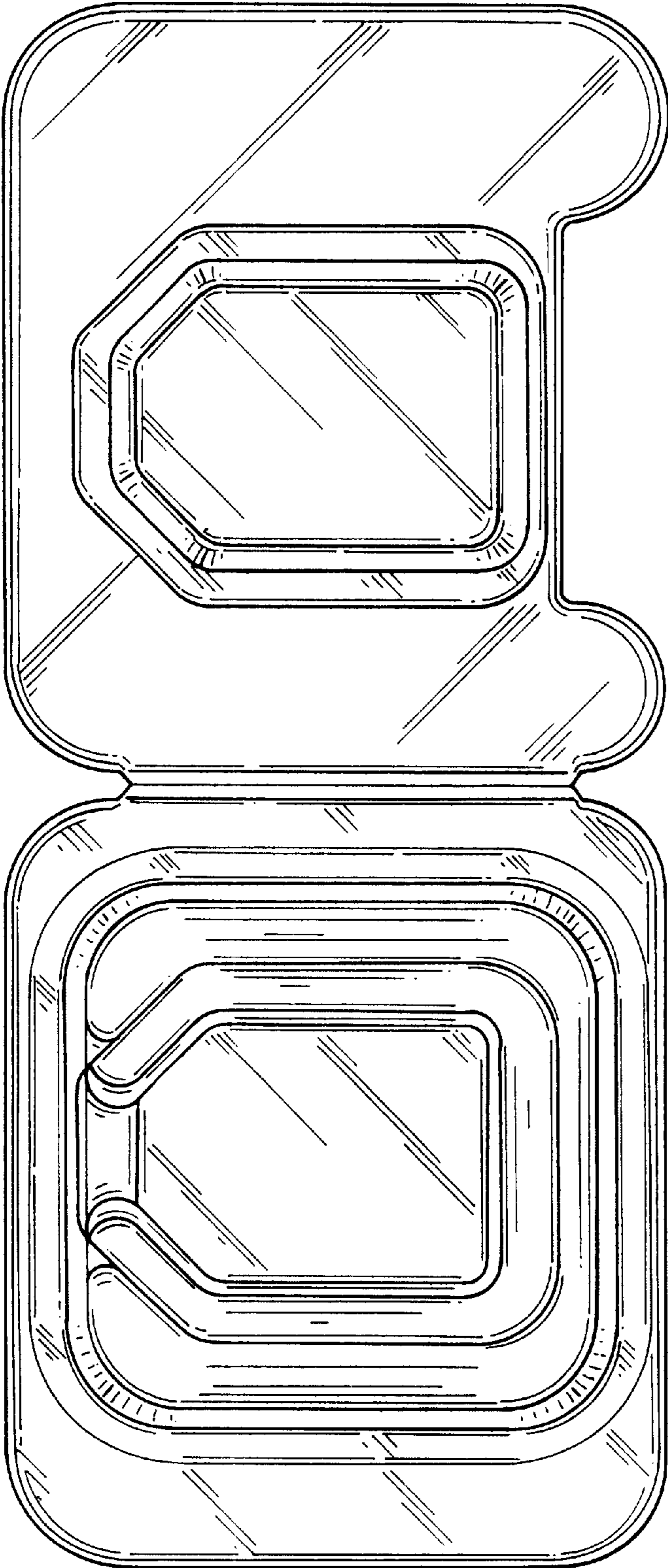


Fig. 9