



US00D514947S

(12) **United States Design Patent**
Darr et al.

(10) **Patent No.: US D514,947 S**
(45) **Date of Patent: ** Feb. 14, 2006**

(54) **CONTAINER**

(75) Inventors: **Richard C. Darr**, Medina, OH (US);
James C. Dorn, Norton, OH (US);
Richard A. Lovelace, Jr., Akron, OH (US)

(73) Assignee: **Plastipak Packaging, Inc.**, Plymouth, MI (US)

(**) Term: **14 Years**

(21) Appl. No.: **29/191,529**

(22) Filed: **Oct. 9, 2003**

(51) **LOC (8) Cl.** **09-01**

(52) **U.S. Cl.** **D9/550; D9/553**

(58) **Field of Classification Search** D9/500,
D9/502, 516, 538-541, 549-554, 557-558,
D9/560, 563-567, 570, 574-575, 636, 643,
D9/645, 655, 657-658, 661, 664; 215/382-384,
215/396, 398, 400

See application file for complete search history.

(56) **References Cited**

U.S. PATENT DOCUMENTS

D67,463 S * 6/1925 Johnson D9/557
D99,819 S * 5/1936 McLaughlin D9/563

D104,179 S * 4/1937 Berk D9/527
2,635,604 A * 4/1953 Fredrickson 215/399 X
D244,427 S * 5/1977 Schieser et al. D9/550
D264,942 S * 6/1982 Schieser et al. D9/563
D280,709 S * 9/1985 Waring D9/520
D291,658 S * 9/1987 Klette et al. D9/504
D327,219 S * 6/1992 Hestehave et al. D9/553 X
D430,038 S * 8/2000 Young et al. D9/549

* cited by examiner

Primary Examiner—Carol Rademaker

(74) *Attorney, Agent, or Firm*—Robert H. Bachman

(57) **CLAIM**

The ornamental design for a container, as shown and described.

DESCRIPTION

FIG. 1 is a perspective view of the container of the present invention showing the front and right side thereof.

FIG. 2 is a right side elevation view thereof.

FIG. 3 is a front elevational view thereof.

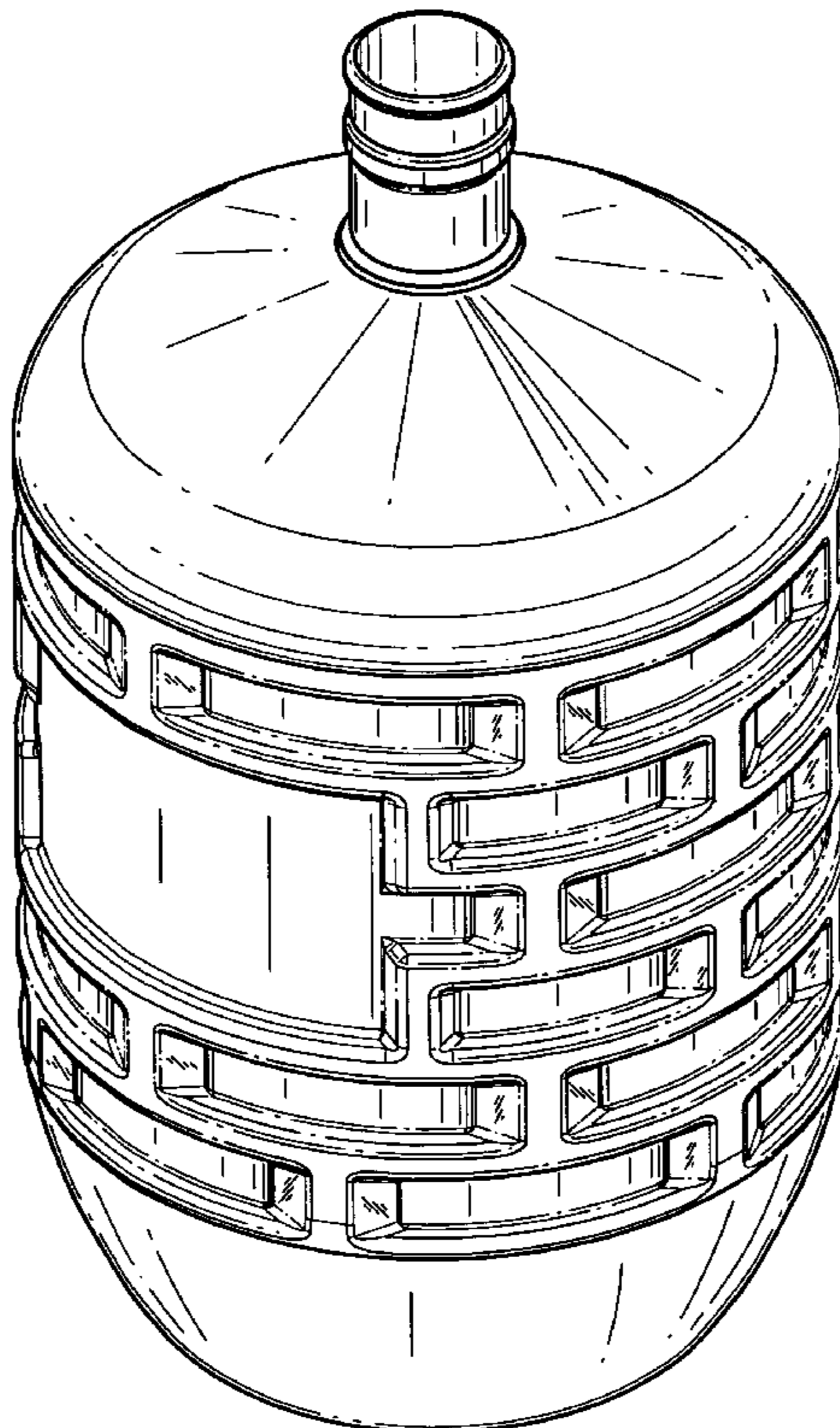
FIG. 4 is a rear elevational view thereof.

FIG. 5 is a top plan view thereof; and,

FIG. 6 is a bottom plan view thereof.

The broken lines shown in FIG. 6 are for environmental purposes only and form no part of the claimed design.

1 Claim, 3 Drawing Sheets



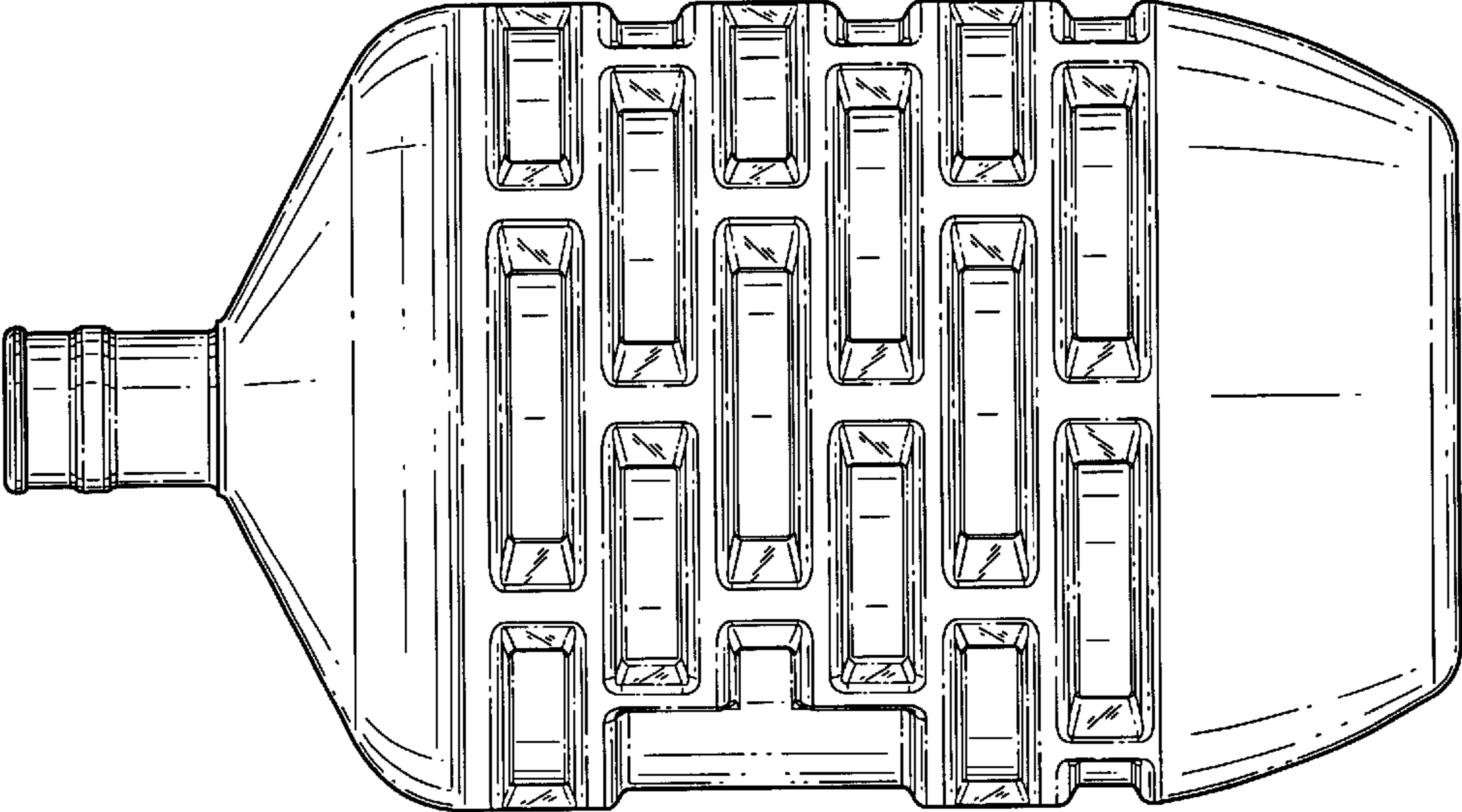


FIG. 2

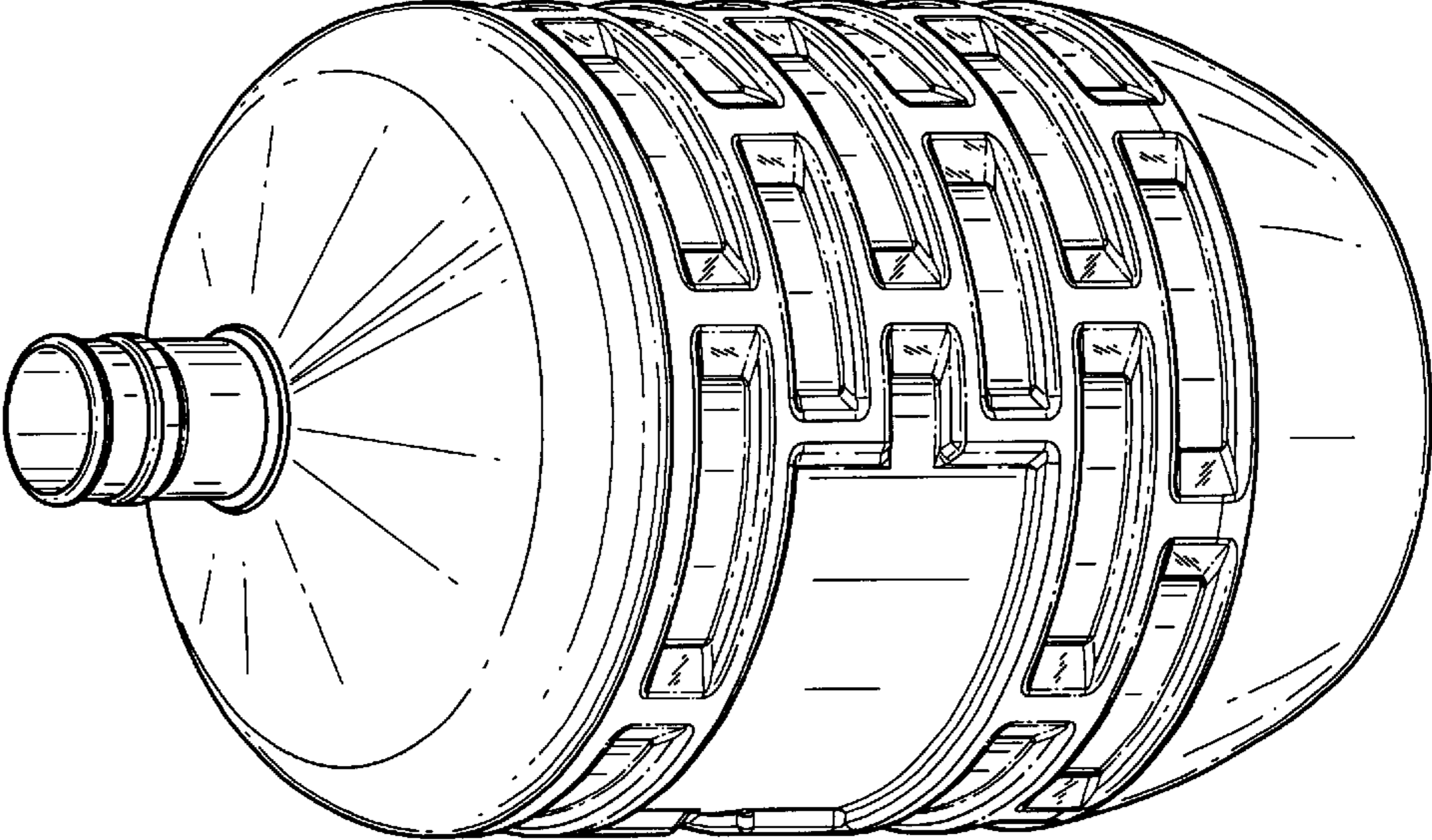


FIG. 1

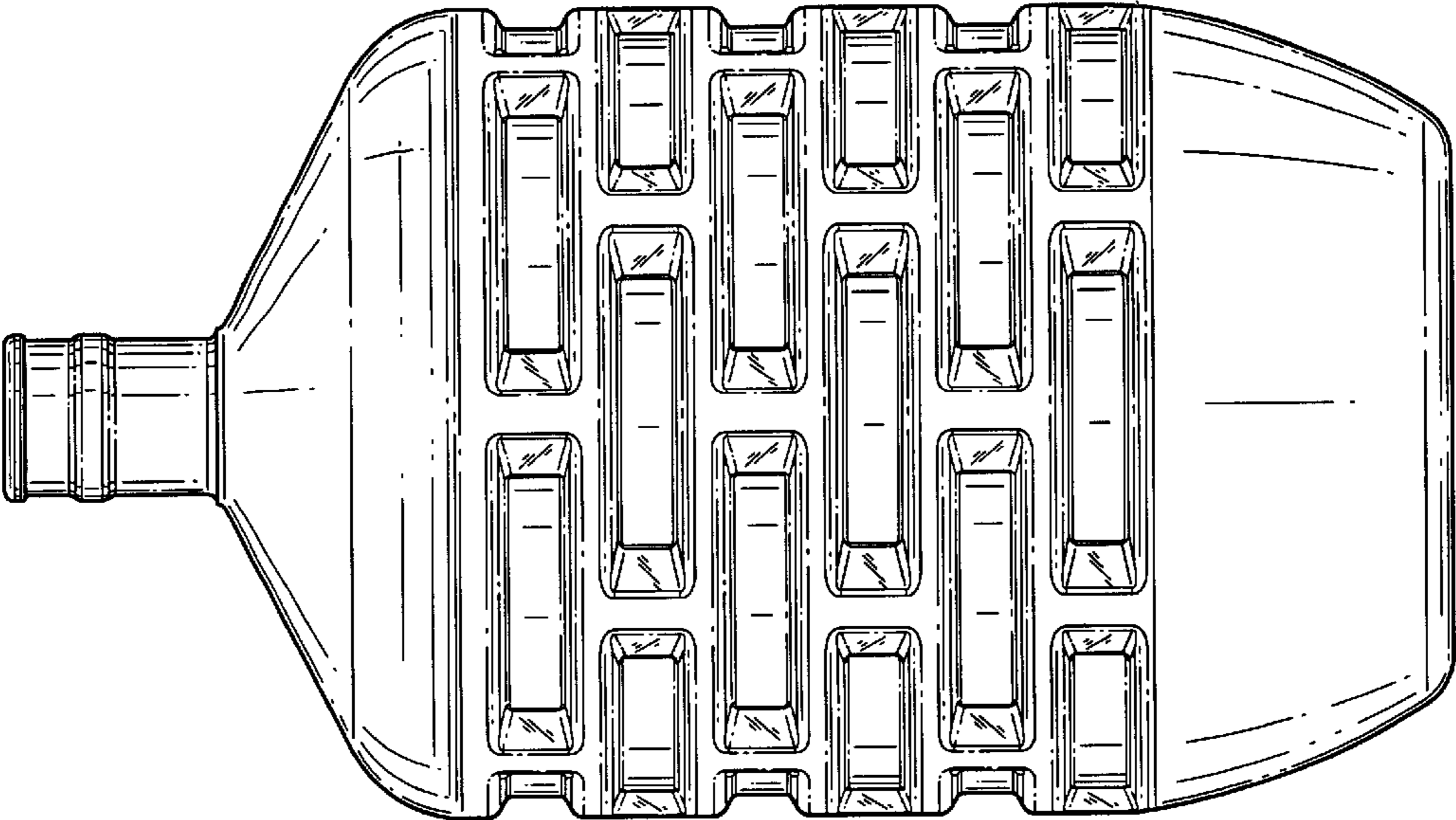


FIG. 4

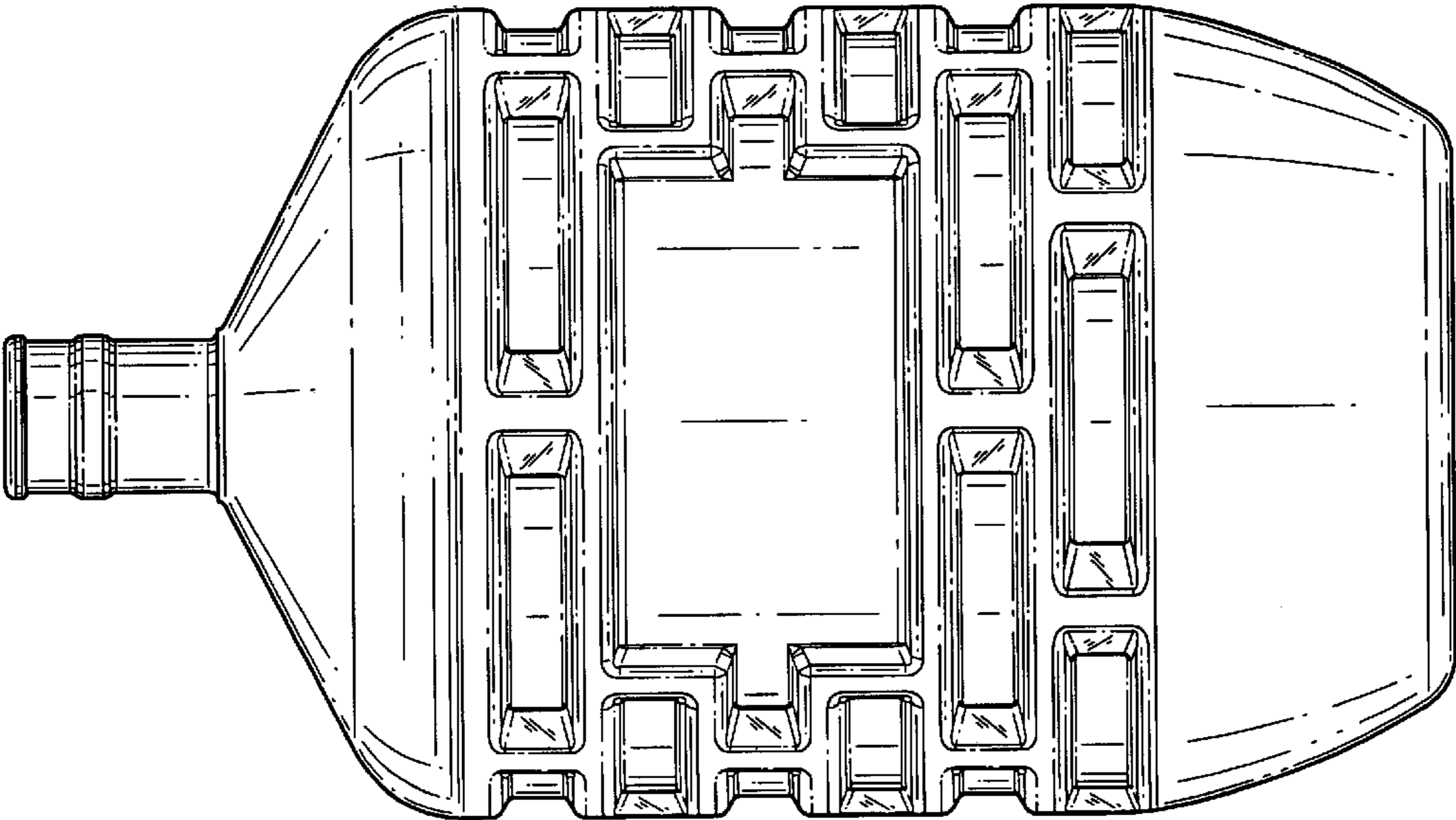


FIG. 3

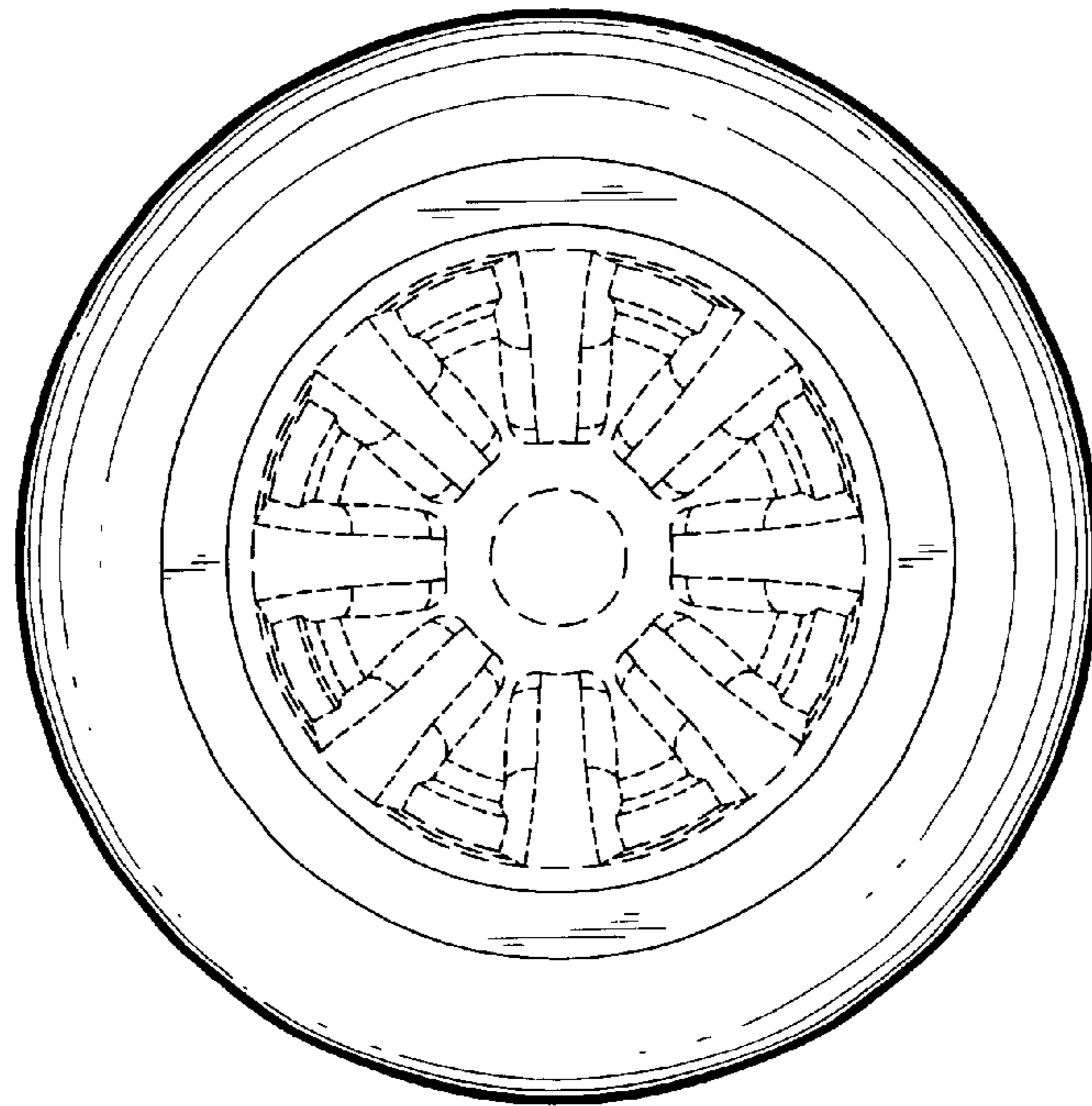


FIG. 6

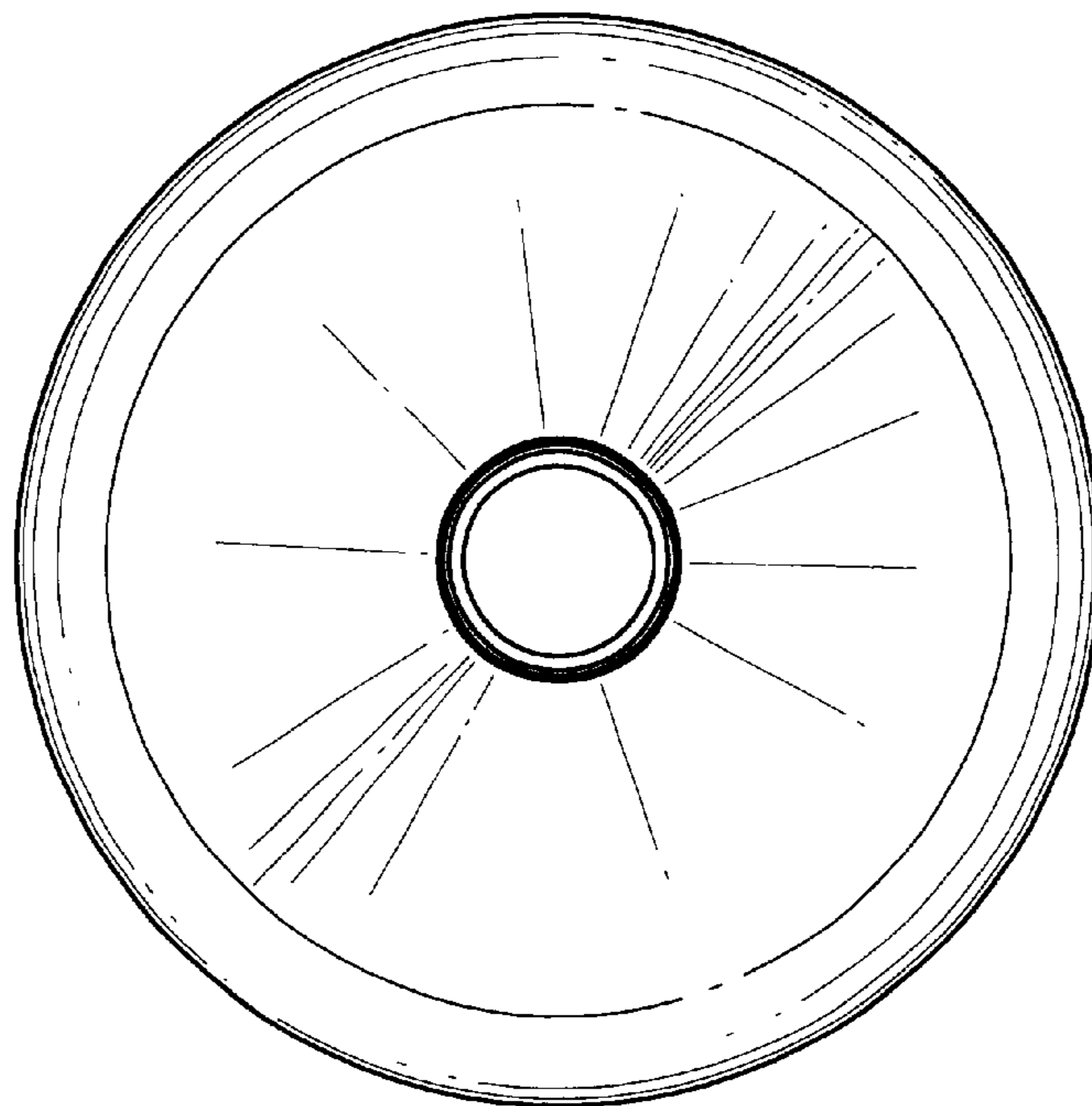


FIG. 5