



US00D514943S

(12) **United States Design Patent**
Weber

(10) **Patent No.:** **US D514,943 S**

(45) **Date of Patent:** **** Feb. 14, 2006**

(54) **BOTTLE**

(76) **Inventor:** **Heinz Weber**, 64, Gables Court,
Beaconsfield, QC (CA), H9W 5H4

(**) **Term:** **14 Years**

(21) **Appl. No.:** **29/196,539**

(22) **Filed:** **Dec. 29, 2003**

(51) **LOC (8) Cl.** **09-01**

(52) **U.S. Cl.** **D9/529; D9/539**

(58) **Field of Classification Search** D9/723-729,
D9/500, 504, 516, 529-530, 537, 539-543,
D9/549, 558, 571-575, 454; 215/382-384,
215/396, 398, 400; 220/660, 662, 669, 675;
D28/7, 76; 401/208, 213

See application file for complete search history.

(56) **References Cited**

U.S. PATENT DOCUMENTS

1,977,641 A	*	10/1934	Loeber	220/212.5
D220,560 S	*	4/1971	Johnson	D9/504
D255,989 S	*	7/1980	Lipsz	D9/504
D267,779 S	*	2/1983	Roth	D9/434
D268,897 S	*	5/1983	du Cret	D9/504
D274,222 S	*	6/1984	Markis	D9/504
D317,118 S	*	5/1991	Crawford	D9/726

5,051,016 A	*	9/1991	Bengston	401/213
5,158,385 A	*	10/1992	Fattori	401/213
D346,112 S	*	4/1994	Alcindor	D9/726
D353,100 S	*	12/1994	Mandel	D9/542
D381,042 S	*	7/1997	Roche	D9/500 X
D482,617 S	*	11/2003	Weber	D9/529
D489,269 S	*	5/2004	Weber	D9/529
D489,622 S	*	5/2004	Weber	D9/529
D489,623 S	*	5/2004	Weber	D9/529

* cited by examiner

Primary Examiner—Carol Rademaker

(74) *Attorney, Agent, or Firm*—Eric Fincham

(57) **CLAIM**

The ornamental design for a bottle, as shown and described.

DESCRIPTION

FIG. 1 is a perspective view of the bottle of the design;

FIG. 2 is a front elevational view thereof;

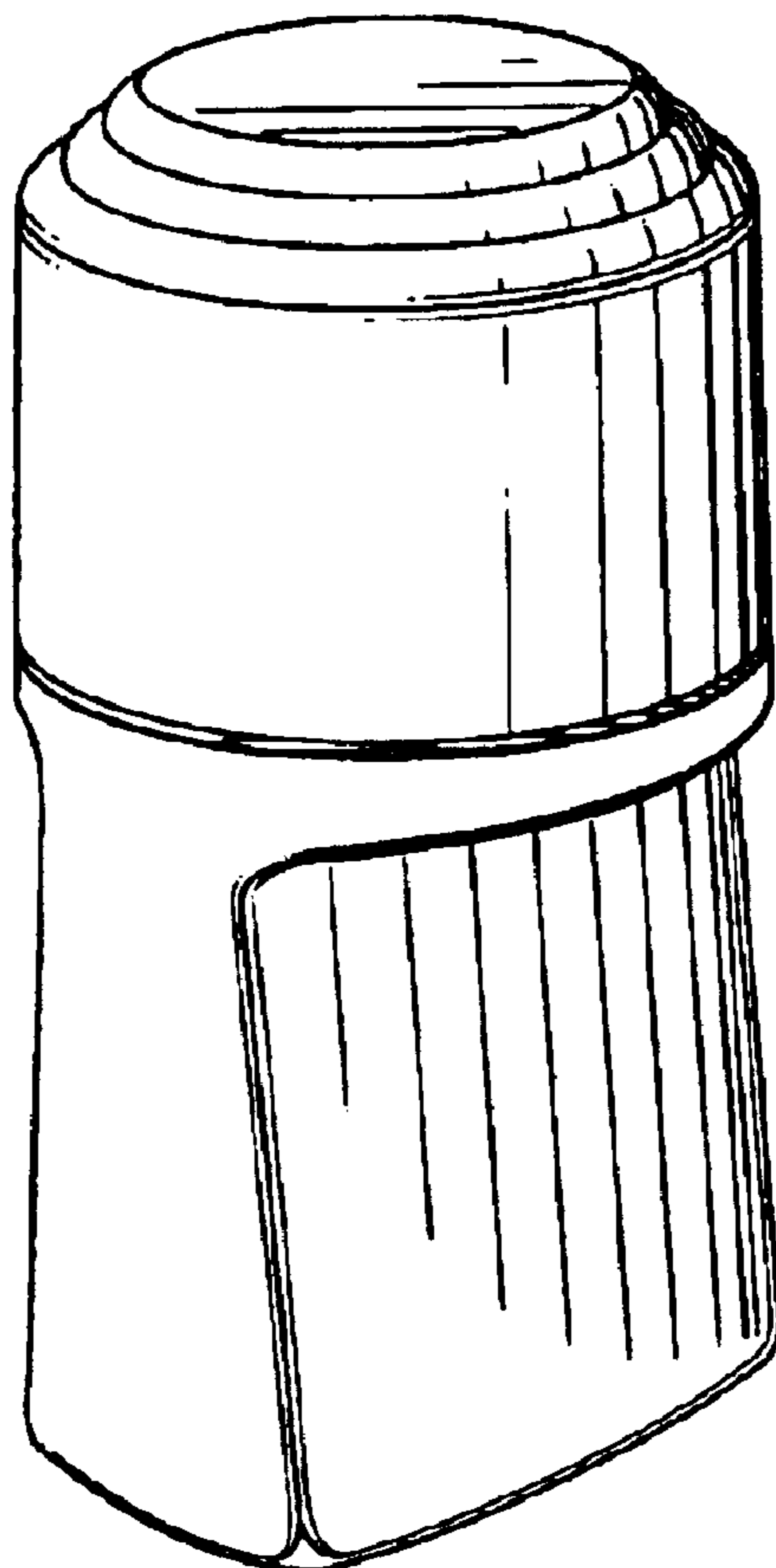
FIG. 3 is a side elevational view as seen from the right hand side of FIG. 1;

FIG. 4 is a top plan view thereof;

FIG. 5 is a rear elevational view thereof; and,

FIG. 6 is a side elevational view as seen from the left hand side of FIG. 1.

1 Claim, 3 Drawing Sheets



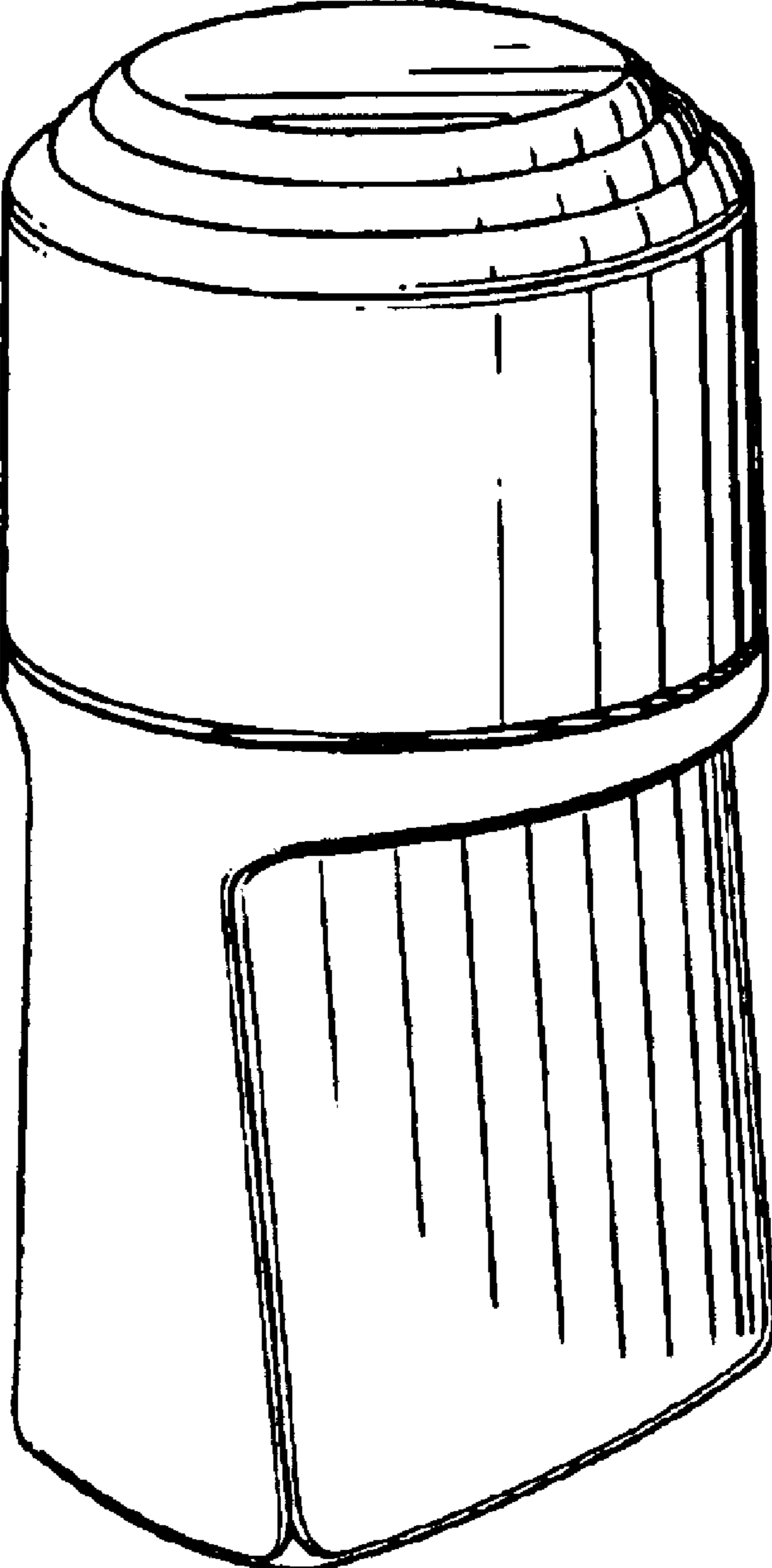


Fig-1

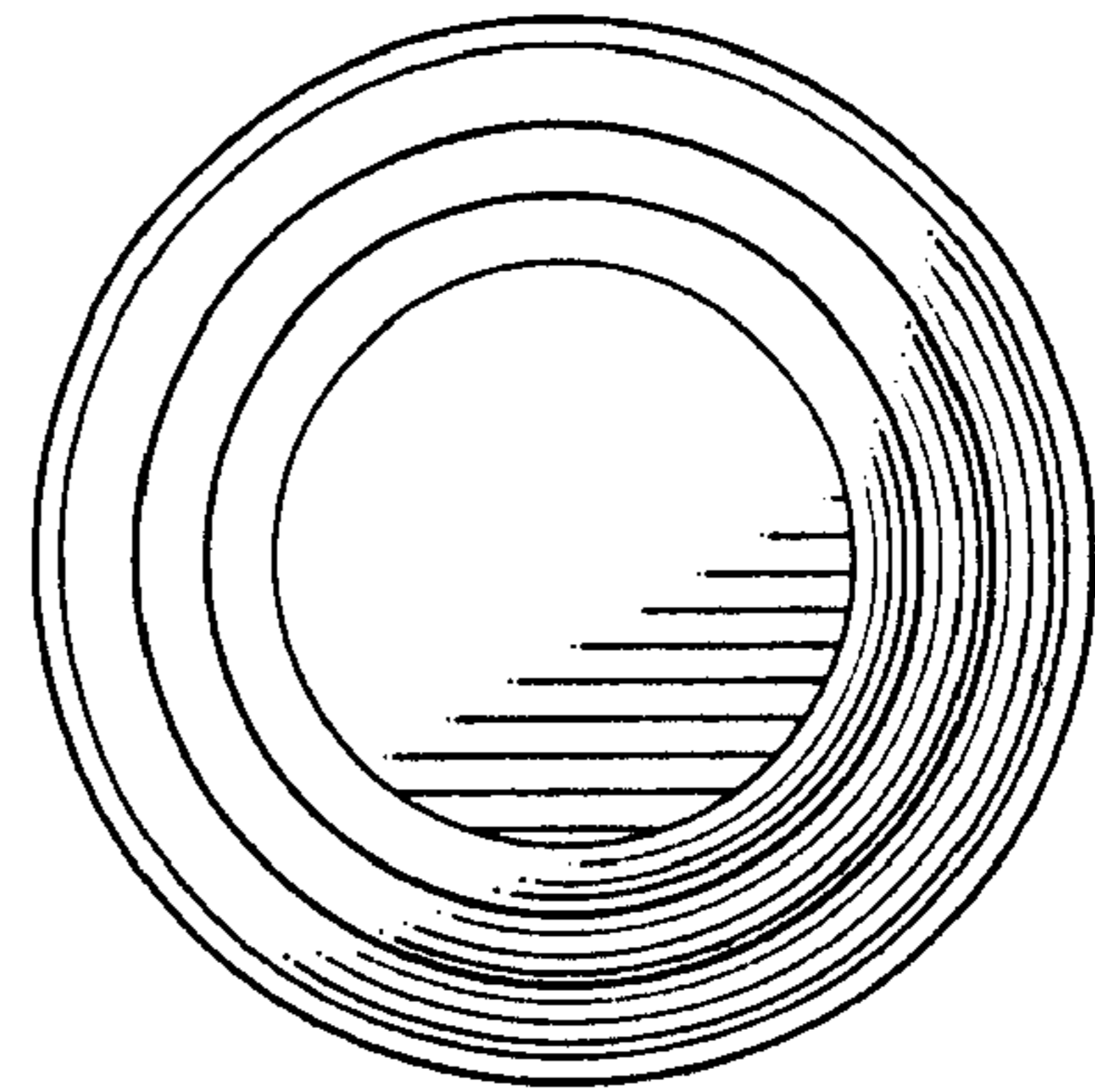


Fig-4

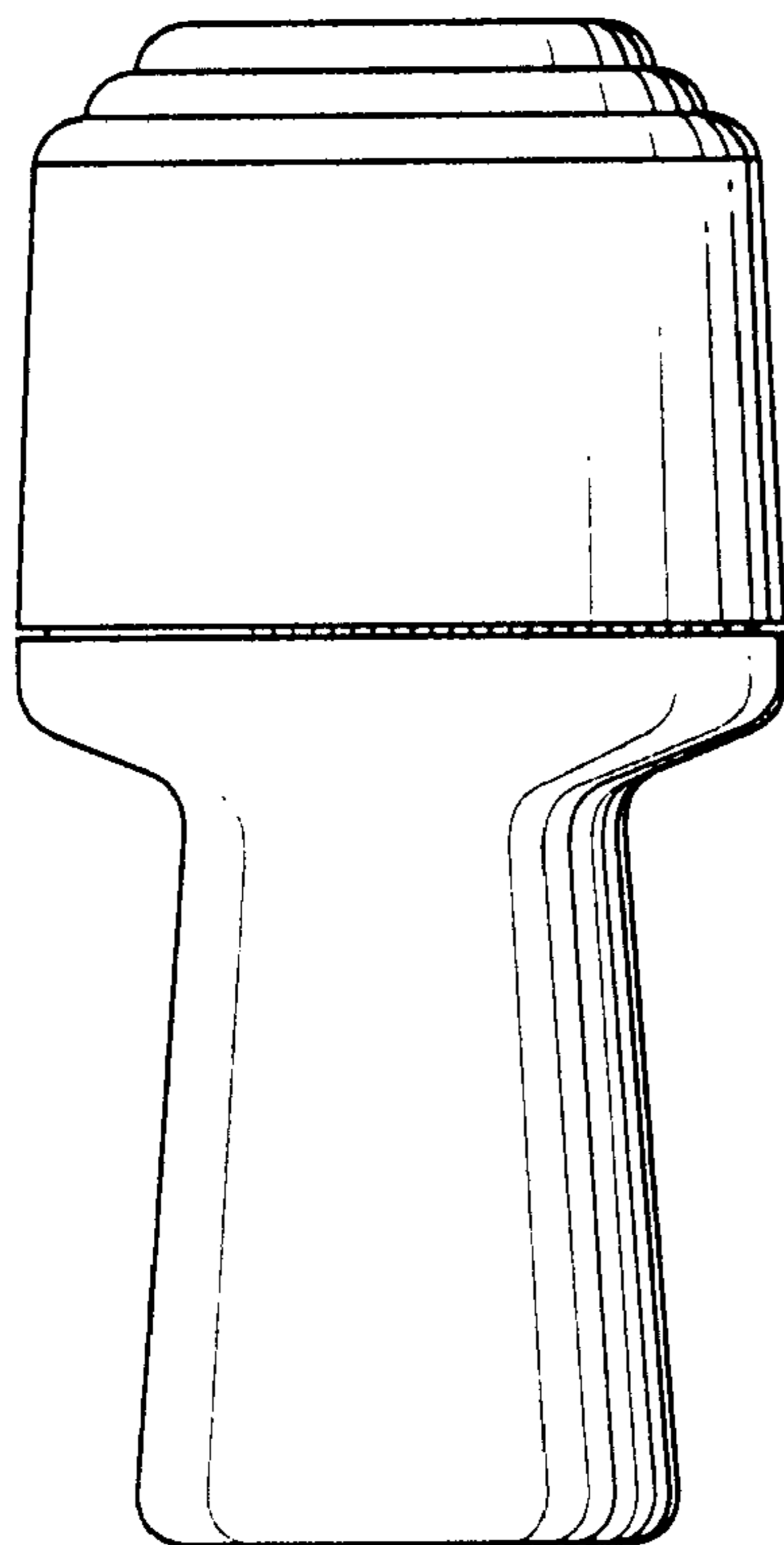


Fig-3

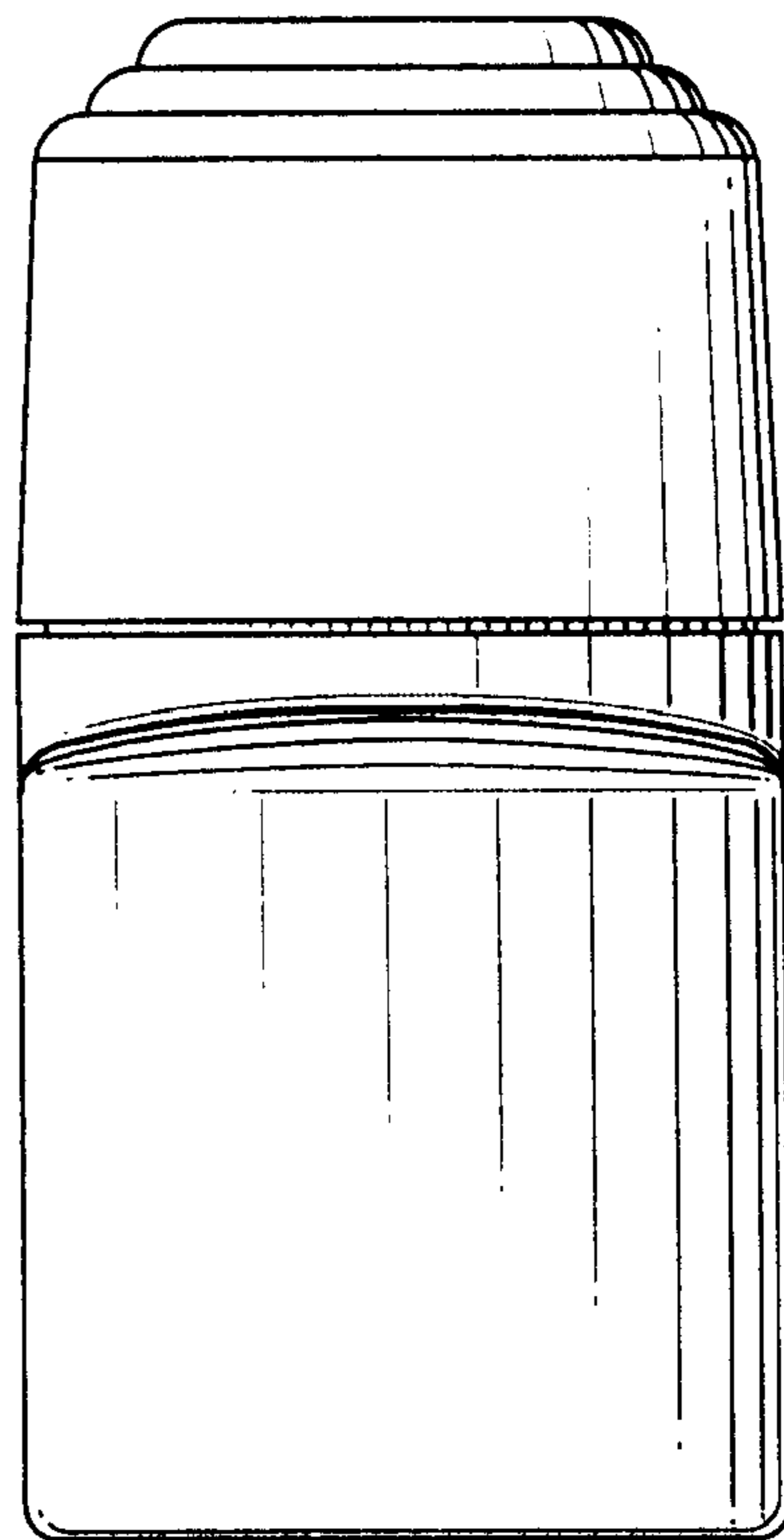


Fig-2

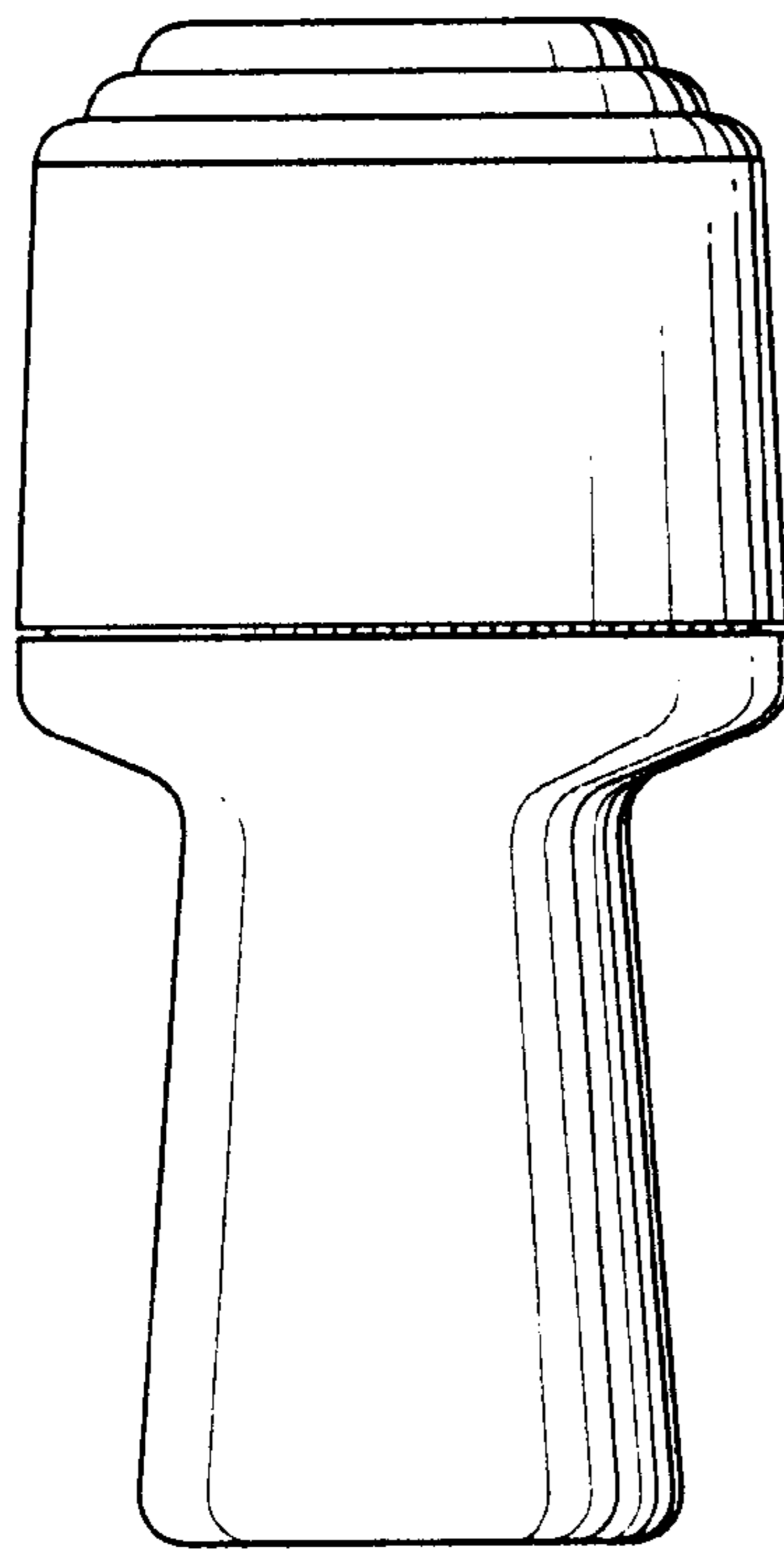


Fig-6

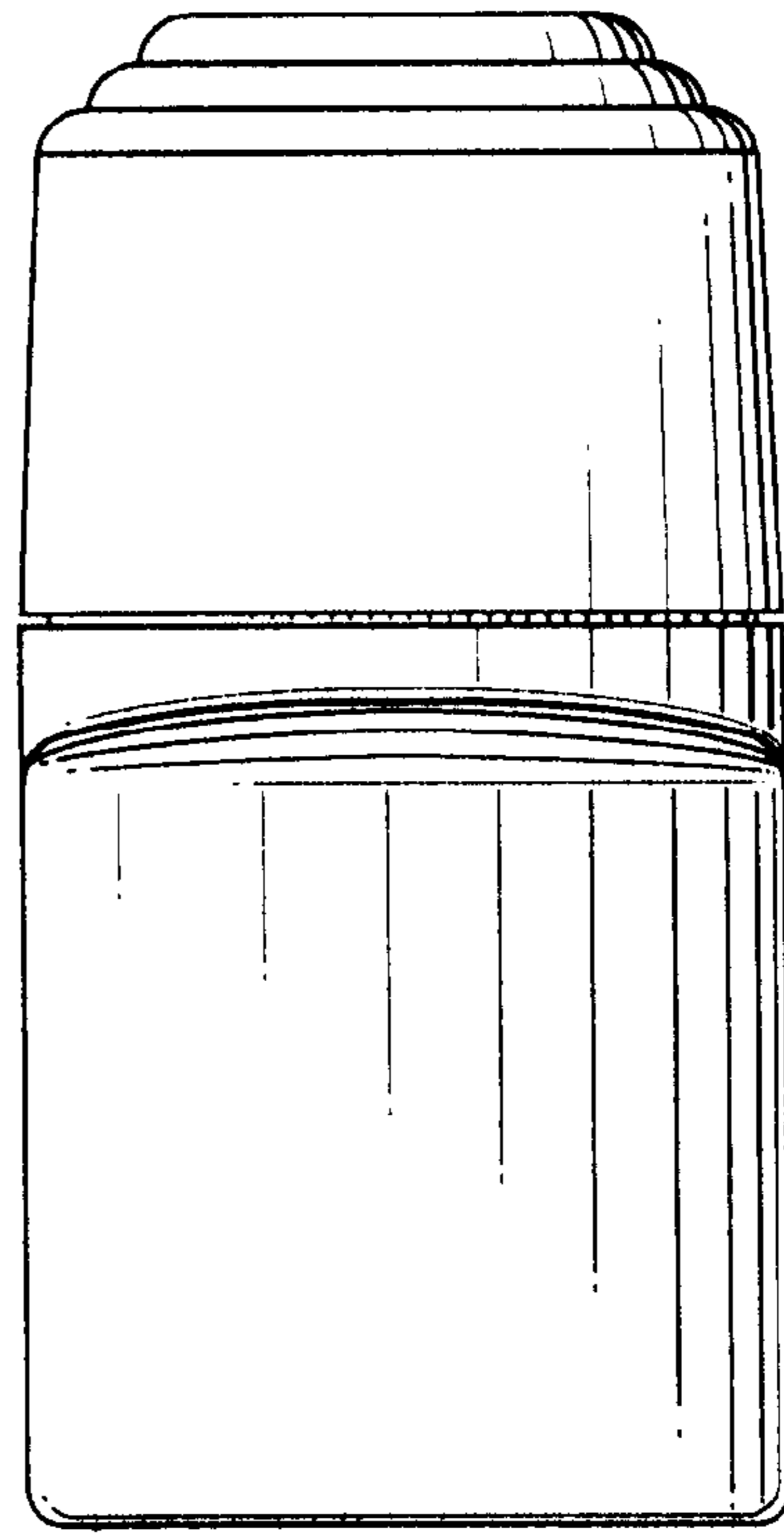


Fig-5