



US00D514940S

(12) **United States Design Patent**  
**Darr et al.**

(10) **Patent No.: US D514,940 S**

(45) **Date of Patent: \*\* Feb. 14, 2006**

(54) **CONTAINER**

(75) Inventors: **Richard C. Darr**, Medina, OH (US);  
**James C. Dorn**, Norton, OH (US);  
**Richard A. Lovelace, Jr.**, Akron, OH (US)

(73) Assignee: **Plastipak Packaging, Inc.**, Plymouth, MI (US)

(\*\*) Term: **14 Years**

(21) Appl. No.: **29/218,896**

(22) Filed: **Dec. 9, 2004**

**Related U.S. Application Data**

(63) Continuation-in-part of application No. 10/922,078, filed on Aug. 19, 2004.

(51) **LOC (8) Cl.** ..... **09-01**

(52) **U.S. Cl.** ..... **D9/527; D9/528; D9/523**

(58) **Field of Classification Search** ..... D9/516,  
D9/520, 523-529, 531-533, 543, 575; 215/1 A,  
215/1 C, 1 R, 370-375, 382-385, 396-398;  
220/770-772; 206/527, 822; 222/372, 475,  
222/538, 568; D23/202

See application file for complete search history.

(56) **References Cited**

**U.S. PATENT DOCUMENTS**

D205,166 S \* 6/1966 Price ..... D9/527  
D358,330 S \* 5/1995 Kahl ..... D9/520

D358,548 S \* 5/1995 Platte ..... D9/527  
D451,397 S \* 12/2001 Gerhart et al. .... D9/531  
D461,131 S \* 8/2002 Leray et al. .... D9/524  
D475,297 S \* 6/2003 Drabek et al. .... D9/524  
D485,189 S \* 1/2004 Montalbano et al. .... D9/528  
D493,109 S \* 7/2004 Miller ..... D9/528

\* cited by examiner

*Primary Examiner*—Nanda Bondade

*Assistant Examiner*—Shanda C. Hill

(74) *Attorney, Agent, or Firm*—Robert H. Bachman

(57) **CLAIM**

The ornamental design for a container, as shown and described.

**DESCRIPTION**

FIG. 1 is an upper, rear, left perspective view of a container showing our new design;

FIG. 2 is left side elevational view thereof;

FIG. 3 is rear elevational view thereof;

FIG. 4 is front elevational view thereof;

FIG. 5 is top plan view thereof;

FIG. 6 is bottom plan view thereof;

FIG. 7 is an upper, rear, left perspective view of an alternate embodiment of FIG. 1;

FIG. 8 is an upper, front, left perspective view thereof;

FIG. 9 is left side elevational view thereof;

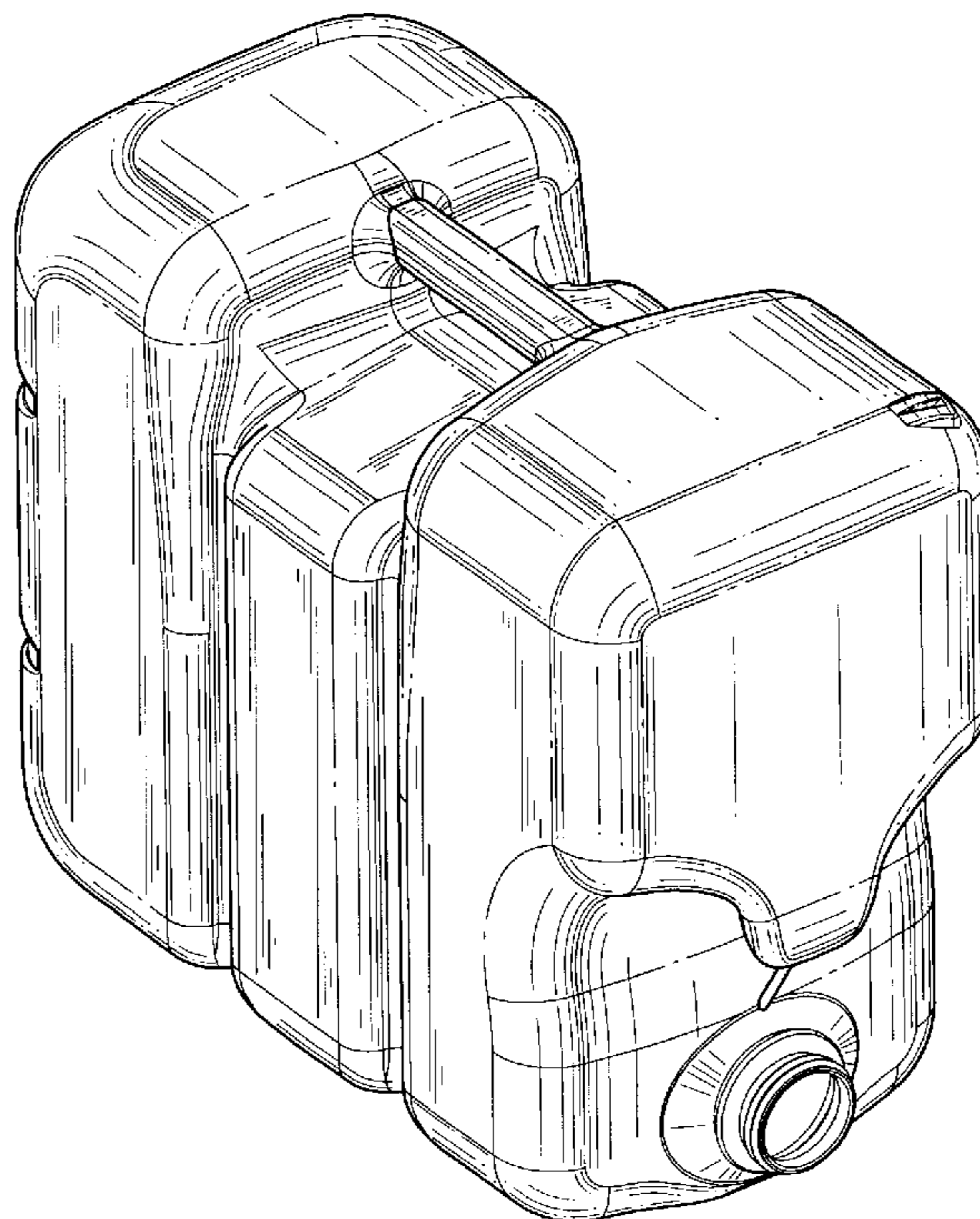
FIG. 10 is rear elevational view thereof;

FIG. 11 is front elevational view thereof;

FIG. 12 is top plan view thereof; and,

FIG. 13 is bottom plan view thereof.

**1 Claim, 7 Drawing Sheets**



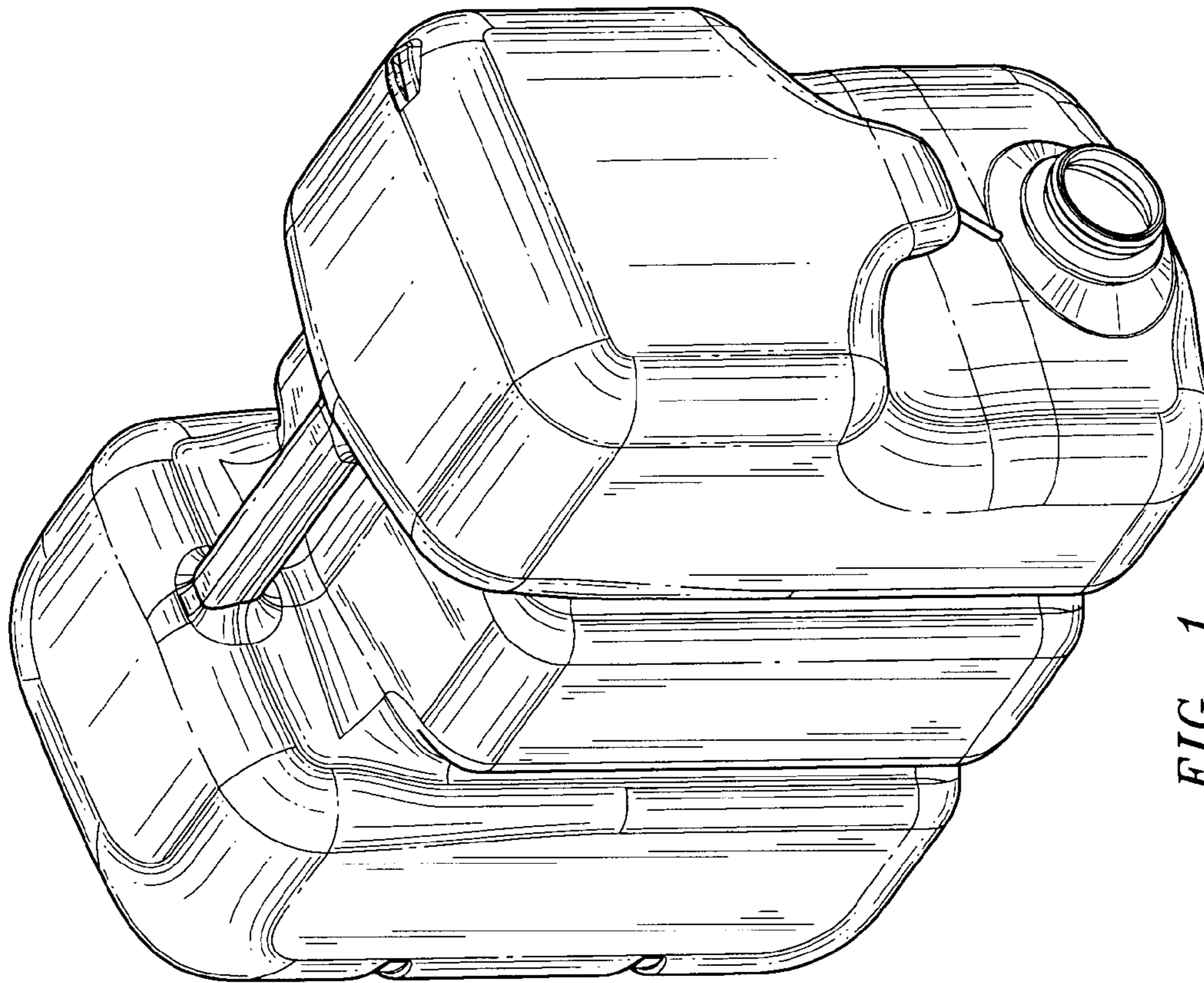


FIG. 1

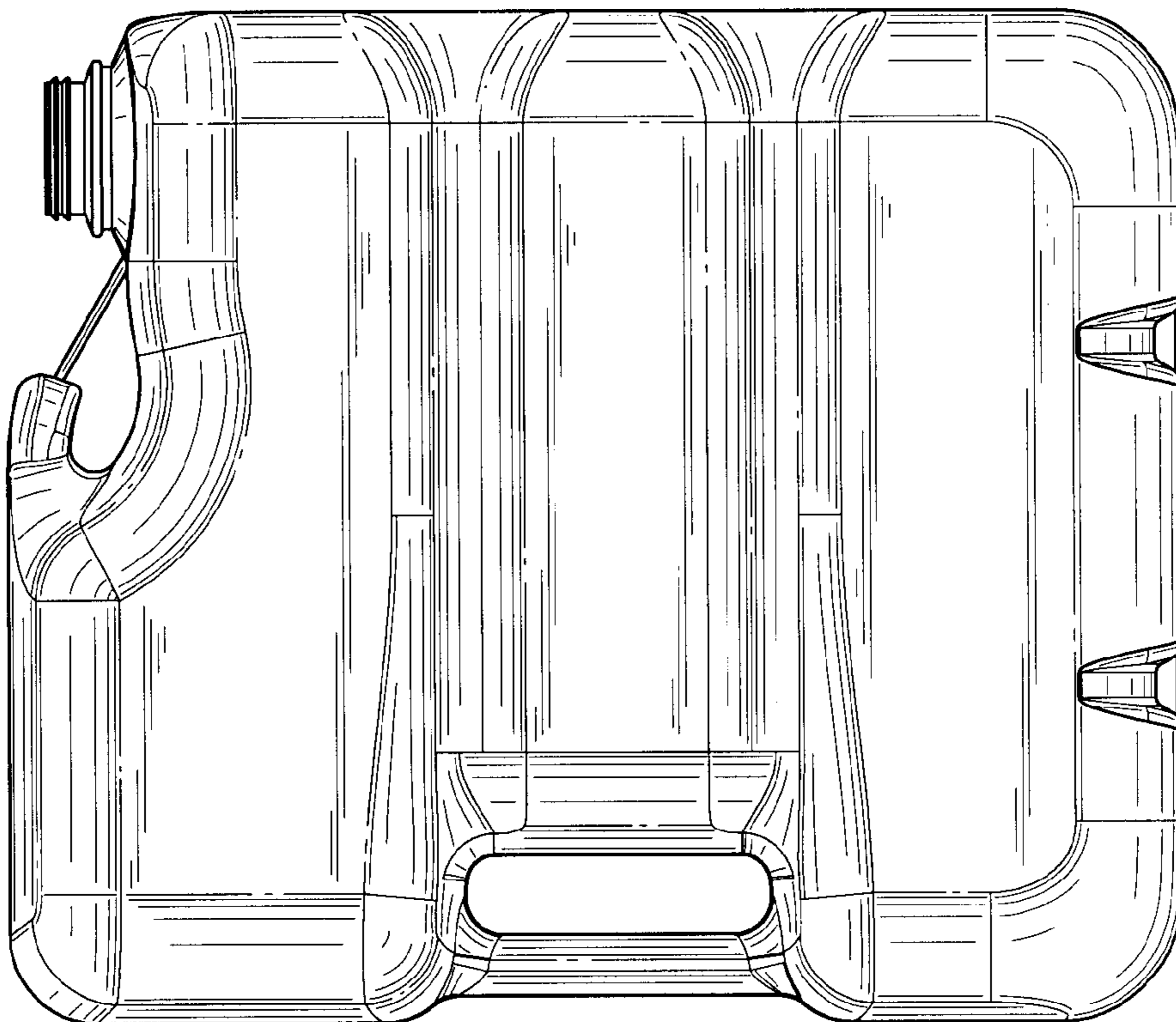


FIG. 2

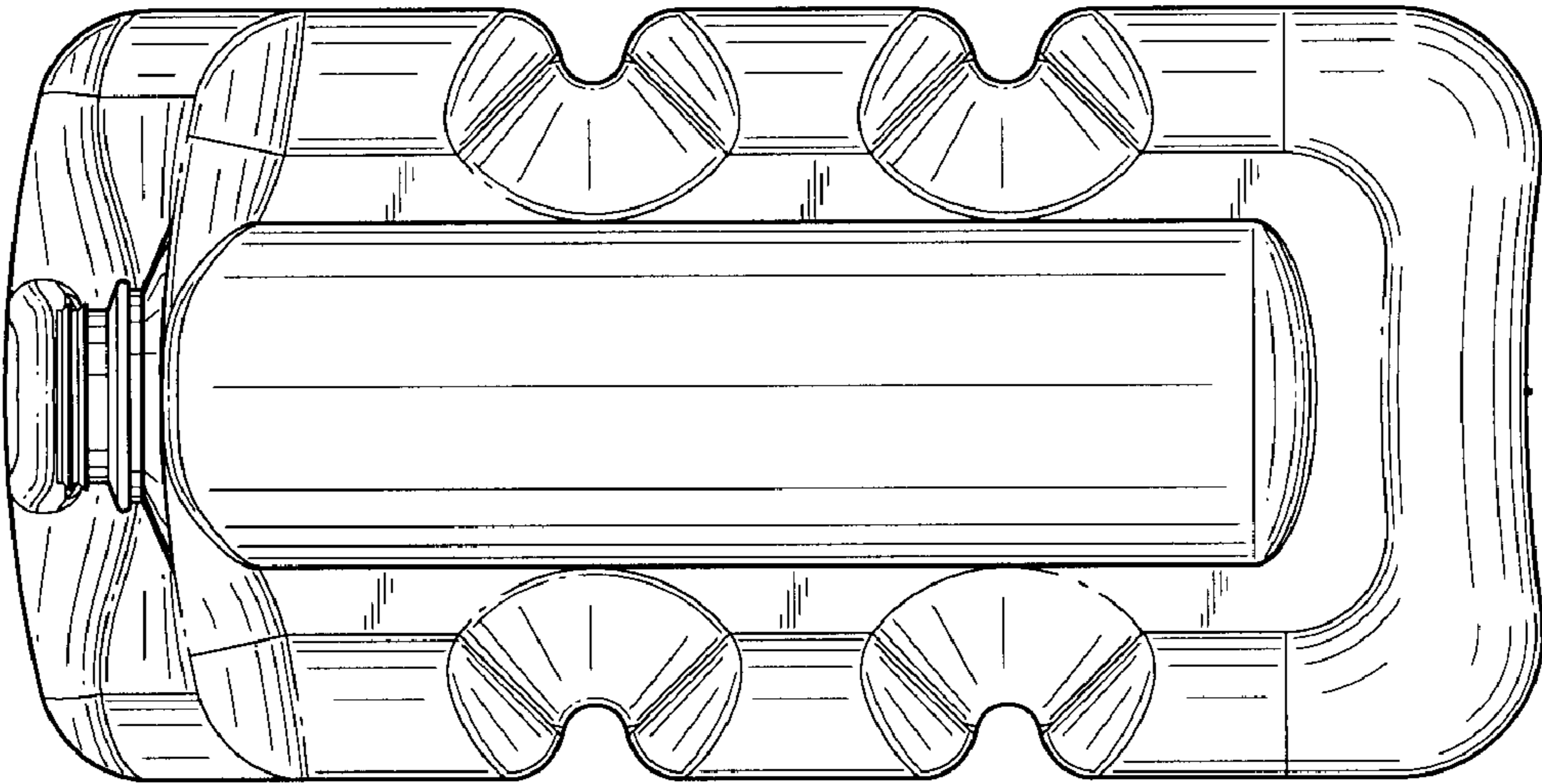


FIG. 4

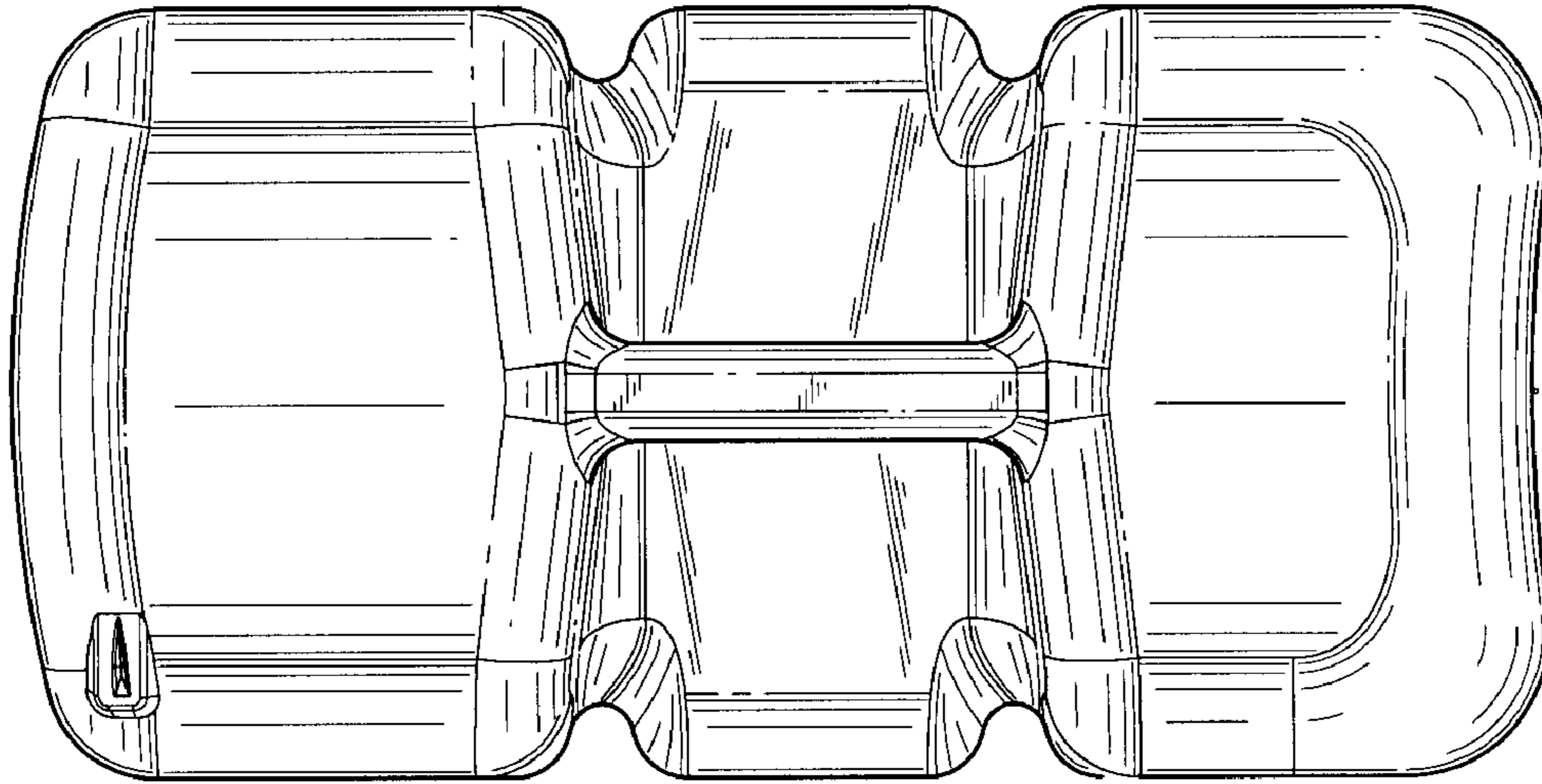


FIG. 3

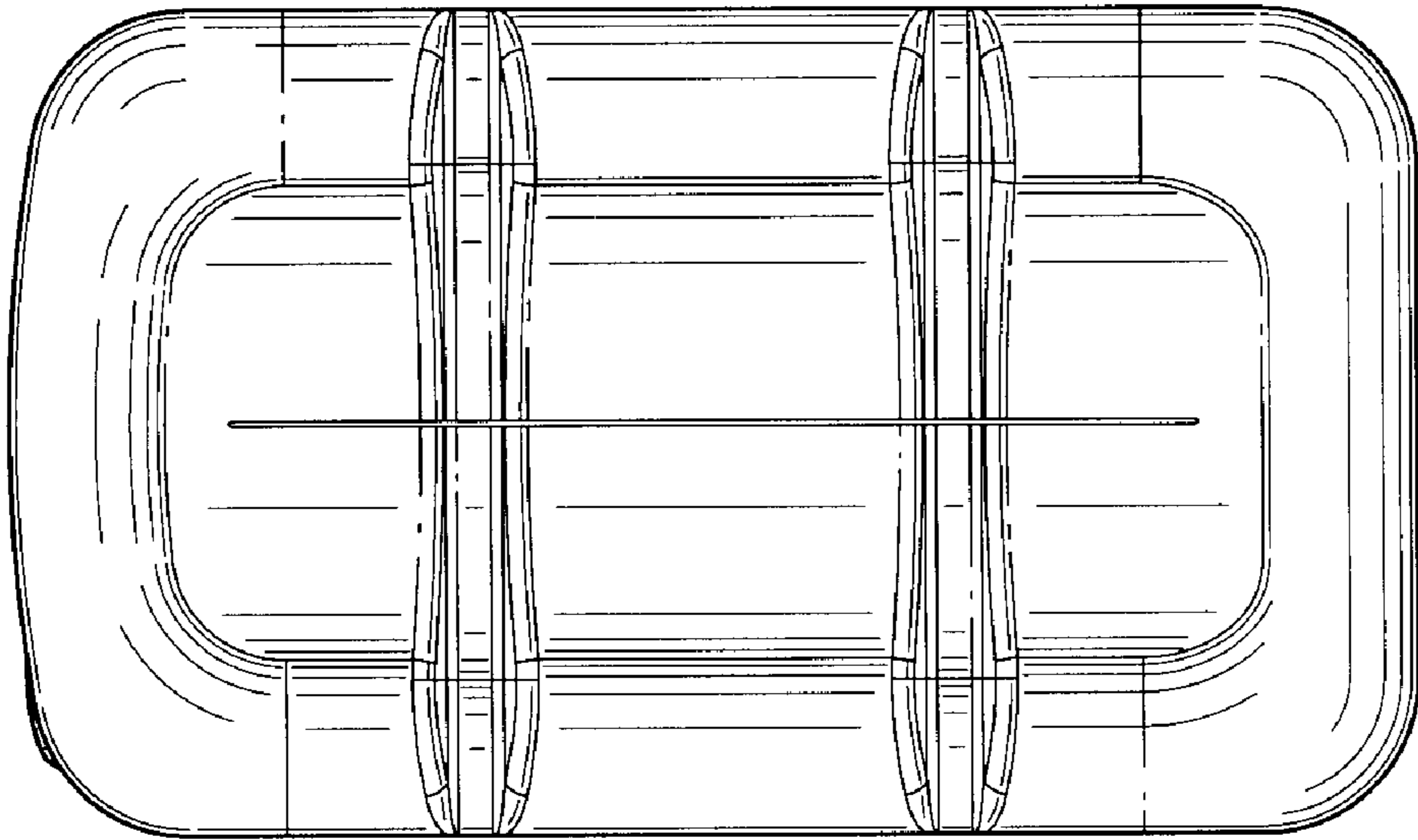


FIG. 6

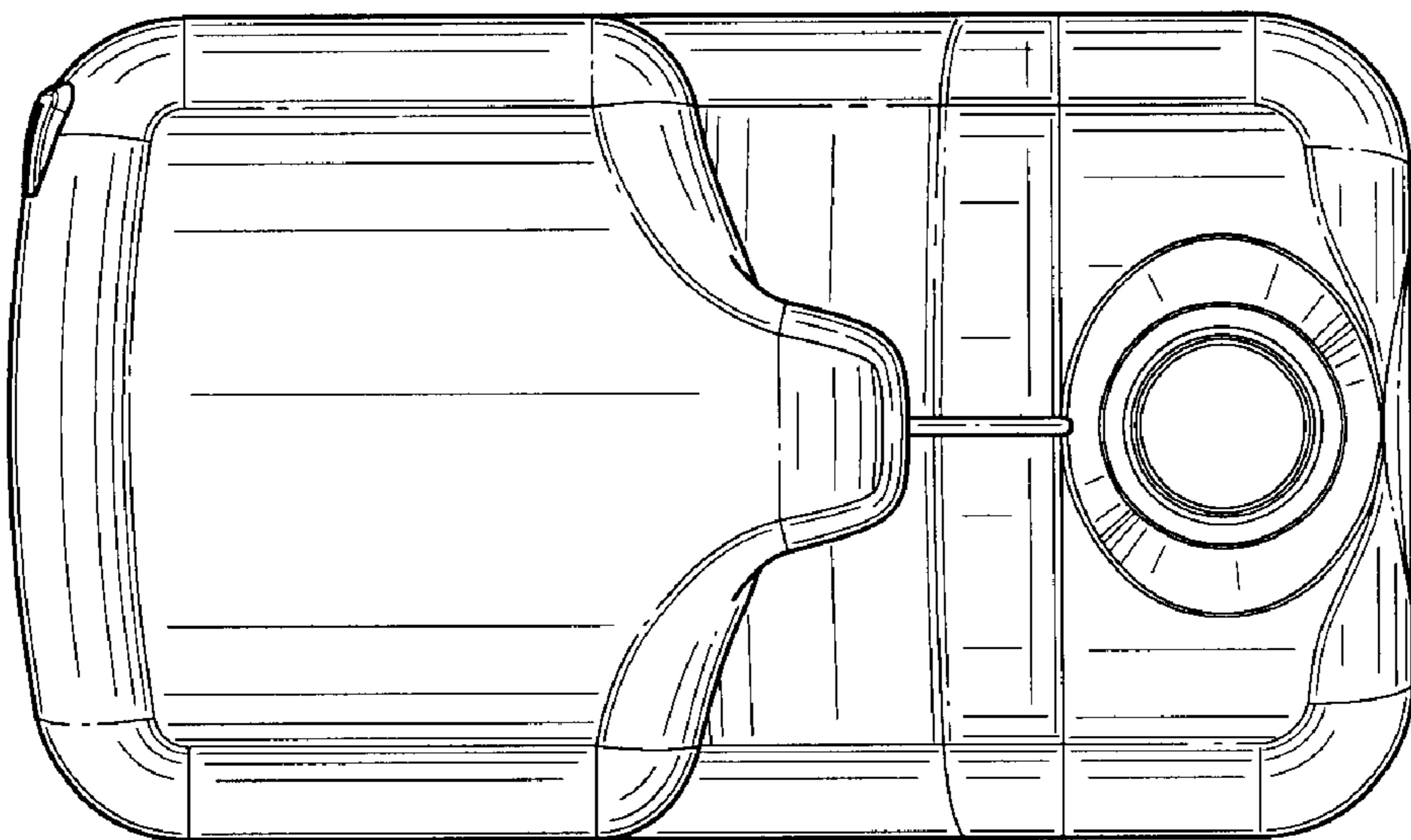


FIG. 5

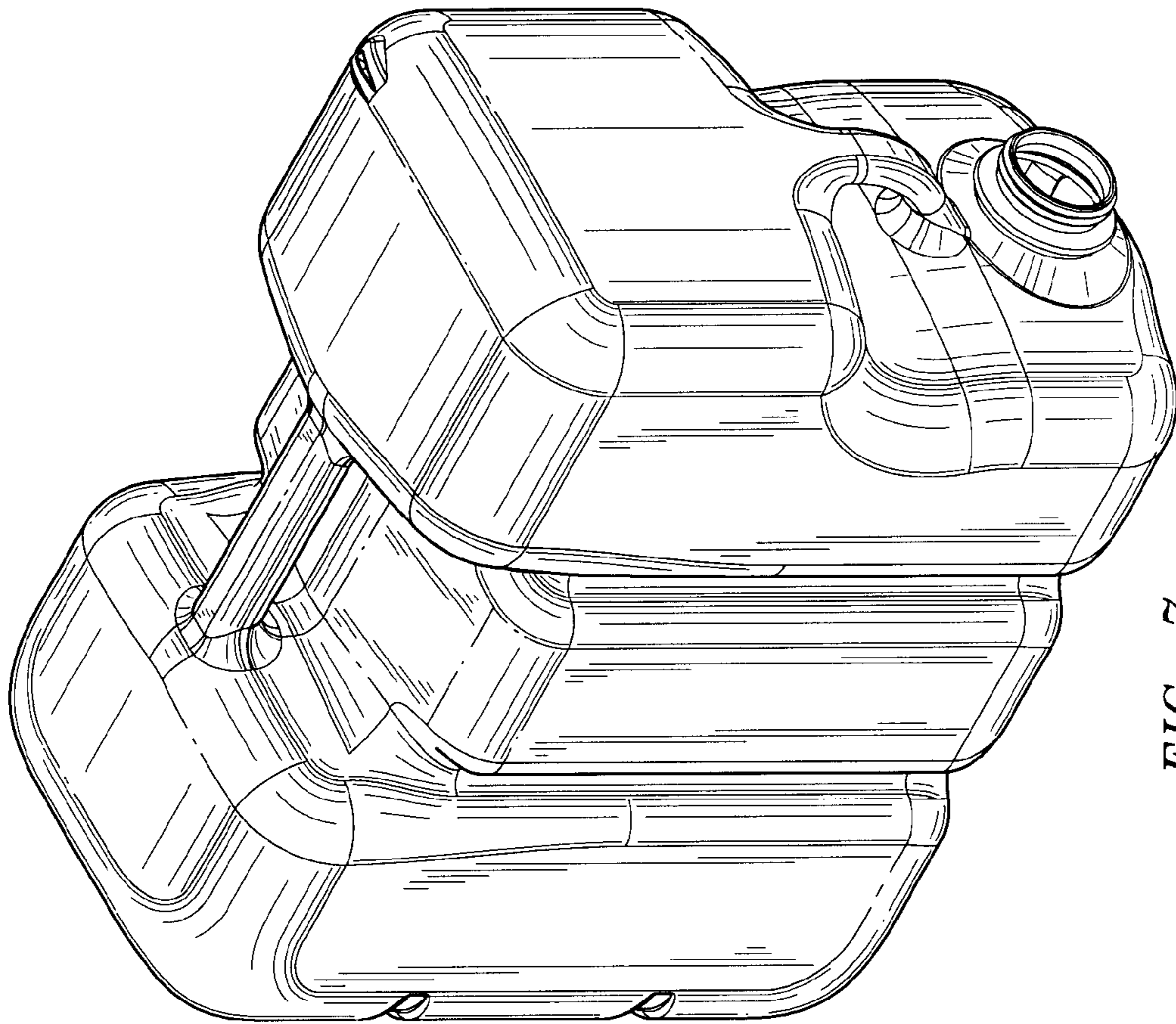


FIG. 7

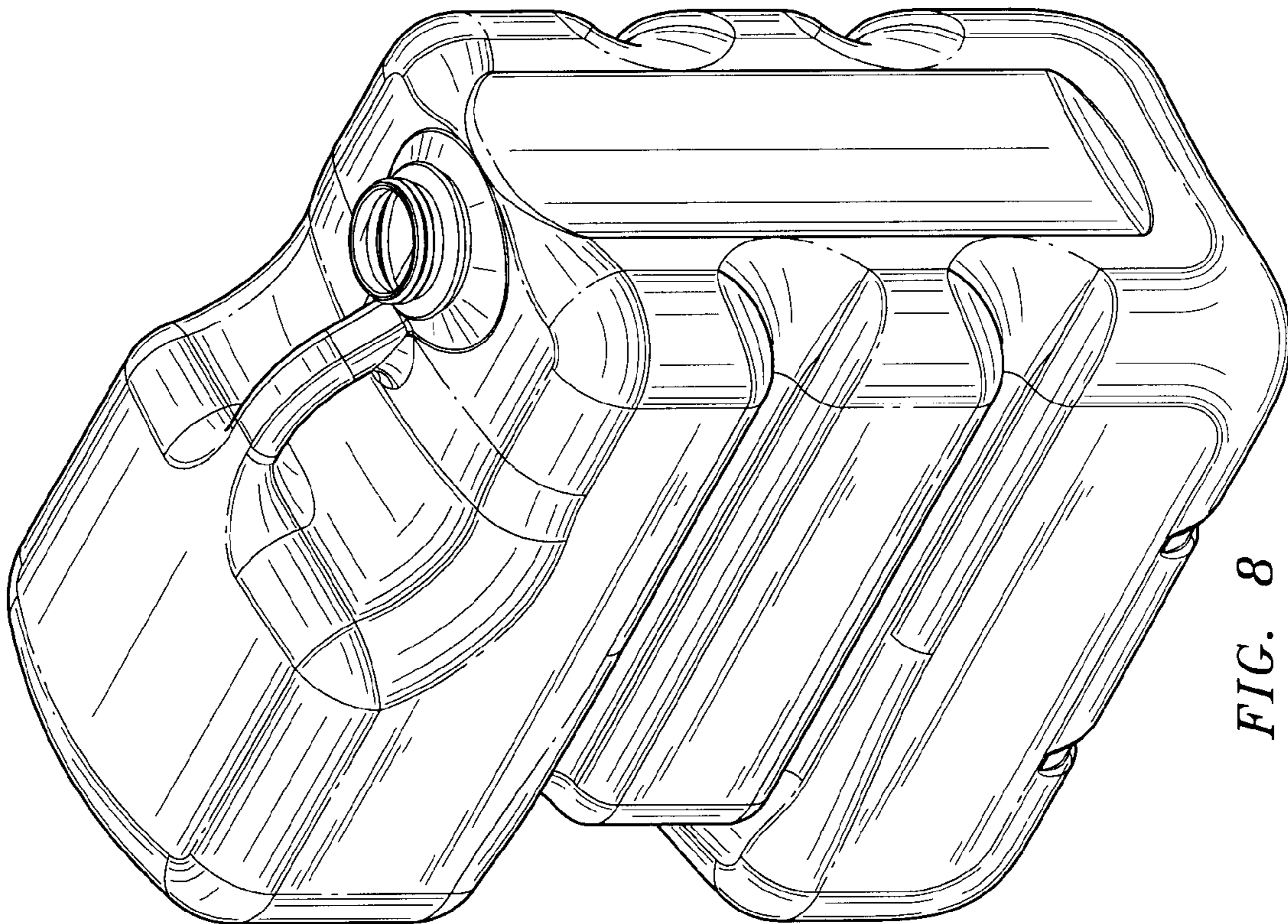


FIG. 8

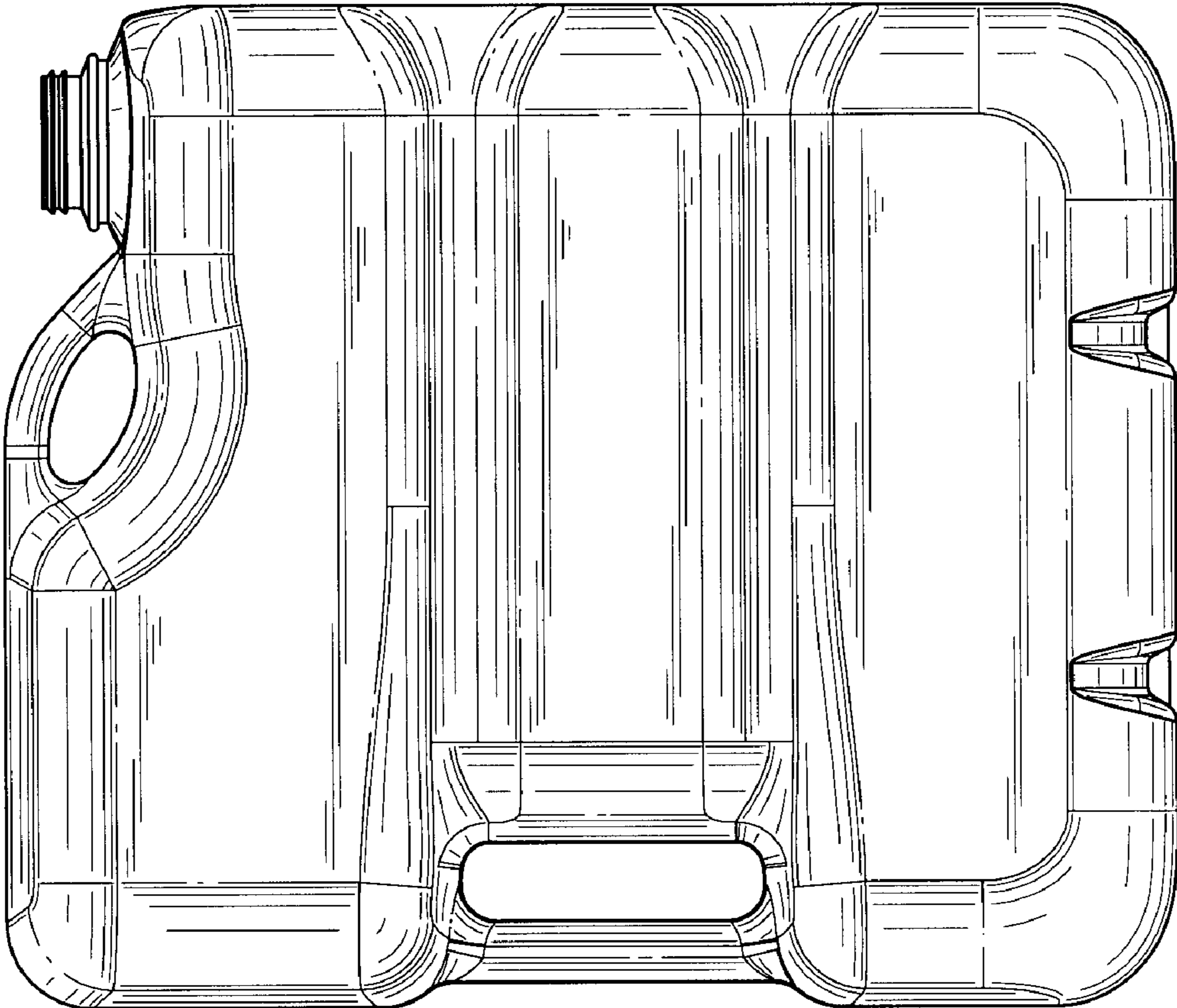


FIG. 9

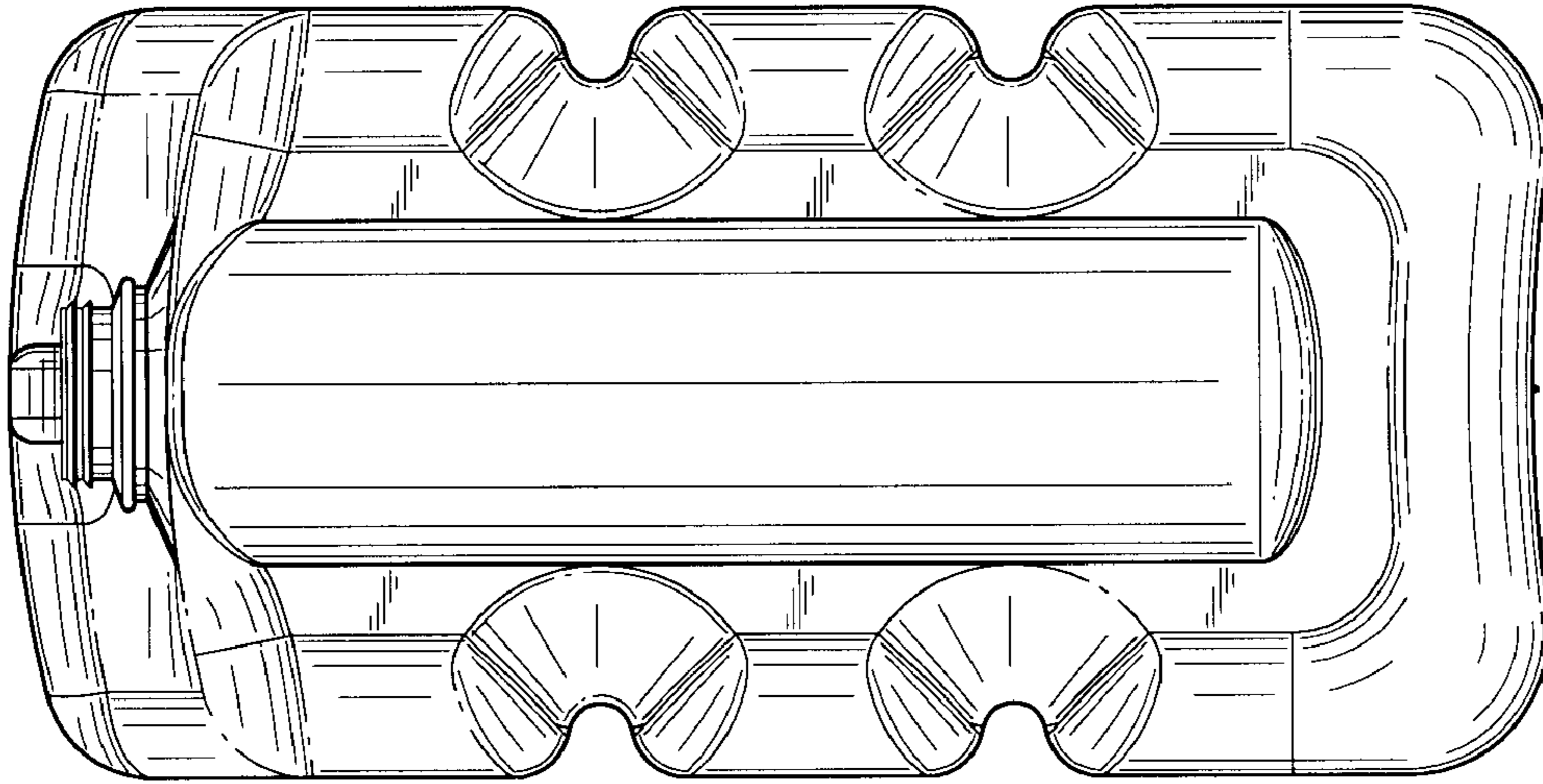


FIG. 11

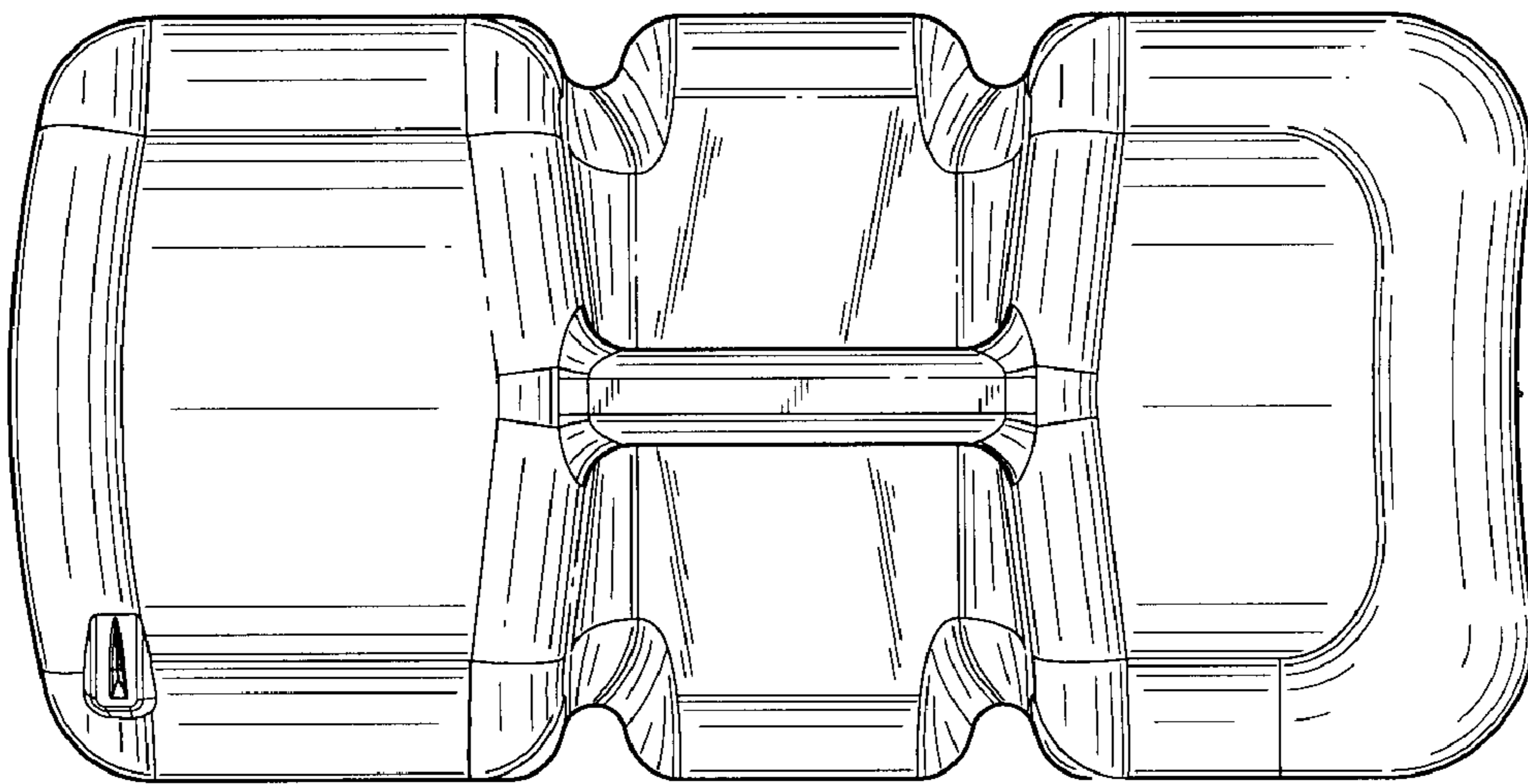


FIG. 10

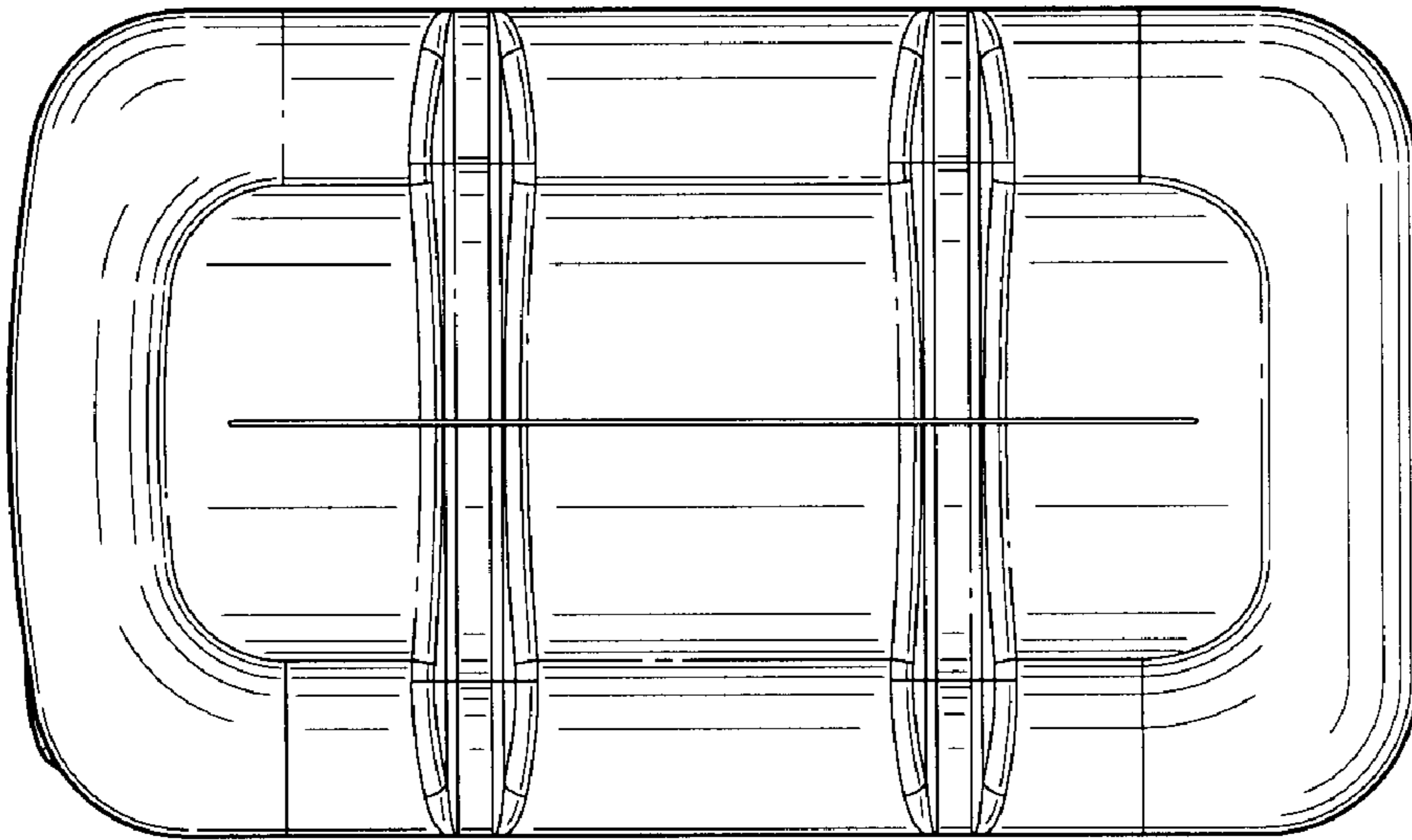


FIG. 12

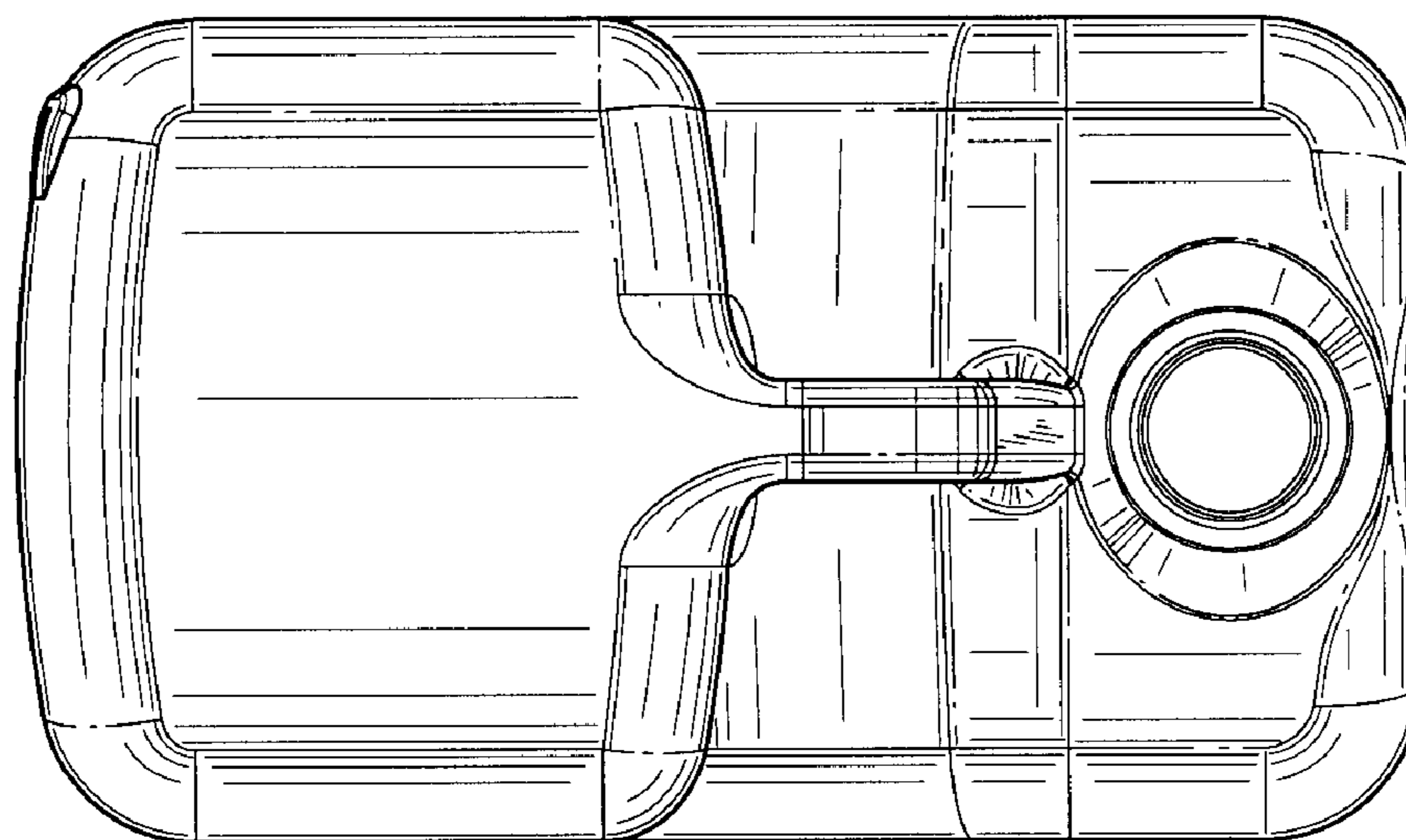


FIG. 13