



US00D514939S

(12) **United States Design Patent** (10) **Patent No.:** **US D514,939 S**
Miozzo et al. (45) **Date of Patent:** **** Feb. 14, 2006**

(54) **FLASK AND CAP ASSEMBLY FOR COSMETICS, PERSONAL CARE PRODUCTS, AND PERFUMES**

(75) Inventors: **Maria Filomena Padron Miozzo**, Sao Paulo (BR); **Julio Cesar Legramanti Neves**, Sao Paulo (BR); **Maria Paula Correia Assunção Fonseca**, Sao Paulo (BR); **Cesar Tadashi Nakagami**, Sao Paulo (BR)

(73) Assignee: **Natura Cosméticos S.A.**, Sao Paulo (BR)

(**) Term: **14 Years**

(21) Appl. No.: **29/185,997**

(22) Filed: **Jul. 8, 2003**

(30) **Foreign Application Priority Data**

Jan. 9, 2003 (BR) DI 6300098

(51) **LOC (8) Cl.** **09-01**

(52) **U.S. Cl.** **D9/526; D9/551; D9/549**

(58) **Field of Classification Search** D9/516, D9/512, 520, 517, 504, 521, 719, 453; D28/78, D28/82, 76; D3/303.2, 202; 401/88, 82; 220/233, 220/835; 132/293; 215/835; 206/37; 123/293
See application file for complete search history.

(56) **References Cited**

U.S. PATENT DOCUMENTS

1,667,919 A * 5/1928 Younghusband 132/293
2,276,047 A * 3/1942 Kurth 401/88

(Continued)

Primary Examiner—Cathron C. Brooks

Assistant Examiner—Austin Murphy

(74) *Attorney, Agent, or Firm*—Alston & Bird LLP

(57) **CLAIM**

The ornamental design for a flask and cap assembly for cosmetics, personal care products, and perfumes, as shown and described.

DESCRIPTION

FIG. 1 is a perspective view of an embodiment of the flask and cap assembly for cosmetics, personal care products, and perfumes, according to the present design formed from a transparent material;

FIG. 2 is a top plan view of the flask and cap shown in FIG. 1;

FIG. 3 is a bottom plan view of the flask and cap shown in FIG. 1;

FIG. 4 is a front elevation view of the flask and cap shown in FIG. 1;

FIG. 5 is a back elevation view of the flask and cap shown in FIG. 1;

FIG. 6 is a right side elevation view of the flask and cap shown in FIG. 1;

FIG. 7 is a left side elevation view of the flask and cap shown in FIG. 1;

FIG. 8 is a perspective view of another embodiment of the flask and cap assembly for cosmetics, personal care products, and perfumes, according to the present design formed from a translucent or an opaque material;

FIG. 9 is a top plan view of the flask and cap shown in FIG. 8;

FIG. 10 is a bottom plan view of the flask and cap shown in FIG. 8;

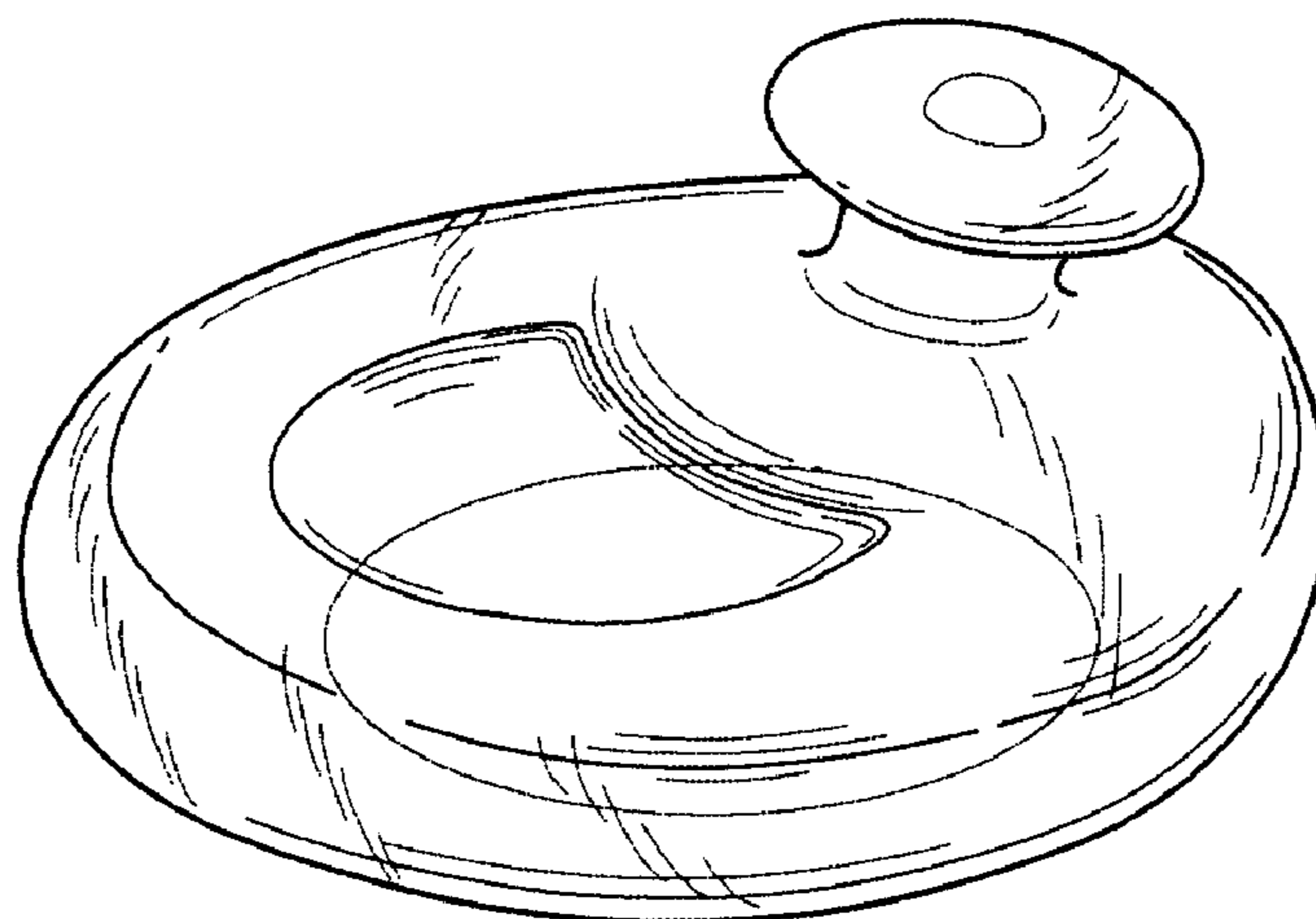
FIG. 11 is a front elevation view of the flask and cap shown in FIG. 8;

FIG. 12 is a back elevation view of the flask and cap shown in FIG. 8;

FIG. 13 is a right side elevation view of the flask and cap shown in FIG. 8; and,

FIG. 14 is a left side elevation view of the flask and cap shown in FIG. 8.

1 Claim, 4 Drawing Sheets



US D514,939 S

Page 2

U.S. PATENT DOCUMENTS

2,625,292	A	*	1/1953	Spender	220/835	D339,882	S	*	9/1993	Chevassus	D28/82
D175,090	S	*	7/1955	Newton	D9/719	D342,808	S	*	12/1993	Bakic	D28/82
D190,142	S	*	4/1961	Meshino	D3/203.2	D408,591	S	*	4/1999	Litton et al.	D28/82
3,470,929	A	*	10/1969	Thornton	220/233	D423,724	S	*	4/2000	Crosta	D28/78
4,459,058	A	*	7/1984	Bennett	401/88	D428,340	S	*	7/2000	Herrmann	D9/517
D285,052	S	*	8/1986	Bianchi et al.	D9/521	D432,723	S	*	10/2000	Crosta	D28/82
D316,814	S	*	5/1991	Duffy et al.	D9/521	D433,634	S	*	11/2000	Nicolas	D9/520
D318,346	S	*	7/1991	Bakic	D28/82	D473,793	S	*	4/2003	Paster	D9/521
D335,085	S	*	4/1993	Wacker	D9/504	D479,689	S	*	9/2003	Altonen et al.	D9/516
D337,177	S	*	7/1993	Tiramani et al.	D28/76							

* cited by examiner

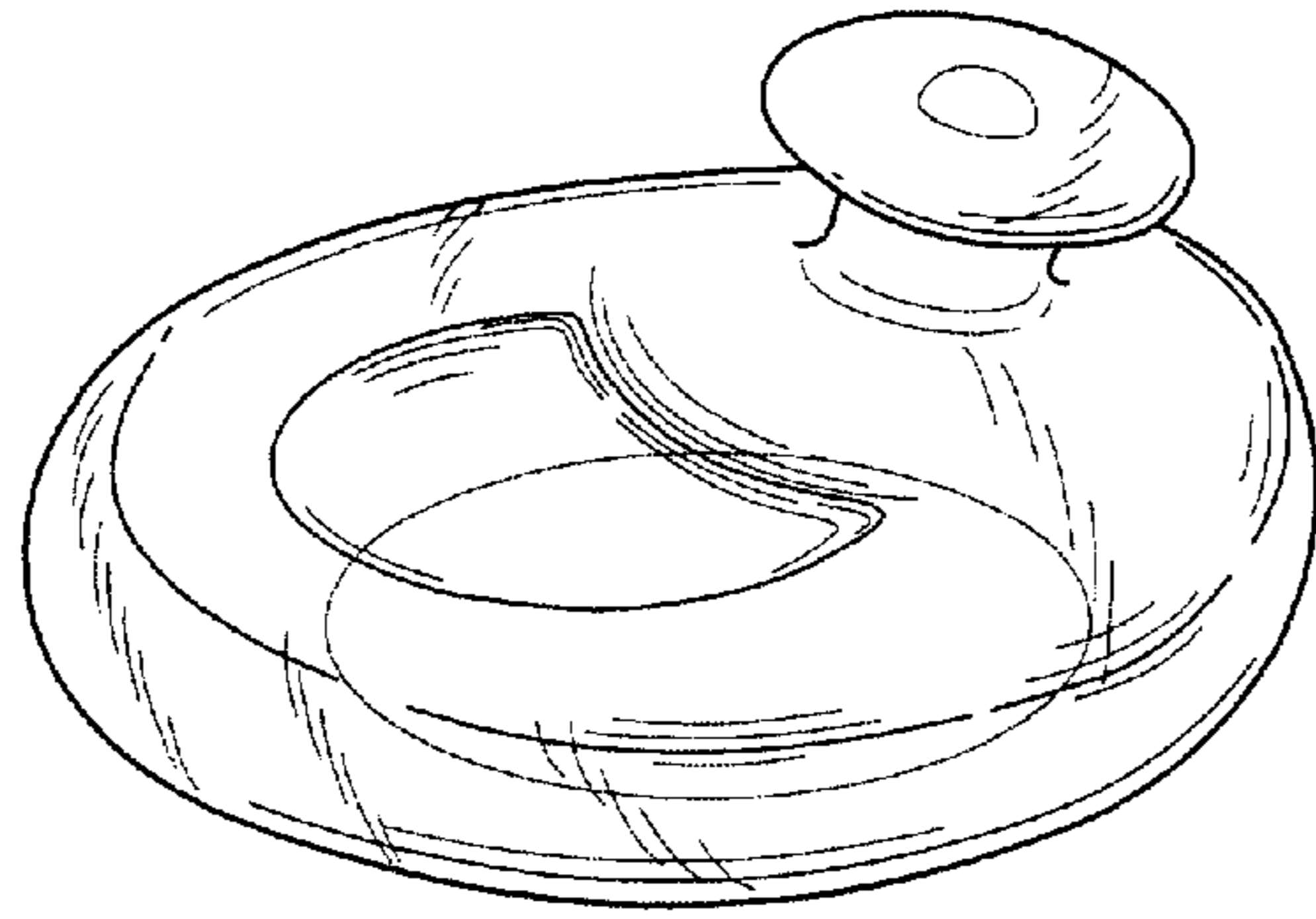


FIG. 1

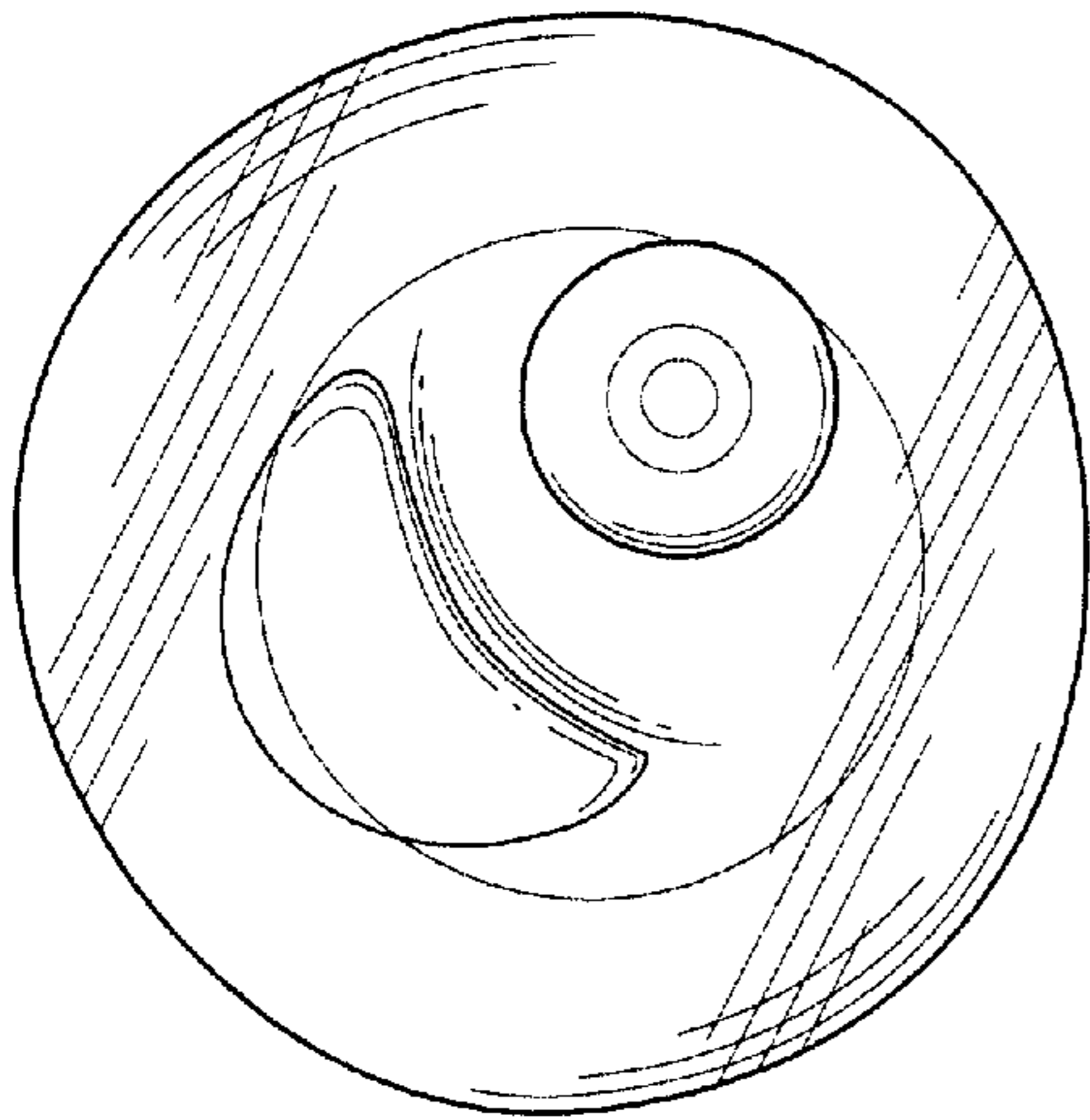


FIG. 2

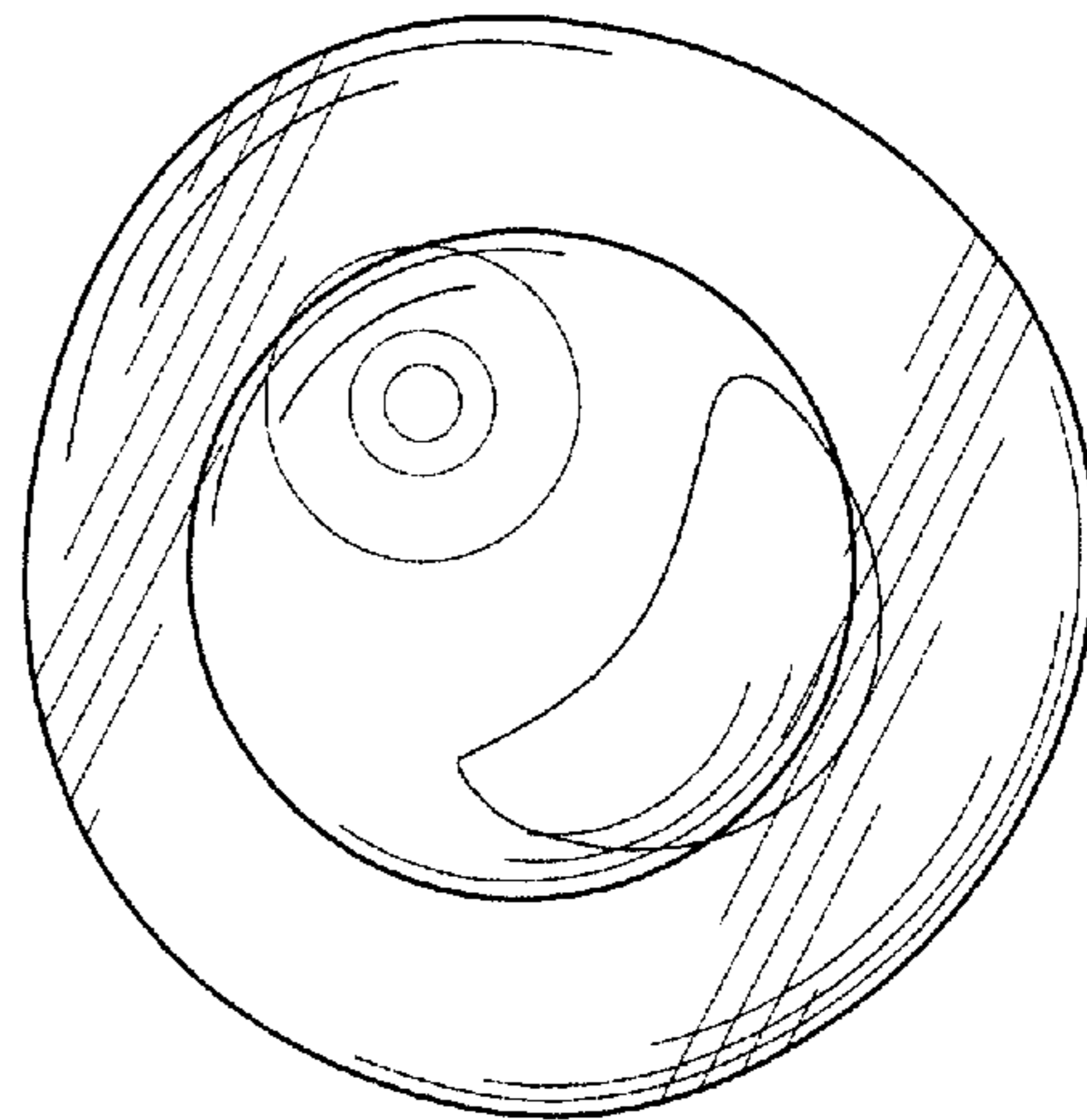


FIG. 3

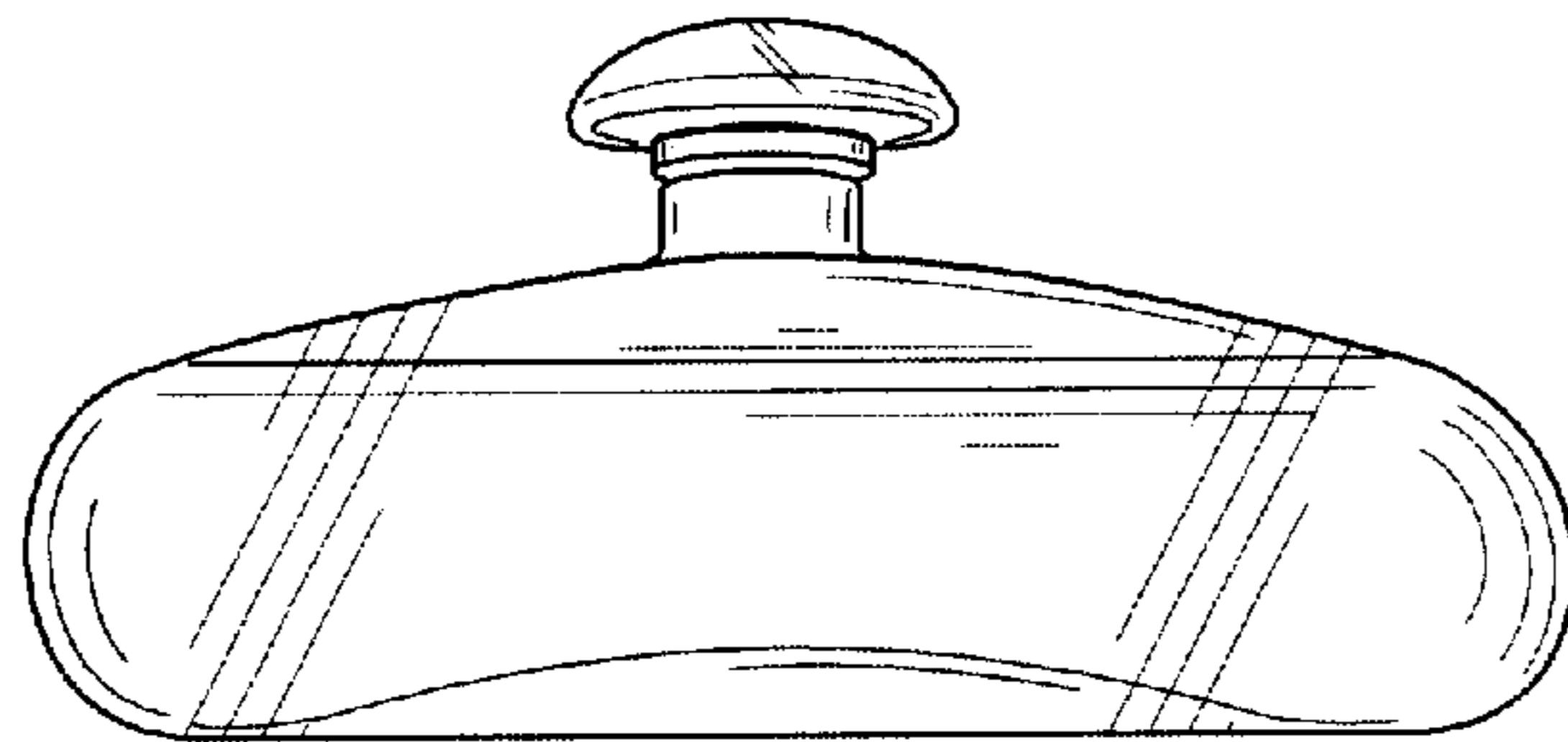


FIG. 4

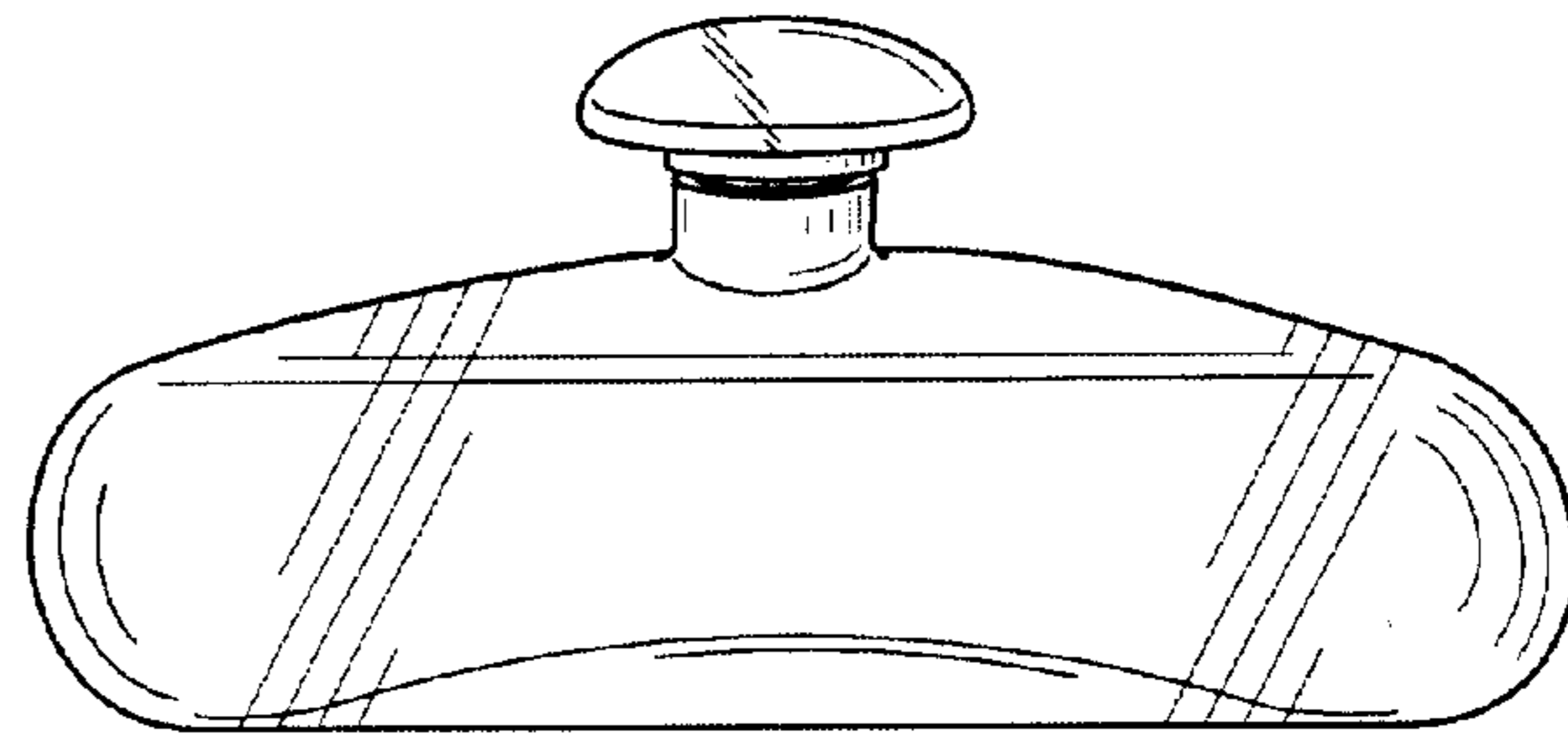


FIG. 5

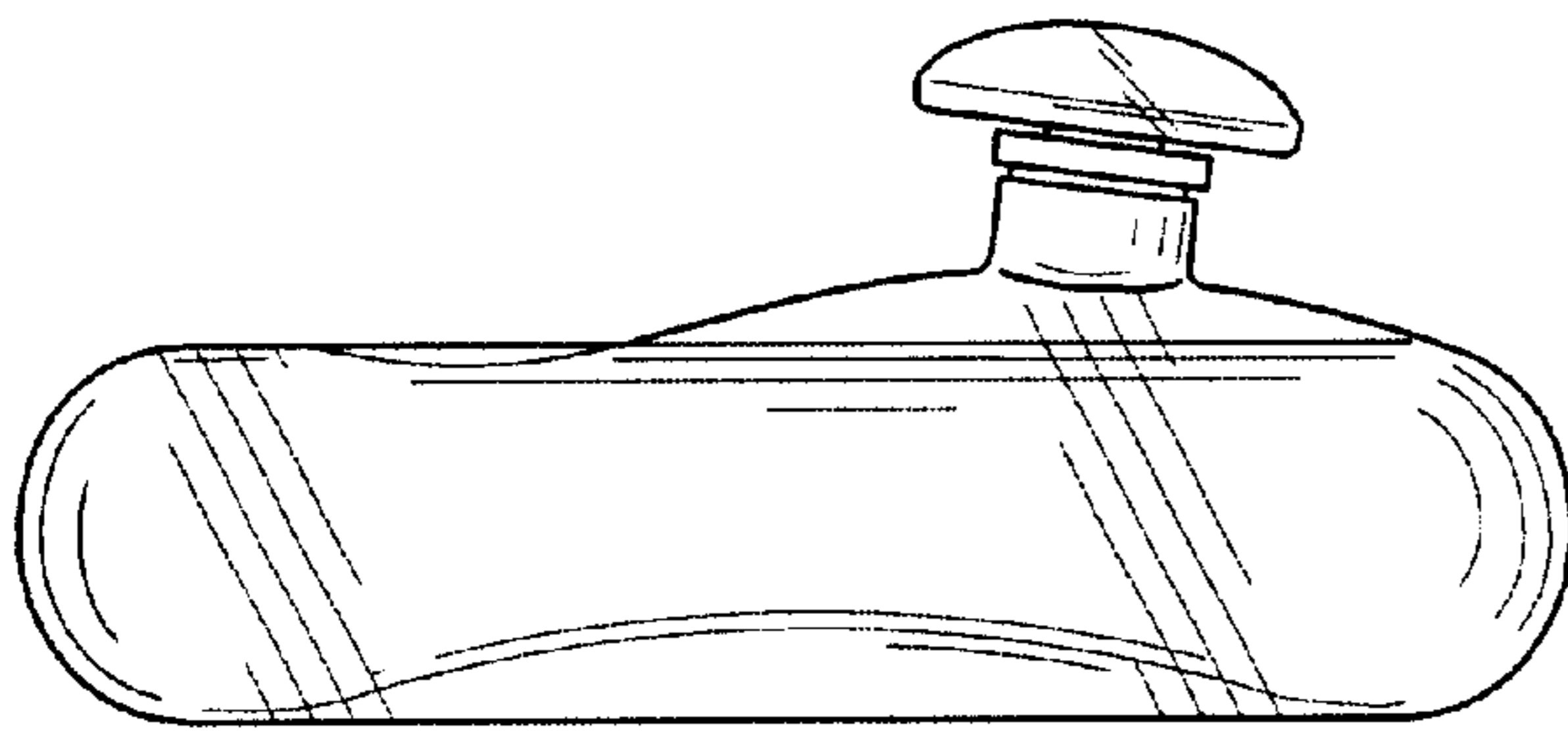


FIG. 6

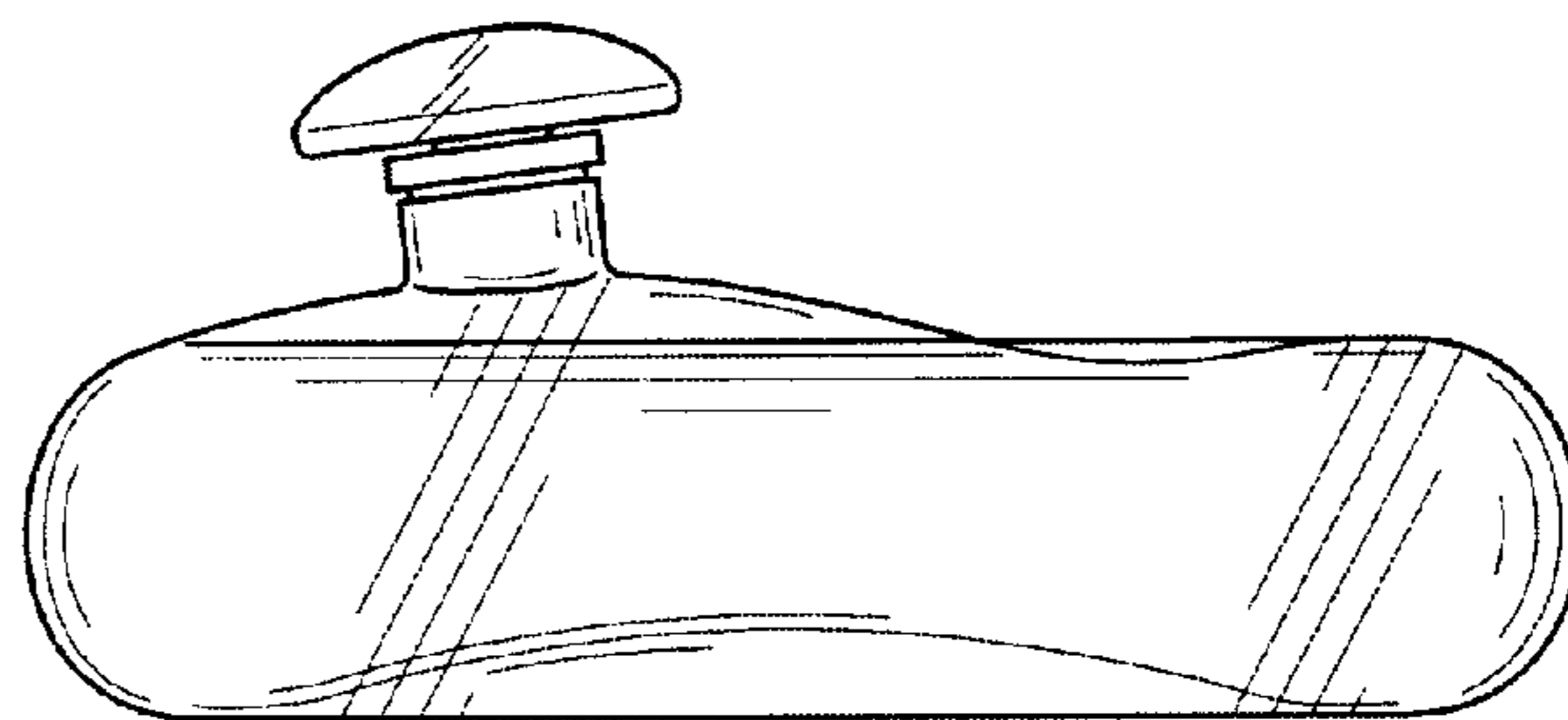


FIG. 7

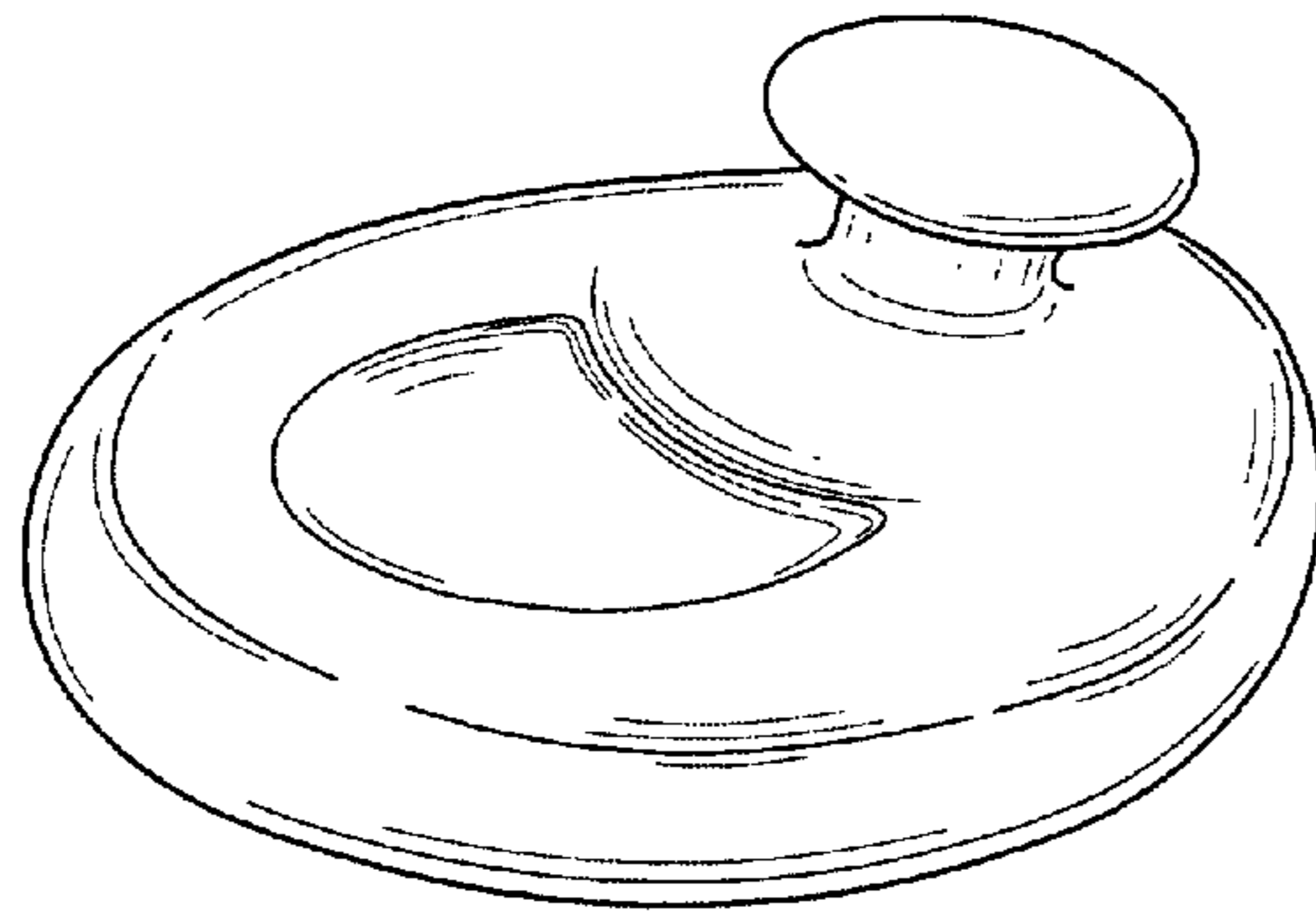


FIG. 8

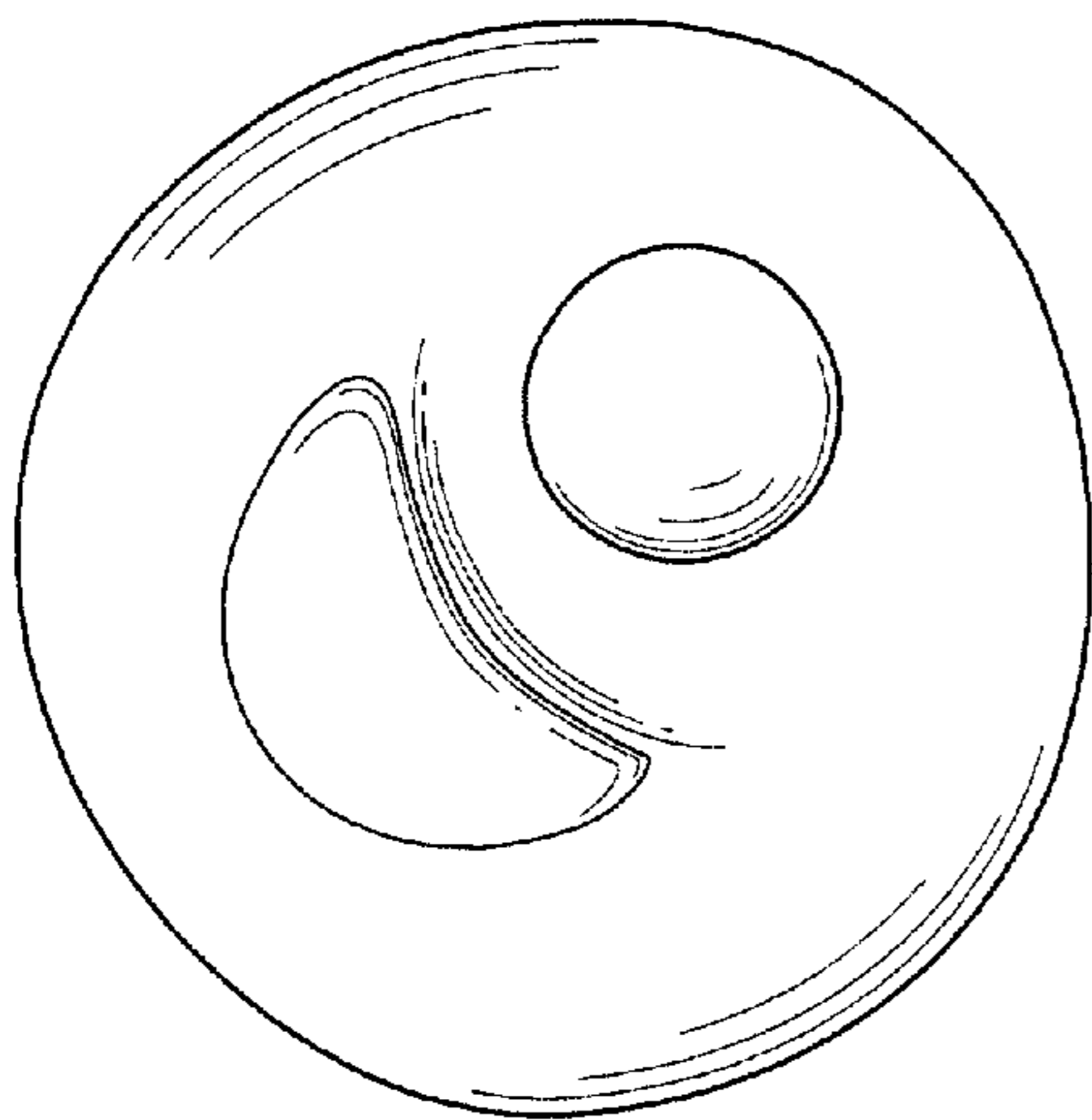


FIG. 9

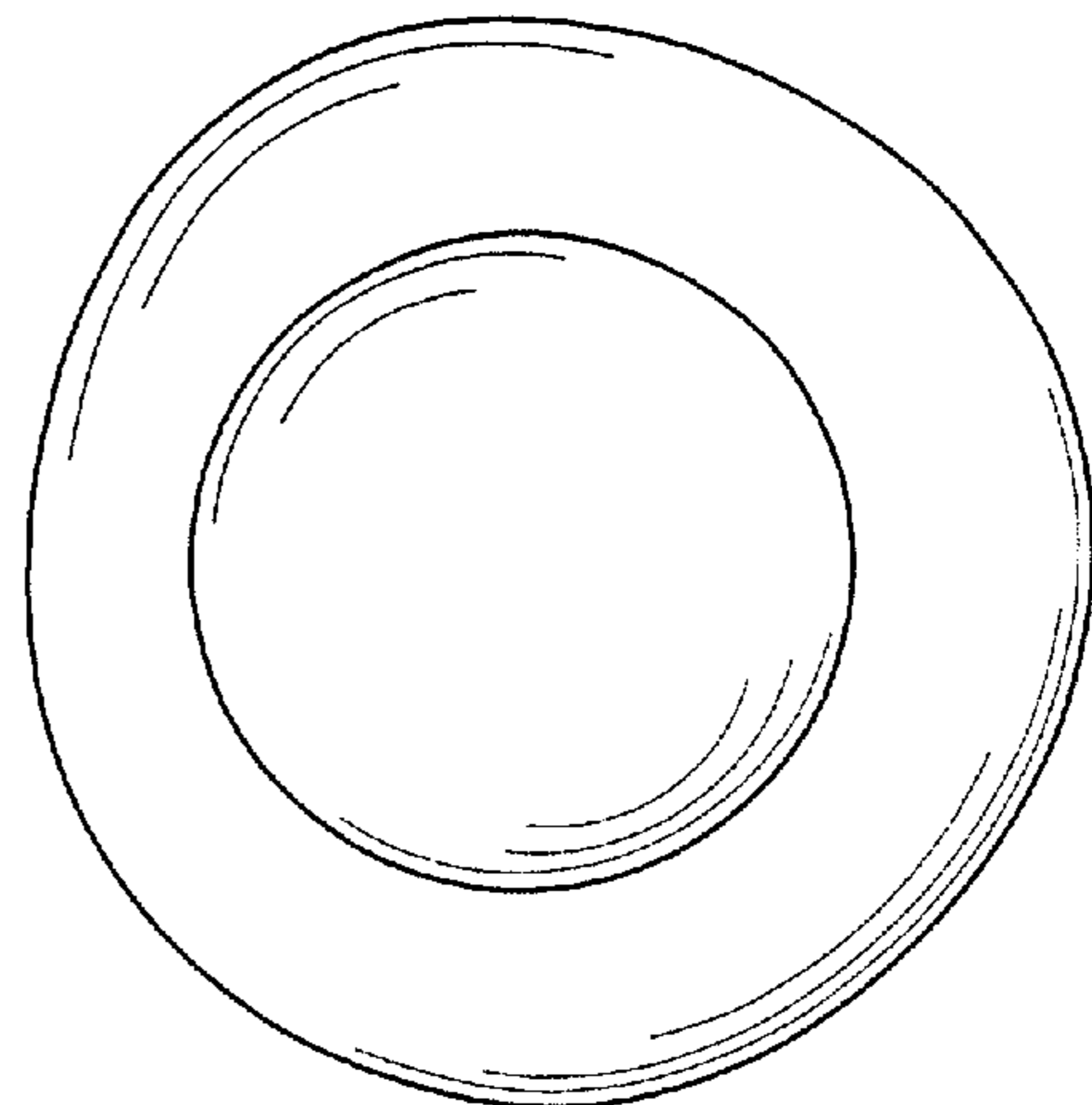


FIG. 10

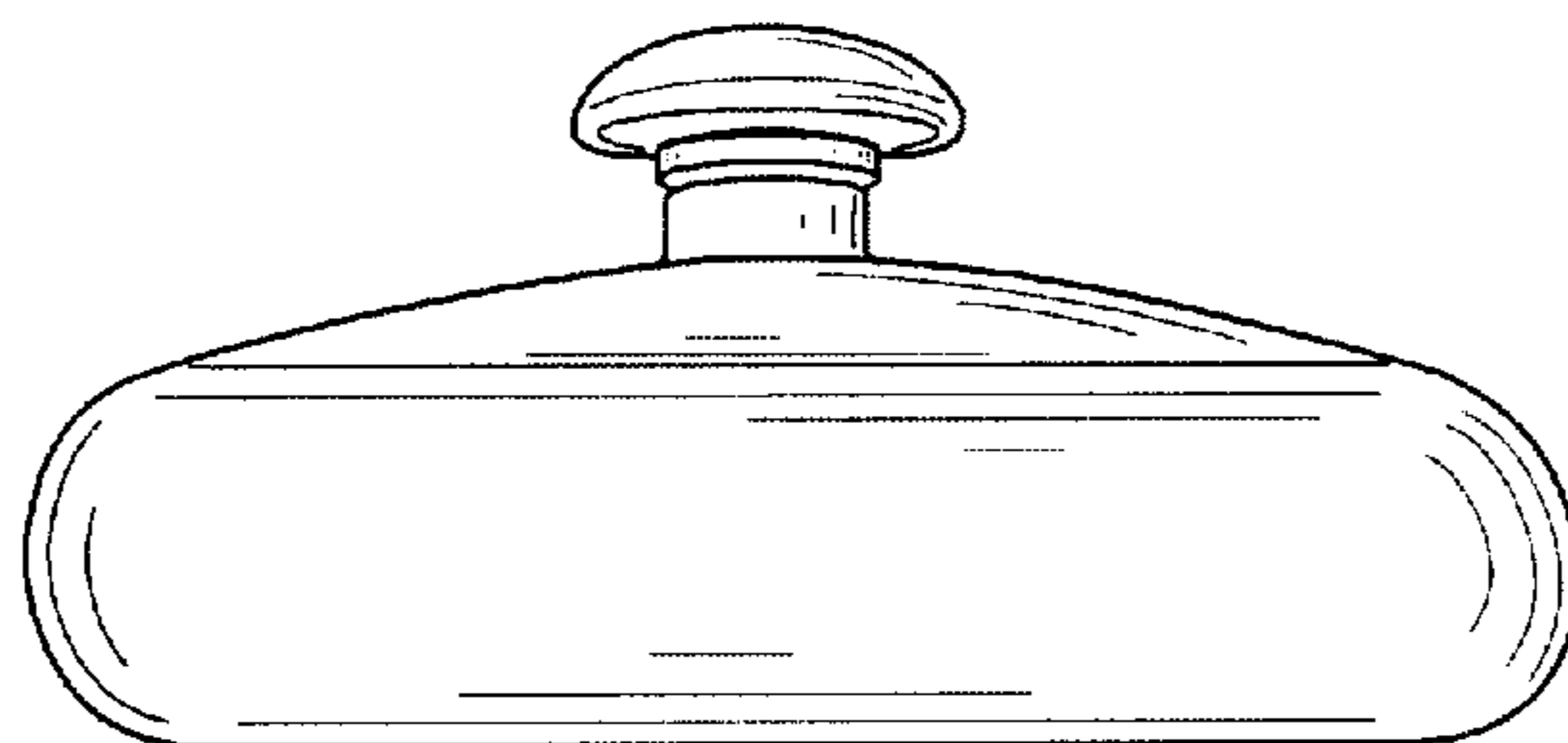


FIG. 11

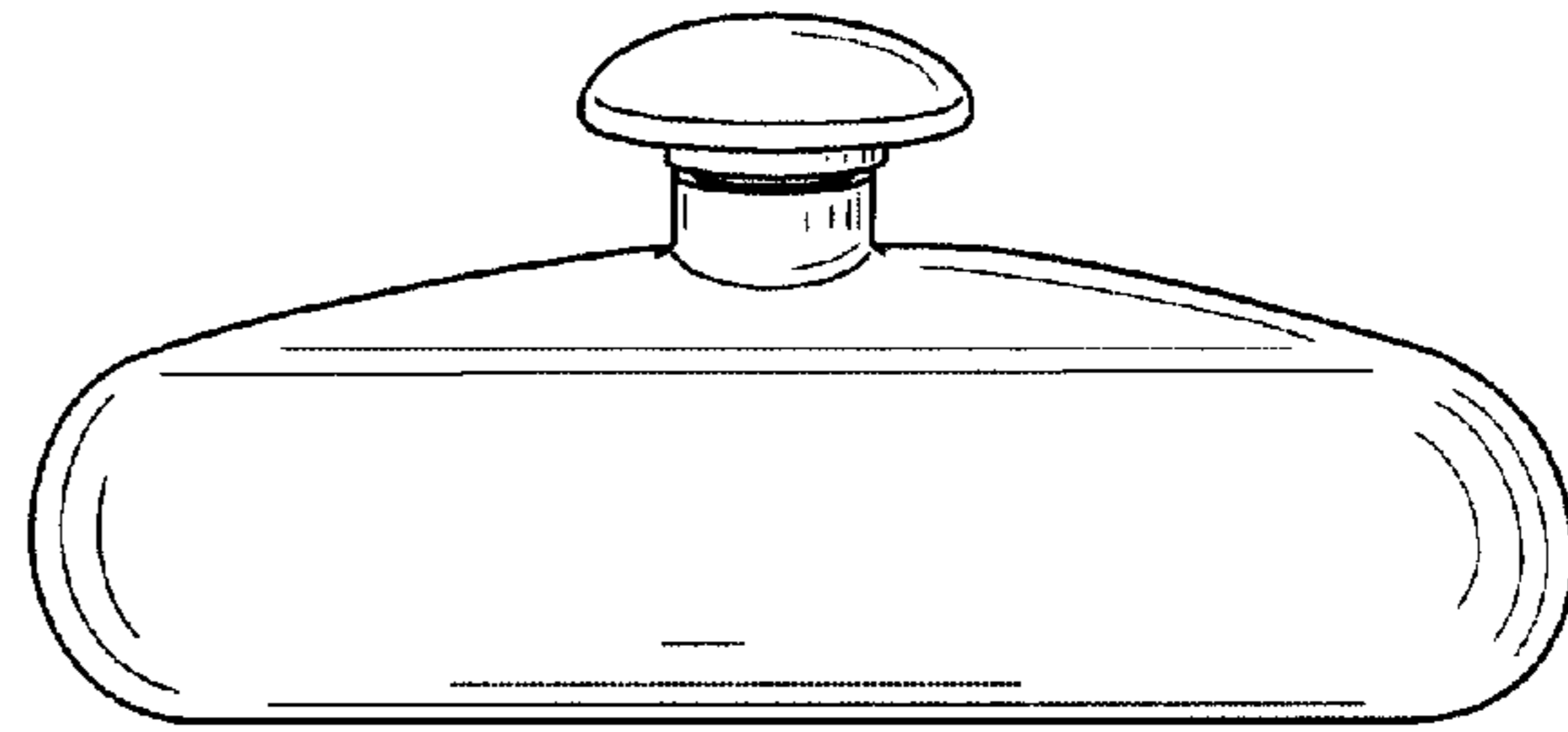


FIG. 12

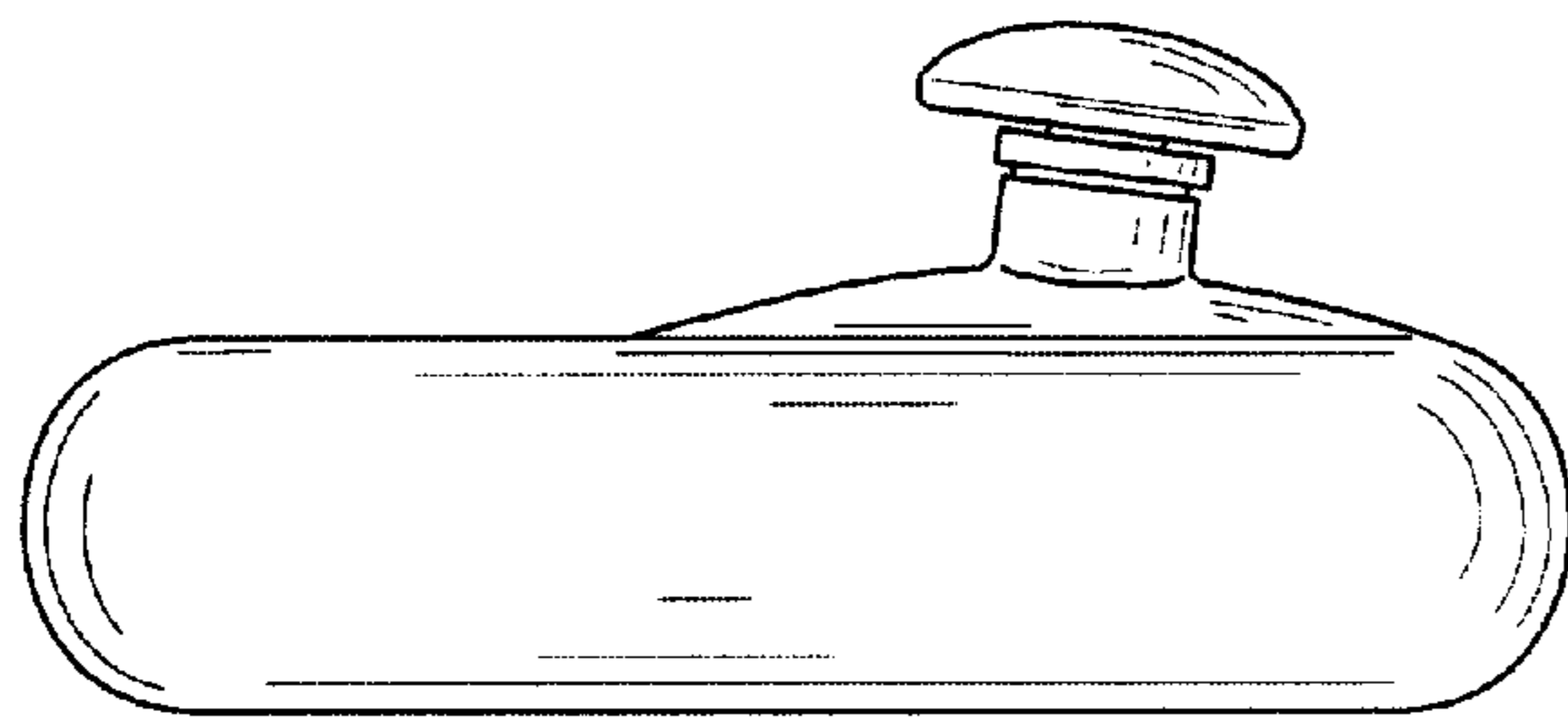


FIG. 13

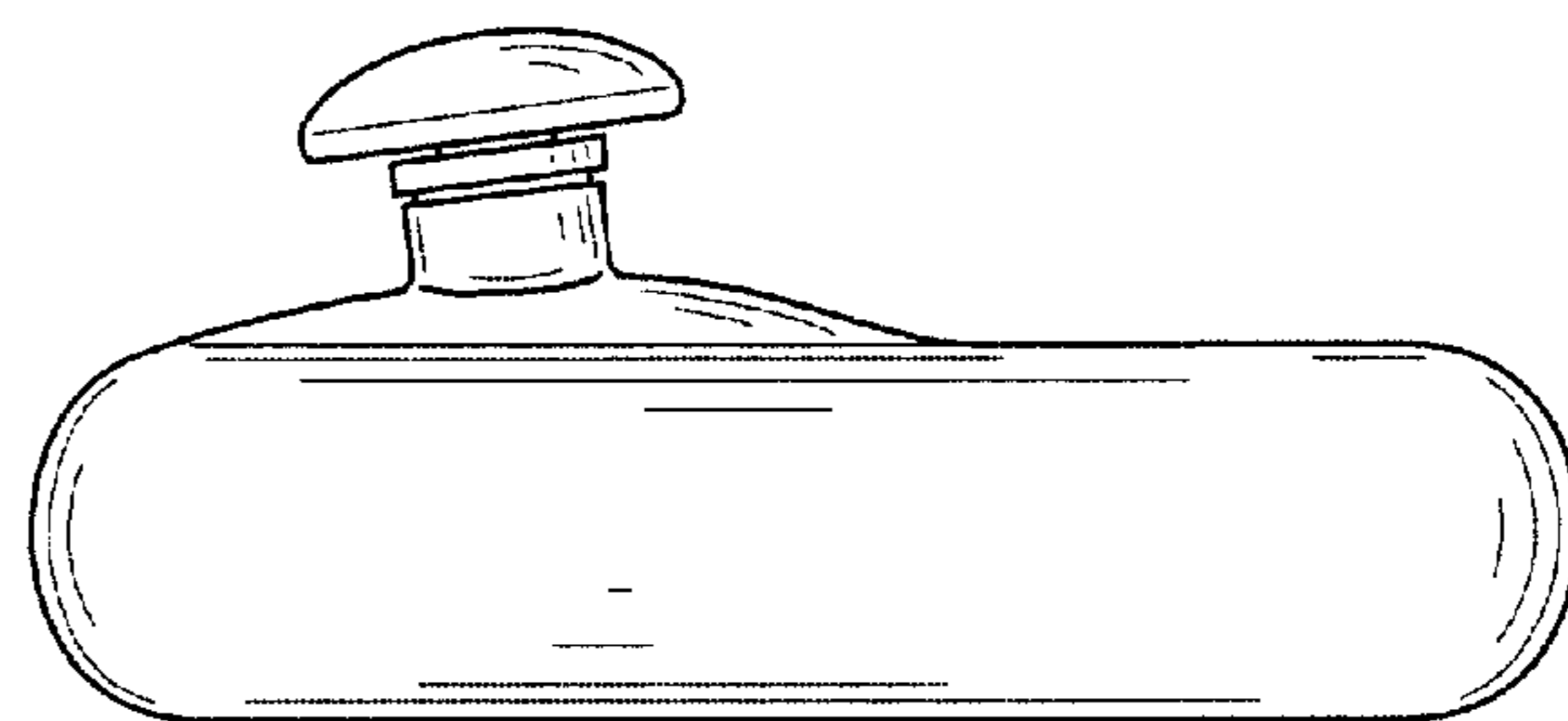


FIG. 14