



US00D514936S

(12) **United States Design Patent**
Pace et al.

(10) **Patent No.:** **US D514,936 S**
(45) **Date of Patent:** **** Feb. 14, 2006**

- (54) **CONTAINER WITH LID**
 - (75) Inventors: **Gregory A. Pace**, Nunnely, TN (US);
Charles H. Keltz, Joliet, IL (US)
 - (73) Assignee: **U.S. Smokeless Tobacco Company**,
Greenwich, CT (US)
 - (**) Term: **14 Years**
 - (21) Appl. No.: **29/222,466**
 - (22) Filed: **Jan. 31, 2005**
 - (51) **LOC (8) Cl.** **09-03**
 - (52) **U.S. Cl.** **D9/504**
 - (58) **Field of Classification Search** D9/503,
D9/504, 529, 537, 539, 549, 558, 563, 428,
D9/435, 454, 719; 15/244.1; 132/298; D28/77,
D28/82, 91; D27/190; 220/4.27, 212, 281,
220/284, 780-796; 215/317; 206/1.5, 229,
206/525, 823
- See application file for complete search history.

- D281,764 S 12/1985 Legrottaglie
- 4,646,933 A 3/1987 Jurczenia et al.
- D291,971 S 9/1987 Smith
- 4,765,501 A 8/1988 Kao
- D303,584 S 9/1989 Bakic
- 4,866,952 A 9/1989 Hight et al.
- 5,246,133 A 9/1993 James
- D352,896 S * 11/1994 Jones D9/428
- 5,377,860 A 1/1995 Littlejohn et al.
- 5,427,266 A 6/1995 Yun
- 5,632,971 A 5/1997 Yang
- 5,660,303 A 8/1997 Hirose
- 5,752,599 A 5/1998 Veltman
- 5,769,267 A 6/1998 Duynslager et al.
- 5,791,473 A 8/1998 Decker et al.
- 5,794,814 A 8/1998 Baerenwald
- 5,806,710 A 9/1998 Shiffer et al.
- D400,787 S 11/1998 Keener
- 5,833,088 A 11/1998 Kladders et al.

(Continued)

Primary Examiner—Nanda Bondade
Assistant Examiner—Shanda C. Hill
(74) *Attorney, Agent, or Firm*—Fitch, Even, Tabin &
Flannery

(56) **References Cited**

U.S. PATENT DOCUMENTS

- 216,831 A 6/1879 Collings
- 411,773 A 10/1889 Atkinson
- D28,413 S 3/1898 Taite
- 660,739 A 10/1900 Taylor
- 663,415 A 12/1900 Charles
- 1,214,899 A 2/1917 Curran
- 1,616,381 A * 2/1927 MacDougall 132/298
- 1,975,703 A 10/1934 Vitale
- 2,047,951 A 7/1936 Eberhart
- 2,493,086 A 1/1950 Reifsnnyder
- 2,789,607 A 4/1957 Tupper
- D184,789 S 3/1959 Zehntner et al.
- 2,878,848 A 3/1959 Coltman, Jr.
- 3,122,990 A 3/1964 Fried
- 3,206,016 A 9/1965 Fowle et al.
- 4,098,421 A 7/1978 Foster
- 4,124,135 A 11/1978 Weder et al.
- 4,165,815 A * 8/1979 Vetter 220/4.27
- 4,190,170 A 2/1980 Boyd
- D273,766 S 5/1984 Lampe

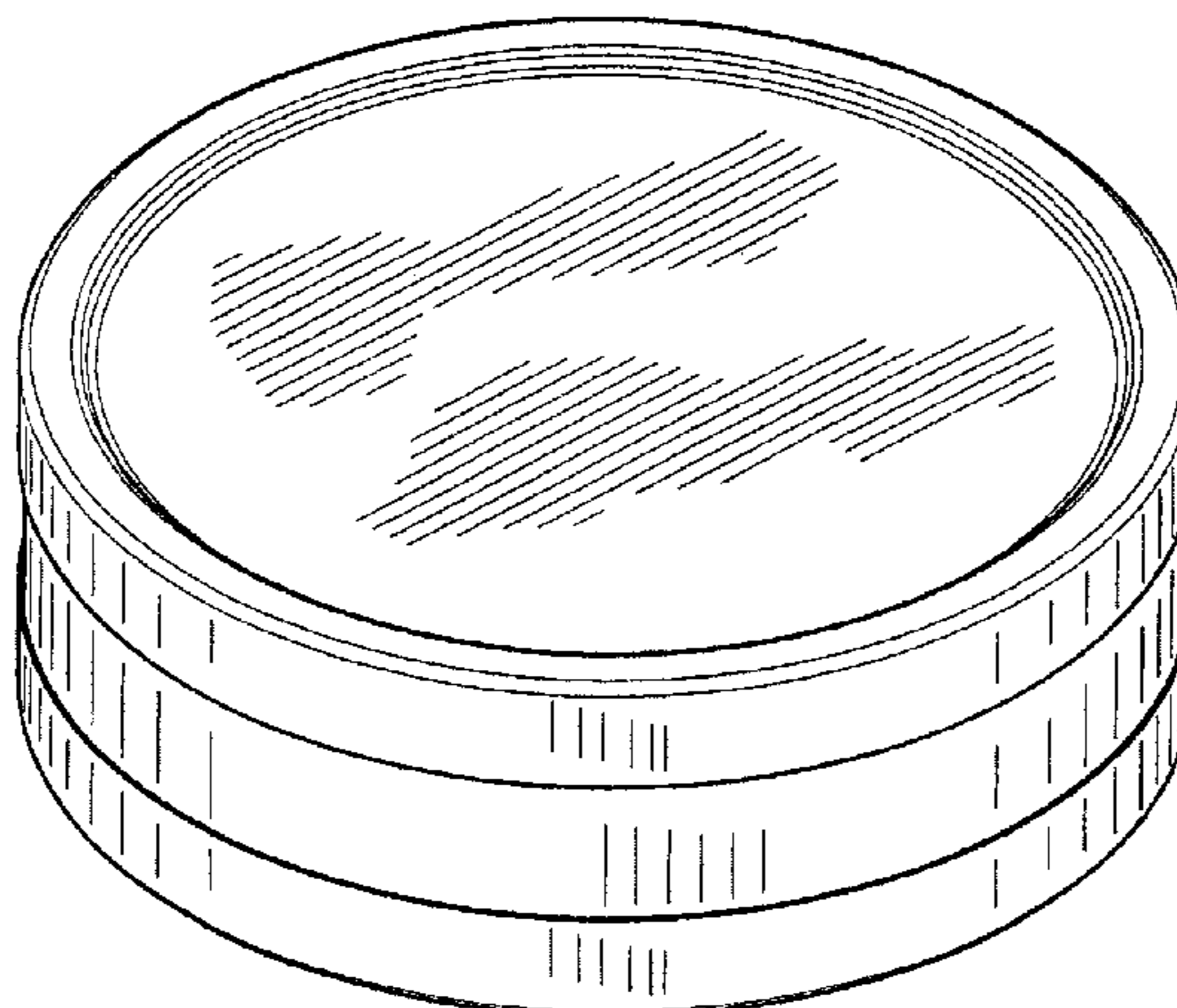
(57) **CLAIM**

The ornamental design for a container with lid, as shown and described.

DESCRIPTION

FIG. 1 is a top perspective view of a container with lid showing our new design;
FIG. 2 is a bottom perspective view thereof;
FIG. 3 is an exploded perspective view thereof;
FIG. 4 is another exploded perspective view thereof;
FIG. 5 is a top plan view thereof;
FIG. 6 is a front elevational view thereof, the rear, left and right views being identical thereto;
FIG. 7 is an exploded front elevational view thereof, the rear, left and right views being identical thereto; and,
FIG. 8 is another exploded front elevational view thereof, the rear, left and right views being identical thereto.

1 Claim, 8 Drawing Sheets



US D514,936 S

Page 2

U.S. PATENT DOCUMENTS

D403,470 S	*	12/1998	Litton et al.	D28/82	D431,458 S	10/2000	Bried et al.	
5,894,952 A		4/1999	Mendenhall et al.		6,158,607 A	12/2000	Wallberg	
5,894,953 A		4/1999	Ramirez		6,164,484 A	12/2000	Fiore et al.	
5,960,985 A		10/1999	Barrett		D476,233 S	6/2003	Versace	
6,015,061 A		1/2000	Lowry		D494,474 S	*	8/2004	Houk et al. D9/504
H1855 H	*	8/2000	Litton et al.	D28/82	D498,678 S	*	11/2004	Ames D9/529
6,119,890 A		9/2000	Kawamata					

* cited by examiner

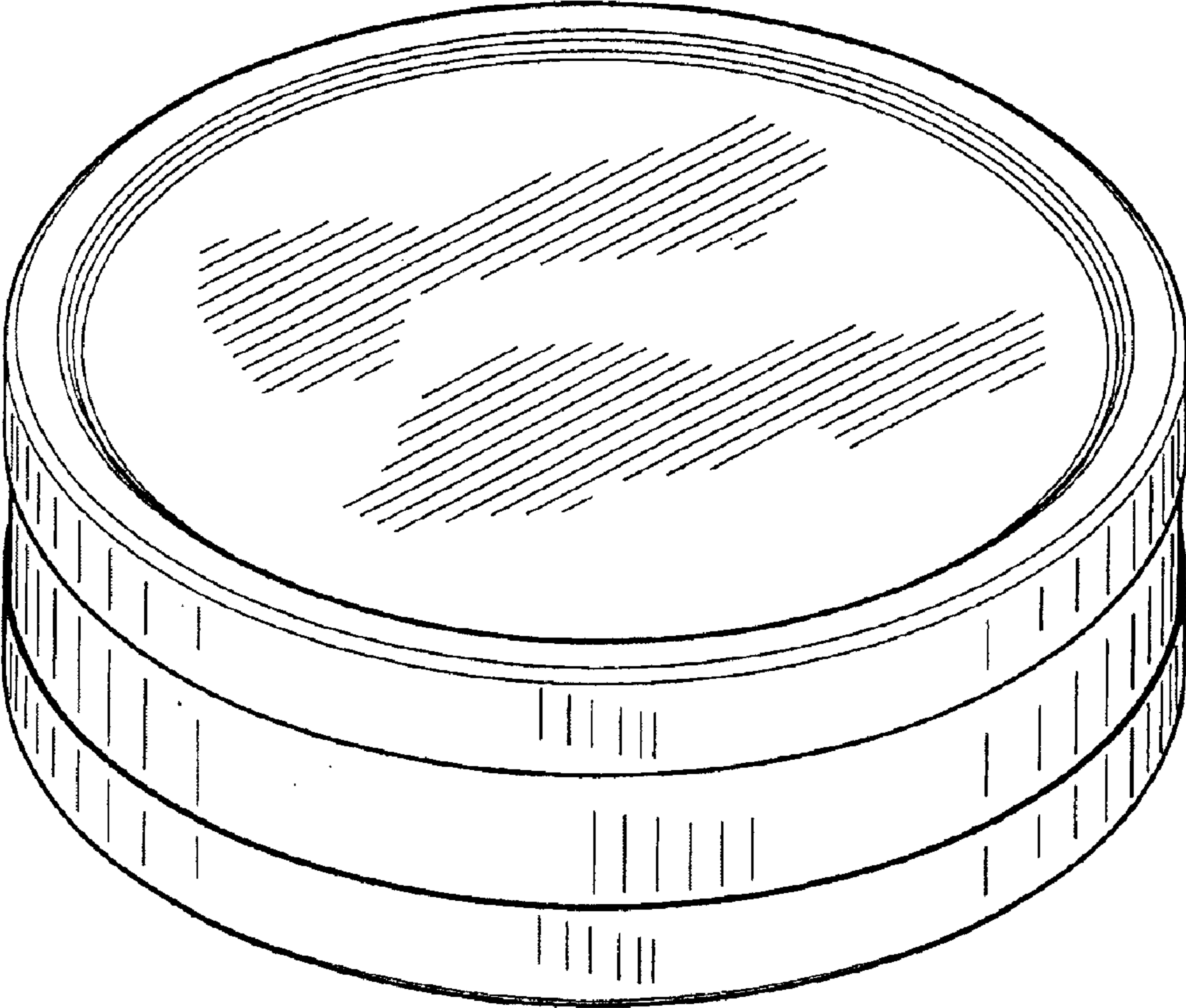


FIG. 1

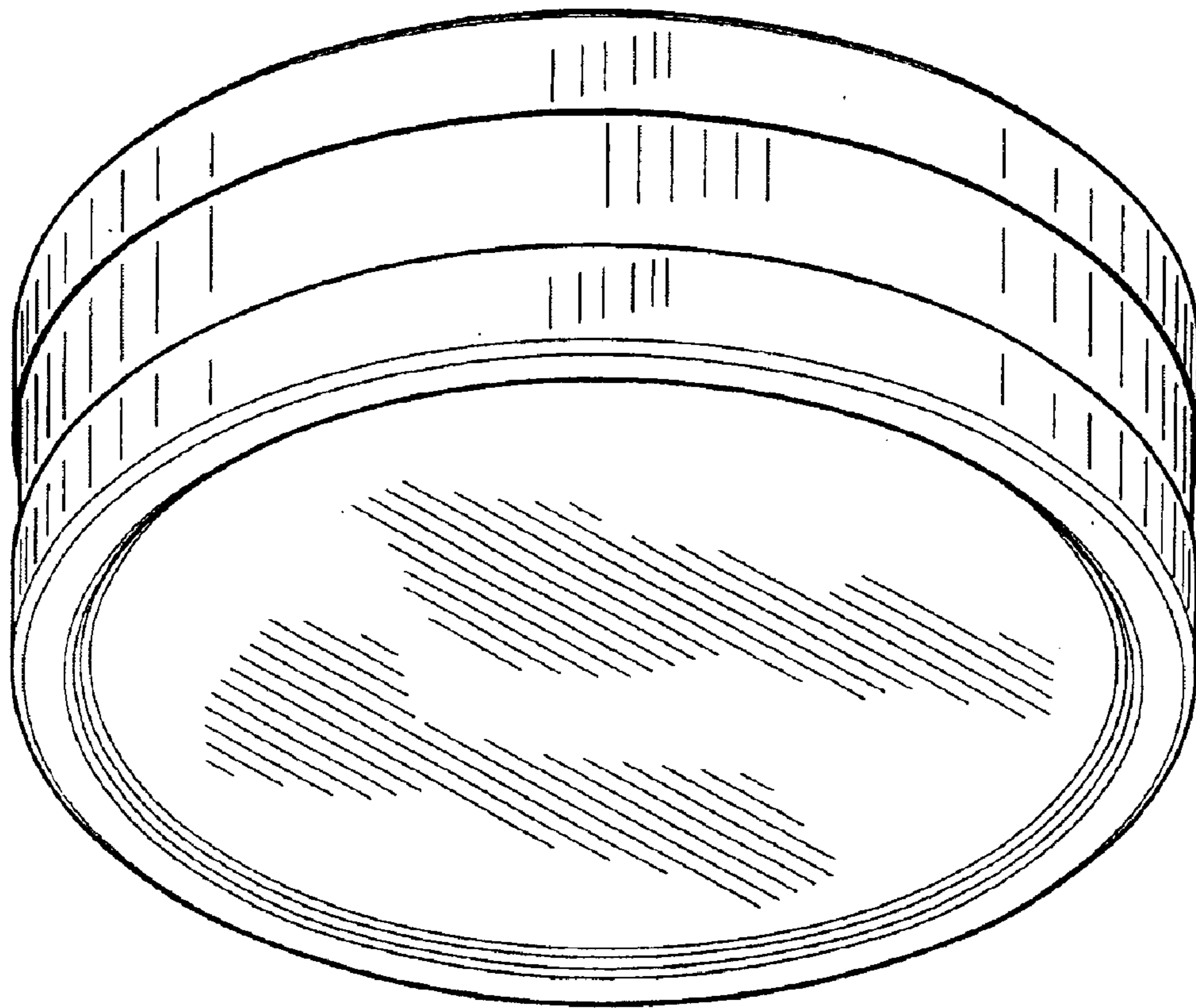


FIG. 2

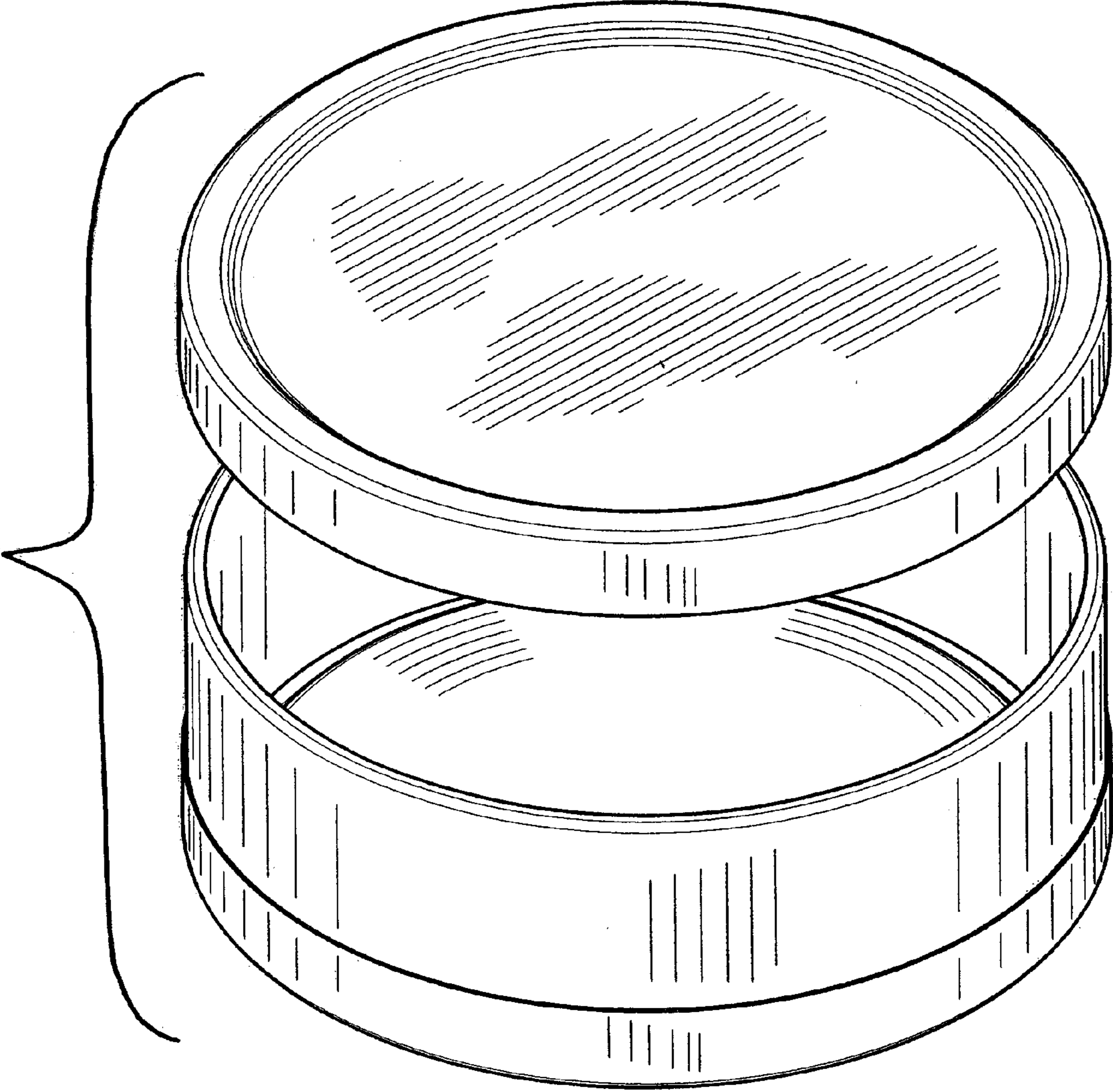


FIG. 3

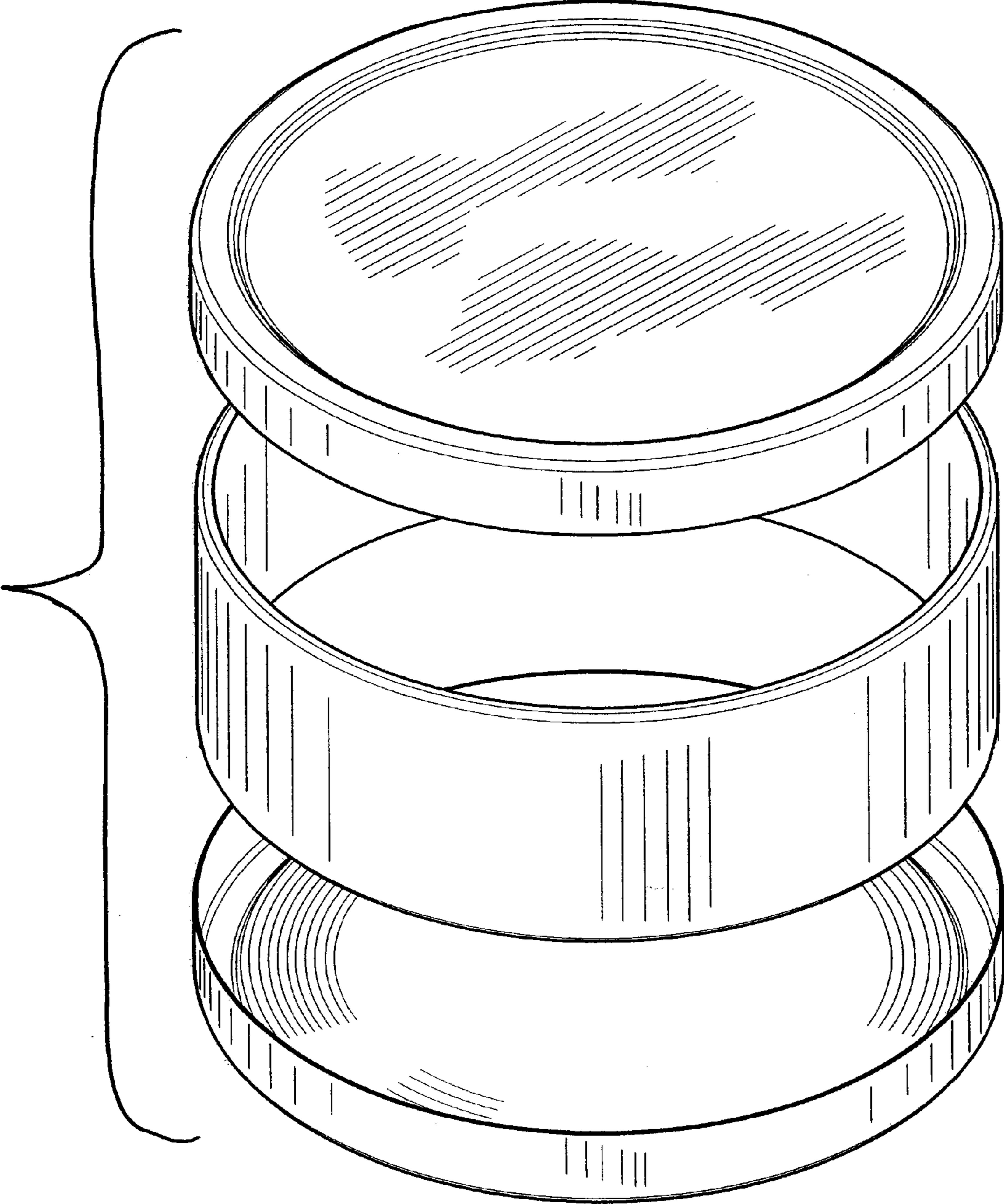


FIG. 4

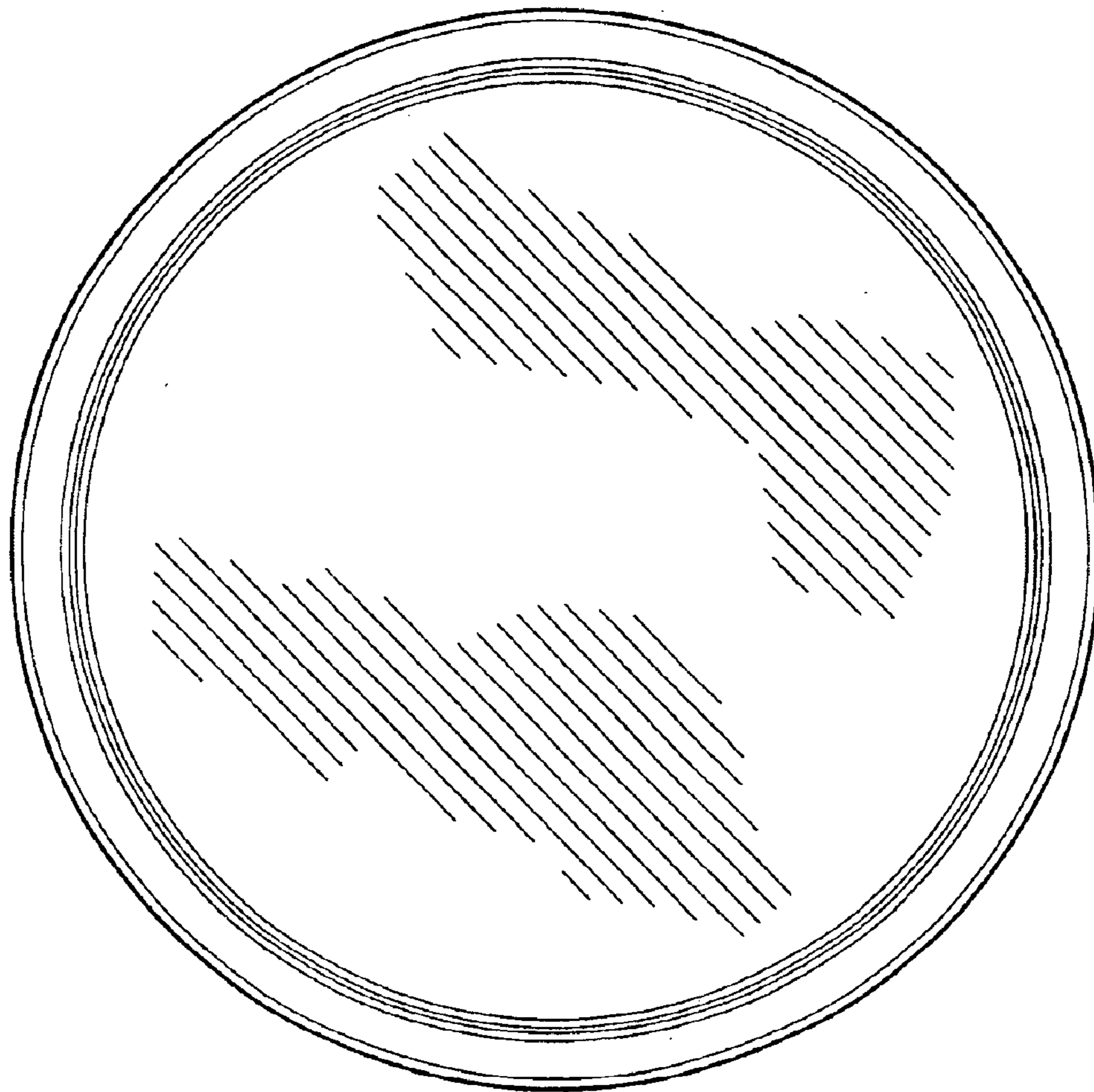


FIG. 5

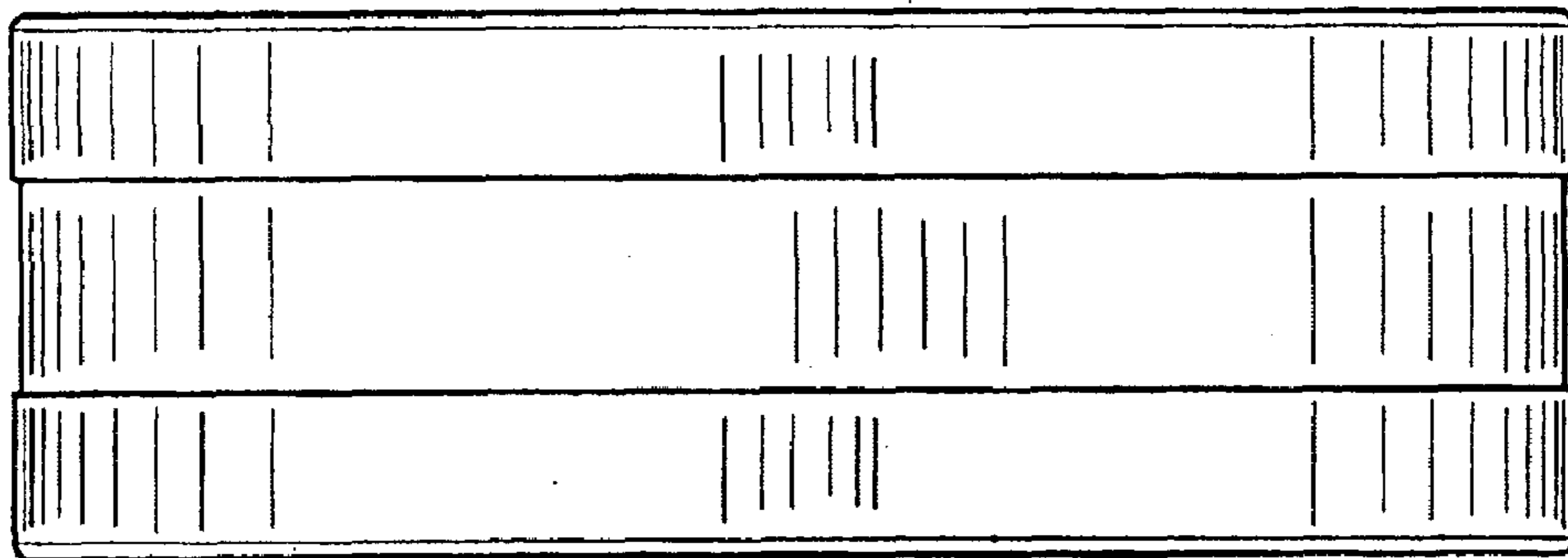


FIG. 6

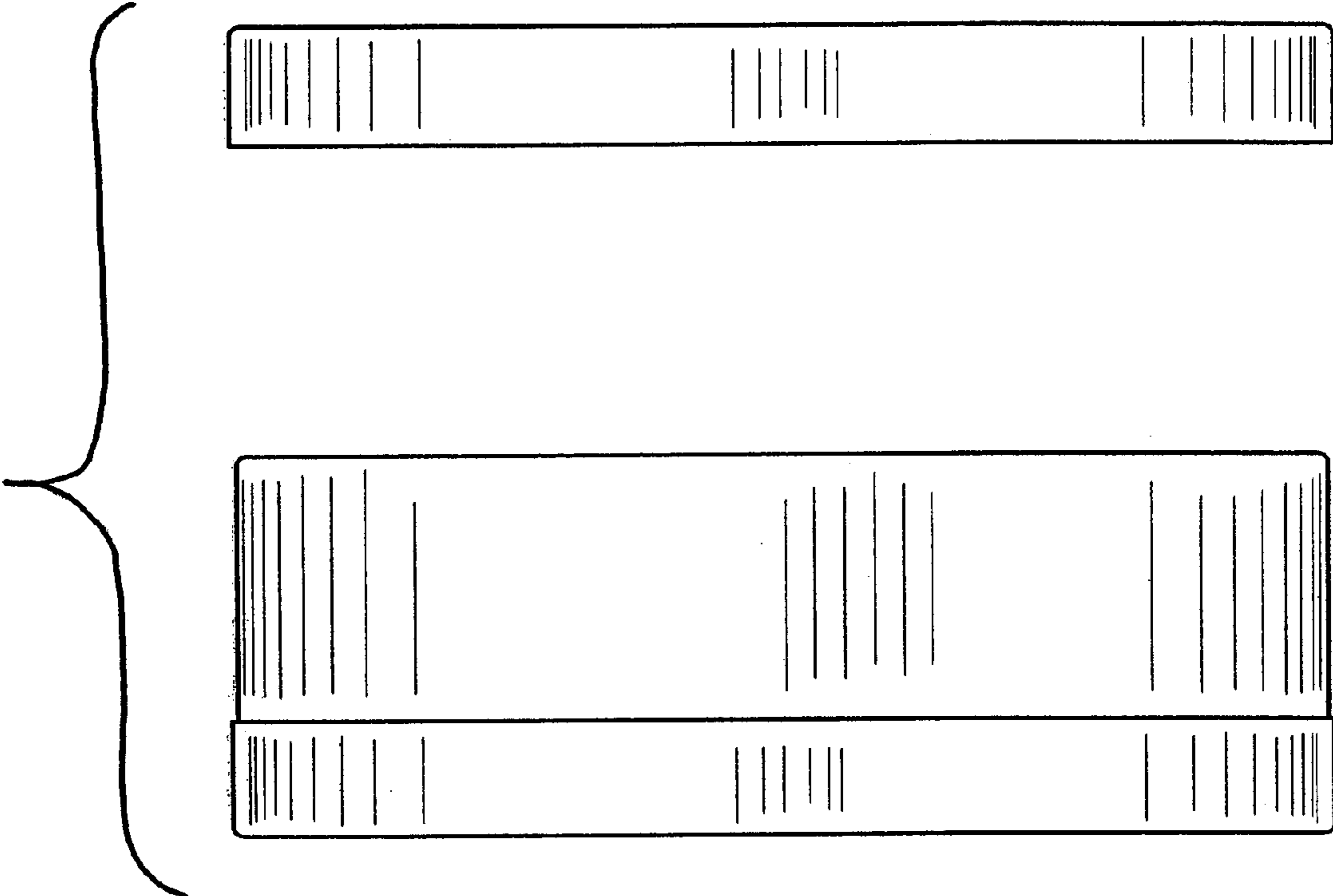


FIG. 7

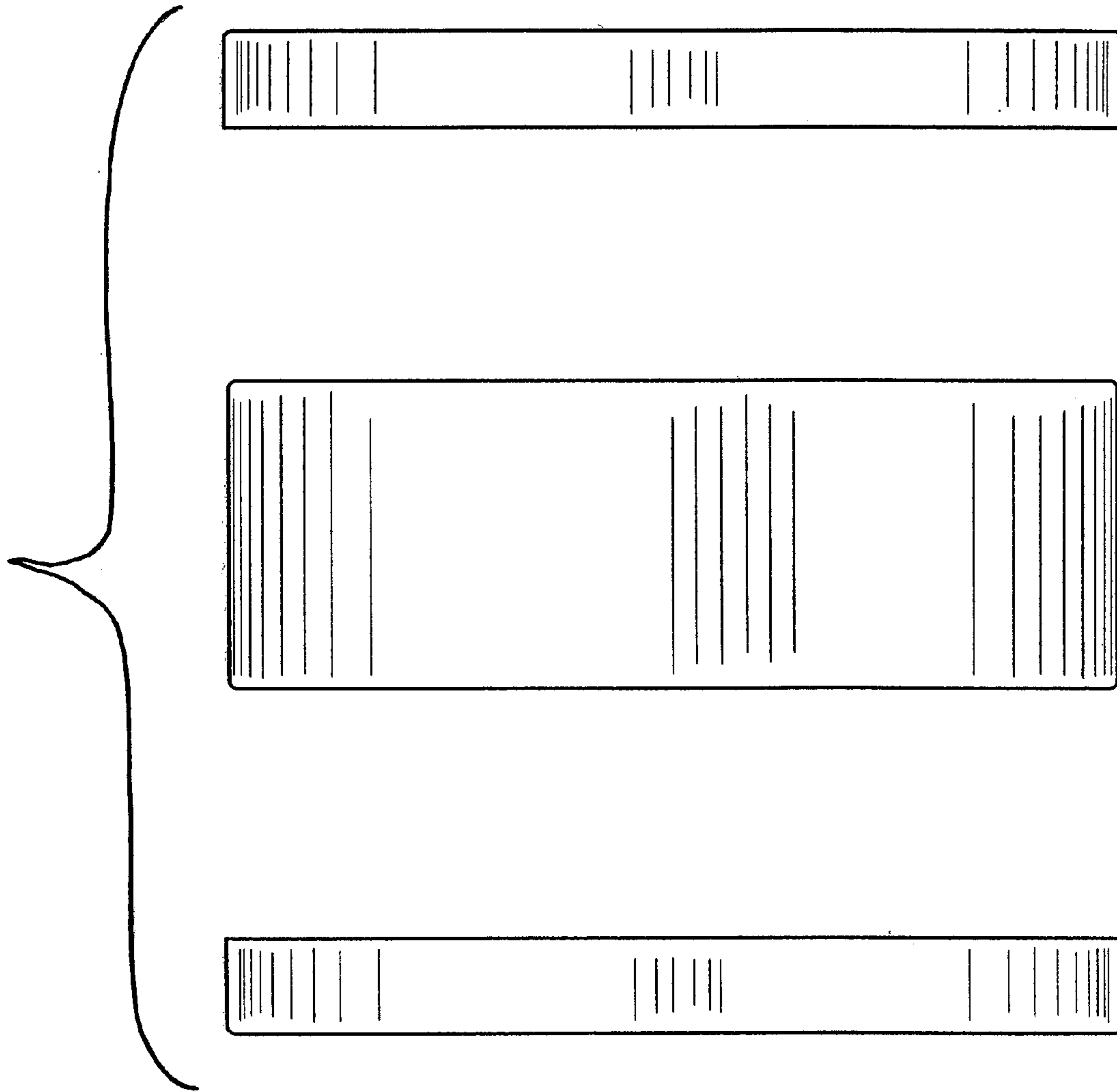


FIG. 8