



US00D514935S

(12) **United States Design Patent**
Sturk

(10) **Patent No.:** **US D514,935 S**

(45) **Date of Patent:** **** Feb. 14, 2006**

(54) **VENT PLUG WITH INTERNAL FRANGIBLE VALVE, INTERNAL LATCHES AND RESEALABLE CAP**

(75) Inventor: **Ron Sturk**, Brampton (CA)

(73) Assignee: **APC Products Limited**, Brampton (CA)

(**) Term: **14 Years**

(21) Appl. No.: **29/202,921**

(22) Filed: **Apr. 8, 2004**

(51) **LOC (8) Cl.** **09-07**

(52) **U.S. Cl.** **D9/449**

(58) **Field of Classification Search** D9/759,
D9/751, 741, 739, 737, 515, 499, 454, 453,
D9/434, 446-450, 439-440, 435, 436; D7/398,
D7/392; 383/80; 222/575, 566, 556, 553,
222/544-546, 491; 220/375

See application file for complete search history.

(56) **References Cited**

U.S. PATENT DOCUMENTS

3,462,048 A	*	8/1969	Henchert	222/546
D225,620 S	*	12/1972	Schmid	D9/453
3,758,000 A	*	9/1973	Mack	D9/450
D250,467 S	*	12/1978	O'Banion	D9/450
D277,724 S	*	2/1985	Daenen et al.	D9/450
D359,451 S	*	6/1995	Dees	D9/454

5,785,193 A	*	7/1998	Kobayashi et al.	215/223
D404,646 S	*	1/1999	Black et al.	D9/446
D405,692 S	*	2/1999	Johnson	D9/454
D409,043 S	*	5/1999	Lillelund et al.	D7/392
D412,265 S	*	7/1999	Hall, Jr.	D7/392
D445,337 S	*	7/2001	Croft et al.	D9/450

* cited by examiner

Primary Examiner—Robert M. Spear

Assistant Examiner—Susan Bennett Hattan

(74) *Attorney, Agent, or Firm*—Eugene J.A. Gierczak

(57) **CLAIM**

The ornamental design for the “vent plug with internal frangible valve, internal latches and resealable cap,” as shown and described.

DESCRIPTION

FIG. 1 is a front perspective view of the vent plug with internal frangible valve, internal latches and resealable cap. FIG. 2 is a side view of the vent plug with internal frangible valve, internal latches and resealable cap with partial cross-sectional view.

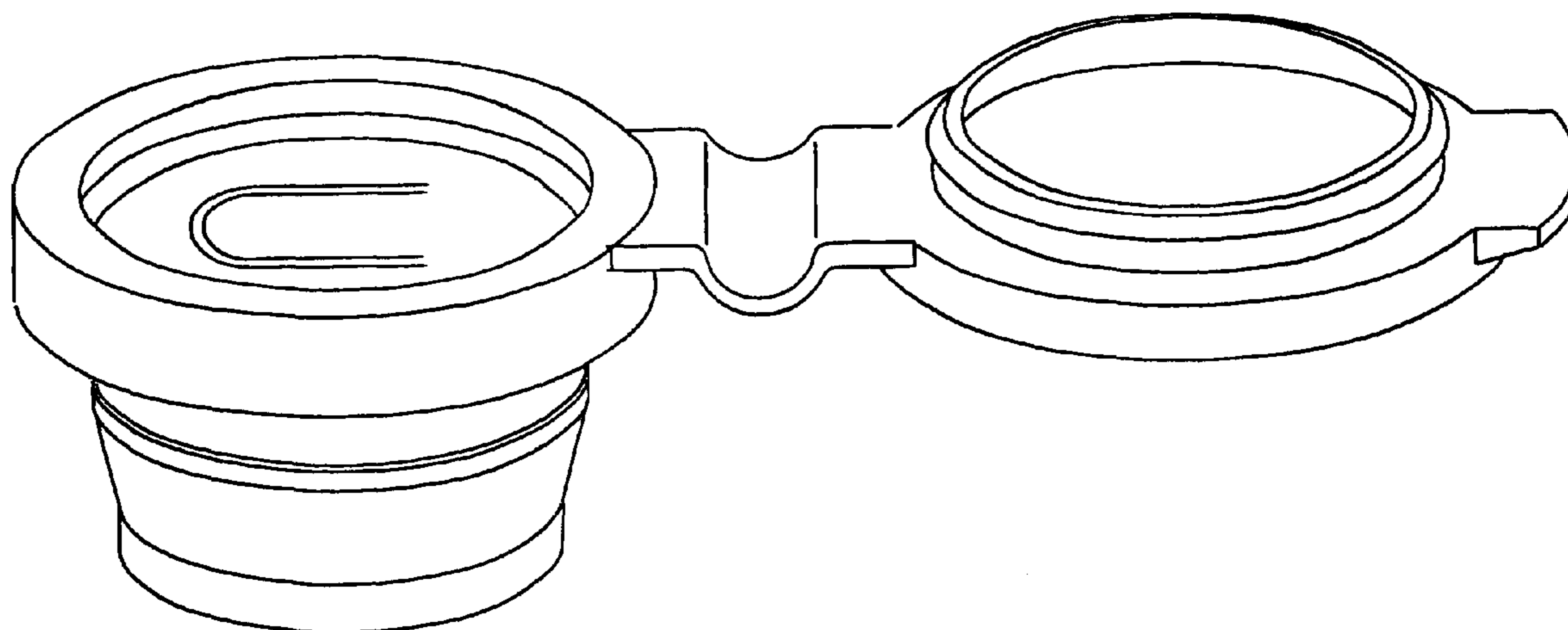
FIG. 3 is a side view thereof with a partial cross-sectional view showing the frangible valve in an open position.

FIG. 4 is a side view thereof with a partial cross-sectional view showing the frangible valve in an open position and rotation of the cap hinge.

FIG. 5 is a top view thereof; and,

FIG. 6 is a bottom view thereof.

1 Claim, 3 Drawing Sheets



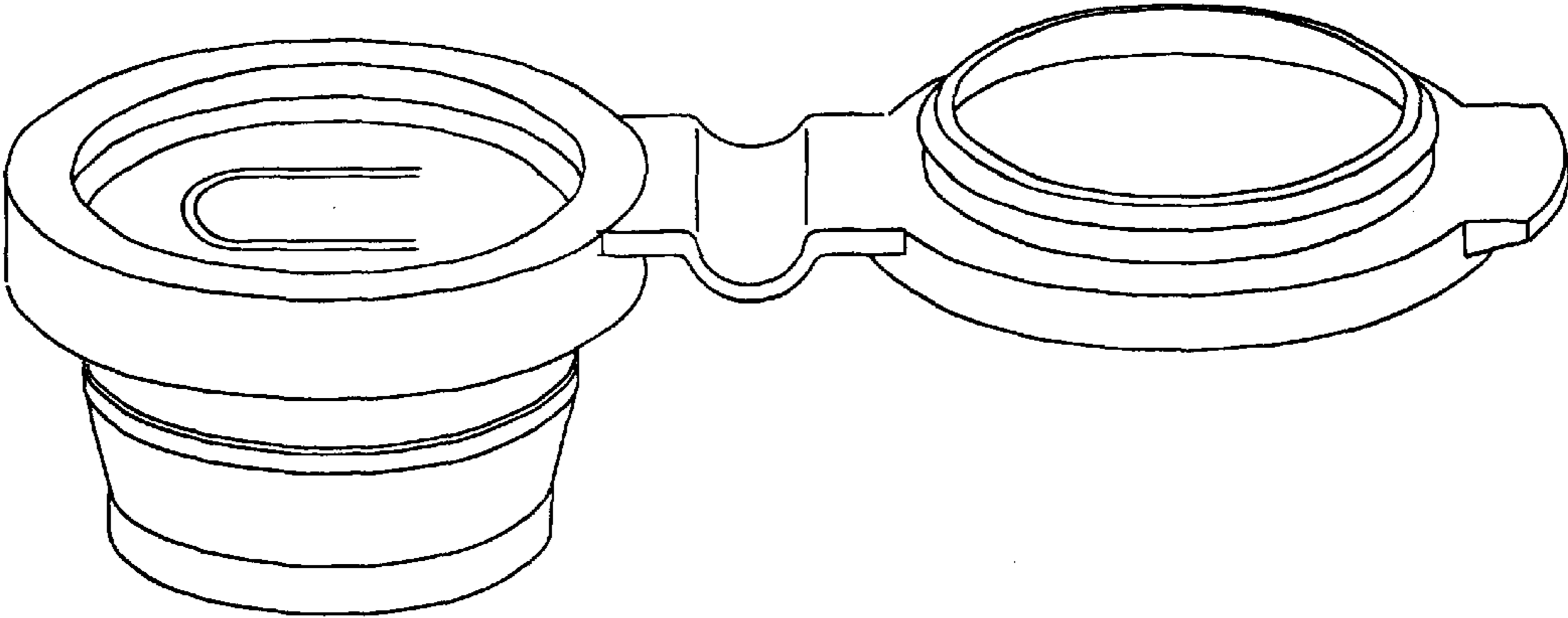


FIGURE 1

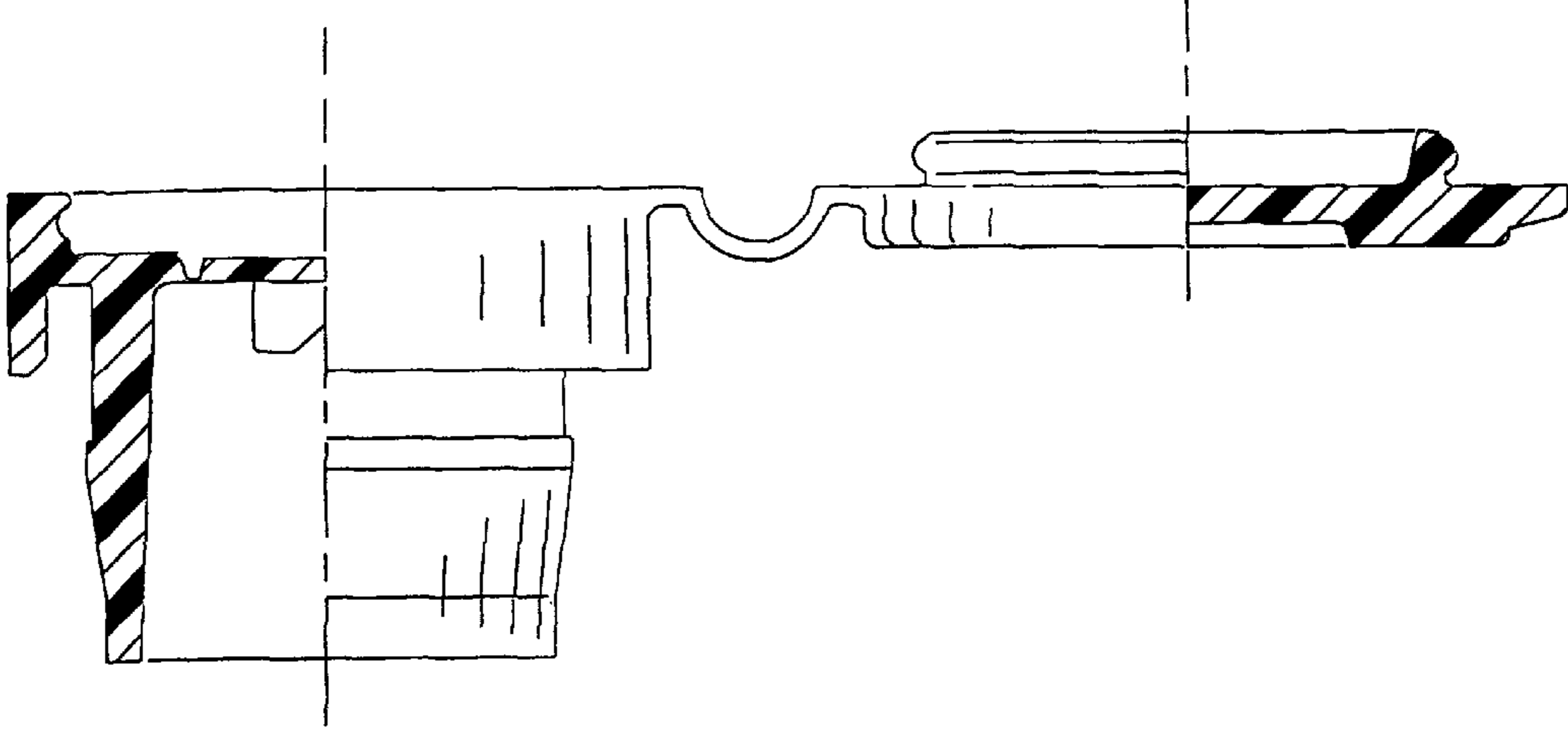


FIGURE 2

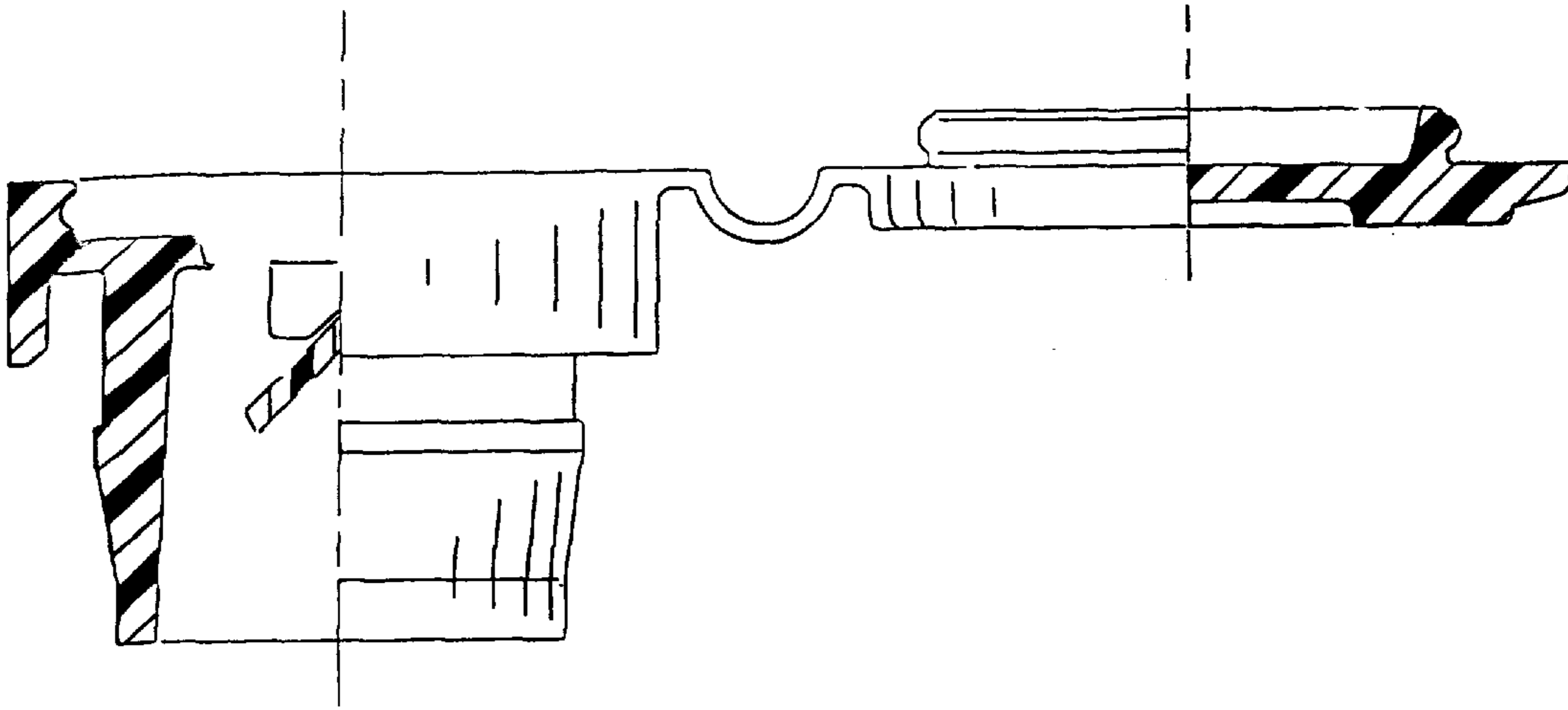


FIGURE 3

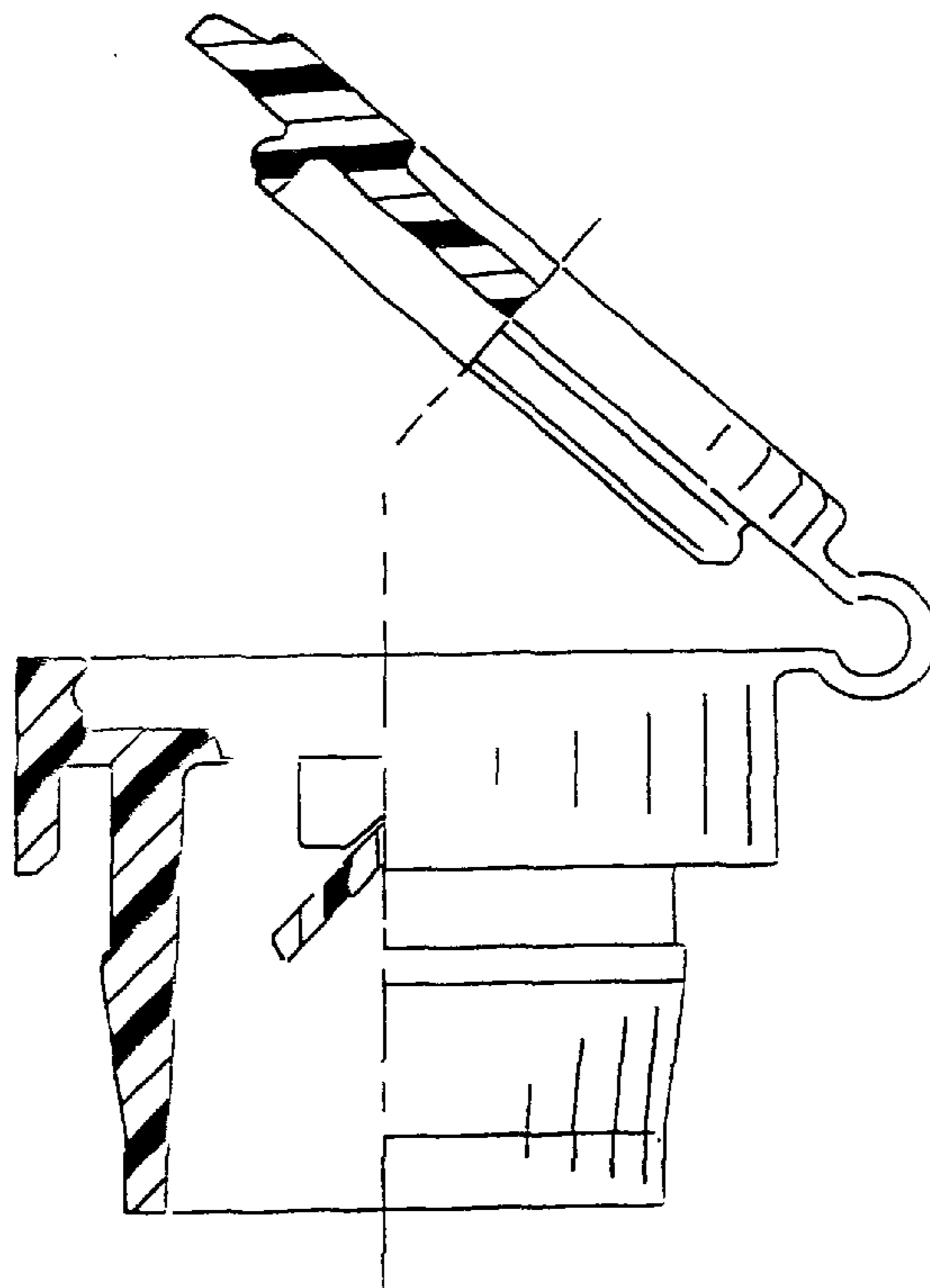


FIGURE 4

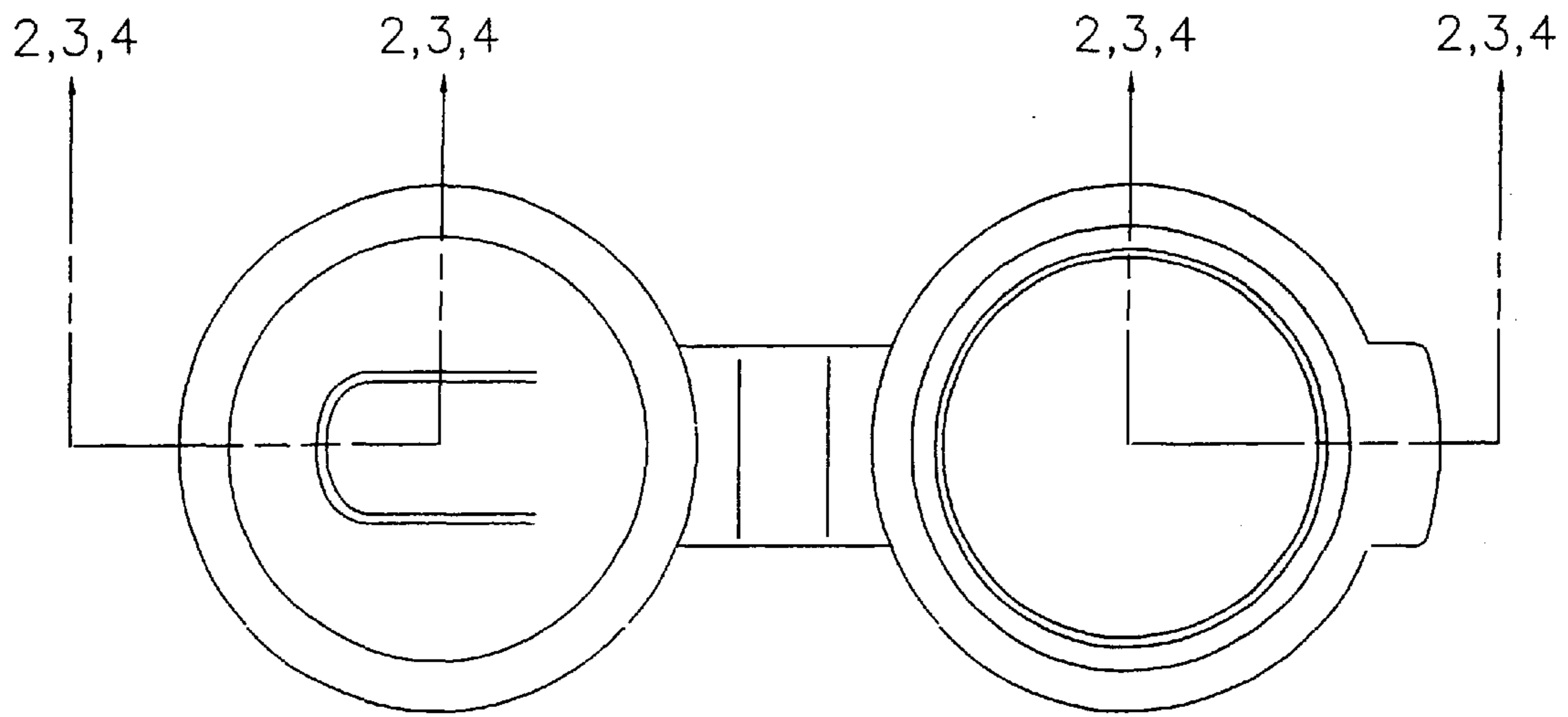


FIGURE 5

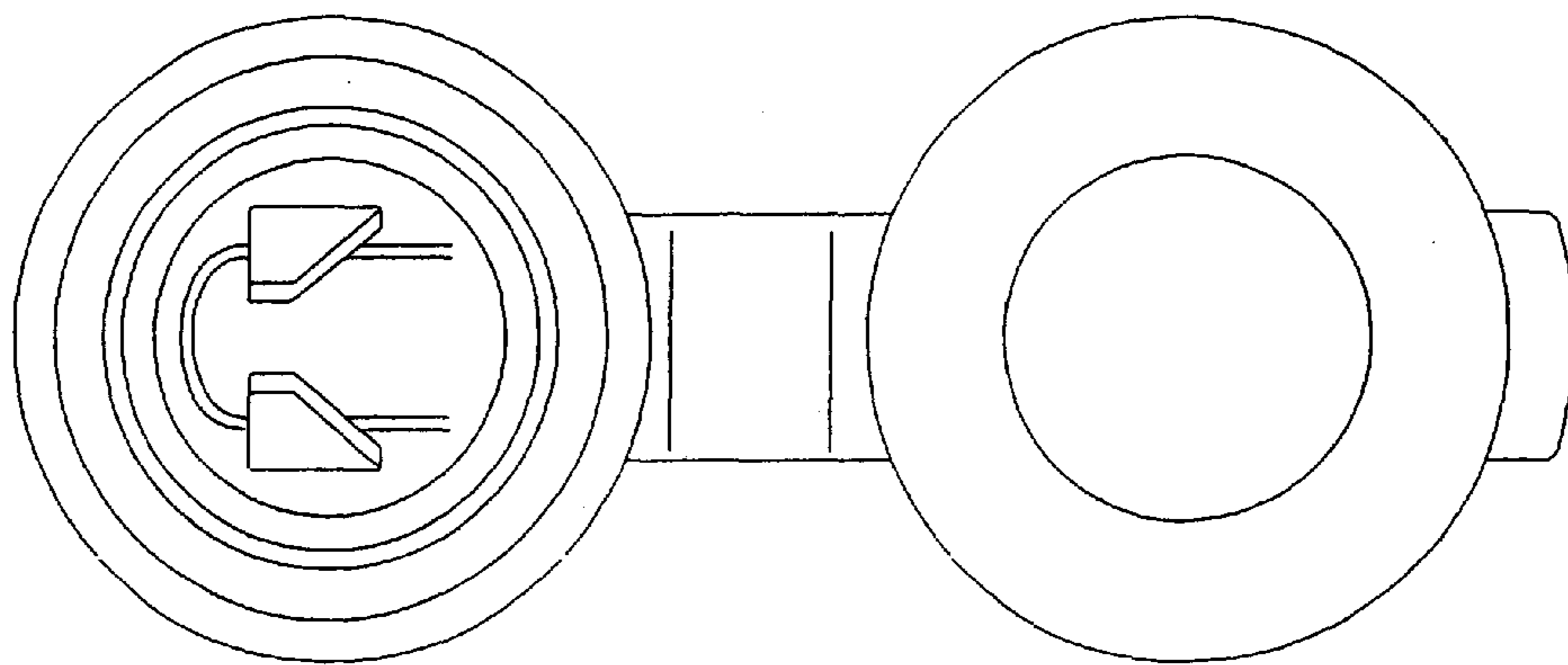


FIGURE 6