



US00D514933S

(12) **United States Design Patent**
Bitowft et al.

(10) **Patent No.: US D514,933 S**
(45) **Date of Patent: ** Feb. 14, 2006**

(54) **ERGONOMIC TRIGGER WITH GRIPPING ELEMENTS FOR A TRIGGER SPRAYER**

(75) Inventors: **Bruce K. Bitowft**, Oakland, CA (US);
Humberto F. Rodriguez, Oakland, CA (US);
Melissa Walden, Oakland, CA (US)

(73) Assignee: **The Clorox Company**, Oakland, CA (US)

(**) Term: **14 Years**

(21) Appl. No.: **29/199,804**

(22) Filed: **Feb. 10, 2004**

(51) **LOC (8) Cl.** **09-07**

(52) **U.S. Cl.** **D9/443; D9/448**

(58) **Field of Classification Search** D9/448,
D9/447, 435; D8/88, 303; D23/227, 226,
D23/223, 213; 239/526, 525, 333; 222/402.15,
222/402.1, 383.1, 153.11; 169/88

See application file for complete search history.

(56) **References Cited**

U.S. PATENT DOCUMENTS

D159,989 S	*	9/1950	Jones	D7/393
D192,866 S	*	5/1962	Crenshaw	D8/303
D300,506 S	*	4/1989	Pedone	D8/303
5,172,836 A		12/1992	Warner	222/383
D376,318 S	*	12/1996	Hildebrand	D9/448
5,579,902 A		12/1996	Kress	200/522
5,695,095 A		12/1997	Hildebrand	222/383.1
5,762,236 A		6/1998	Foster et al.	222/383.1
5,824,982 A		10/1998	Kress	200/333

D417,151 S	*	11/1999	Spengler	D9/448
D422,682 S	*	4/2000	Ericksen	D23/226
D488,535 S	*	4/2004	Foster et al.	D23/226
D501,538 S	*	2/2005	Zeng	D23/226
2003/0070259 A1		4/2003	Brown et al.	16/436

FOREIGN PATENT DOCUMENTS

WO WO 97/19016 5/1997

* cited by examiner

Primary Examiner—Robert M. Spear

Assistant Examiner—Susan Bennett Hattan

(74) *Attorney, Agent, or Firm*—Monica Winghart

(57) **CLAIM**

The ornamental design for an ergonomic trigger with gripping elements for a trigger sprayer, as shown and described.

DESCRIPTION

The application relates to an ergonomic trigger for use with a trigger sprayer.

FIG. 1 is a perspective view of an ergonomic trigger with gripping elements for a trigger sprayer showing my new design;

FIG. 2 is a front elevation view thereof,

FIG. 3 is a rear elevation view thereof;

FIG. 4 is a right side elevation view thereof,

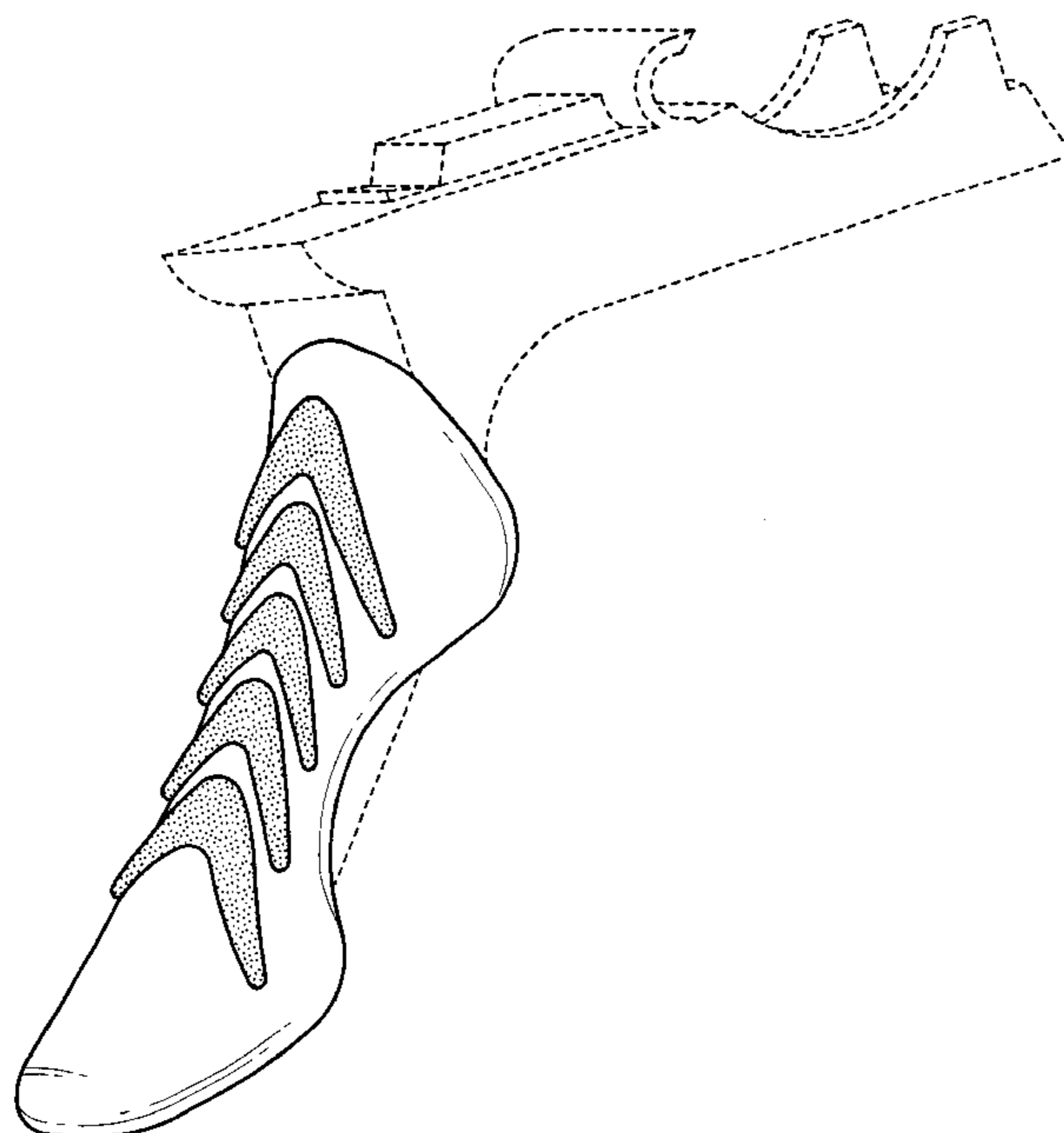
FIG. 5 is a left side elevation view thereof,

FIG. 6 is a bottom plan view thereof; and,

FIG. 7 is a top plan view thereof.

The broken lines showing the arm of the sprayer in the drawings are environmental only and form no part of the claimed design.

1 Claim, 4 Drawing Sheets



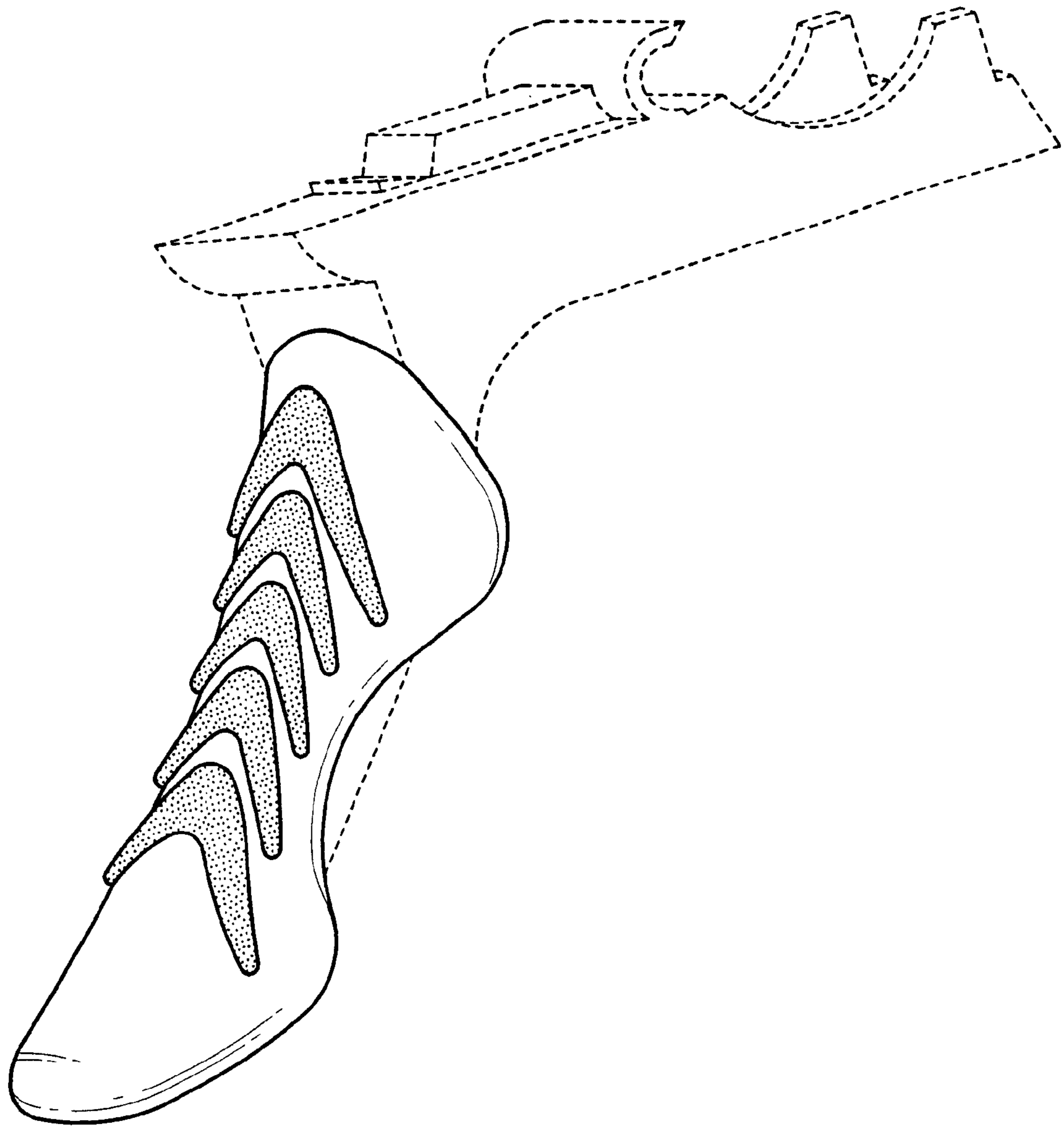


FIG. 1

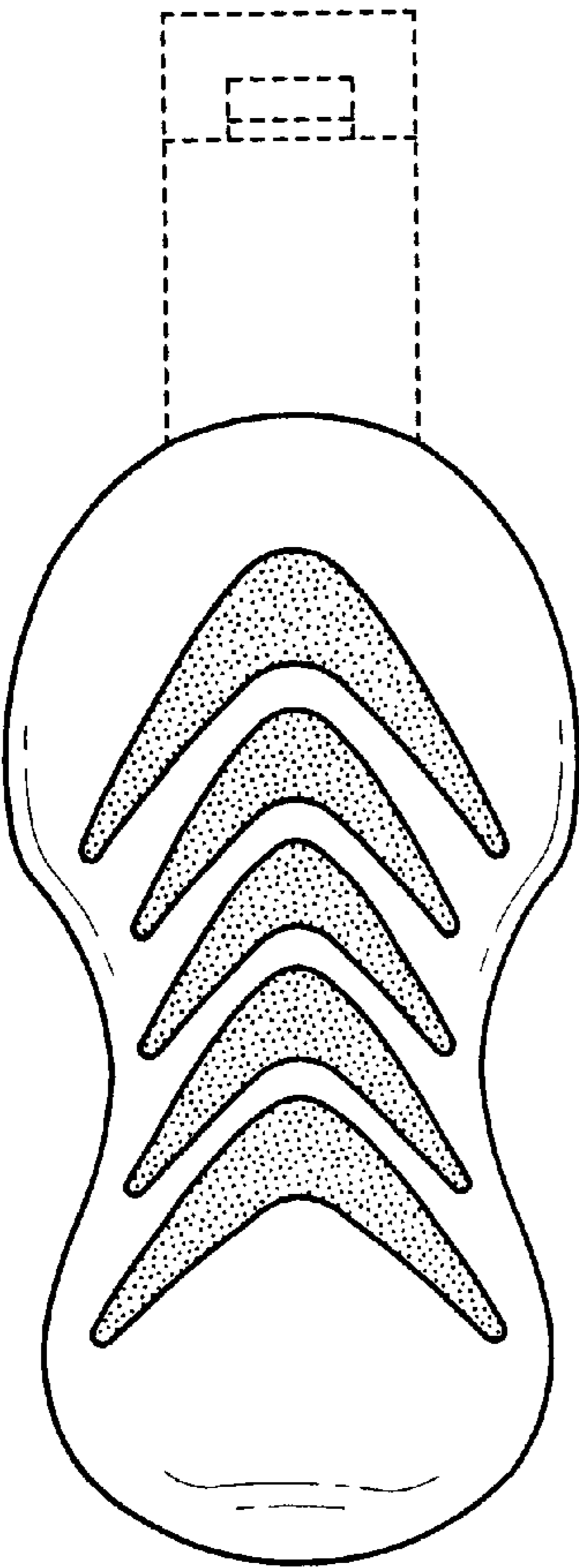


FIG. 2

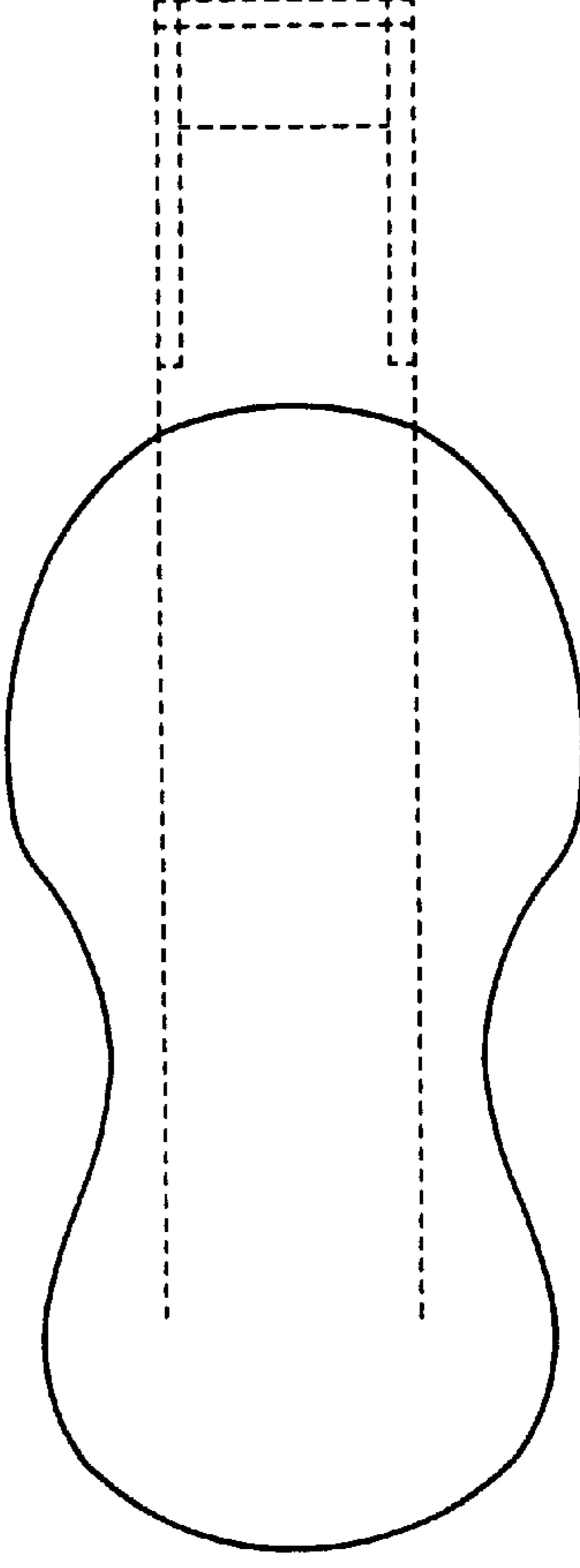


FIG. 3

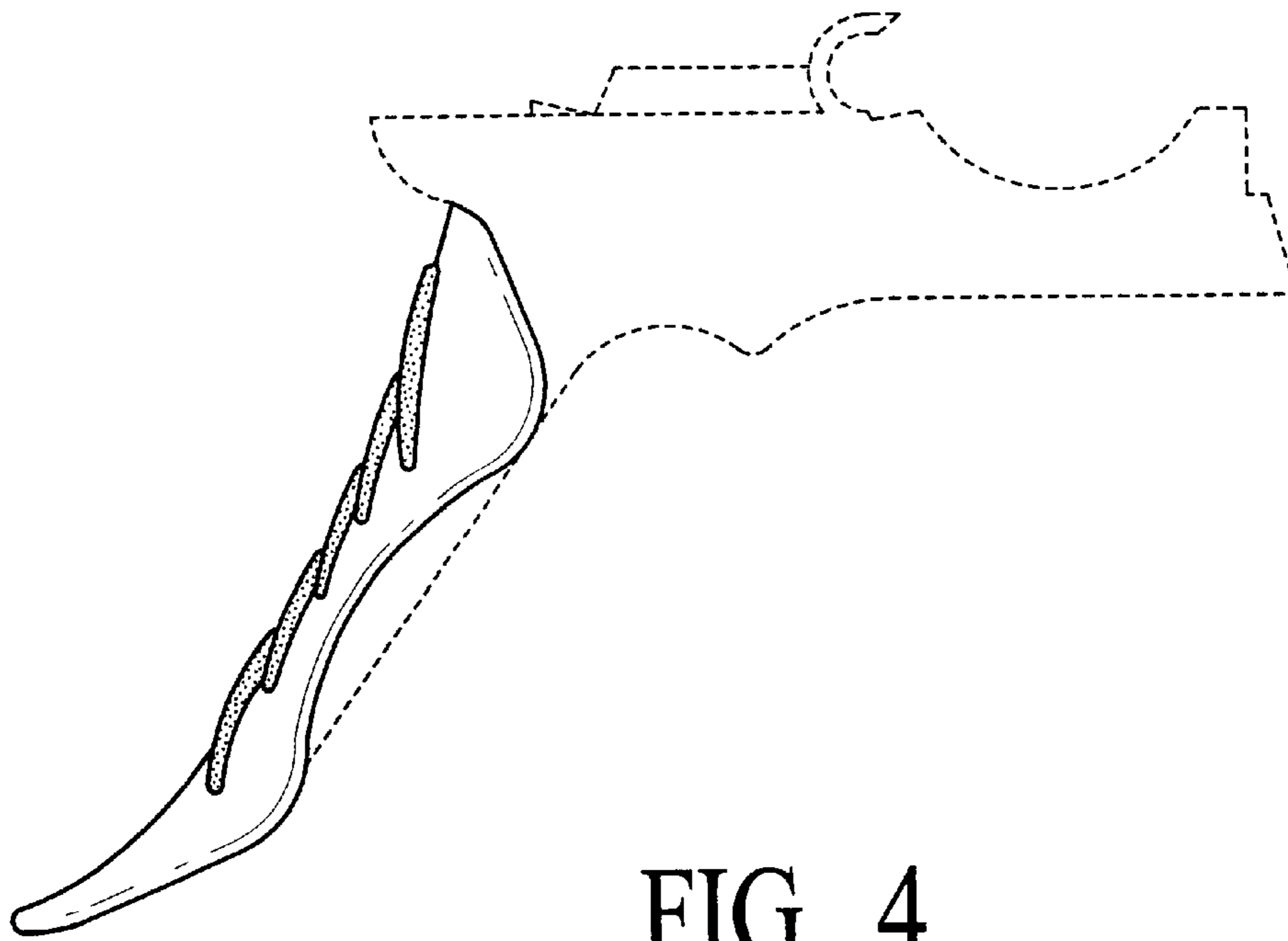


FIG. 4

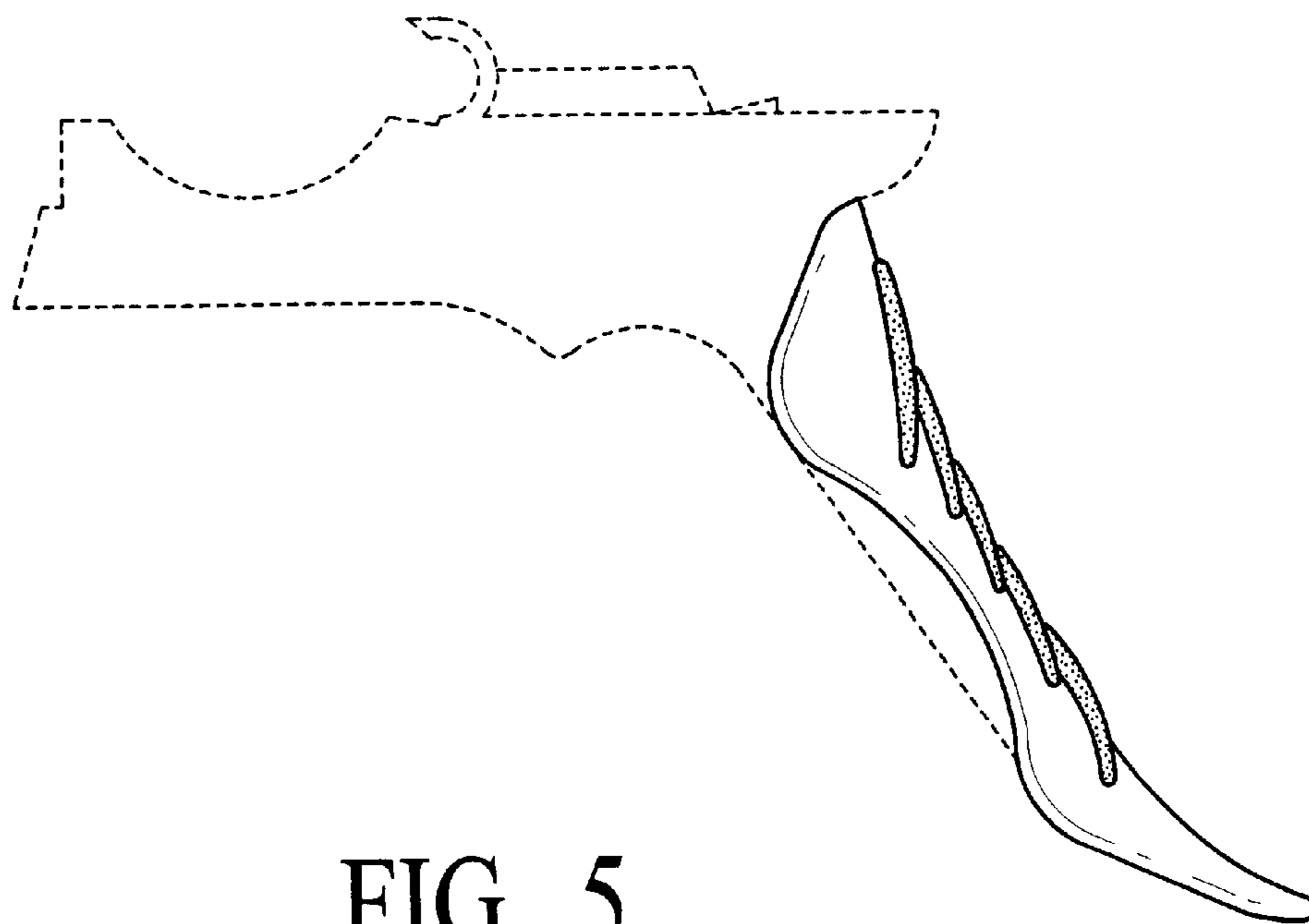


FIG. 5

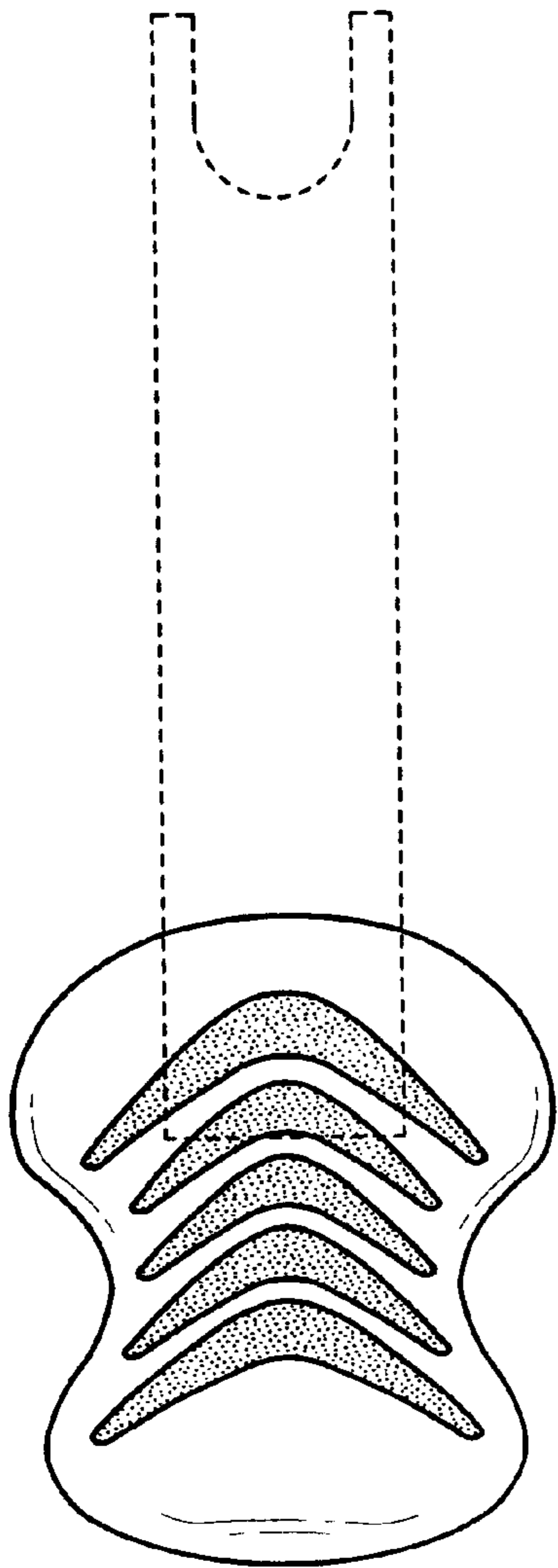


FIG. 6

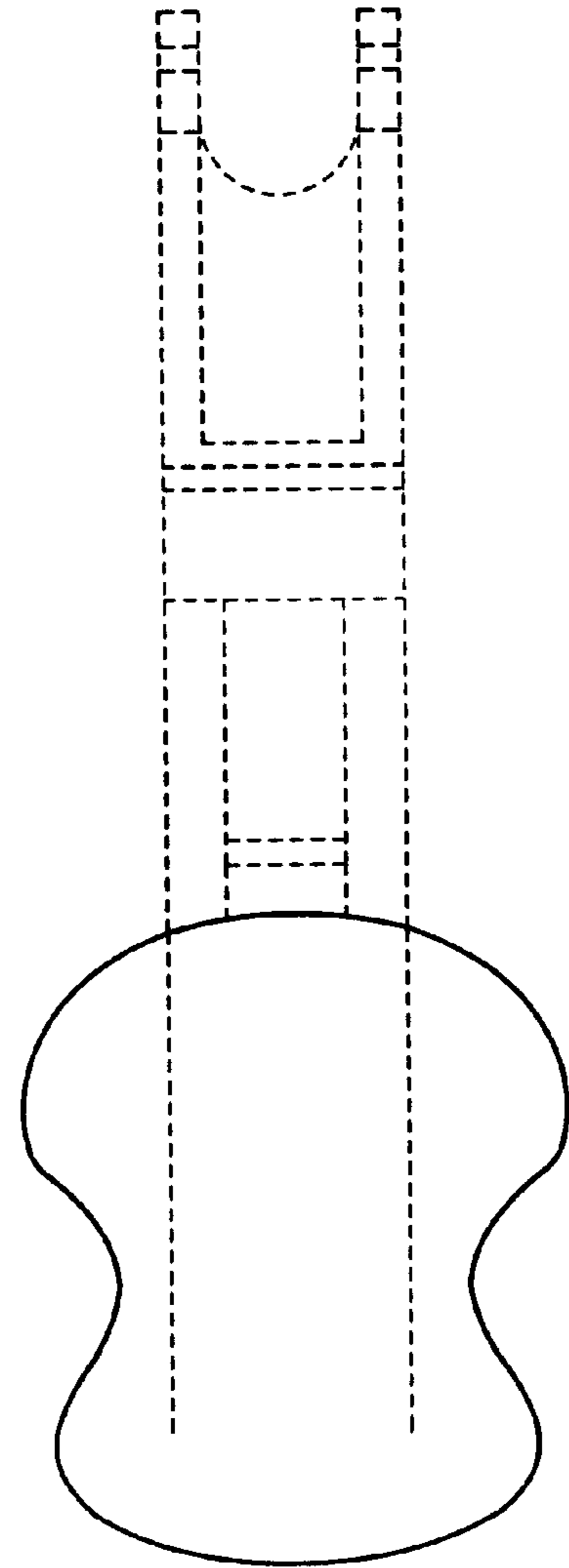


FIG. 7