

US00D514932S

(12) **United States Design Patent** (10) **Patent No.:** **US D514,932 S**  
**Sambrailo et al.** (45) **Date of Patent:** **\*\* Feb. 14, 2006**

(54) **VENTILATION SLOT FOR A PRODUCE PACKAGING CONTAINER**

5,167,325 A \* 12/1992 Sykora ..... 206/143  
5,823,387 A \* 10/1998 Manadanas et al. .... 222/1

(75) Inventors: **Mark Sambrailo**, Watsonville, CA (US); **Anthony Cadiente**, Salinas, CA (US); **William Sambrailo**, Aptos, CA (US)

\* cited by examiner

*Primary Examiner*—Robert M. Spear  
*Assistant Examiner*—Susan Bennett Hattan  
(74) *Attorney, Agent, or Firm*—Beyer Weaver & Thomas, LLP

(73) Assignee: **Sambrailo Packaging, Inc.**, Watsonville, CA (US)

(57) **CLAIM**

(\*\*) Term: **14 Years**

We claim the ornamental design for a ventilation slot for a produce packaging container, substantially as shown and described.

(21) Appl. No.: **29/180,937**

(22) Filed: **May 2, 2003**

**DESCRIPTION**

**Related U.S. Application Data**

(63) Continuation of application No. 10/017,893, filed on Dec. 12, 2001, which is a continuation-in-part of application No. 09/590,631, filed on Jun. 8, 2000, now abandoned, which is a continuation of application No. 09/060,453, filed on Apr. 14, 1998, now Pat. No. 6,074,676, which is a continuation of application No. 08/591,000, filed on Jan. 24, 1996, now Pat. No. 5,738,890.

FIG. 1 is a perspective view of a closed packaging container (depicted in the dashed lines) that includes ventilation slots of the claimed design.

(51) **LOC (8) Cl.** ..... **09-07**

(52) **U.S. Cl.** ..... **D9/434**

(58) **Field of Classification Search** ..... 206/175, 206/176, 143; 264/328.14; 222/1; D10/64; D9/434

FIG. 2 is a right side view of a closed packaging container (depicted in the dashed lines) that depicts a ventilation slot of the claimed design.

FIG. 3 is a left side view of a closed packaging container (depicted in the dashed lines) that depicts a ventilation slot of the claimed design.

See application file for complete search history.

FIG. 4 is a front side view of a closed packaging container (depicted in the dashed lines) that depicts a ventilation slot of the claimed design.

FIG. 5 is a front side view of a closed packaging container (depicted in the dashed lines) that depicts another embodiment of ventilation slots of the claimed design; and,

(56) **References Cited**

**U.S. PATENT DOCUMENTS**

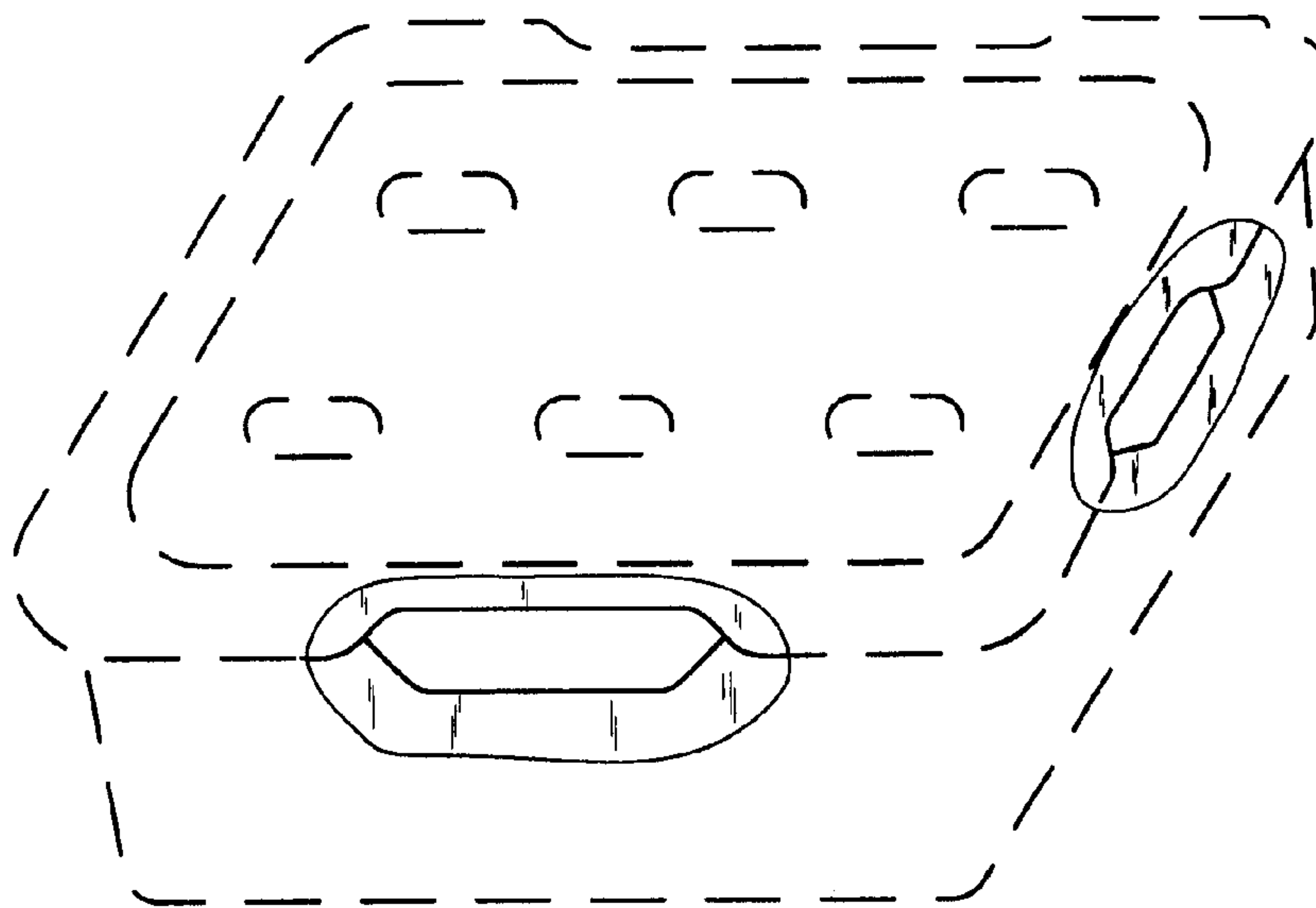
D136,655 S \* 11/1943 Eilert ..... D10/64  
2,653,750 A \* 9/1953 Vines ..... 206/175  
D204,017 S \* 3/1966 Goldman ..... D10/64  
D221,993 S \* 9/1971 Crawford ..... D10/64  
4,362,240 A \* 12/1982 Elward ..... 206/176  
4,738,817 A \* 4/1988 Wittwer et al. .... 264/328.14

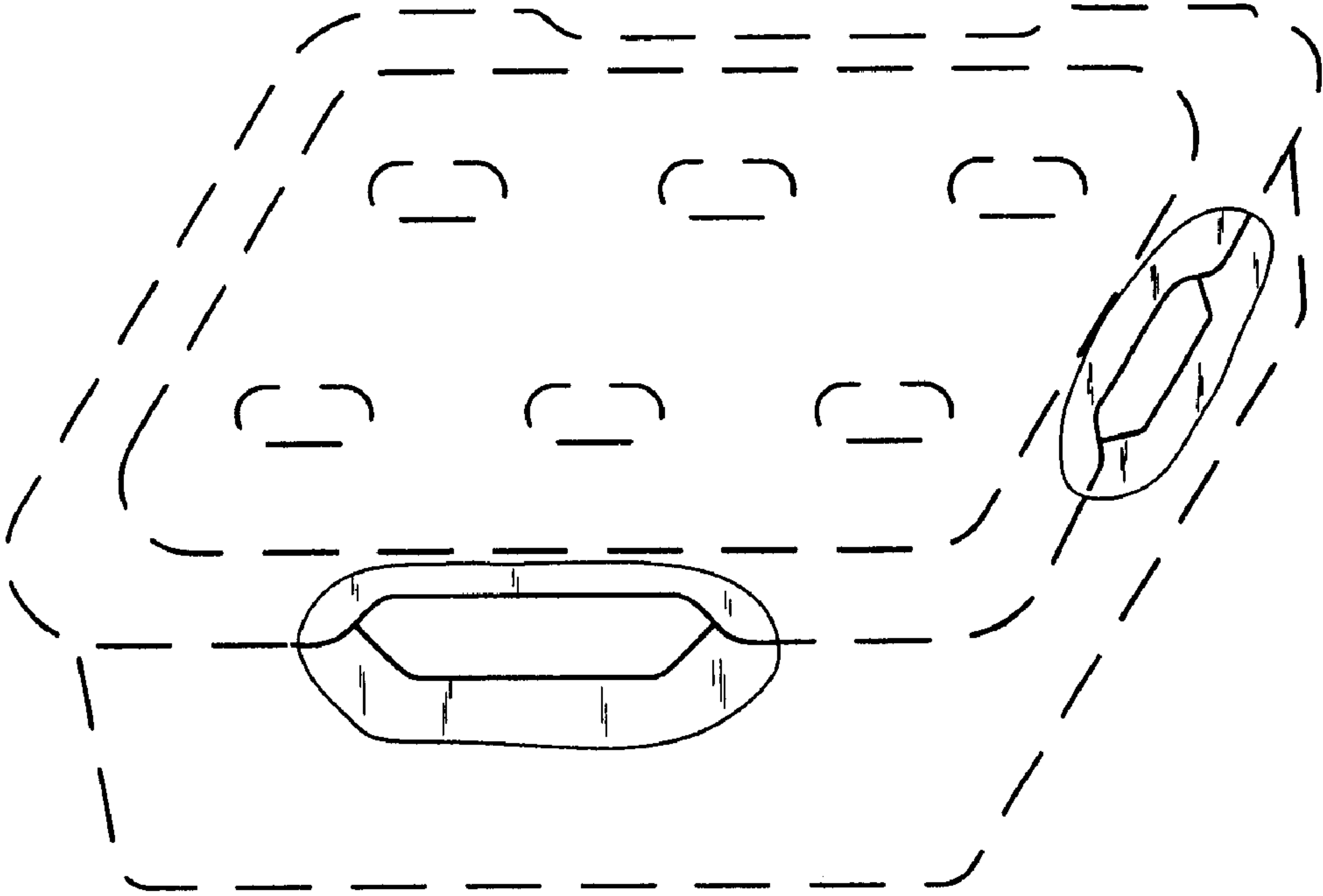
FIG. 6 is a front side view of a closed packaging container (depicted in the dashed lines) that depicts another embodiment of ventilation slots of the claimed design.

The solid line depicting the outer boundary of the claimed portion of the design forms no part of the claim.

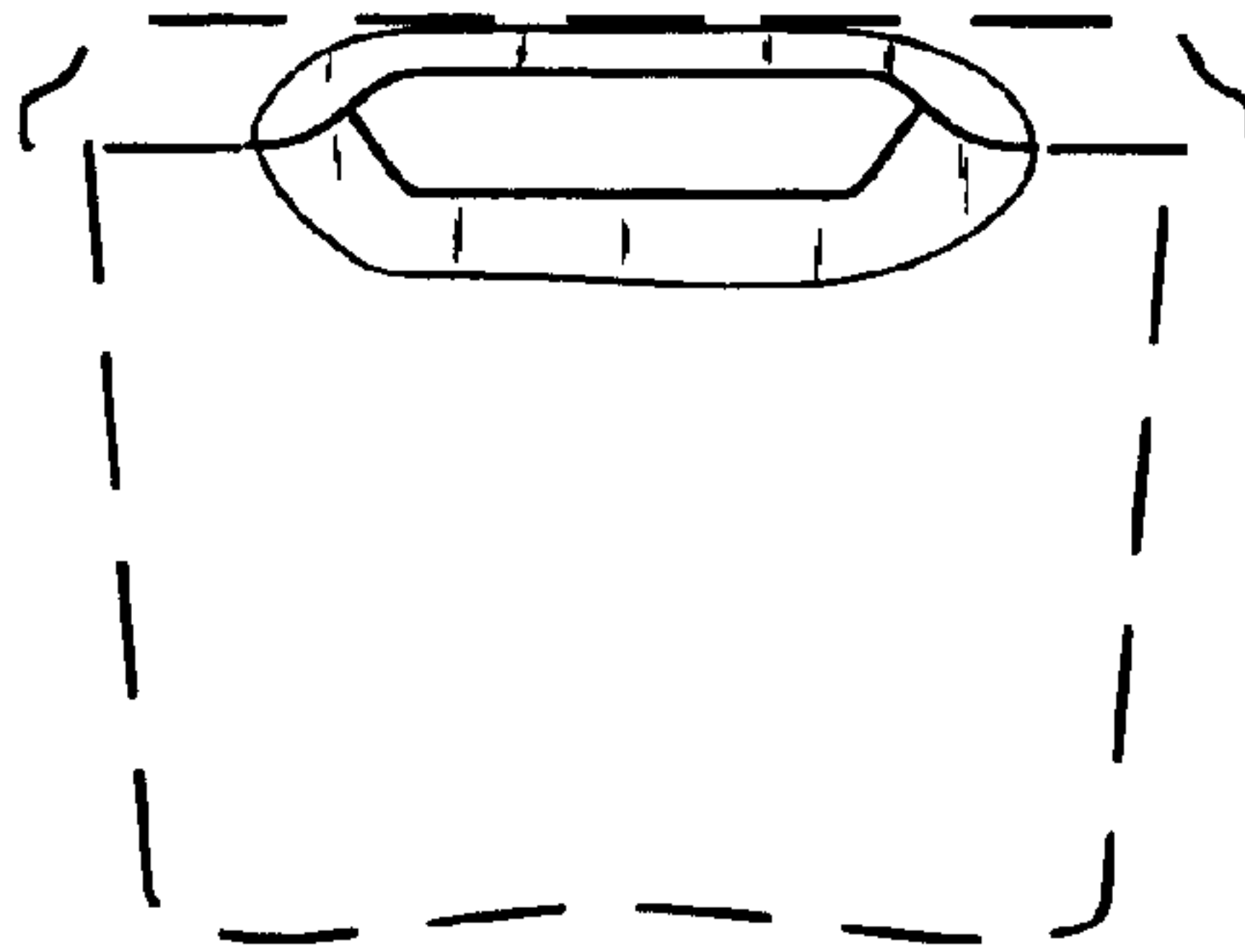
The broken line showing the closed packaging container is for illustrative purposes only and forms no part of the claimed design.

**1 Claim, 3 Drawing Sheets**

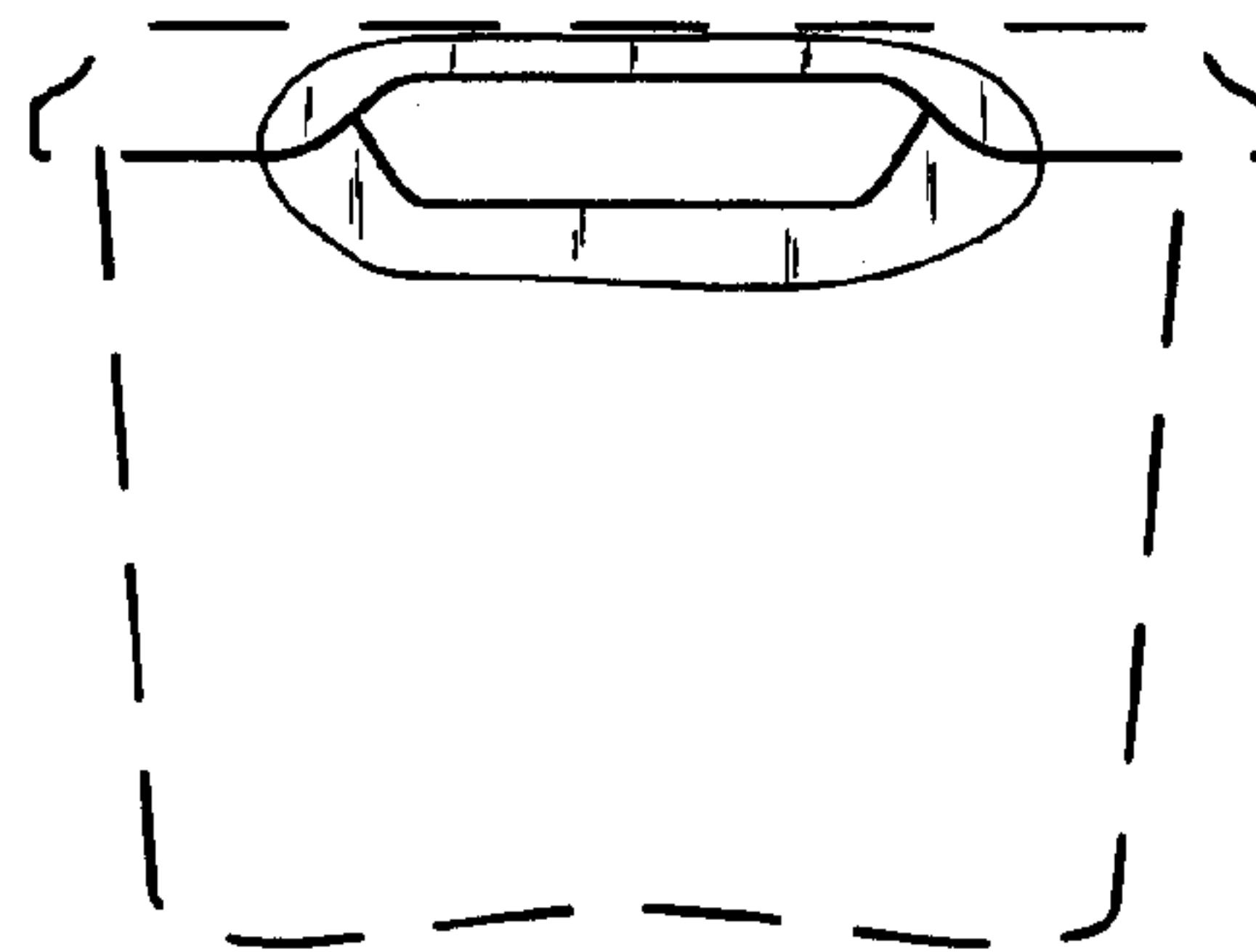




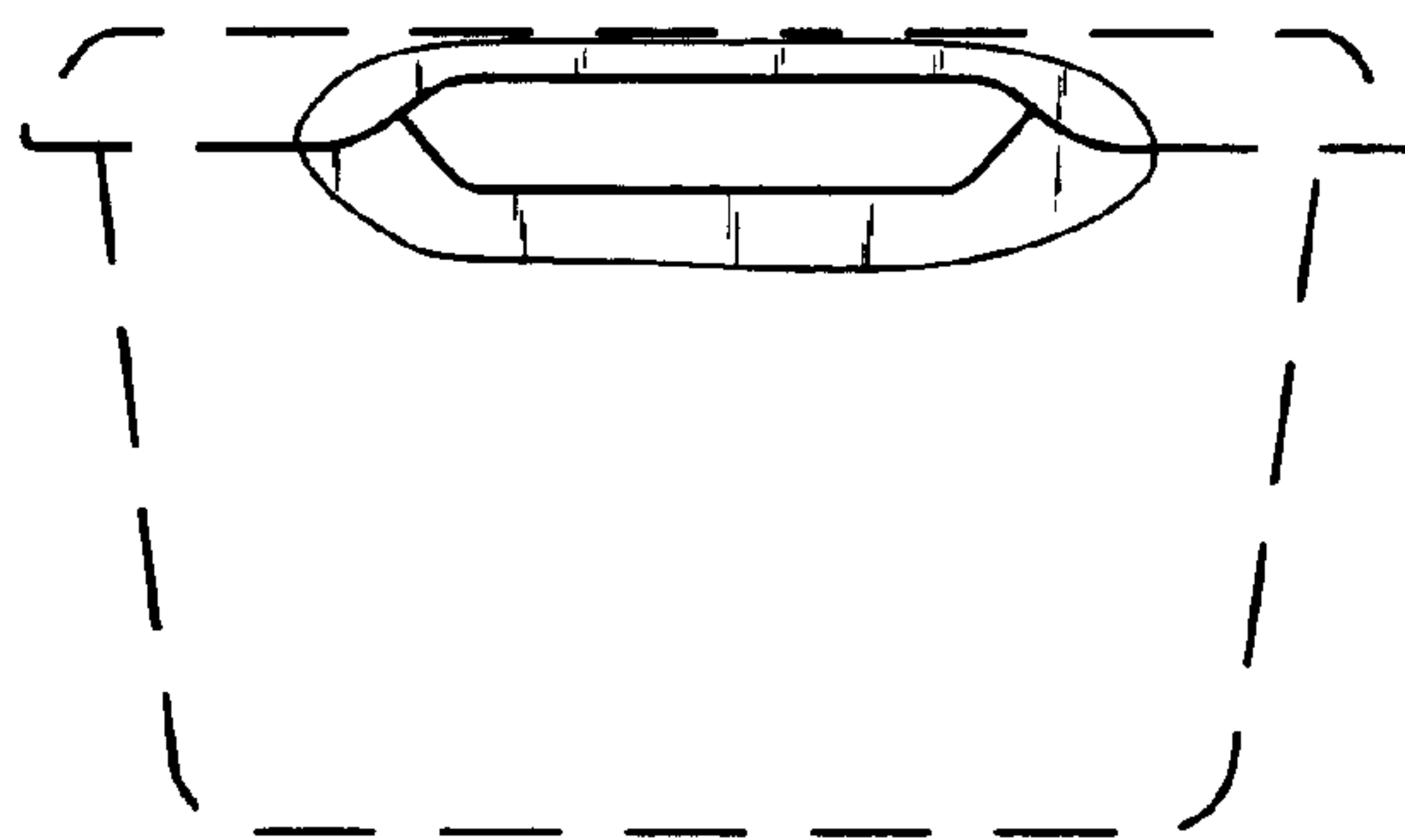
**Fig. 1**



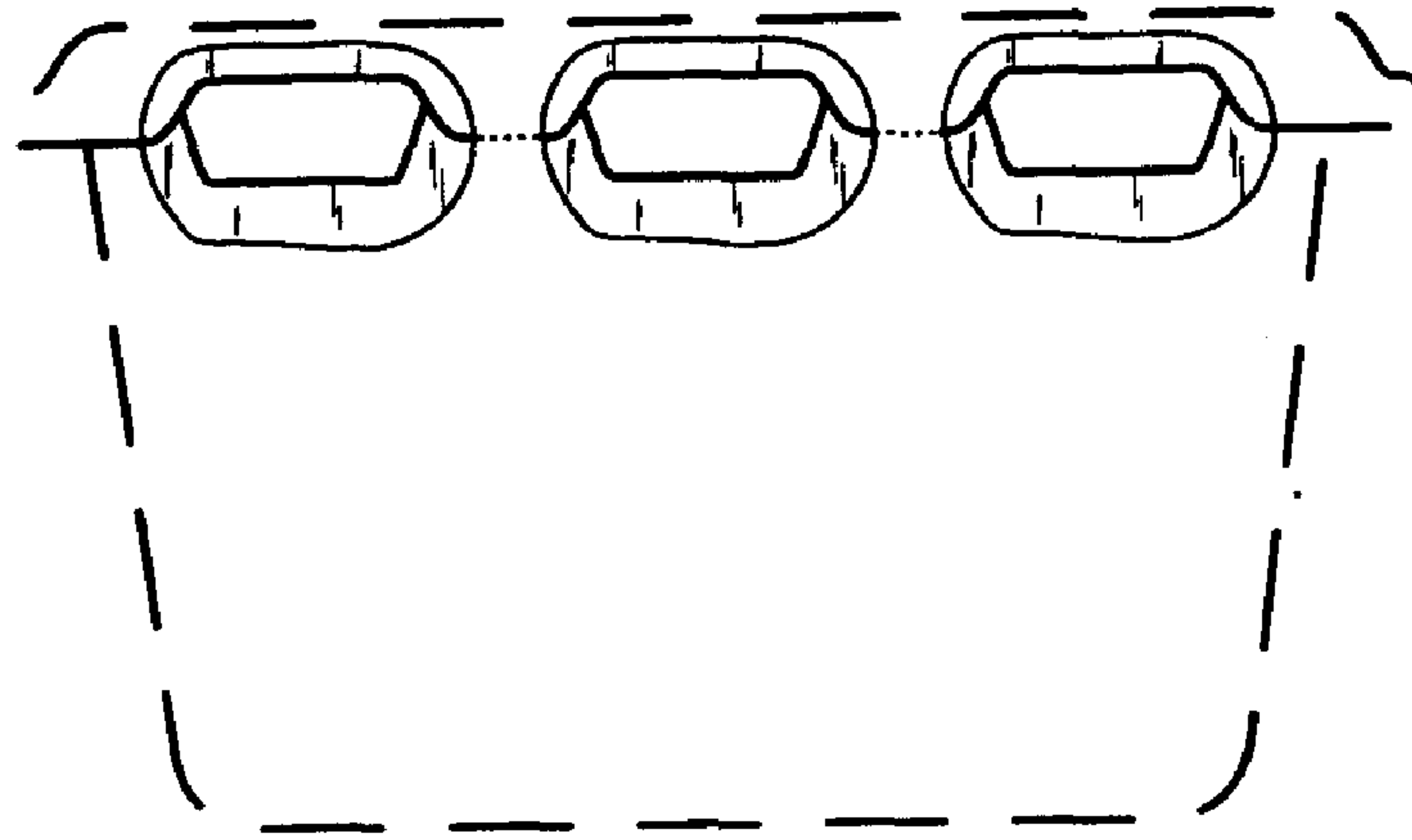
**Fig. 2**



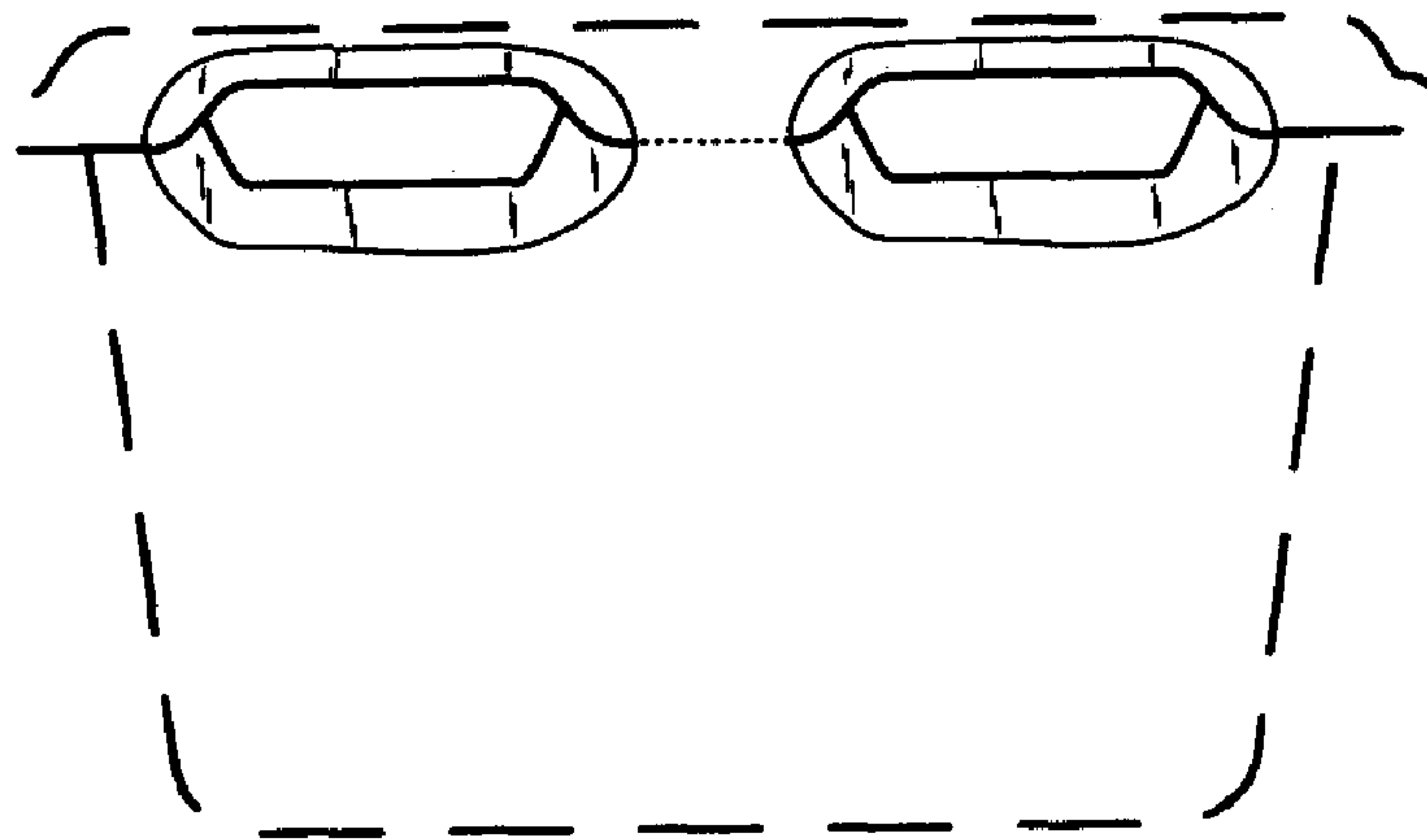
**Fig. 3**



**Fig. 4**



**Fig. 5**



**Fig. 6**