



US00D514926S

(12) **United States Design Patent**
Wu

(10) **Patent No.:** **US D514,926 S**
(45) **Date of Patent:** **** Feb. 14, 2006**

(54) **CLIP**

(76) Inventor: **Chao-Jung Wu**, No. 185, Chien Ping
3rd St., Tainan (TW)

(**) Term: **14 Years**

(21) Appl. No.: **29/207,838**

(22) Filed: **Jun. 21, 2004**

(51) **LOC (8) Cl.** **08-08**

(52) **U.S. Cl.** **D8/395**

(58) **Field of Classification Search** D8/356,
D8/371, 394-396, 499, 53, 100, 365; D12/51;
D19/65; D28/39, 40, 42; 24/546, 563, 327,
24/334, DIG. 8, DIG. 9, DIG. 13, DIG. 28;
248/74.2, 300, 301, 316.7, 229.26

See application file for complete search history.

(56) **References Cited**

U.S. PATENT DOCUMENTS

D450,571 S * 11/2001 Chen D8/395

* cited by examiner

Primary Examiner—Doris Clark
Assistant Examiner—John Windmuller

(74) *Attorney, Agent, or Firm*—Rosenberg, Klein & Lee

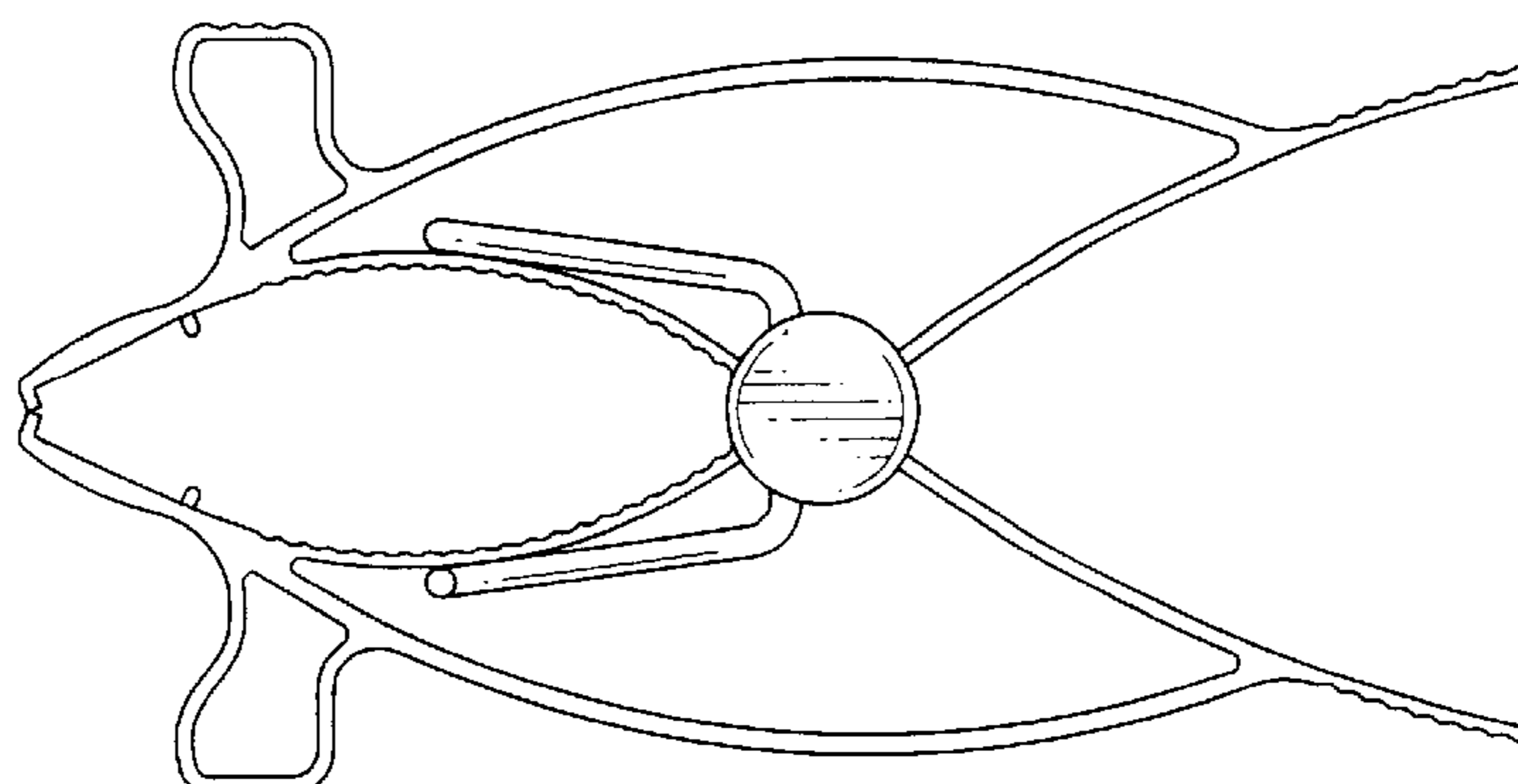
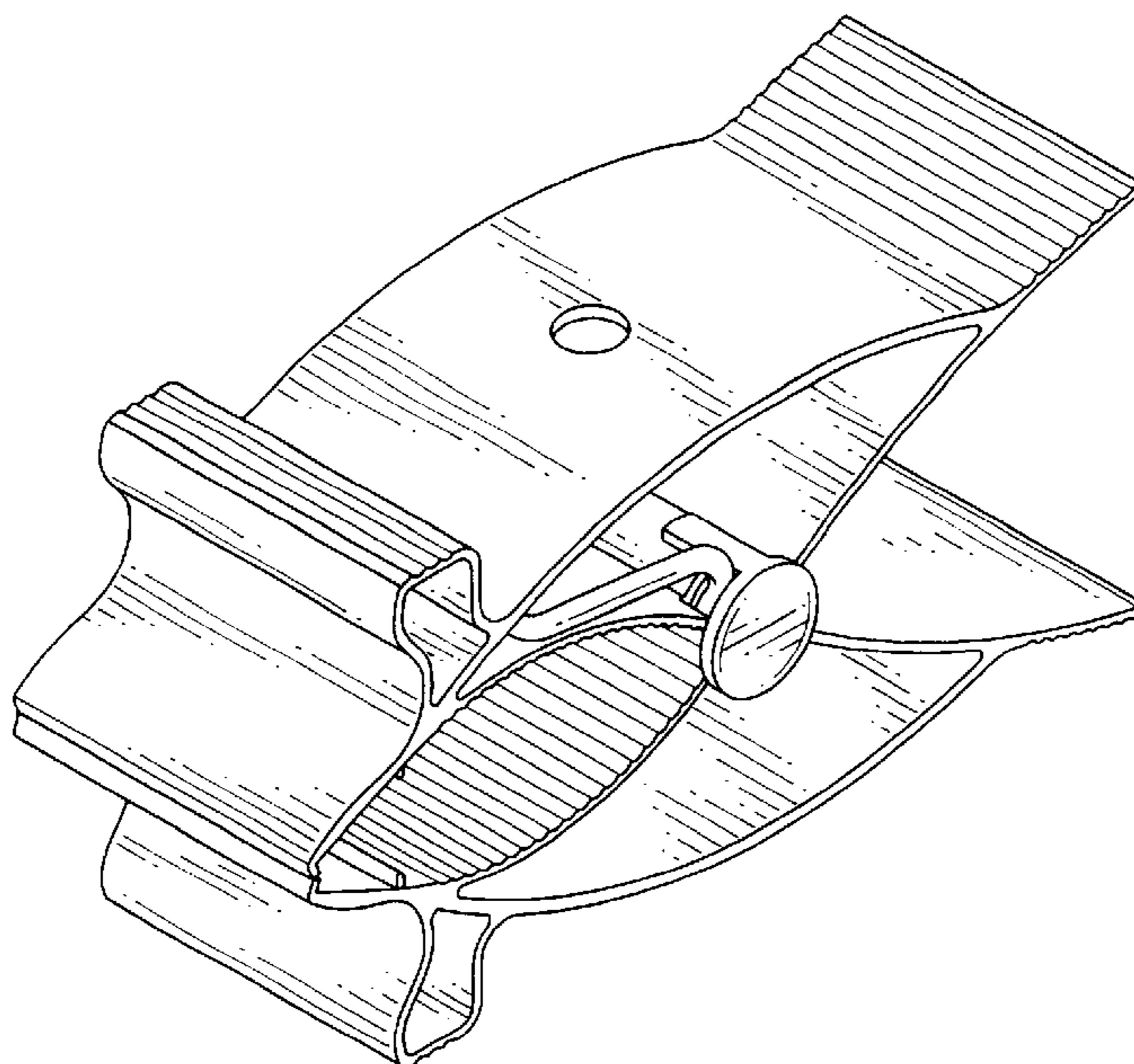
(57) **CLAIM**

The ornamental design for a clip, as shown and described.

DESCRIPTION

FIG. 1 is a front perspective view of a clip showing my new design;
FIG. 2 is a front elevational view thereof;
FIG. 3 is a rear elevational view thereof;
FIG. 4 is a left elevational view thereof;
FIG. 5 is a right elevational view thereof;
FIG. 6 is a top plan view thereof;
FIG. 7 is a bottom plan view thereof; and,
FIG. 8 is an alternate view thereof showing the clip in use, wherein the broken lines are for environmental purposes only and form no part of the claimed design.

1 Claim, 4 Drawing Sheets



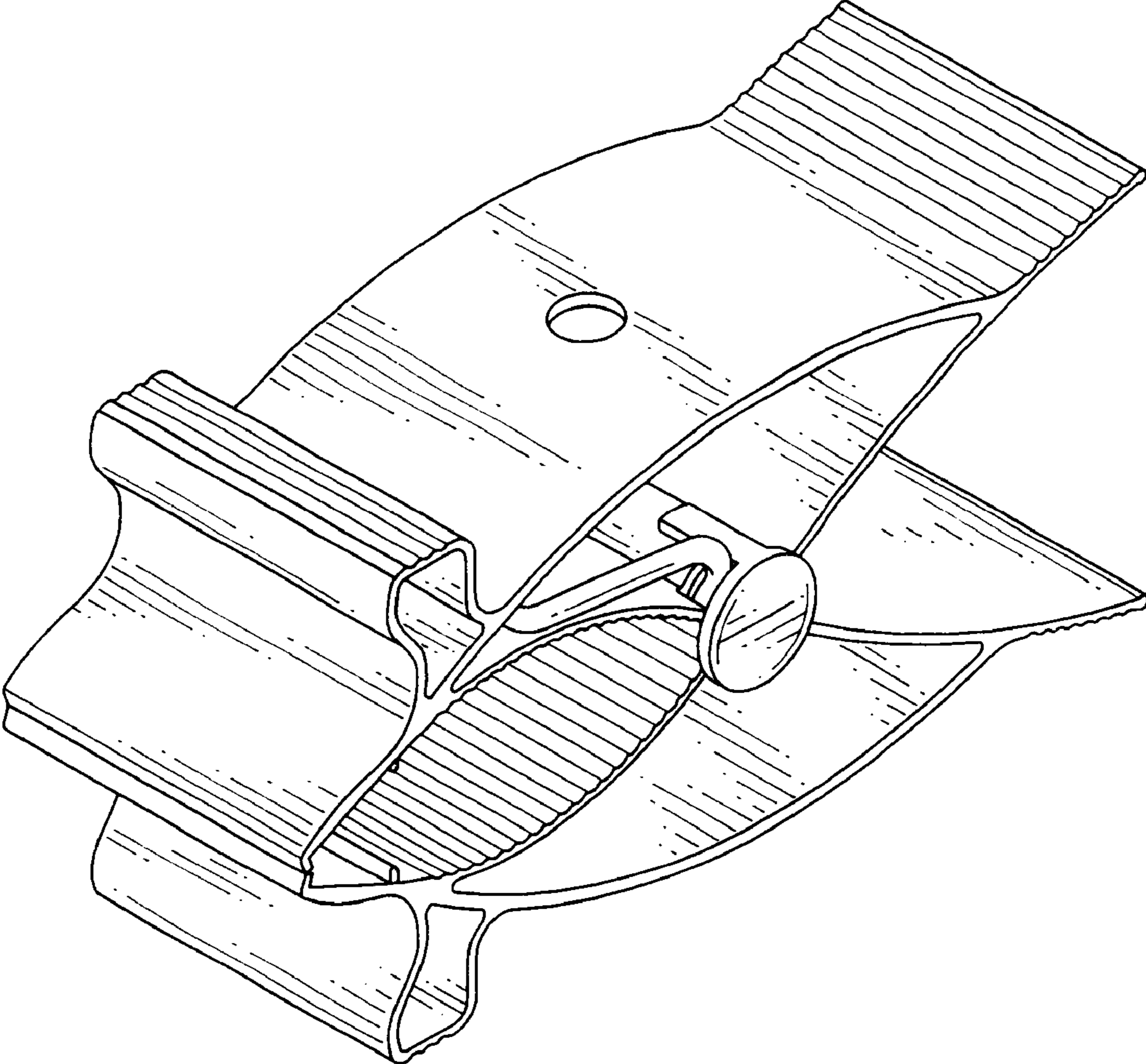


FIG.1

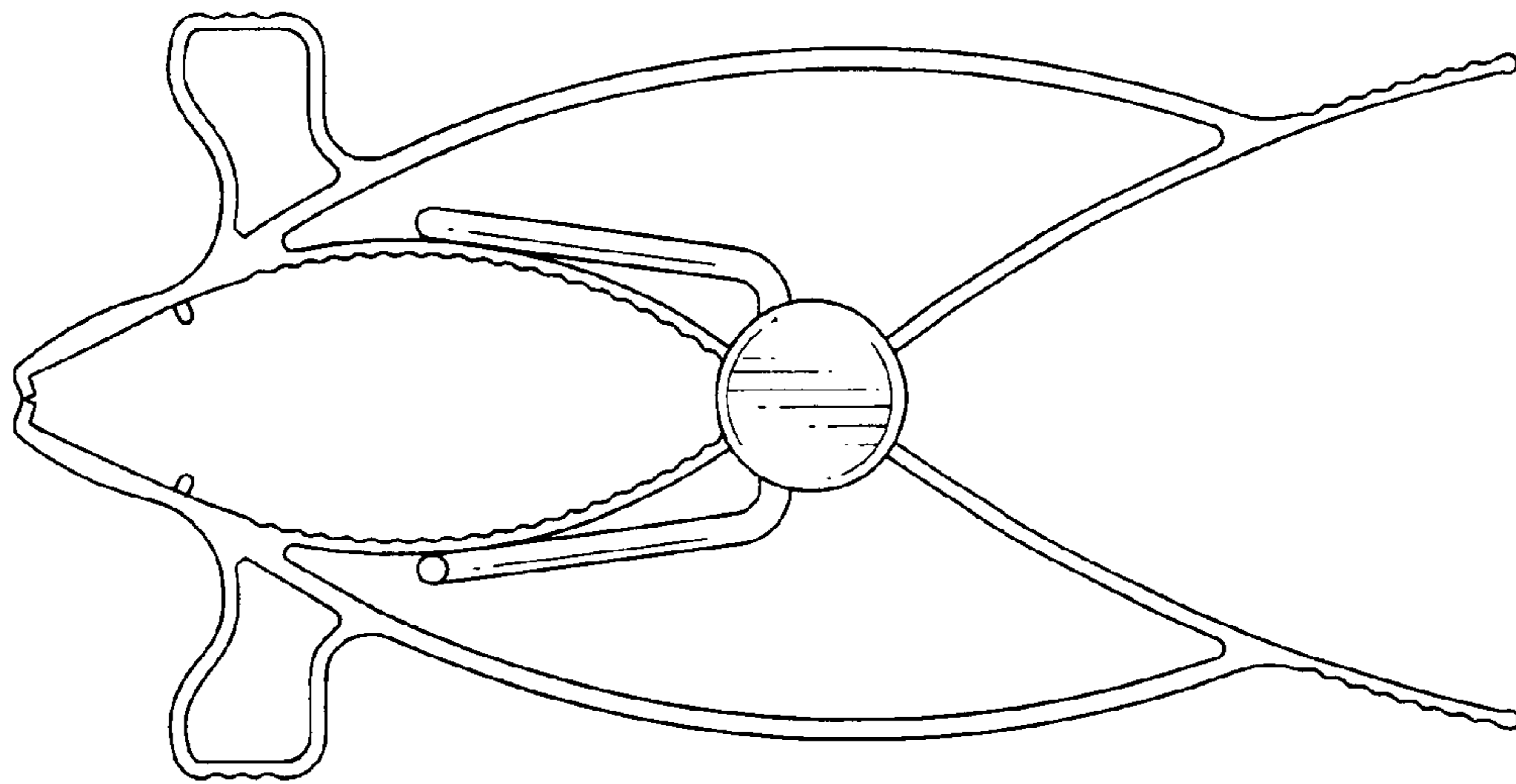


FIG. 2

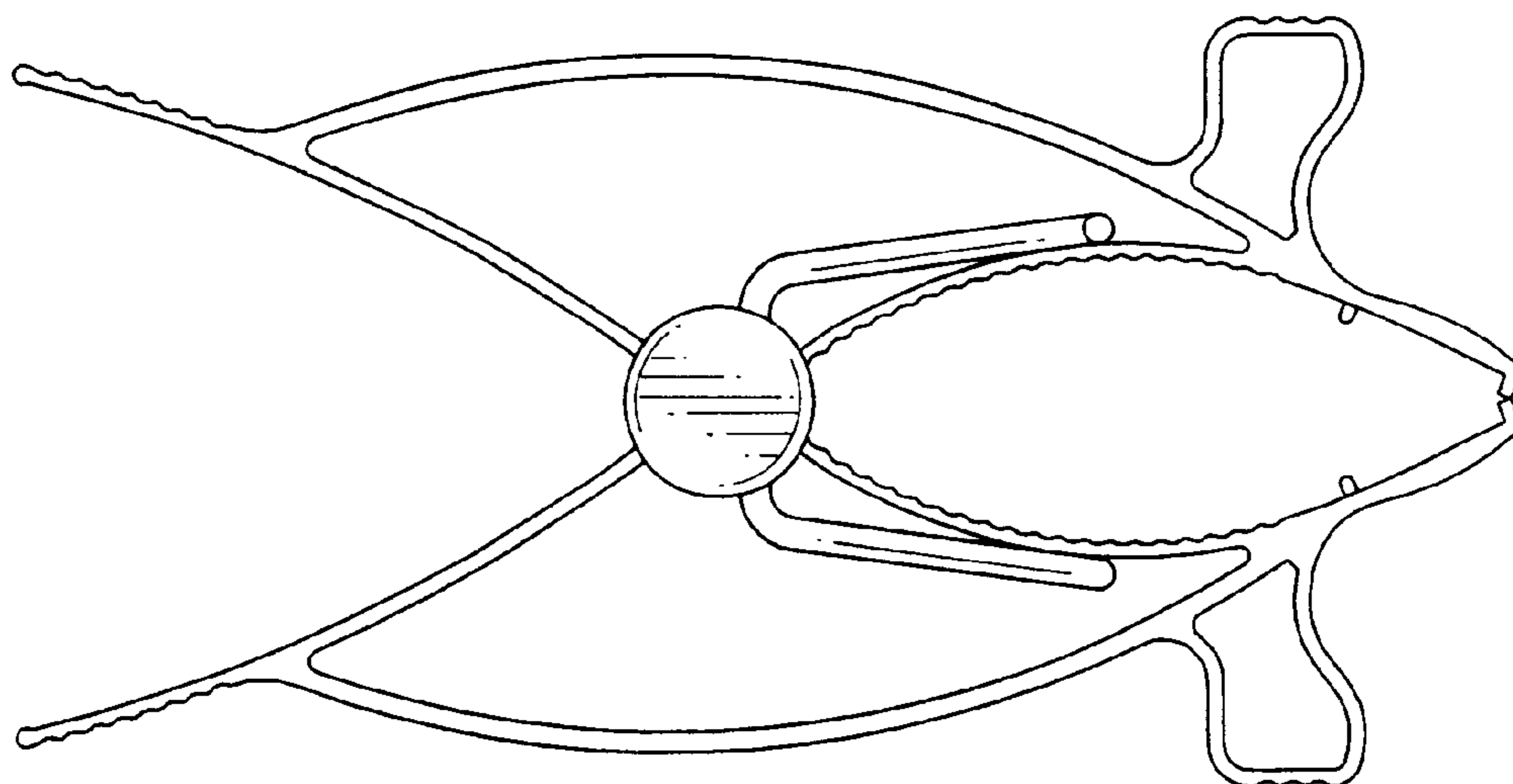


FIG. 3

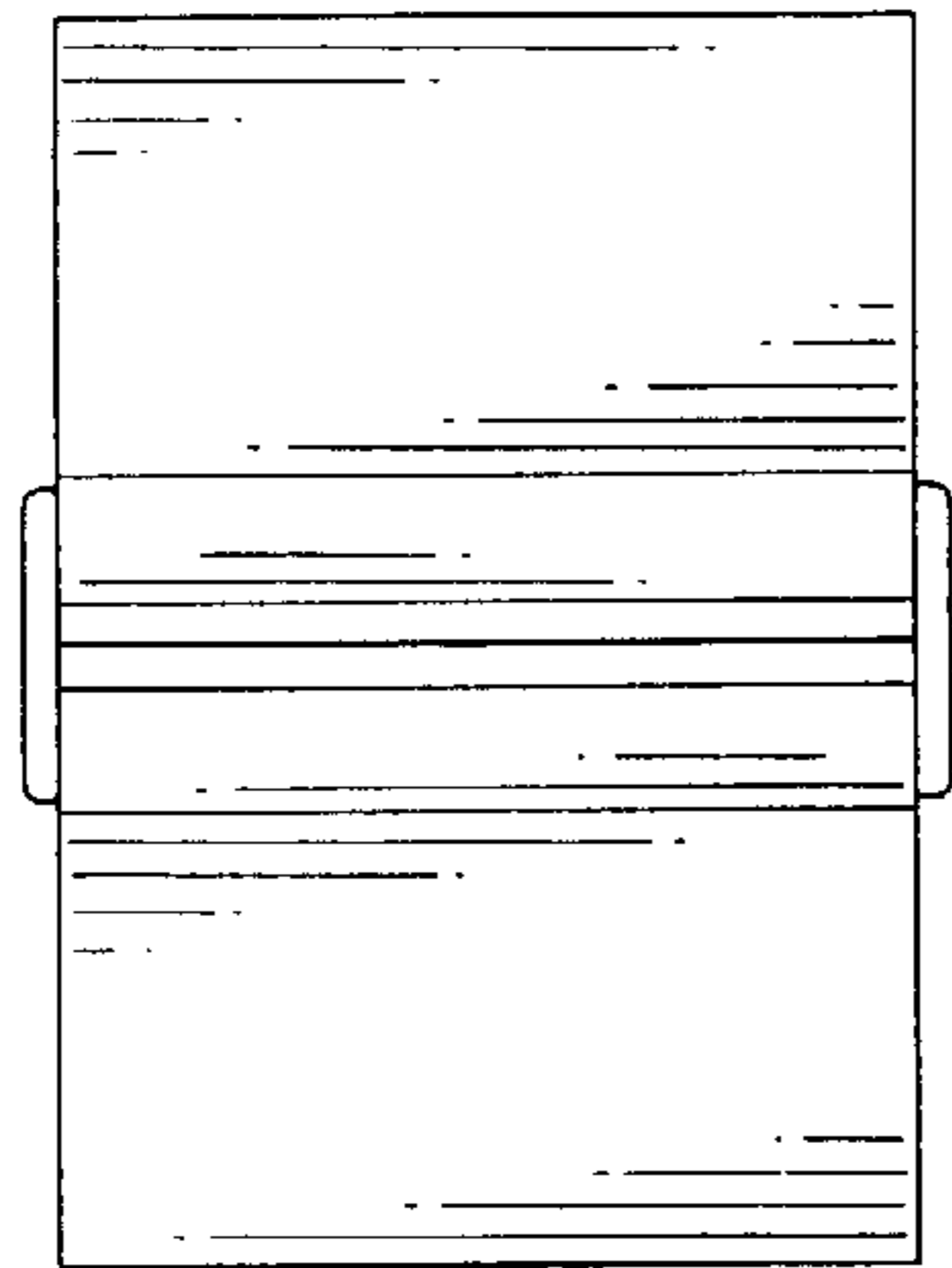


FIG. 4

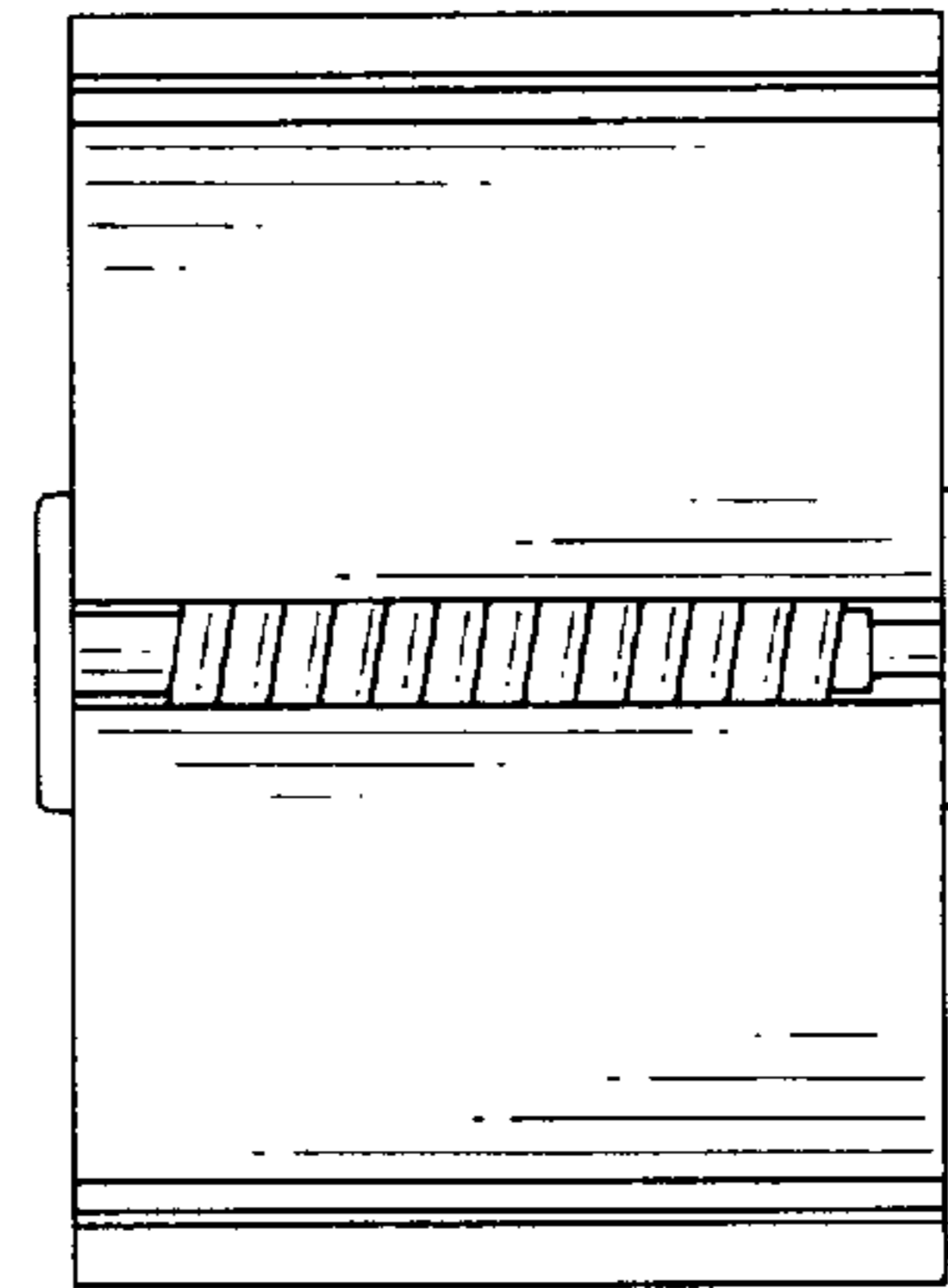


FIG. 5

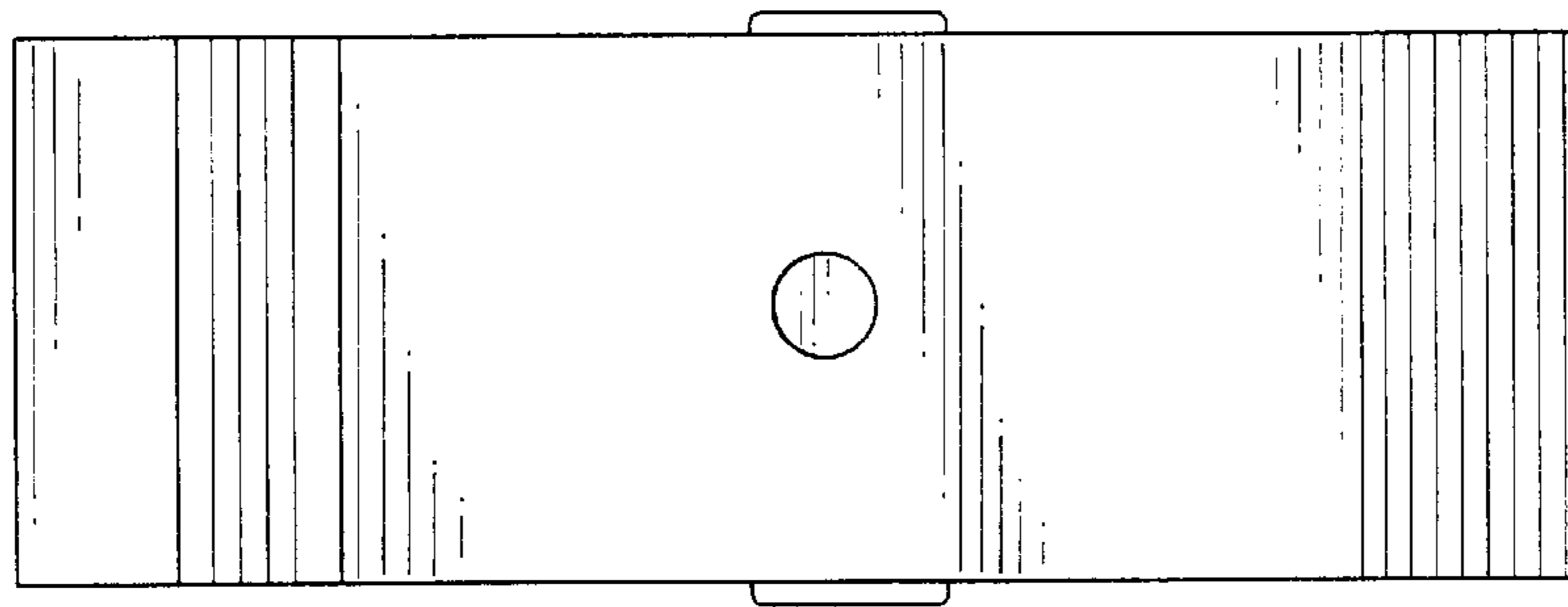


FIG. 6

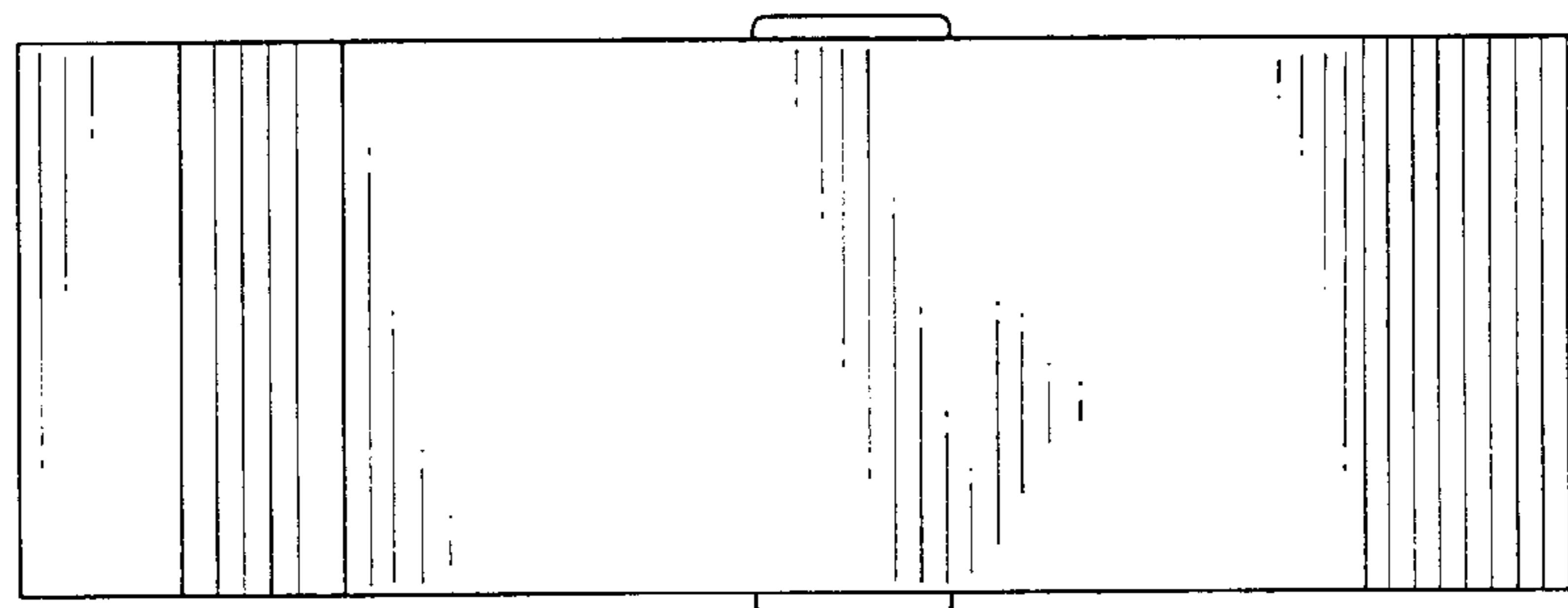


FIG. 7

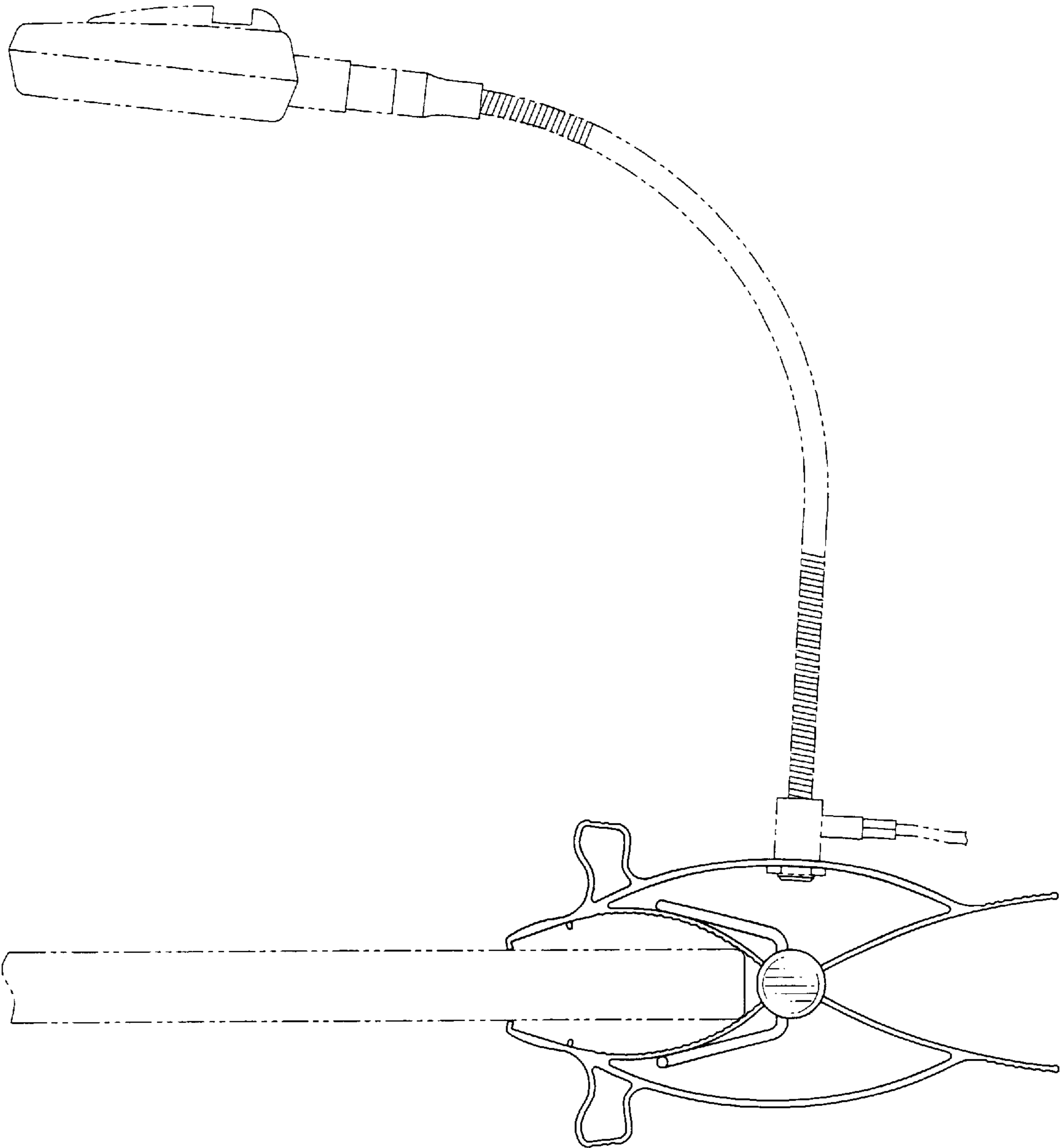


FIG.8