

US00D514924S

(12) **United States Design Patent**
Bergnach

(10) **Patent No.:** **US D514,924 S**

(45) **Date of Patent:** **** Feb. 14, 2006**

(54) **SIDEWALL PROTECTOR FOR STEEL COILS**

(76) **Inventor:** **Mark Bergnach**, 165 Tomlin Cir., Burr Ridge, IL (US) 60527

(**) **Term:** **14 Years**

(21) **Appl. No.:** **29/203,294**

(22) **Filed:** **Apr. 13, 2004**

(51) **LOC (8) Cl. 08-05**

(52) **U.S. Cl. D8/354**

(58) **Field of Classification Search** D8/354,
D8/349, 358; D12/223; D14/251; 248/682,
248/309.1; 242/595, 597

See application file for complete search history.

(56) **References Cited**

U.S. PATENT DOCUMENTS

D382,245 S	*	8/1997	Bedrosian et al.	D12/223
D388,313 S	*	12/1997	Benner et al.	D8/354
D407,710 S	*	4/1999	Poulos	D14/251
D420,565 S	*	2/2000	Griffiths	D8/354
D431,770 S	*	10/2000	Willet	D8/354
D434,304 S	*	11/2000	Willet	D8/354
D461,394 S	*	8/2002	Bergnach et al.	D8/354

* cited by examiner

Primary Examiner—Ruth McInroy
Assistant Examiner—Terrence Huang

(57) **CLAIM**

The ornamental design for a sidewall protector for steel coils, as shown and described.

DESCRIPTION

FIG. 1 is a reduced perspective view of a sidewall protector for steel coils in a folded position, the top portion shown engaging with the top surface of a steel coil and forming a flat bottom portion shown mating with the flat side of the steel coil;

FIG. 2 is a top plan view thereof;

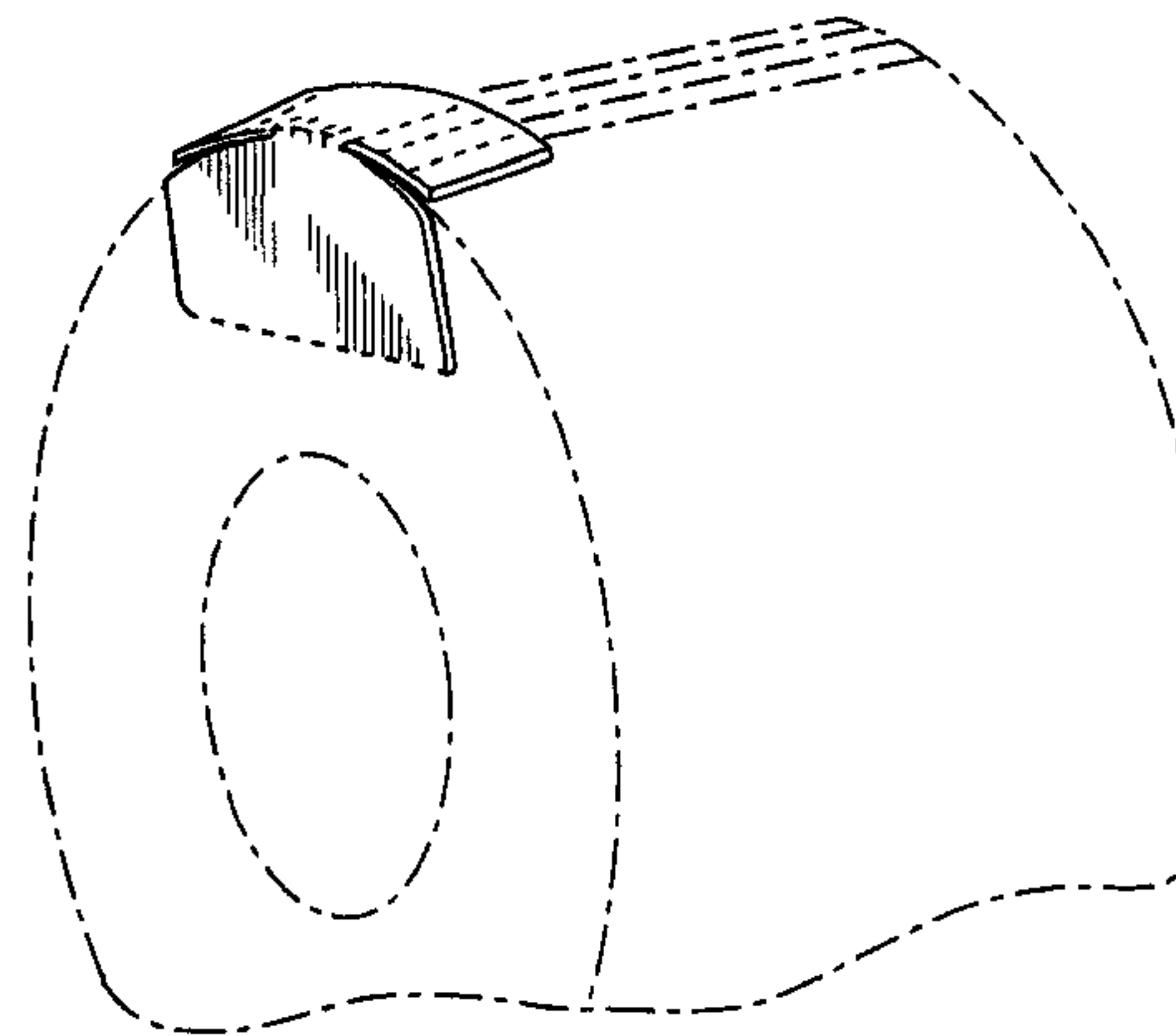
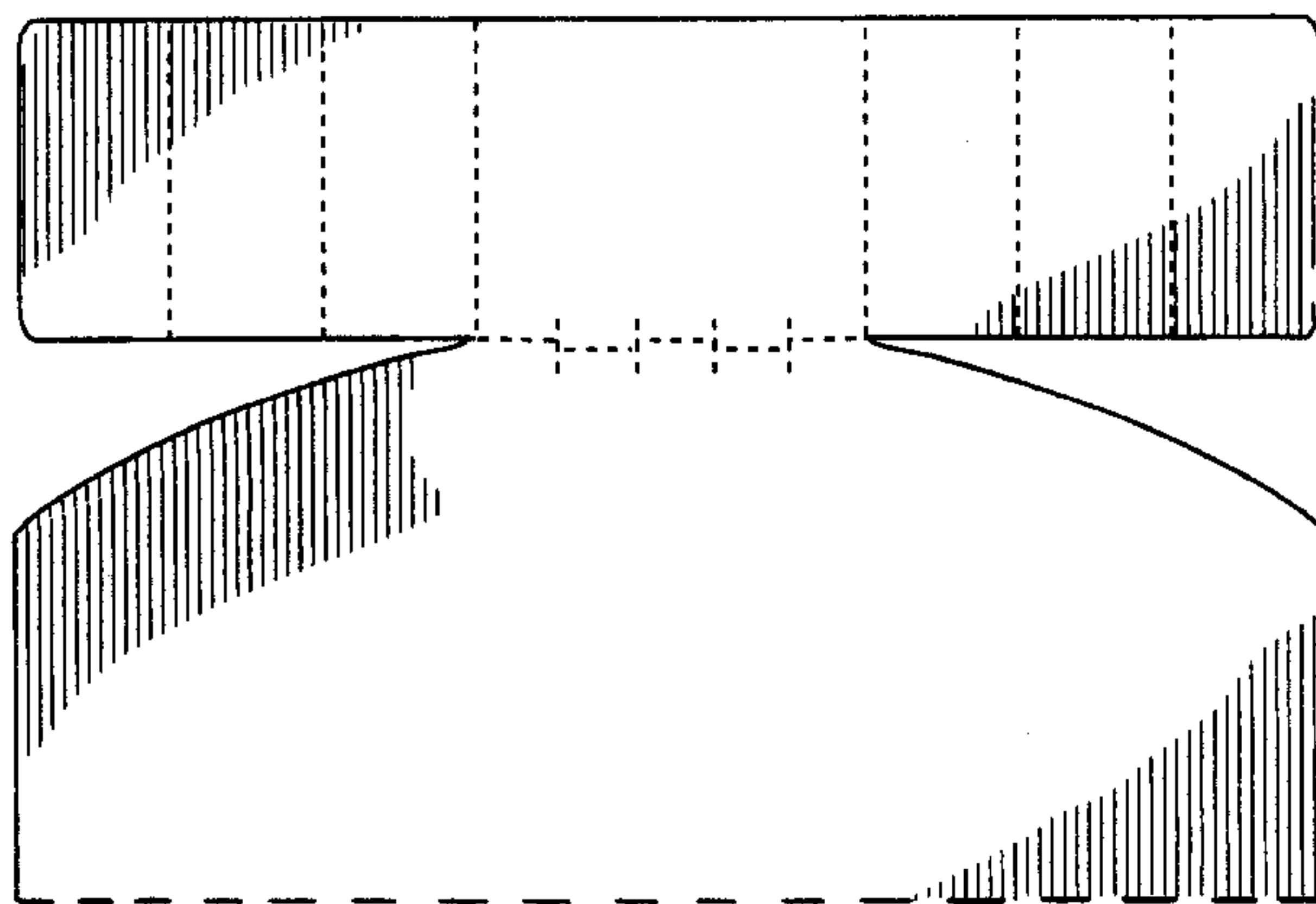
FIG. 3 is a front view thereof, showing the rounded top edges as it would appear engaged with the radial top surface of a steel coil;

FIG. 4 is a side view thereof;

FIG. 5 is a front view thereof, in an open, unfolded position, where the top portion and bottom portion are planar; and, FIG. 6 is a reduced perspective view thereof, shown in folded condition forming the bendable top portion shown engaging with and conforming to a radial top surface of a steel coil and forming the flat bottom portion shown engaging and mating with a flat side surface of a steel coil.

The dotted lines on the claimed design in FIGS. 1, 2, 3, 5, and 6 represent fold lines. The bottom edge shown in broken lines in FIGS. 1, 3, 5 and 6 represents a boundary line. The steel coil shown in broken lines in FIG. 1 and 6 is for illustrative purposes only, and forms no part of the claimed design.

1 Claim, 2 Drawing Sheets



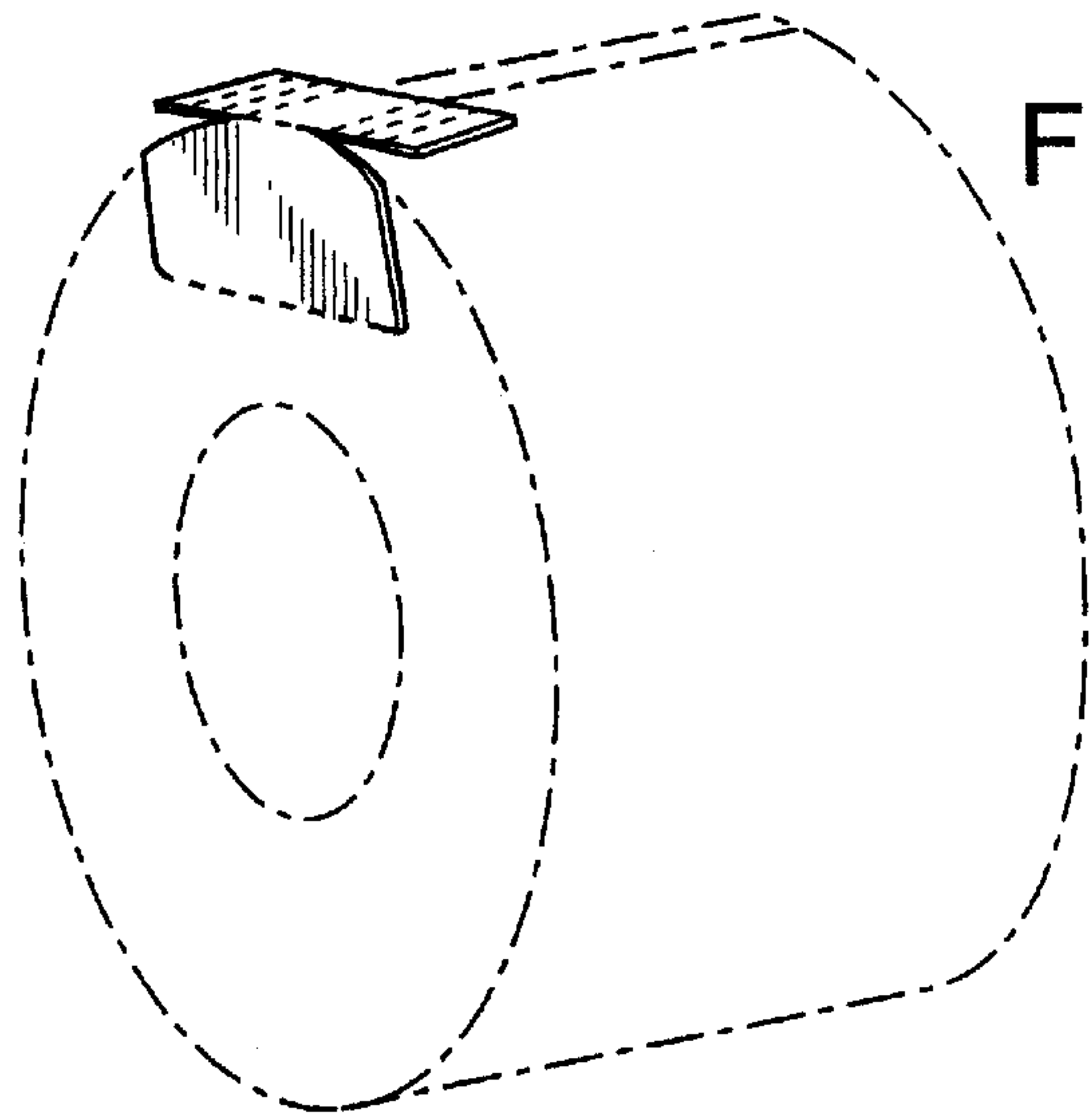


FIG. 1

FIG. 4

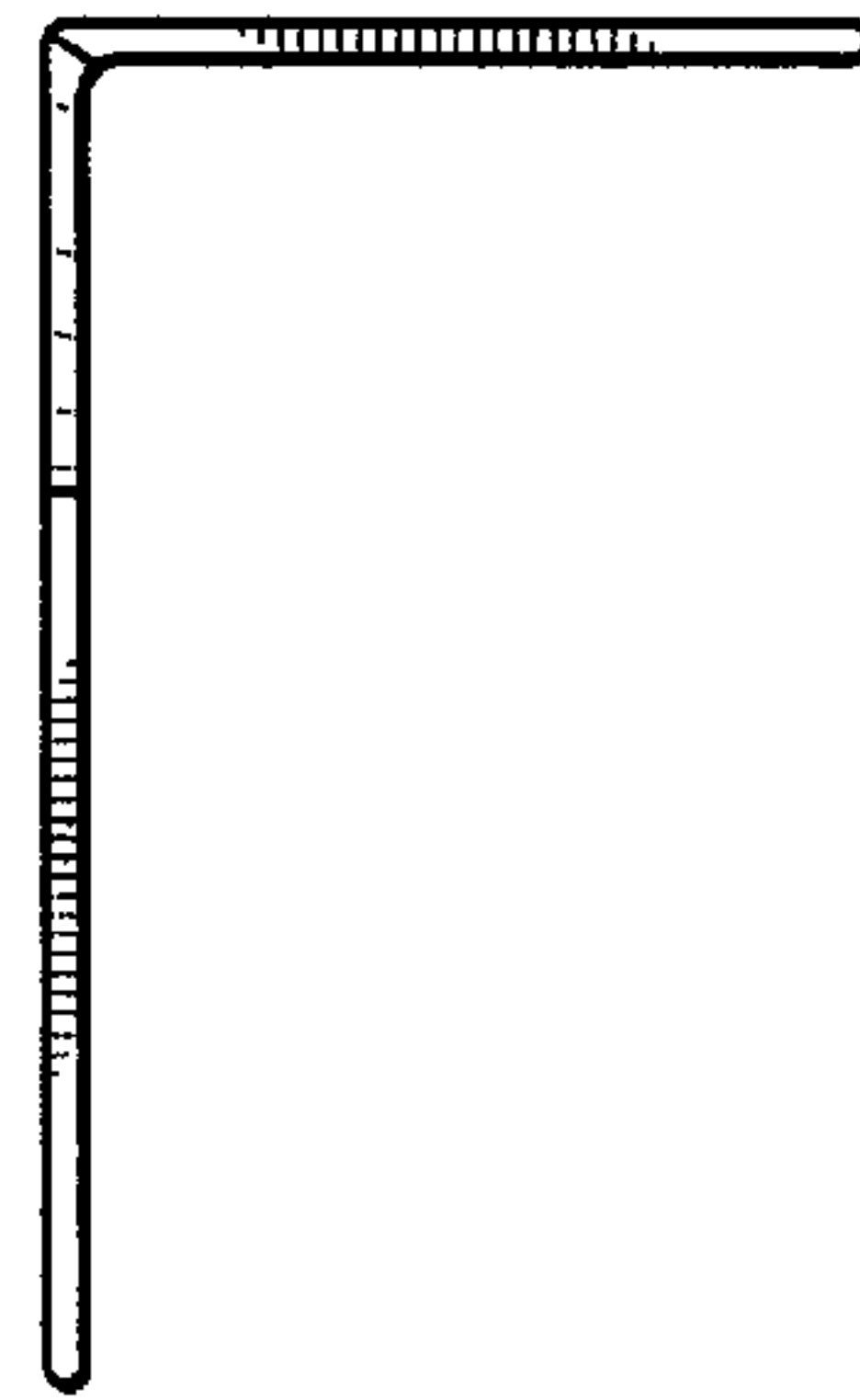


FIG. 2

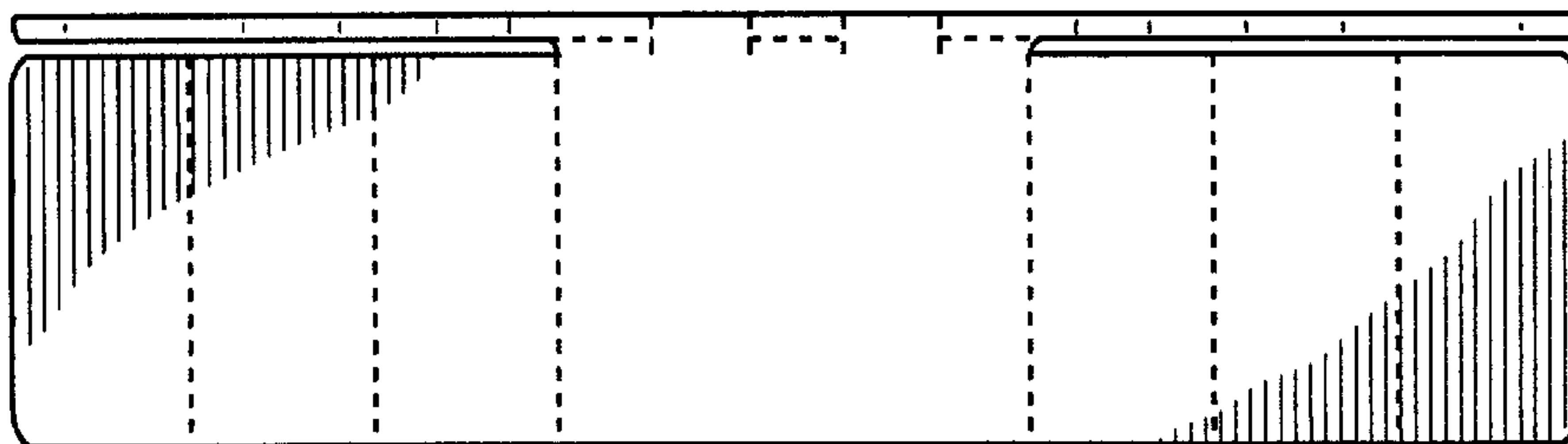


FIG. 3

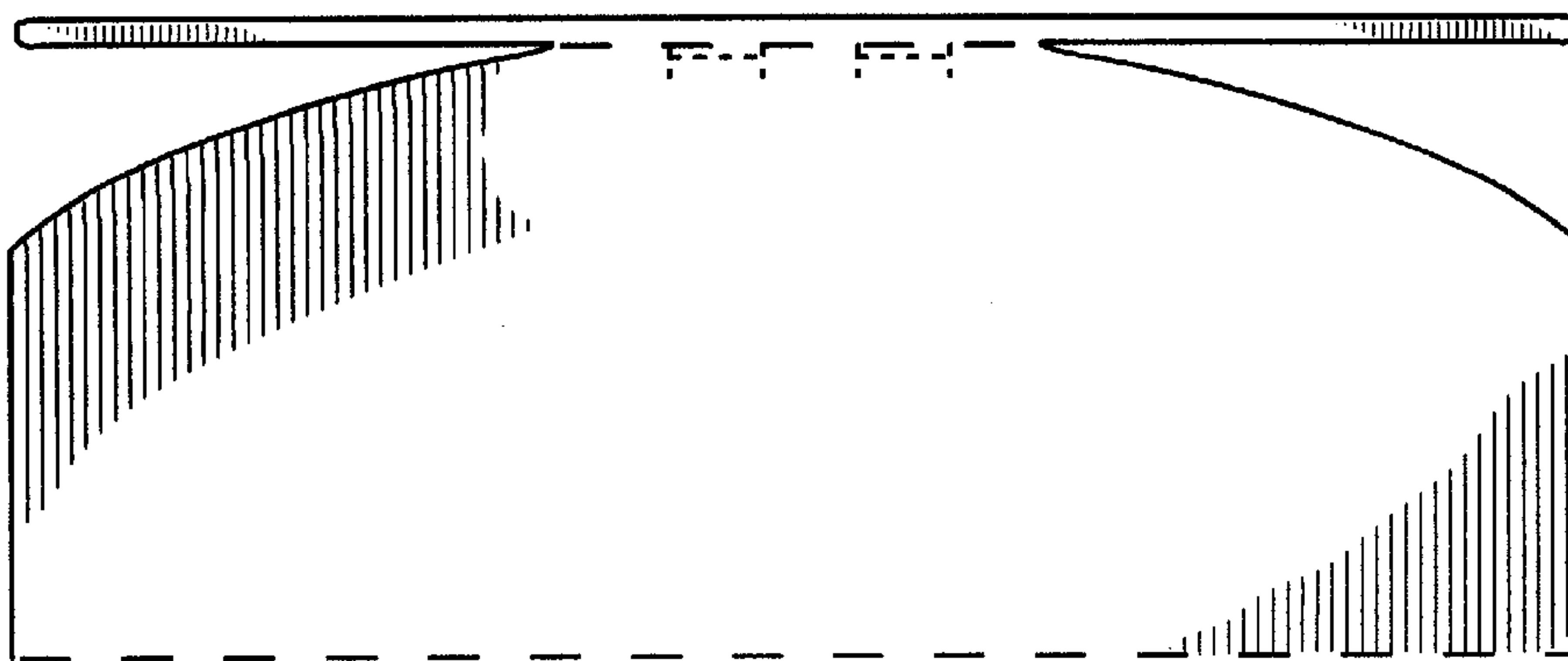


FIG. 5

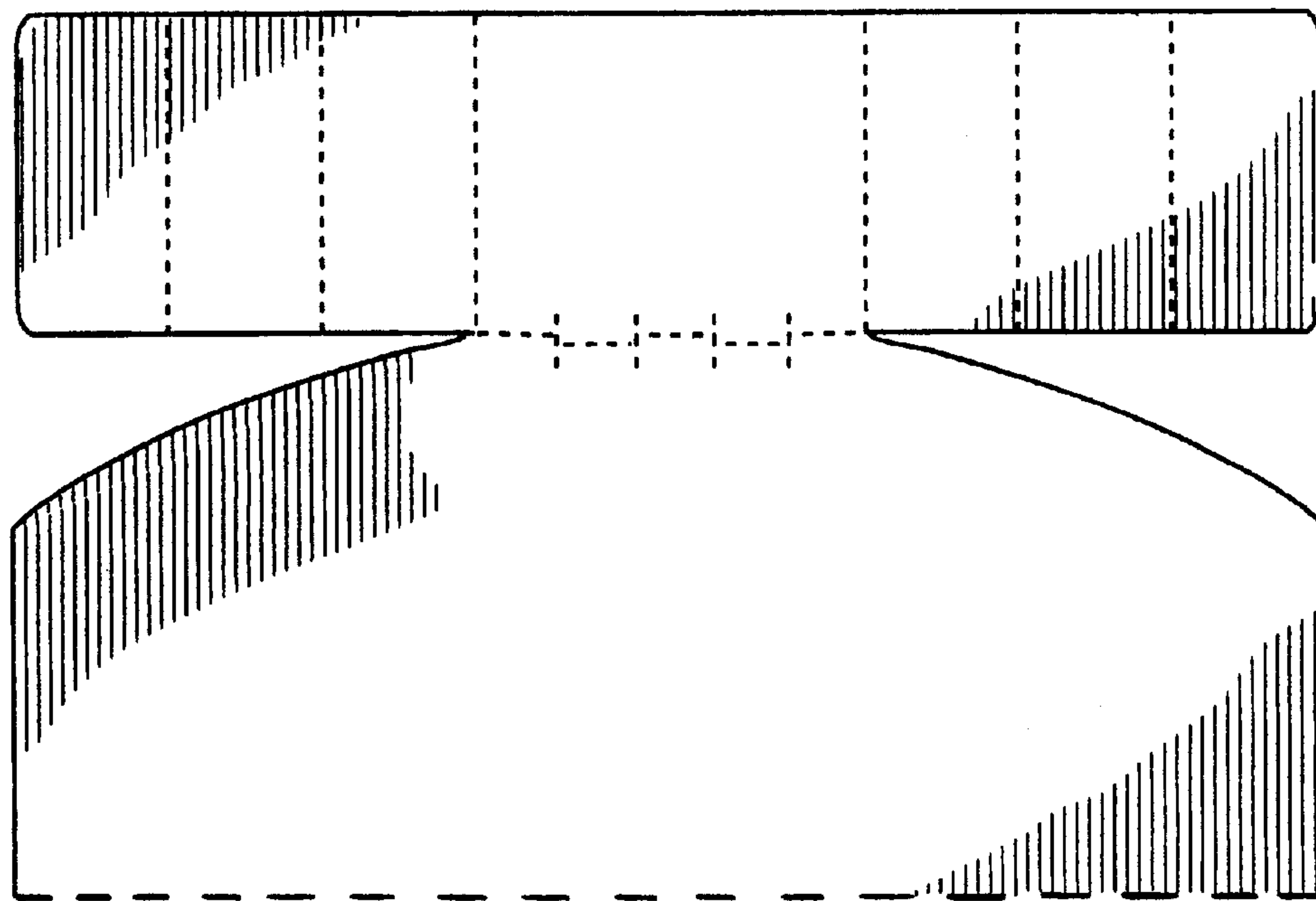


FIG. 6

