



US00D514921S

(12) **United States Design Patent**
Kosasih

(10) **Patent No.: US D514,921 S**

(45) **Date of Patent: ** Feb. 14, 2006**

(54) **KEY**

(75) Inventor: **Angie L. Kosasih**, Rancho Santa Margarita, CA (US)

(73) Assignee: **Newfrey LLC**, Newark, DE (US)

(**) Term: **14 Years**

(21) Appl. No.: **29/217,937**

(22) Filed: **Nov. 23, 2004**

(51) **LOC (8) Cl. 08-07**

(52) **U.S. Cl. D8/347**

(58) **Field of Classification Search D8/330,**
D8/331, 43, 347, 348; 70/336, 344, 346,
70/393, 402-408, 429, 430, 285
See application file for complete search history.

D344,011 S * 2/1994 Carsello D8/347

D352,888 S 11/1994 Carsello

D357,622 S 4/1995 Boutin

D357,852 S 5/1995 Shen

D361,031 S 8/1995 Marthaler

D361,708 S 8/1995 Kahonen

D368,845 S 4/1996 Widen

D370,168 S 5/1996 Widen

D370,169 S 5/1996 Widen

5,617,323 A * 4/1997 Stansberry et al. 700/161

D389,624 S 1/1998 Drimmie et al.

D405,679 S 2/1999 Almblad

D422,883 S 4/2000 Markbreit

D424,911 S 5/2000 Geringer et al.

D426,452 S 6/2000 McElroy et al.

D428,324 S 7/2000 McElroy et al.

D433,315 S 11/2000 Chen

D454,058 S * 3/2002 Davis D9/600

6,644,076 B2 * 11/2003 Huang 70/379 R

D486,054 S 2/2004 Mitchell

D492,186 S 6/2004 Howard

D495,238 S 8/2004 Handel et al.

(56) **References Cited**

U.S. PATENT DOCUMENTS

1,679,558 A * 8/1928 Best 70/406

D95,077 S 4/1935 Schlage

D157,736 S 3/1950 Cerf, Jr.

2,672,747 A 3/1954 Craig

D175,879 S 10/1955 Bobrow

D184,374 S 2/1959 Russell

D187,083 S 1/1960 Henshaw

D203,408 S 1/1966 Crepinsek

D206,397 S 12/1966 Ohno

3,338,078 A * 8/1967 Eberitch et al. 70/428

3,688,269 A * 8/1972 Miller 235/382

D232,808 S 9/1974 Schlage

D246,761 S 12/1977 Kelley et al.

D250,990 S 2/1979 Hanneman et al.

D272,516 S 2/1984 Ohno

D278,880 S 5/1985 Widen

D307,863 S * 5/1990 Boag D8/347

4,922,736 A * 5/1990 Tanaka et al. 70/277

D328,019 S 7/1992 Beizer

D333,973 S 3/1993 Eizen

* cited by examiner

Primary Examiner—Prabhakar Deshmukh
(74) *Attorney, Agent, or Firm*—Richard J. Veltman; John D. DelPonti

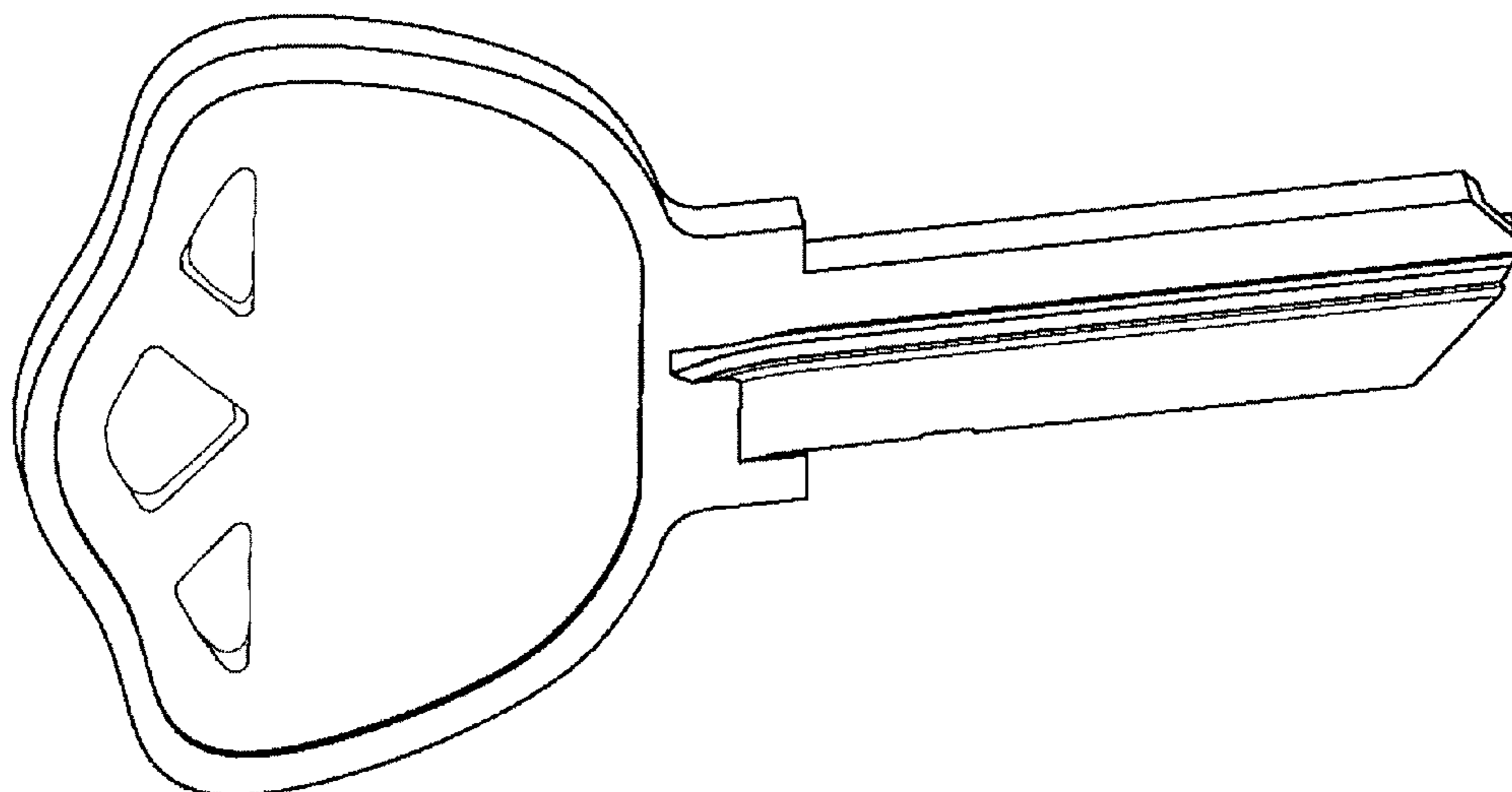
(57) **CLAIM**

The ornamental design for a key, as shown and described.

DESCRIPTION

FIG. 1 is a perspective view of the new design for a key;
FIG. 2 is a front view of the new design for a key;
FIG. 3 is a back view of the new design for a key;
FIG. 4 is a top view of the new design for a key;
FIG. 5 is a bottom view of the new design for a key;
FIG. 6 is a right side view of the new design for a key; and,
FIG. 7 is a left side view of the new design for a key.

1 Claim, 2 Drawing Sheets



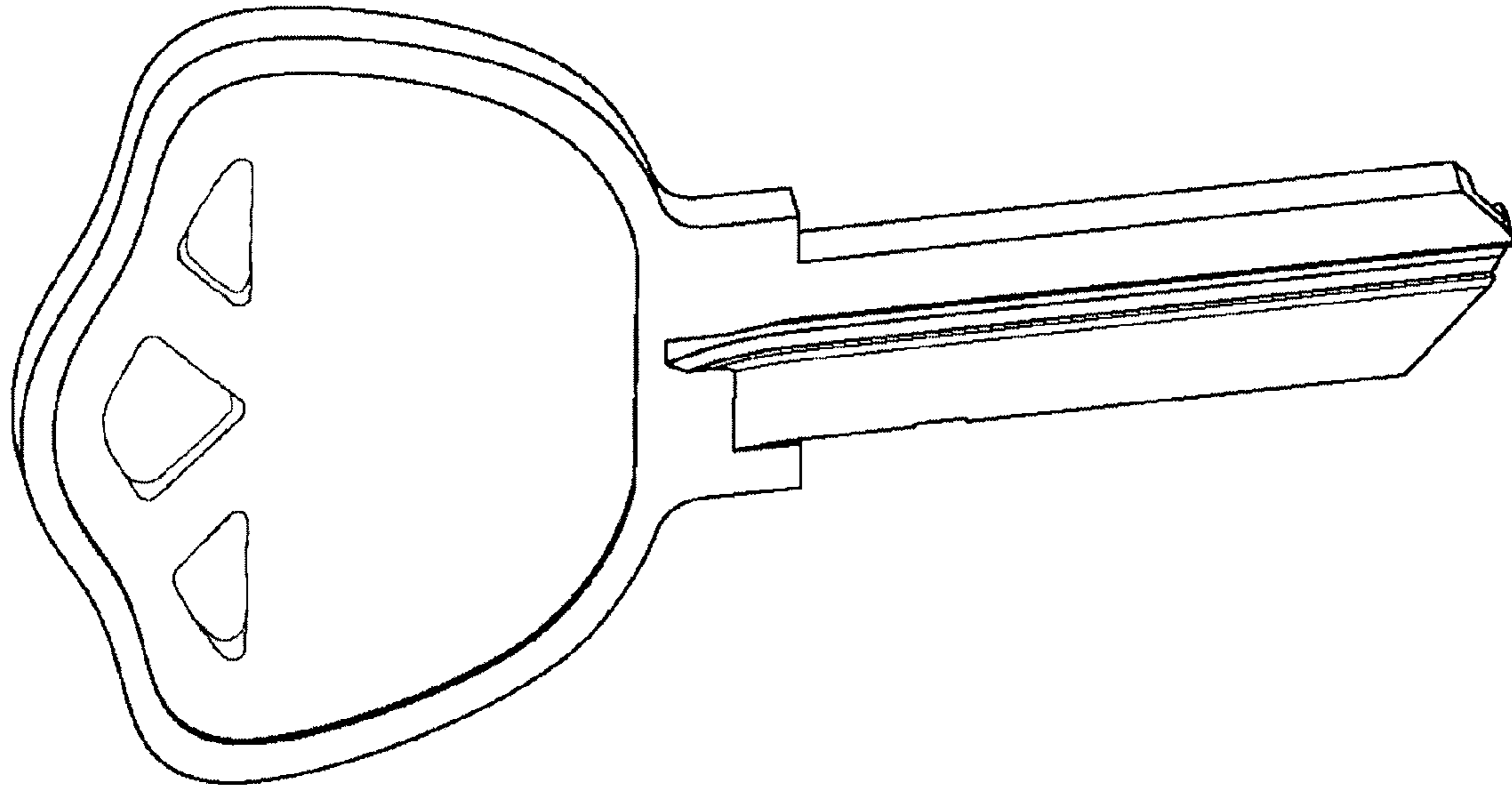


FIG. 1

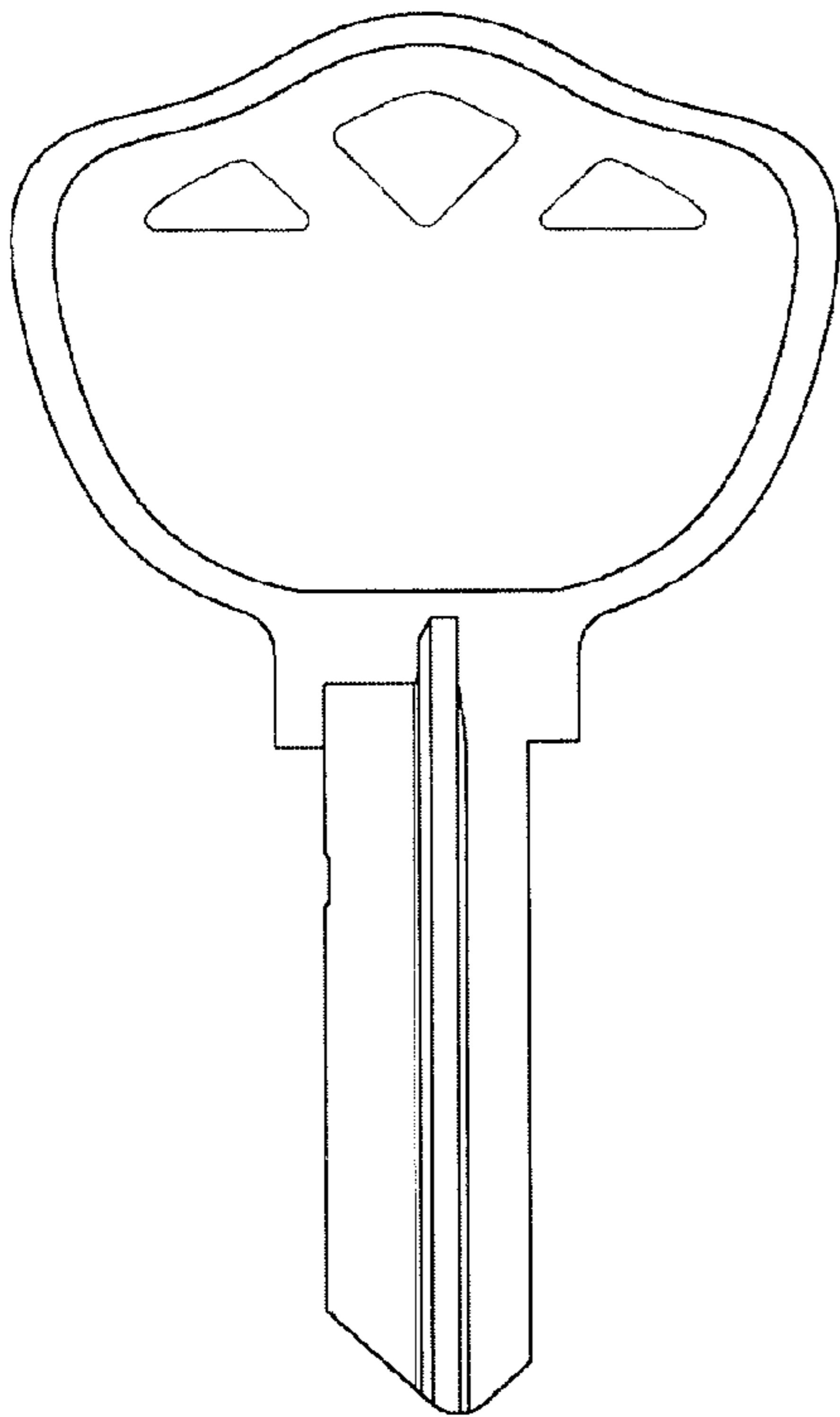


FIG. 2

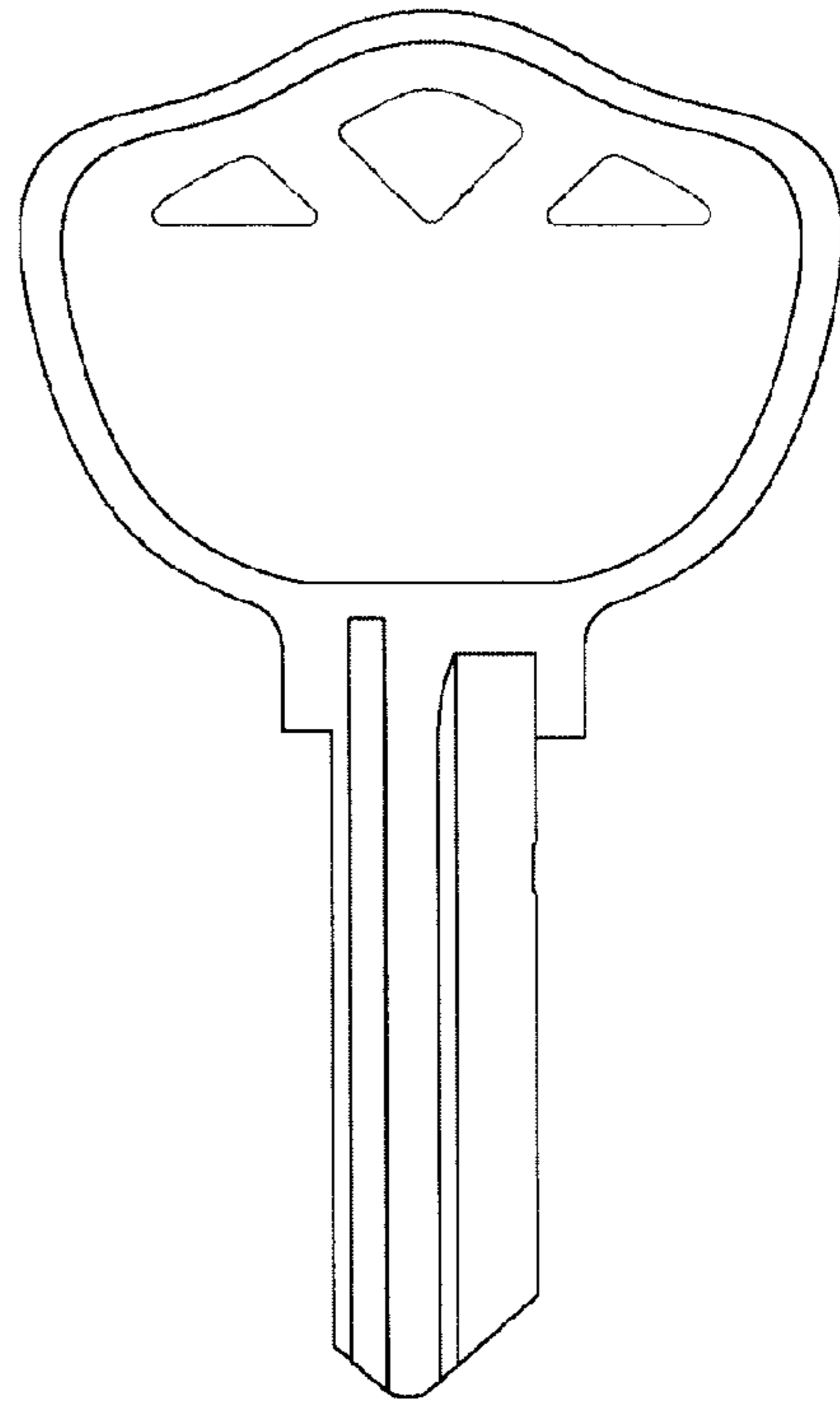


FIG. 3



FIG. 4



FIG. 5

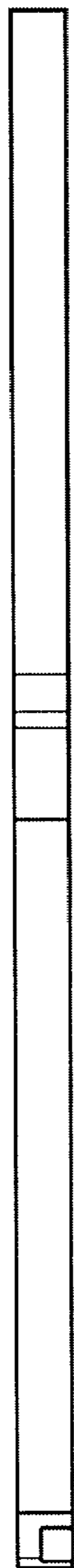


FIG. 6



FIG. 7