

US00D514917S

(12) **United States Design Patent**
Coudurier

(10) **Patent No.:** **US D514,917 S**

(45) **Date of Patent:** **** Feb. 14, 2006**

(54) **HANDLE**

(75) **Inventor:** **Olivier Coudurier**, Marigny Saint
Marcel (FR)

(73) **Assignee:** **Tefal, S.A.**, Rumilly (FR)

(**) **Term:** **14 Years**

(21) **Appl. No.:** **29/202,052**

(22) **Filed:** **Mar. 25, 2004**

(30) **Foreign Application Priority Data**

Sep. 25, 2003 (FR) 03 4650

(51) **LOC (8) Cl.** **08-04**

(52) **U.S. Cl.** **D8/107**

(58) **Field of Classification Search** D8/107,
D8/10-11, 300, 310; D9/434; 16/110.1, 112.1,
16/114.1, 406, 422, 426, 440, 444, DIG. 5,
16/DIG. 41; 81/177.1, 489; 294/171, 58;
383/25

See application file for complete search history.

(56) **References Cited**

U.S. PATENT DOCUMENTS

3,548,906 A * 12/1970 Murphy 383/25

4,004,722 A * 1/1977 Olivier 294/171
D401,833 S * 12/1998 Whitehead et al. D8/107
D420,885 S * 2/2000 Lin D8/107
D487,010 S * 2/2004 Marquardt et al. D8/107

* cited by examiner

Primary Examiner—Pamela Burgess

(74) *Attorney, Agent, or Firm*—Fross Zelnick Lehrman &
Zissu, P.C.; David I. Greenbaum, Esq.

(57) **CLAIM**

The ornamental design for a handle, as shown and described.

DESCRIPTION

FIG. 1 is a perspective view of a handle showing the new design;

FIG. 2 is a front view of the handle shown in FIG. 1;

FIG. 3 is a top view of the handle shown in FIG. 1;

FIG. 4 is a bottom view of the handle shown in FIG. 1;

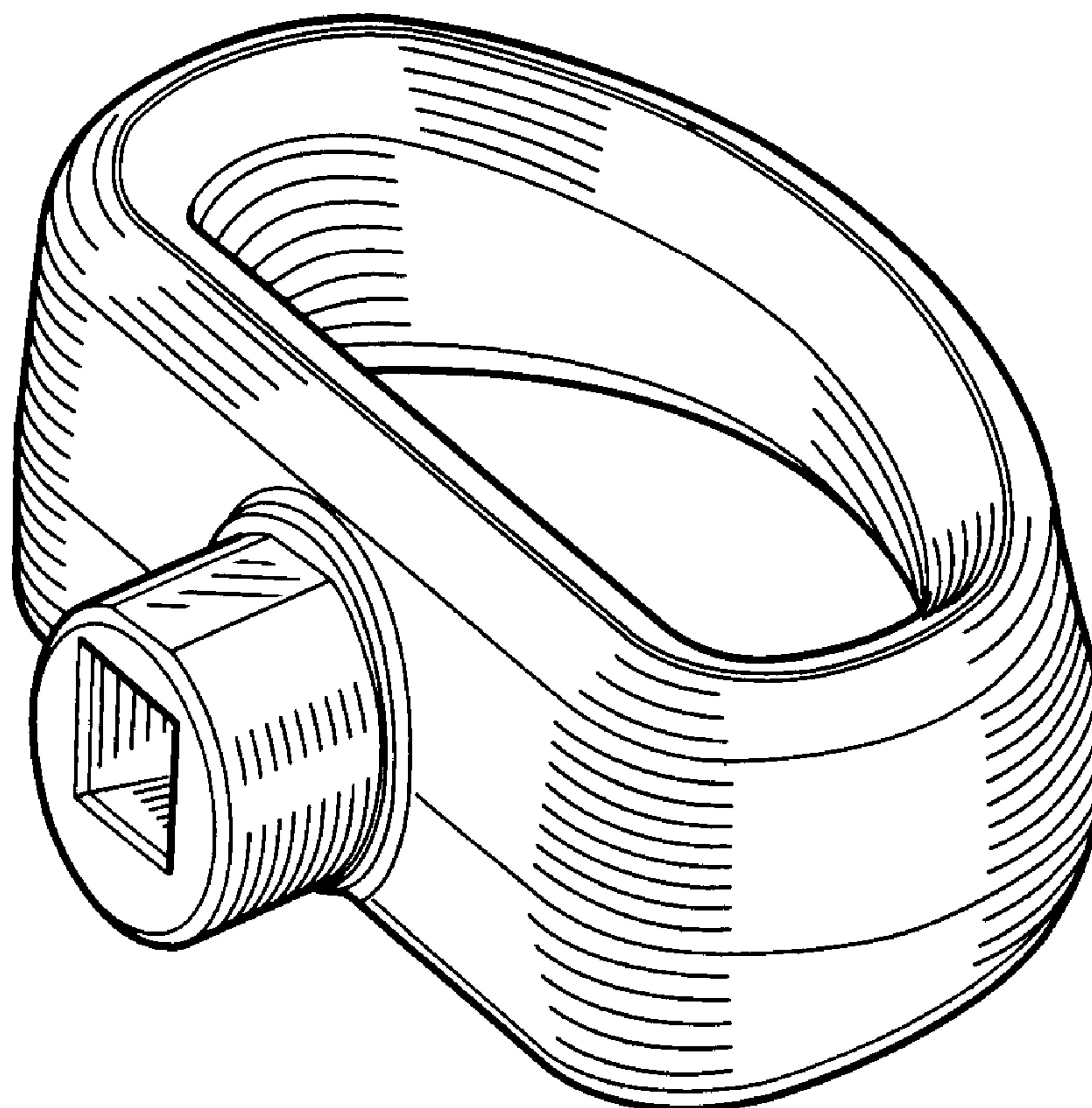
FIG. 5 is a left side view of the handle shown in FIG. 1;

FIG. 6 is a right side view of the handle shown in FIG. 1;

and,

FIG. 7 is a rear perspective view of the handle shown in FIG. 1.

1 Claim, 7 Drawing Sheets



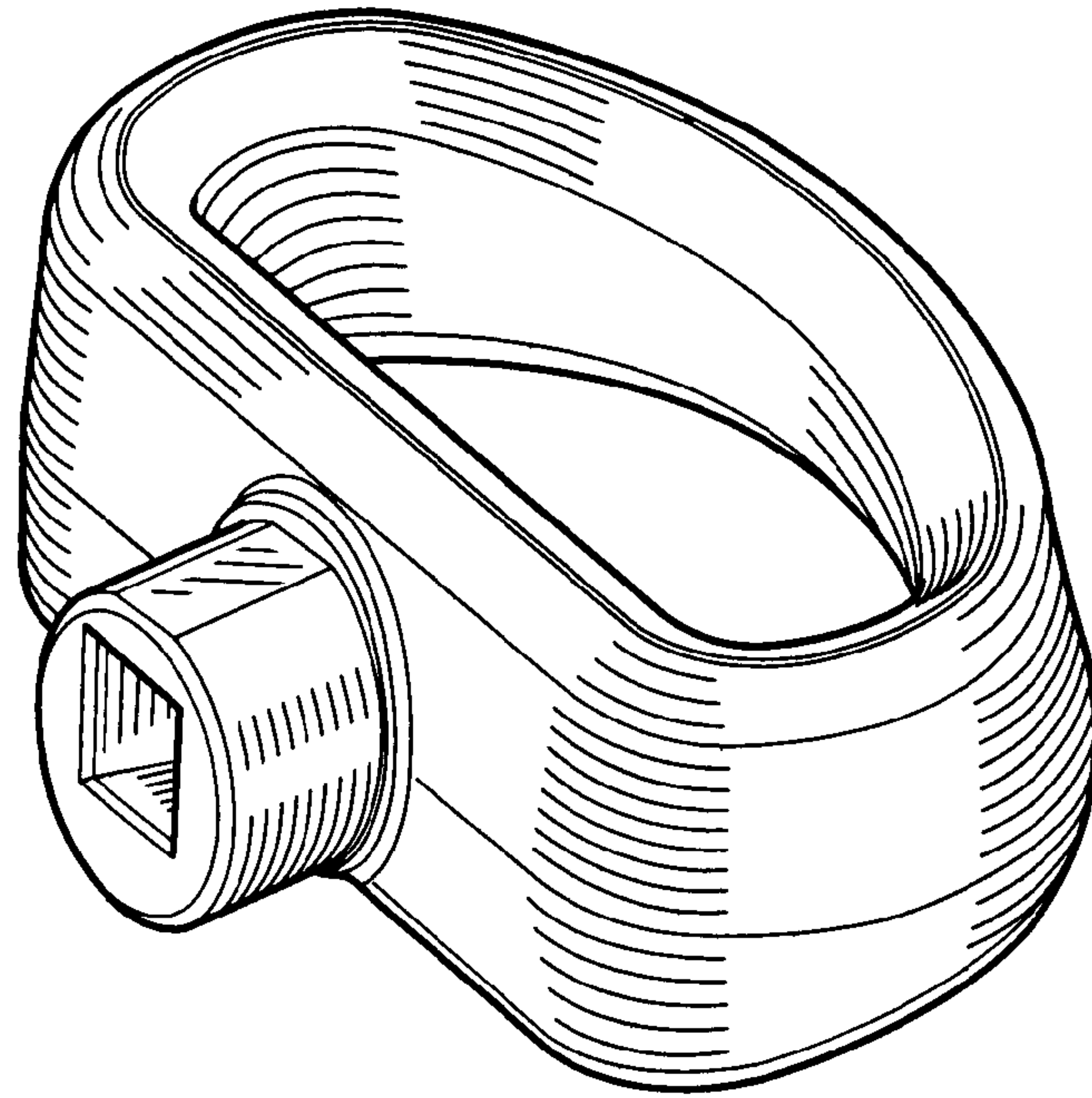


Fig. 1

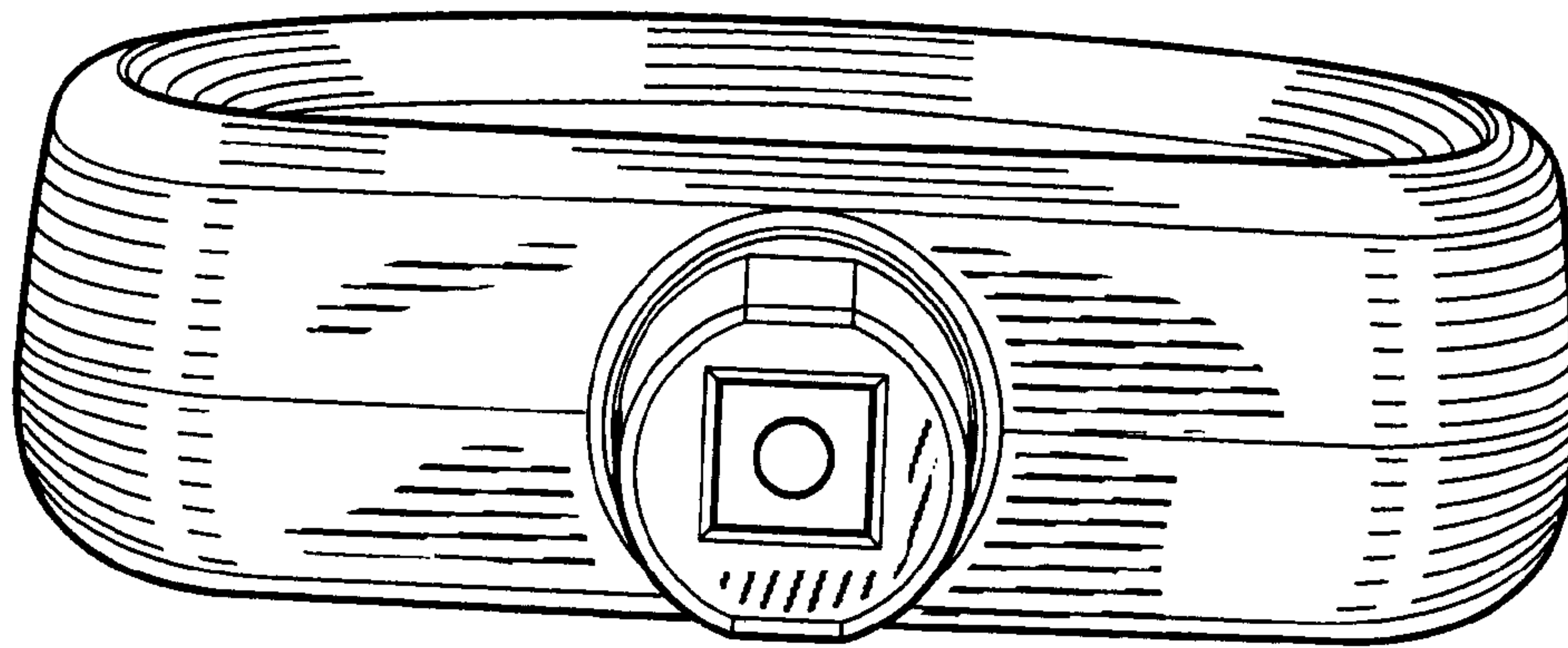


Fig. 2

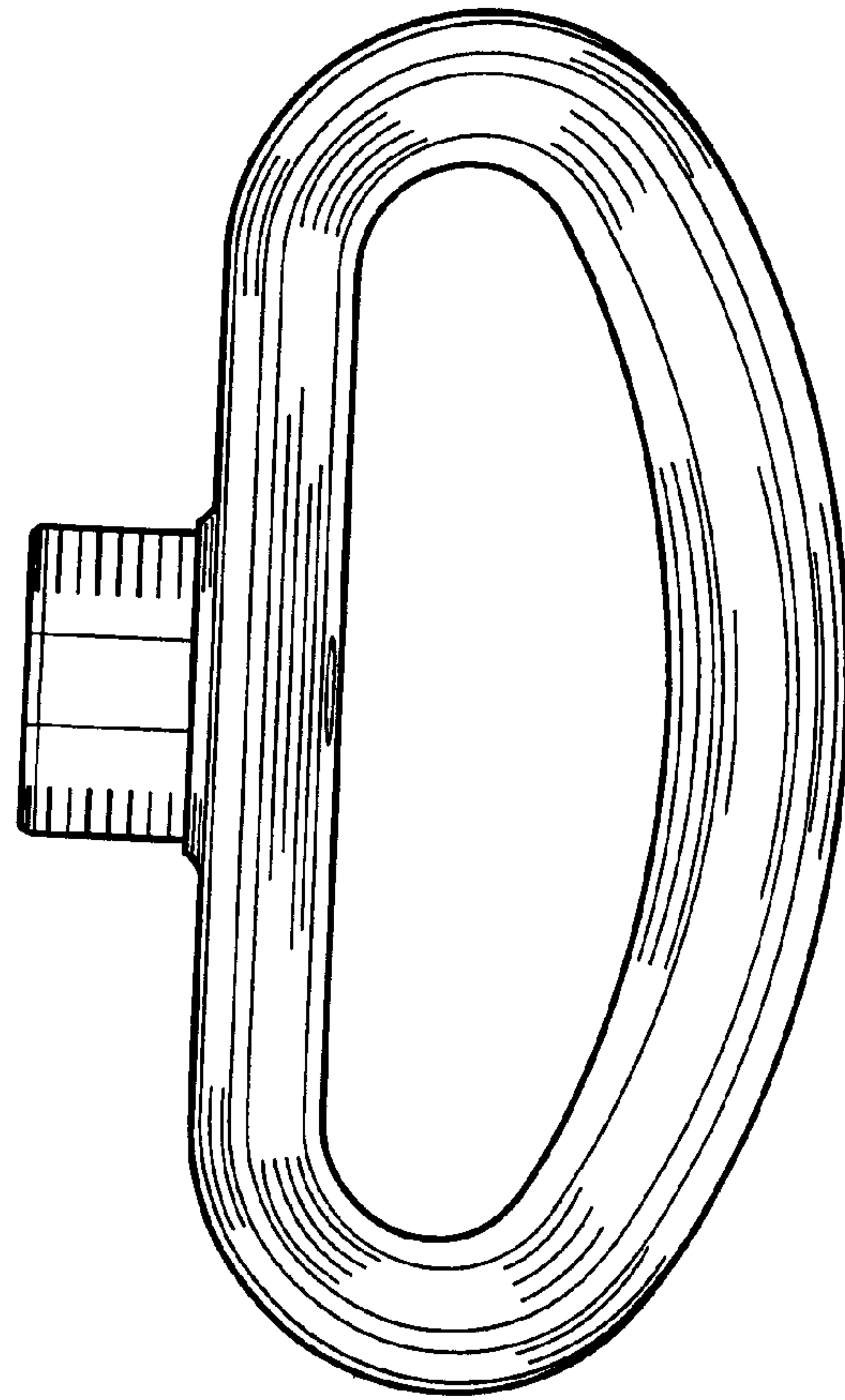


Fig. 3

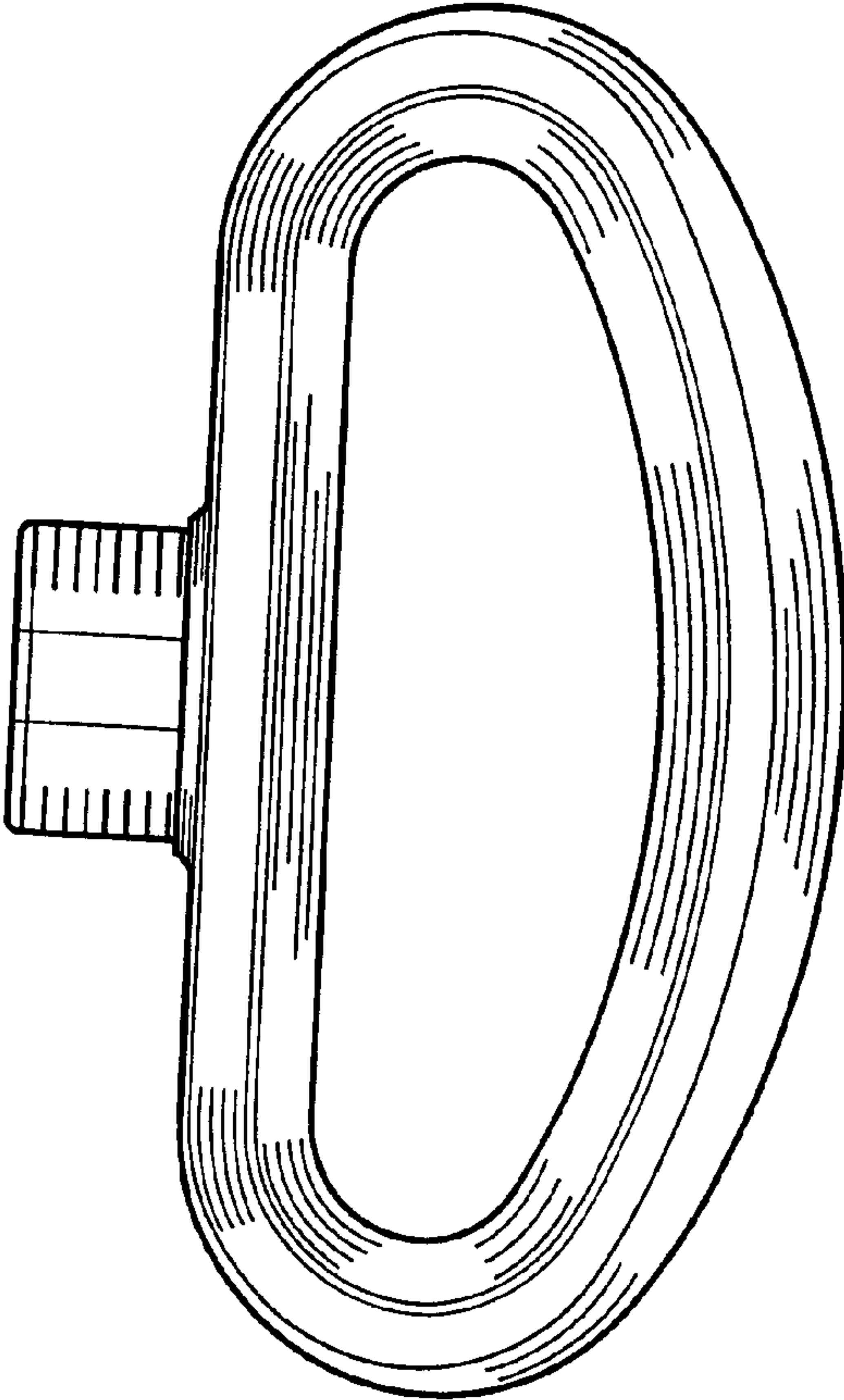


Fig. 4

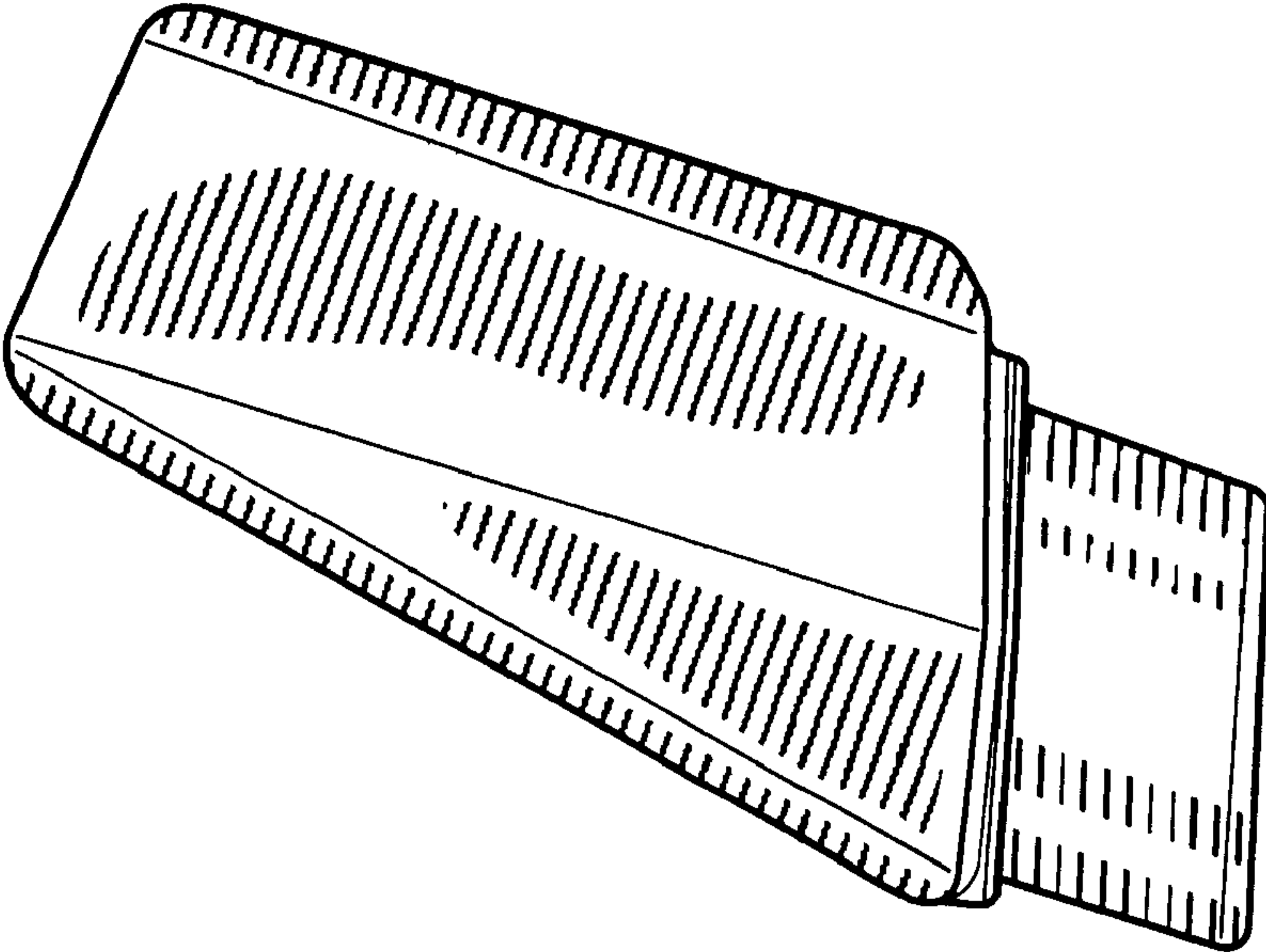


Fig. 5

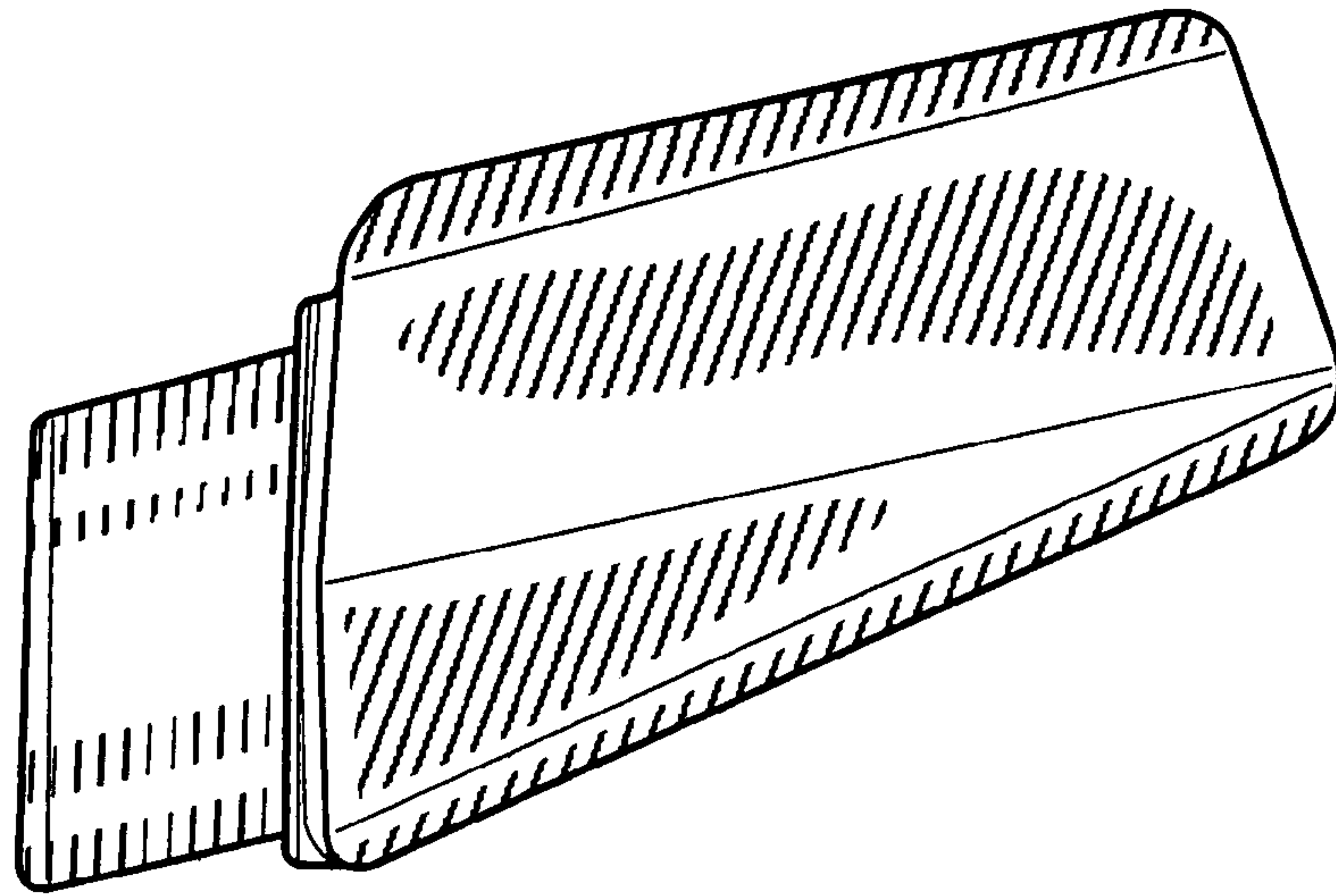


Fig. 6

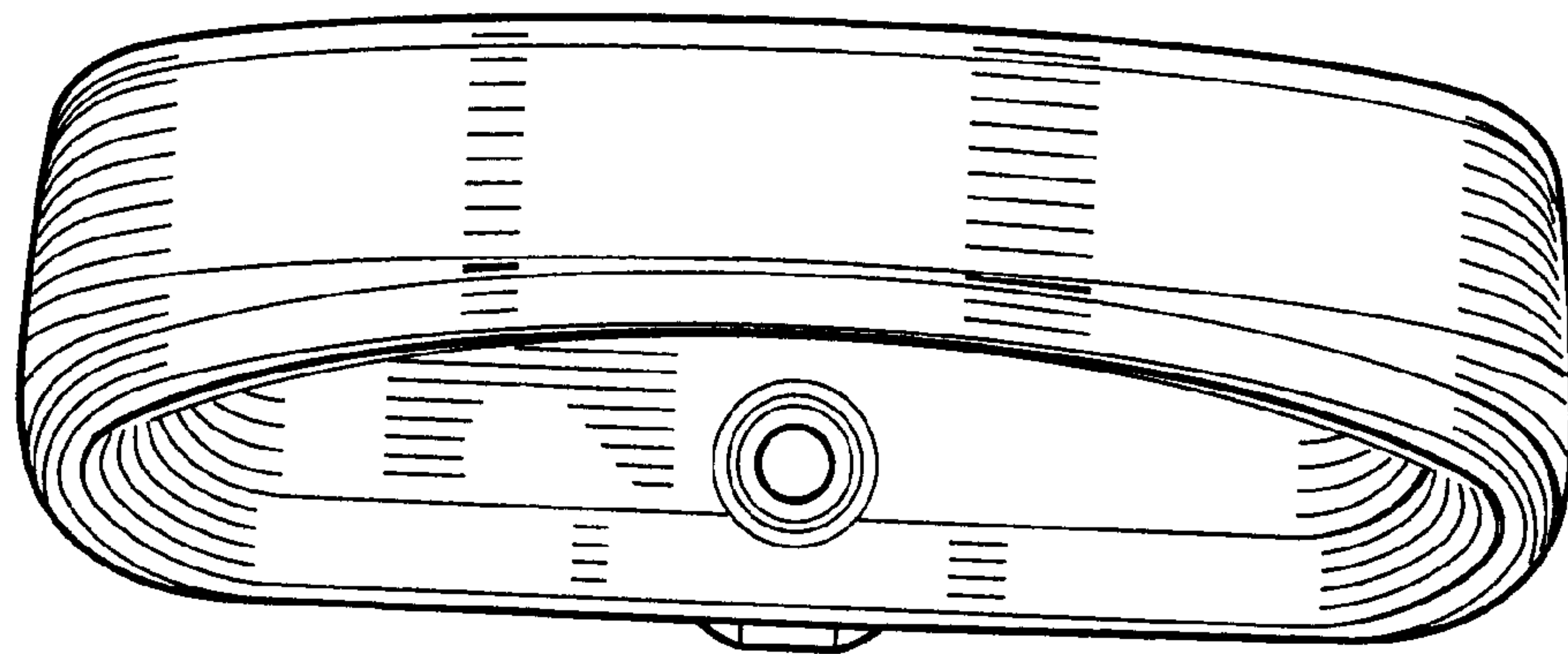


Fig. 7