

US00D514916S

(12) **United States Design Patent**  
**Craig**

(10) **Patent No.:** **US D514,916 S**

(45) **Date of Patent:** **\*\* Feb. 14, 2006**

(54) **LETTER OPENER**

(75) **Inventor:** **Jimmy Ray Craig**, Wichita Falls, TX  
(US)

(73) **Assignee:** **LoSig, Inc.**, Plano, TX (US)

(\*\*) **Term:** **14 Years**

(21) **Appl. No.:** **29/227,431**

(22) **Filed:** **Apr. 11, 2005**

(51) **LOC (8) Cl.** ..... **08-03**

(52) **U.S. Cl.** ..... **D8/102**

(58) **Field of Classification Search** ..... D8/102,  
D8/104, 48, 98, 41; 16/DIG. 24; 30/DIG. 3,  
30/294; 254/28; 7/160; D19/65

See application file for complete search history.

(56) **References Cited**

**U.S. PATENT DOCUMENTS**

3,751,806	A	*	8/1973	Patrick	.....	30/294
D230,007	S	*	1/1974	Cramer et al.	.....	D8/98
D269,154	S	*	5/1983	Freedman et al.	.....	D8/98
4,553,737	A	*	11/1985	Yi	.....	254/28
D329,368	S	*	9/1992	Desrochers	.....	D8/102
D334,702	S	*	4/1993	Godsey	.....	D8/104

D352,217	S	*	11/1994	Hochfeld et al.	.....	D8/48
D388,306	S	*	12/1997	Vaught	.....	D8/104
D401,492	S	*	11/1998	Joseph, Jr.	.....	D8/98
D414,998	S	*	10/1999	Cheldin	.....	D8/48
6,065,169	A	*	5/2000	Cheldin	.....	7/160
D438,440	S	*	3/2001	Cheldin	.....	D8/48

\* cited by examiner

*Primary Examiner*—Cathron C. Brooks

*Assistant Examiner*—Austin Murphy

(74) *Attorney, Agent, or Firm*—Michael Blaine Brooks,  
P.C.; Rosemarie F. Jones; David A. Cordeiro

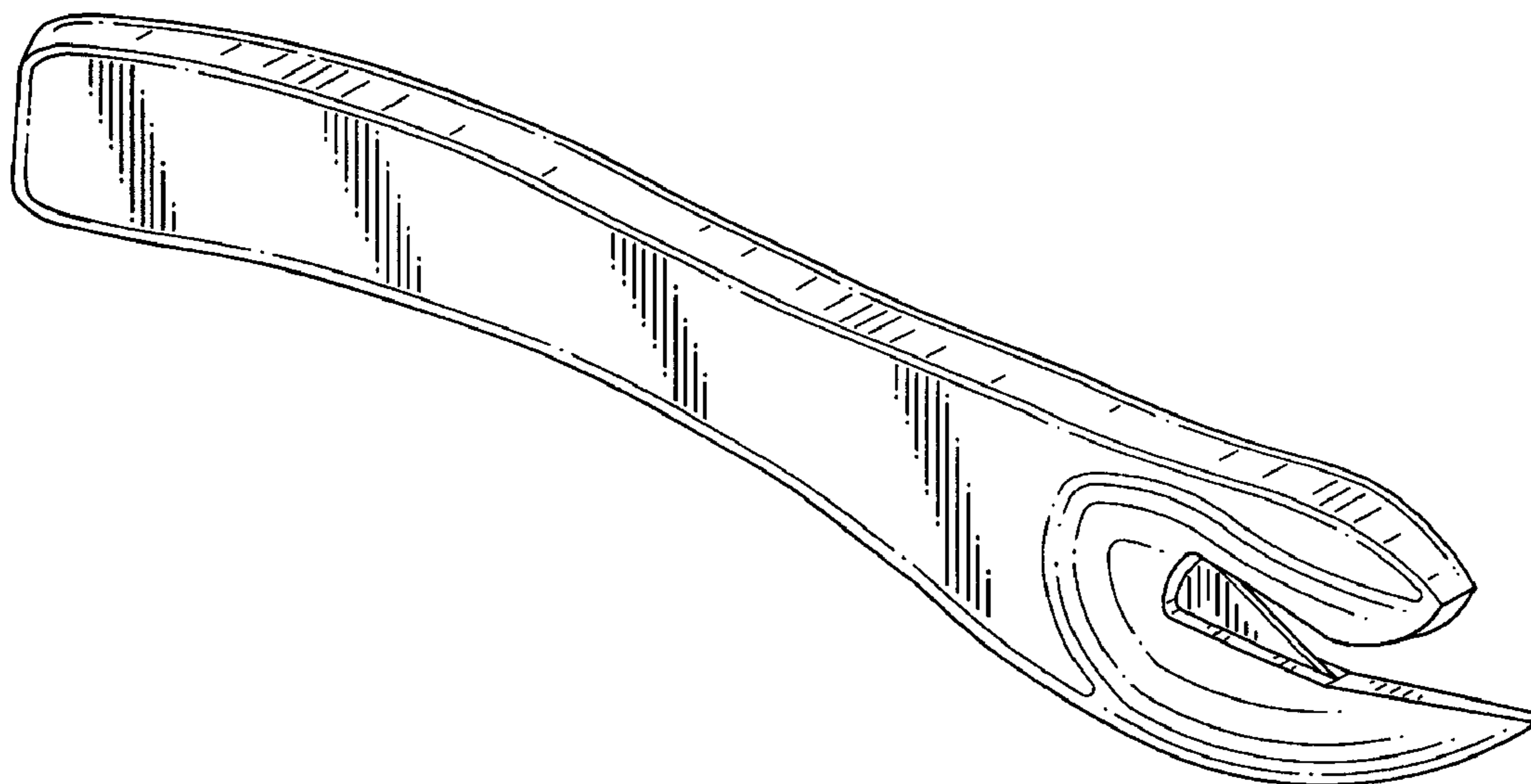
(57) **CLAIM**

I claim the ornamental design for a letter opener, as shown and described.

**DESCRIPTION**

FIG. 1 is a left perspective view of the letter opener;  
FIG. 2 is a left side elevational view of the letter opener;  
FIG. 3 is a top plan view of the letter opener;  
FIG. 4 is a right side elevational view of the letter opener;  
FIG. 5 is a bottom plan view of the letter opener;  
FIG. 6 is a front elevational view of the letter opener; and,  
FIG. 7 is a back elevational view of the letter opener.

**1 Claim, 2 Drawing Sheets**



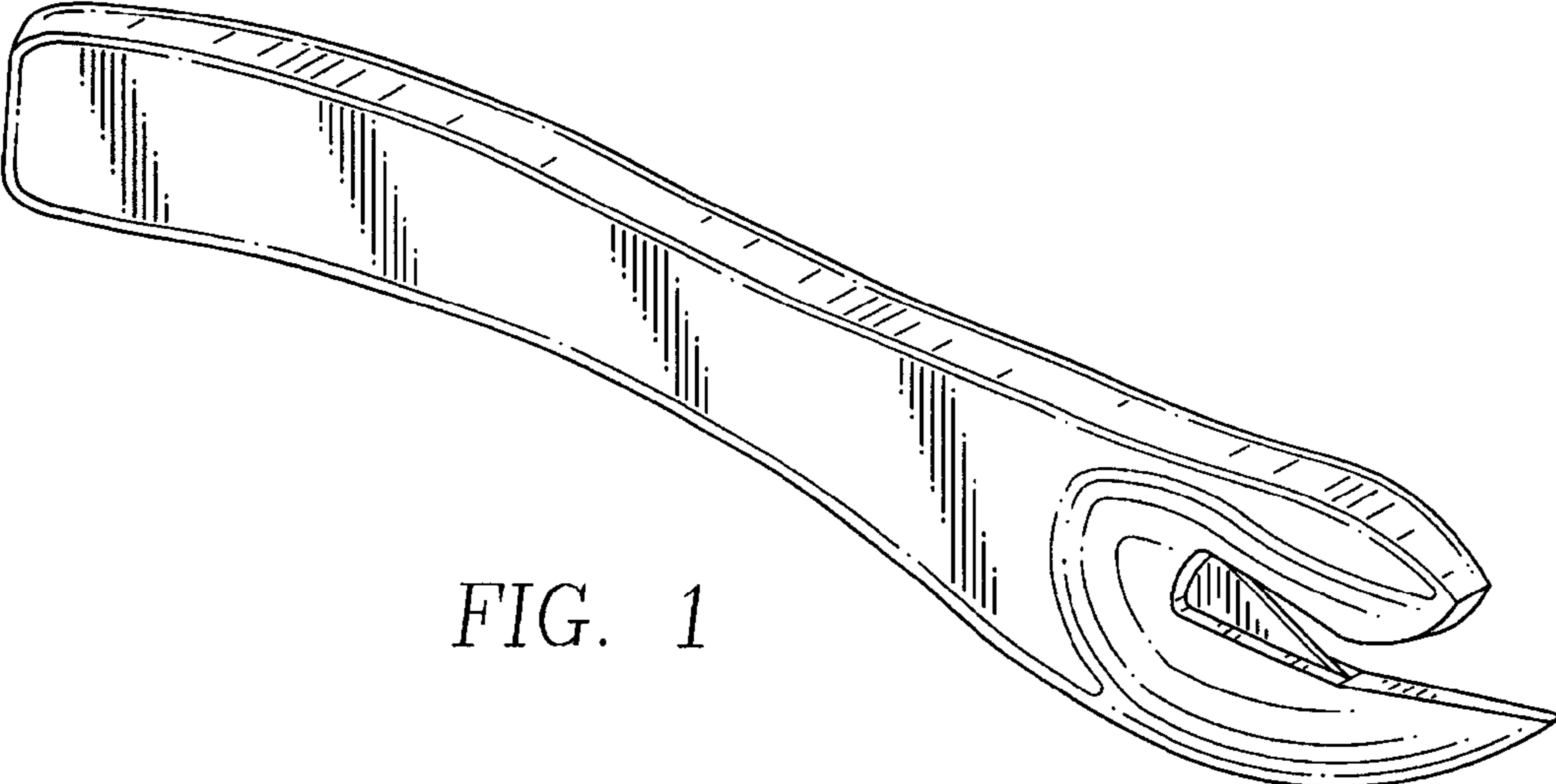


FIG. 1

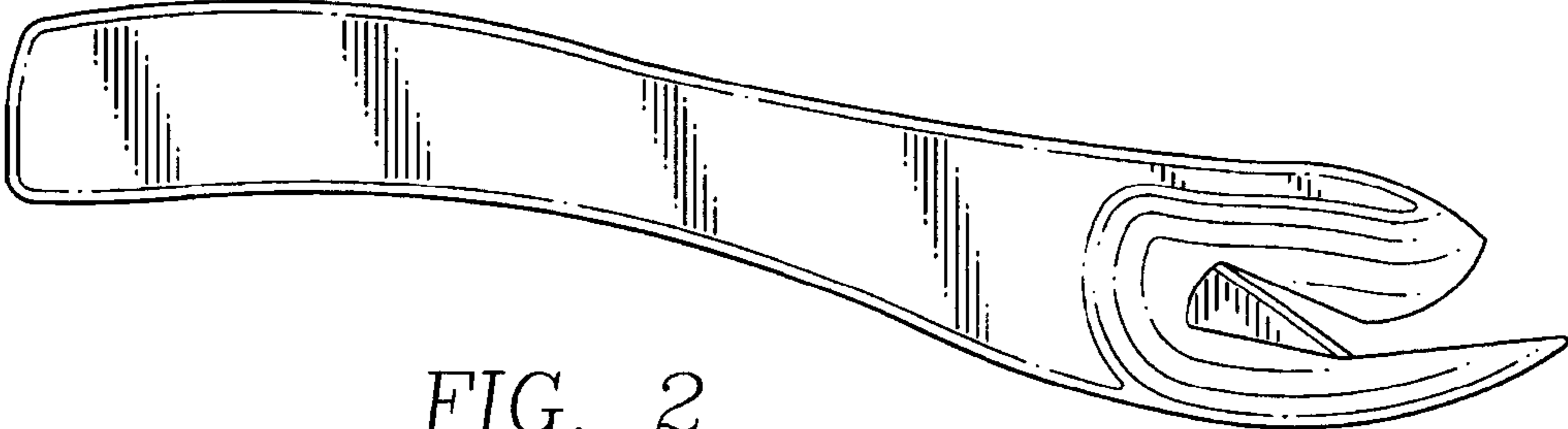


FIG. 2

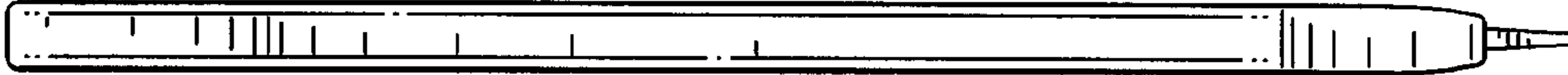


FIG. 3

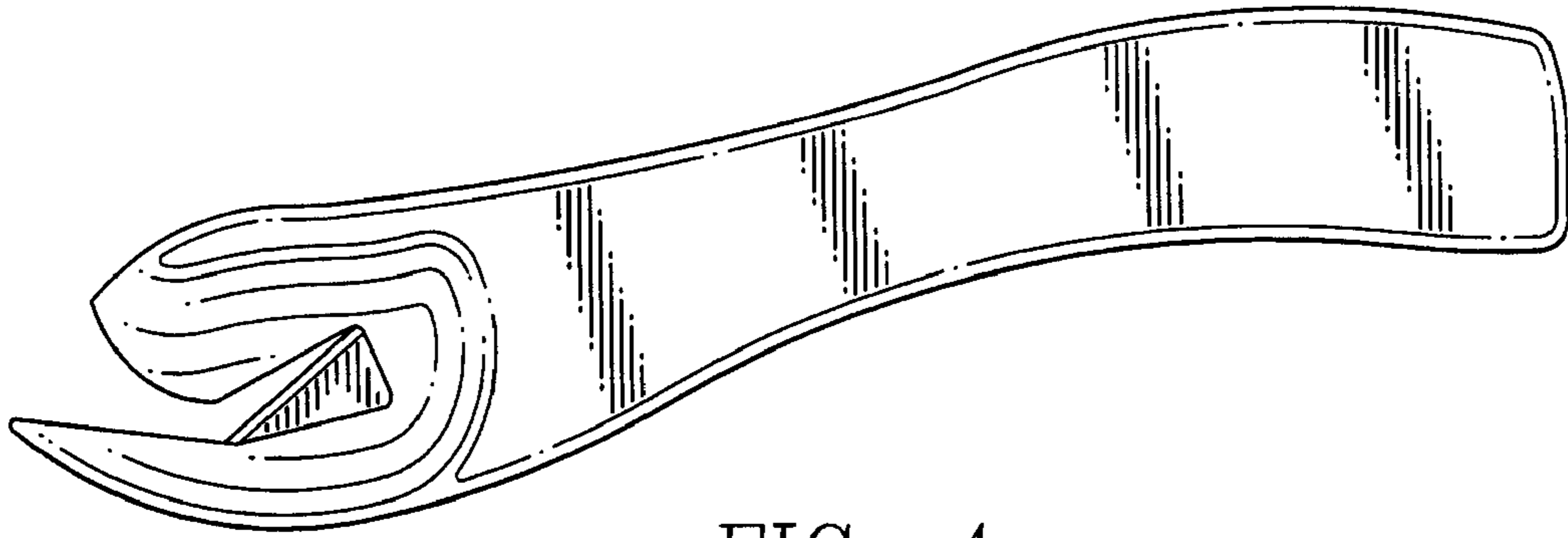


FIG. 4

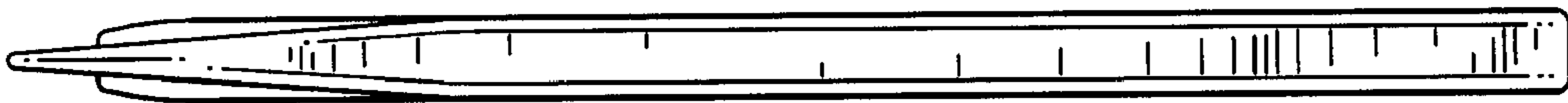


FIG. 5



FIG. 6



FIG. 7