



US00D514914S

(12) **United States Design Patent**
Degen

(10) **Patent No.:** **US D514,914 S**
(45) **Date of Patent:** **** Feb. 14, 2006**

(54) **CLAMP**
(75) **Inventor:** **Klemens Degen, Weibern (DE)**
(73) **Assignee:** **Wolfcraft GmbH, Kempenich (DE)**
(**) **Term:** **14 Years**

5,207,030 A 5/1993 Herrmann
5,791,210 A 8/1998 Wolff et al.
D433,318 S * 11/2000 Chang D8/395
D457,409 S * 5/2002 Noniewicz D8/72
D479,787 S * 9/2003 Degen D8/72
D481,921 S * 11/2003 Ben-Gigi D8/72
D485,481 S * 1/2004 Wolff D8/72

(21) **Appl. No.:** **29/198,081**
(22) **Filed:** **Jan. 22, 2004**
(30) **Foreign Application Priority Data**

Aug. 1, 2003 (EM) 000060652

(51) **LOC (8) Cl.** **08-05**
(52) **U.S. Cl.** **D8/72**
(58) **Field of Classification Search** D8/71-74,
D8/52, 54; 81/320, 325, 328, 300, 302, 314,
81/323, 324, 418, 421, 338, 392; 269/6
See application file for complete search history.

(56) **References Cited**

U.S. PATENT DOCUMENTS

544,268 A 8/1895 Unsinger et al.
3,263,535 A 8/1966 Zurcher
3,779,108 A 12/1973 Reiter
5,022,291 A 6/1991 McBain
5,143,359 A 9/1992 Bush

* cited by examiner

Primary Examiner—Louis S. Zarfaz
Assistant Examiner—John Windmuller
(74) *Attorney, Agent, or Firm*—Everest Intellectual
Property Law Group

(57) **CLAIM**

I claim the ornamental design for a clamp, as shown and described.

DESCRIPTION

FIG. 1 is a bottom view of a clamp of the claimed design. FIG. 2 is a front elevational view of the clamp of FIG. 1. FIG. 3 is a top view of the clamp of FIG. 2. FIG. 4 is a right side view of the clamp of FIG. 2. FIG. 5 is a left side view of the clamp of FIG. 2. FIG. 6 is a rear elevational view of the clamp of FIG. 2; and, FIG. 7 is a perspective view of the clamp of FIG. 2.

1 Claim, 2 Drawing Sheets

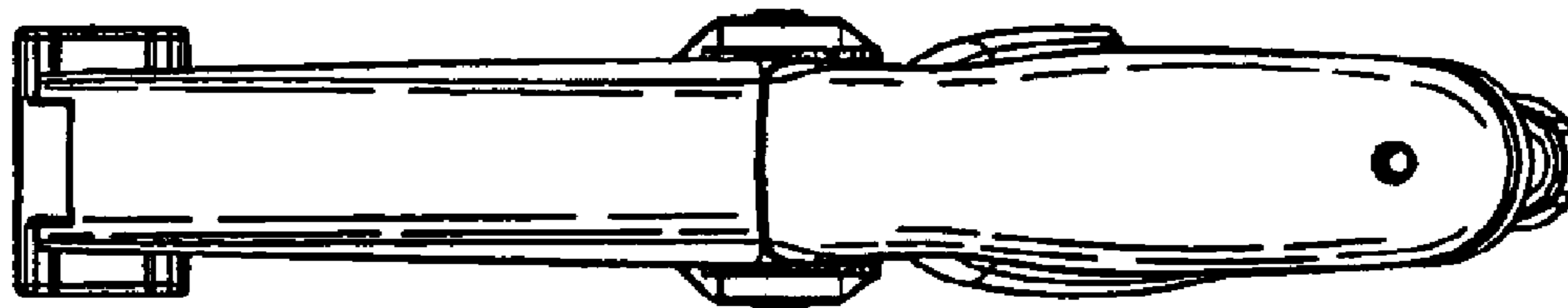


Fig. 1

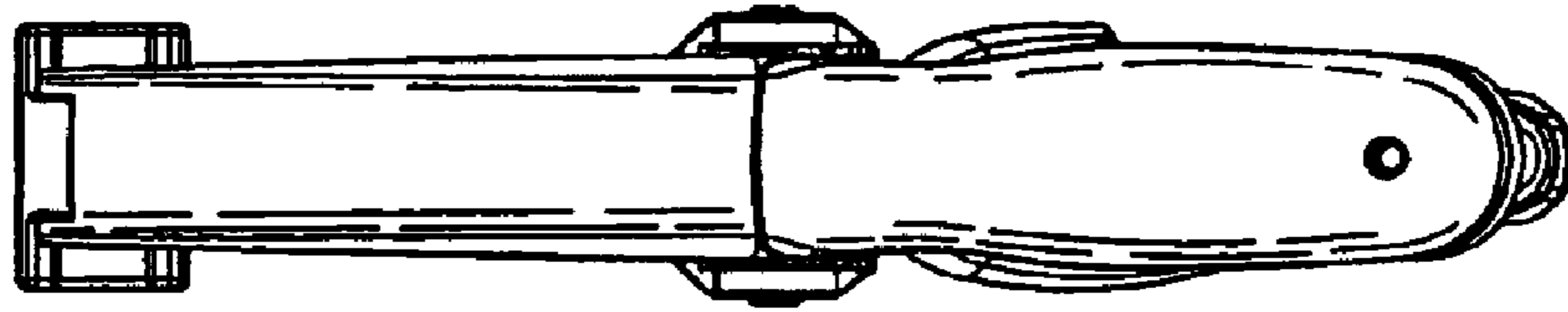


Fig. 2

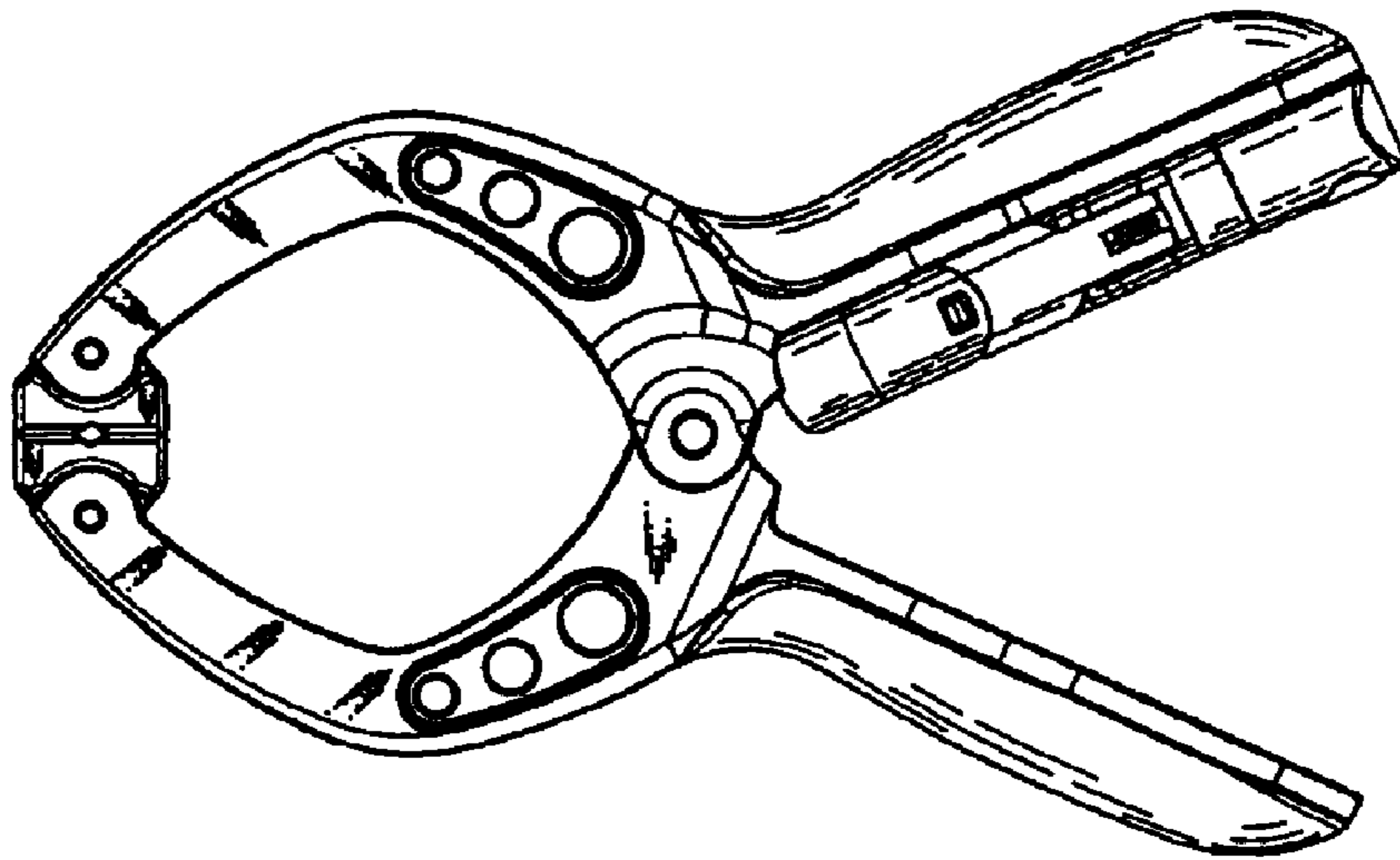


Fig. 3

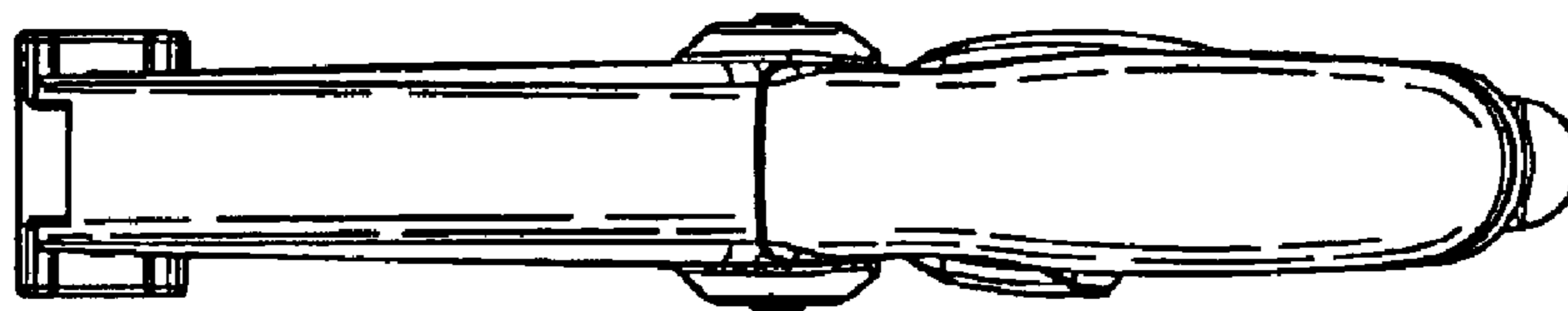


Fig. 4

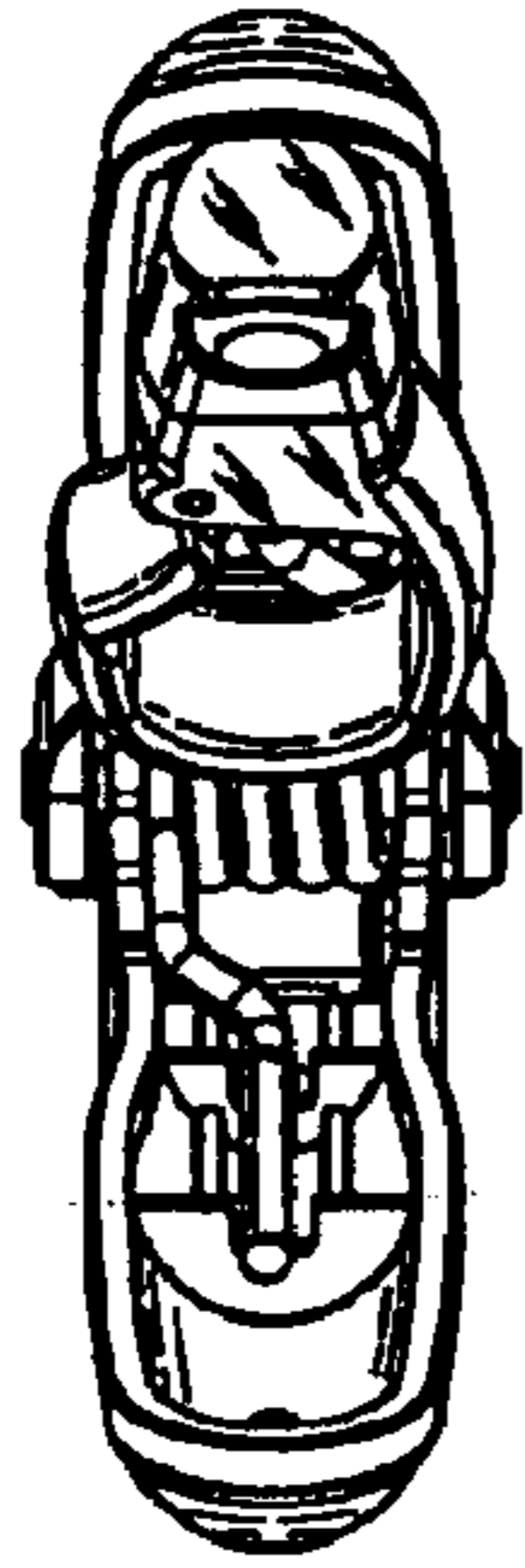


Fig. 5

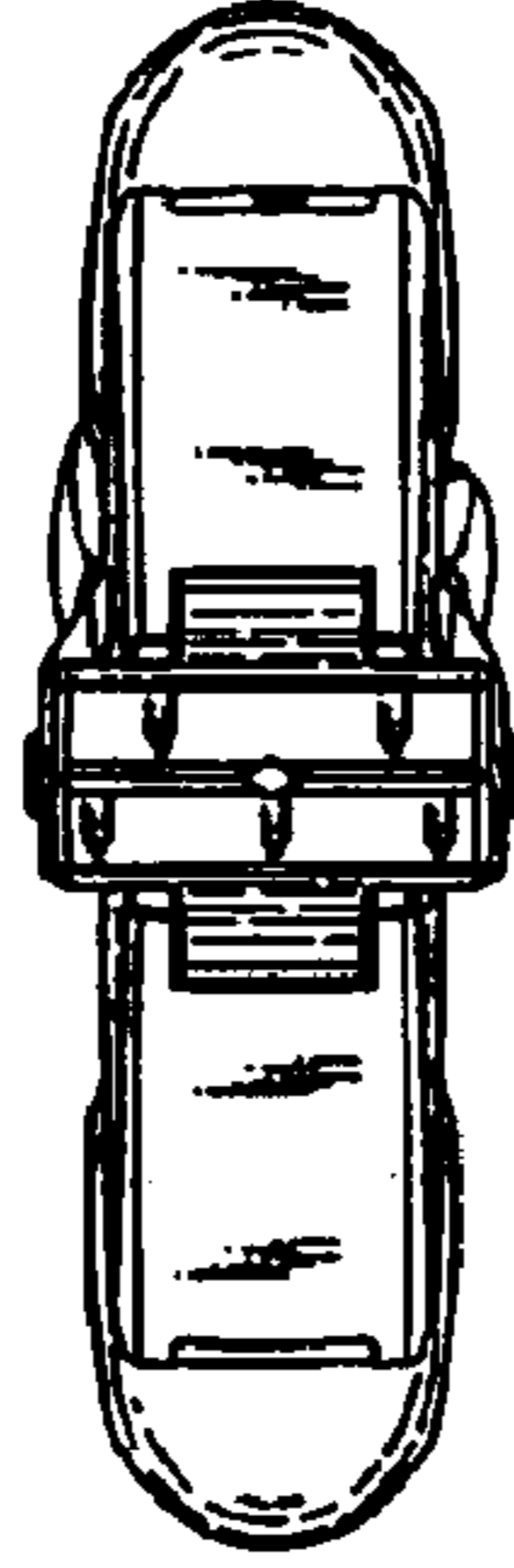


Fig. 6

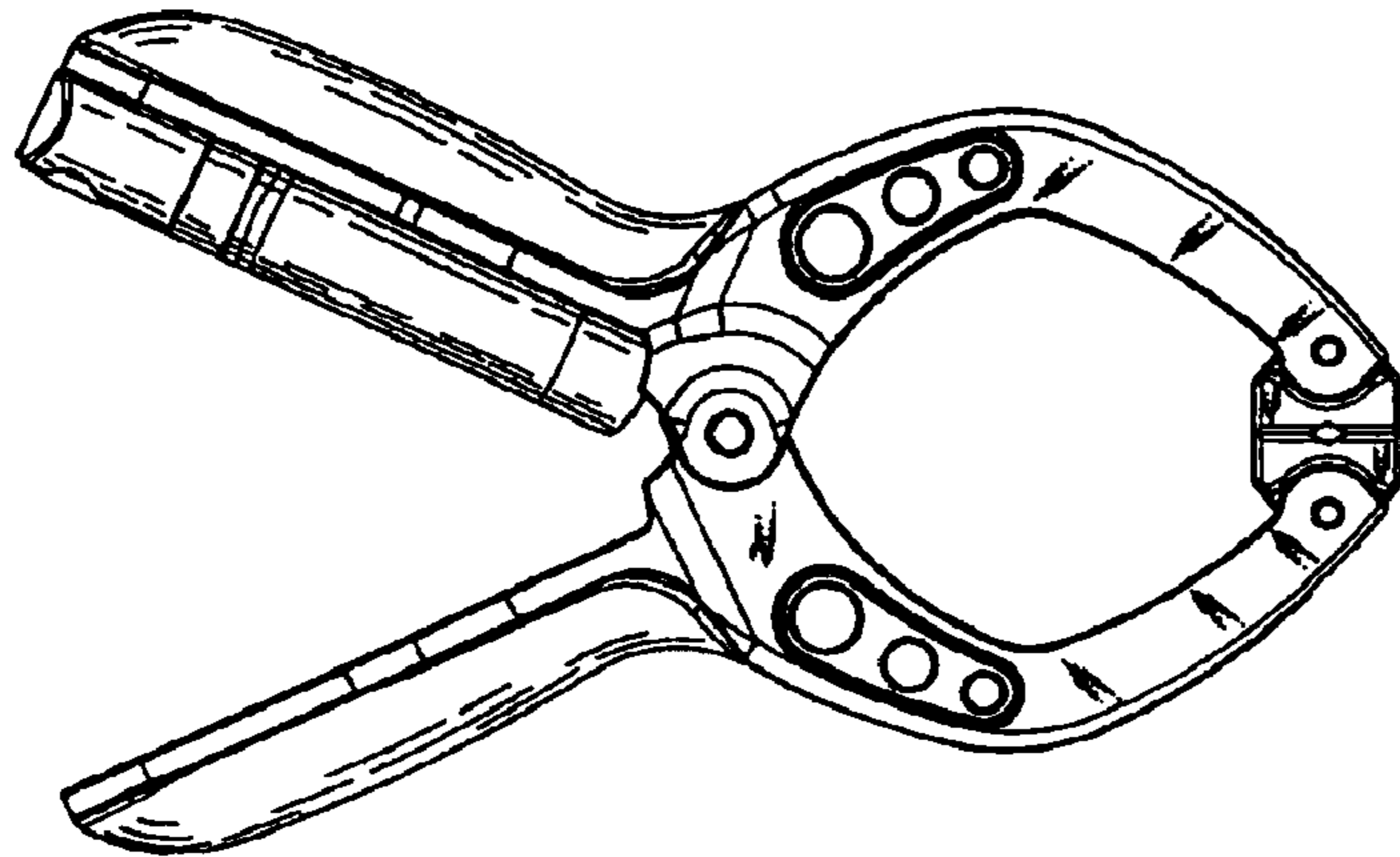


Fig. 7

