



US00D514912S

(12) **United States Design Patent** (10) **Patent No.:** **US D514,912 S**  
**Gibbons et al.** (45) **Date of Patent:** **\*\* Feb. 14, 2006**

(54) **SCREW LOADER**

(75) Inventors: **Louis A. Gibbons**, Stevensville, MD (US); **David C. Campbell**, Bel Air, MD (US); **Rod Muir**, South Mountain (CA); **Aldo Balatti**, Greely (CA); **John S. Roemer**, McAllen, TX (US)

(73) Assignee: **Black & Decker Inc.**, Newark, DE (US)

(\*\*) Term: **14 Years**

(21) Appl. No.: **29/198,798**

(22) Filed: **Feb. 4, 2004**

(51) **LOC (8) Cl.** ..... **08-04**

(52) **U.S. Cl.** ..... **D8/70**

(58) **Field of Classification Search** ..... D8/61, D8/62, 63, 64, 65, 66, 67, 68, 69, 70; D15/138, D15/139, 140; 81/54, 57.37, 430, 434, 435; 227/119

See application file for complete search history.

6,457,390 B1 \* 10/2002 Daubinger et al. .... 81/57.37  
6,701,806 B2 \* 3/2004 Swanson et al. .... 81/57.37  
6,862,963 B2 \* 3/2005 Habermehl et al. .... 81/434  
2003/0131690 A1 \* 7/2003 Swanson et al. .... 81/57.37  
2004/0226977 A1 \* 11/2004 Hofbrucker et al. .... 227/119  
2005/0039580 A1 \* 2/2005 Gibbons et al. .... 81/57.37

**FOREIGN PATENT DOCUMENTS**

DE M 89 03 687 5/1989  
DE M 90 05 602 8/1990  
DE M 92 01 773 9/1991  
DE M 96 03 463 11/1995  
DE 400 06 349 4/2000

\* cited by examiner

*Primary Examiner*—Gary D. Watson  
*Assistant Examiner*—T. Chase Nelson

(74) *Attorney, Agent, or Firm*—Harness, Dickey & Pierce, P.L.C.

(57) **CLAIM**

The ornamental design for a screw loader, as shown and described.

**DESCRIPTION**

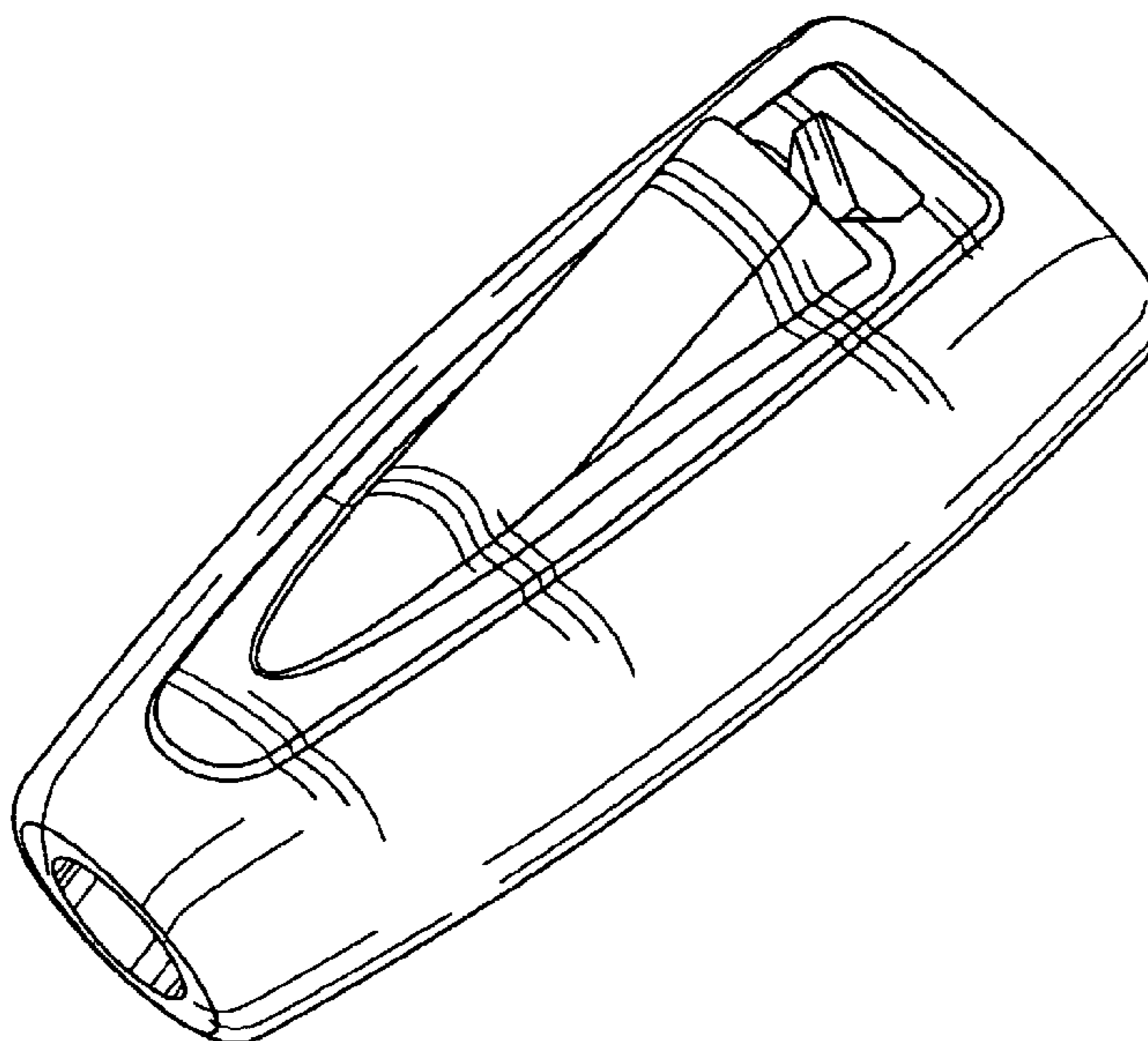
FIG. 1 is a perspective view of a screw loader according to the present invention;  
FIG. 2 is a side elevational view of the present invention;  
FIG. 3 is an opposite side elevational view of the present invention;  
FIG. 4 is a top elevational view of the present invention;  
FIG. 5 is a bottom elevational view of the present invention;  
FIG. 6 is a front elevational view of the present invention;  
and,  
FIG. 7 is a rear elevational view of the present invention.  
All broken lines form no part of the claimed design.

(56) **References Cited**

**U.S. PATENT DOCUMENTS**

2,670,770 A \* 3/1954 Potterton ..... 81/57.37  
3,266,537 A \* 8/1966 Ulbing ..... 81/430  
3,907,014 A \* 9/1975 Manino ..... 81/433  
4,397,412 A 8/1983 Dewey  
D383,656 S 9/1997 Muro  
D387,963 S 12/1997 Clark  
D389,028 S 1/1998 Muro  
D391,135 S \* 2/1998 Habermehl et al. .... D8/70  
5,740,705 A 4/1998 Graham  
D403,940 S 1/1999 Steinfeldt  
D438,769 S 3/2001 Deziel  
D440,137 S \* 4/2001 Muro et al. .... D8/70  
6,439,085 B1 \* 8/2002 Habermehl et al. .... 81/435

**1 Claim, 2 Drawing Sheets**



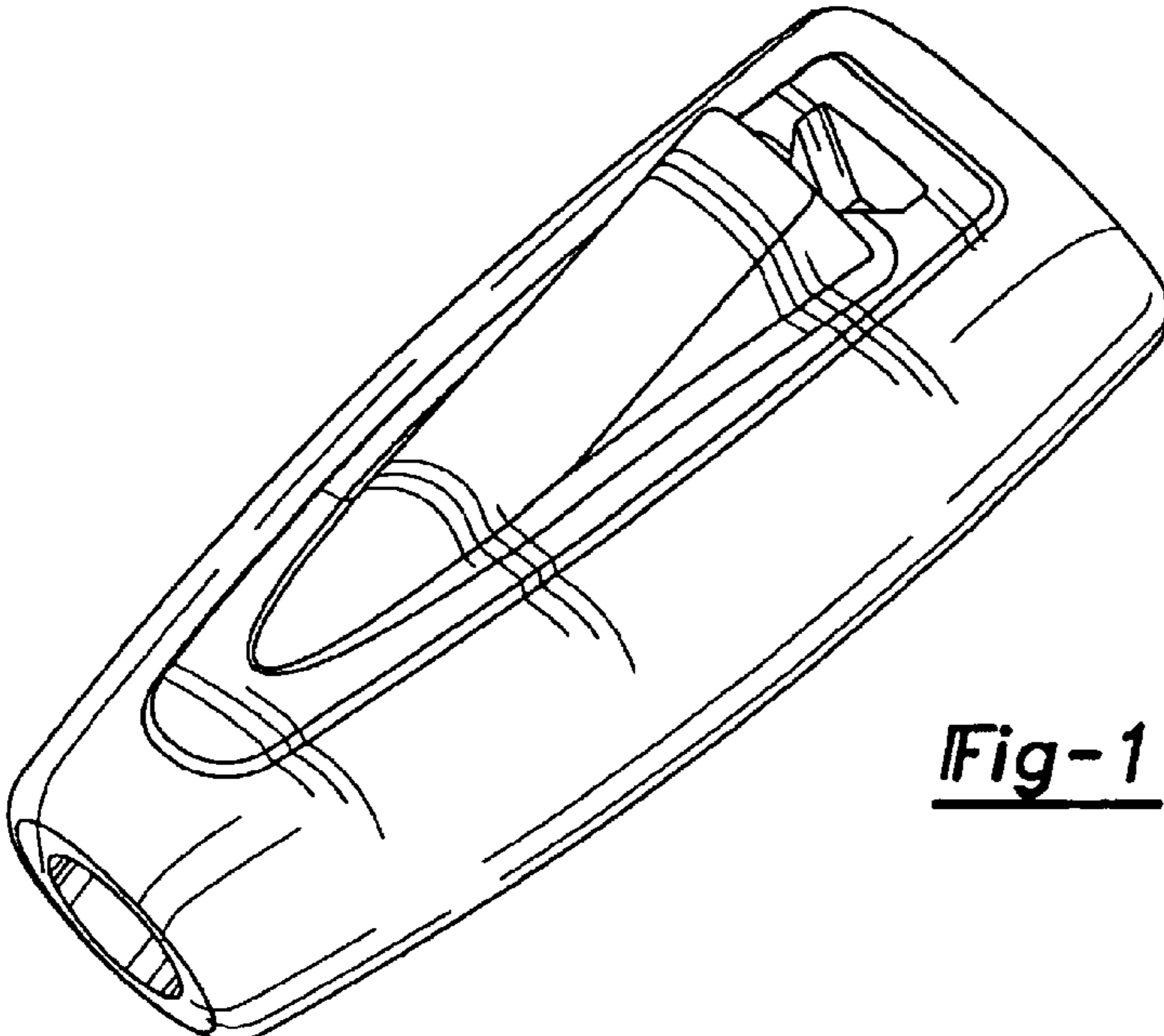


Fig-1

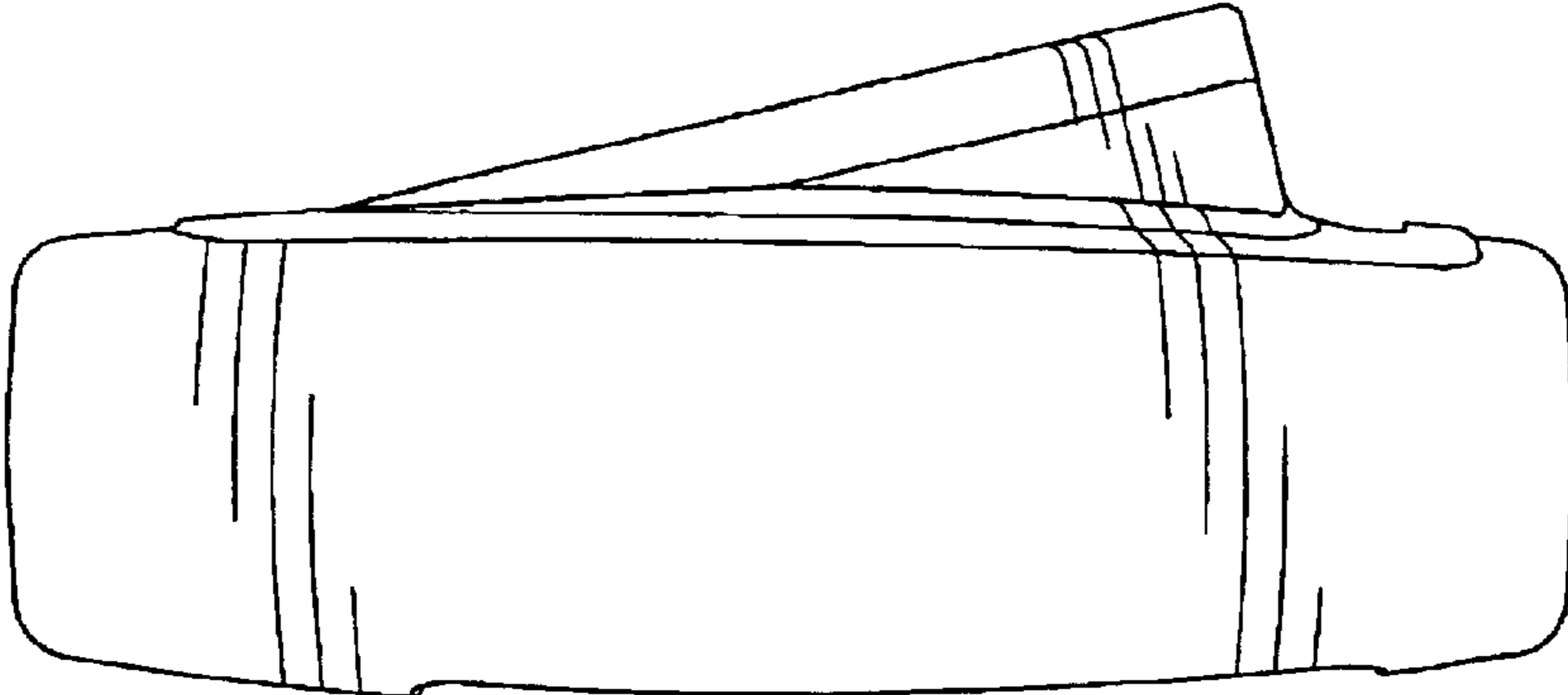


Fig-2

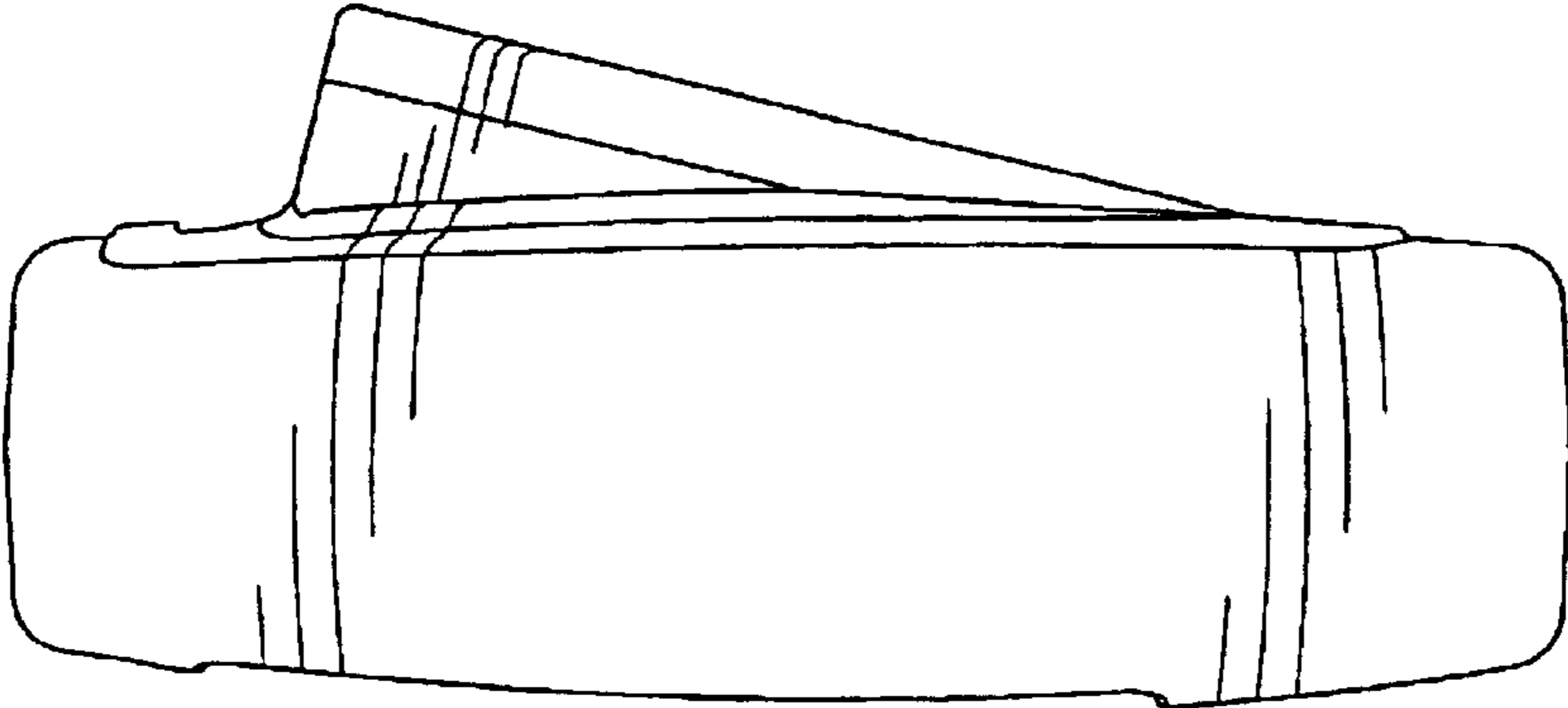


Fig-3

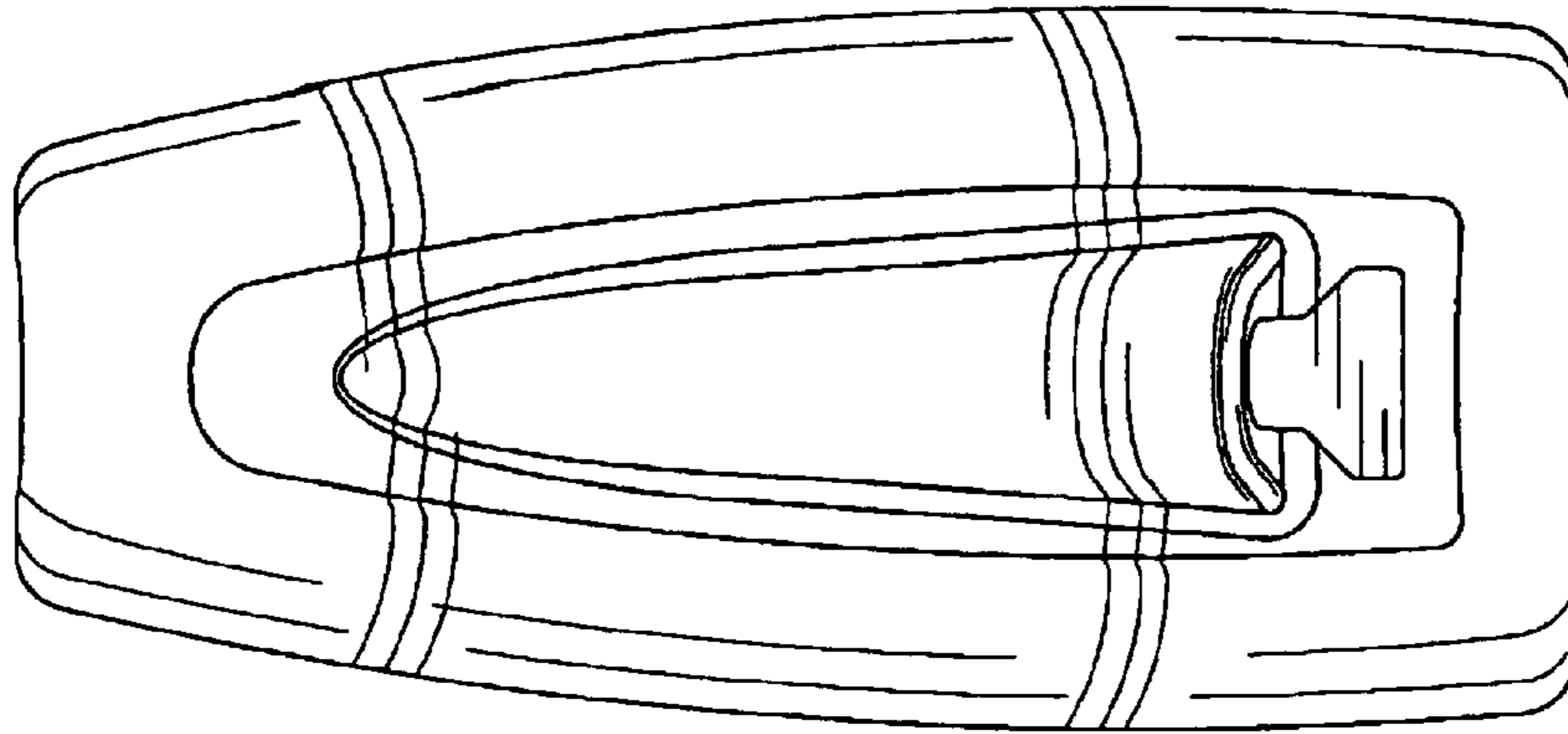


Fig-4

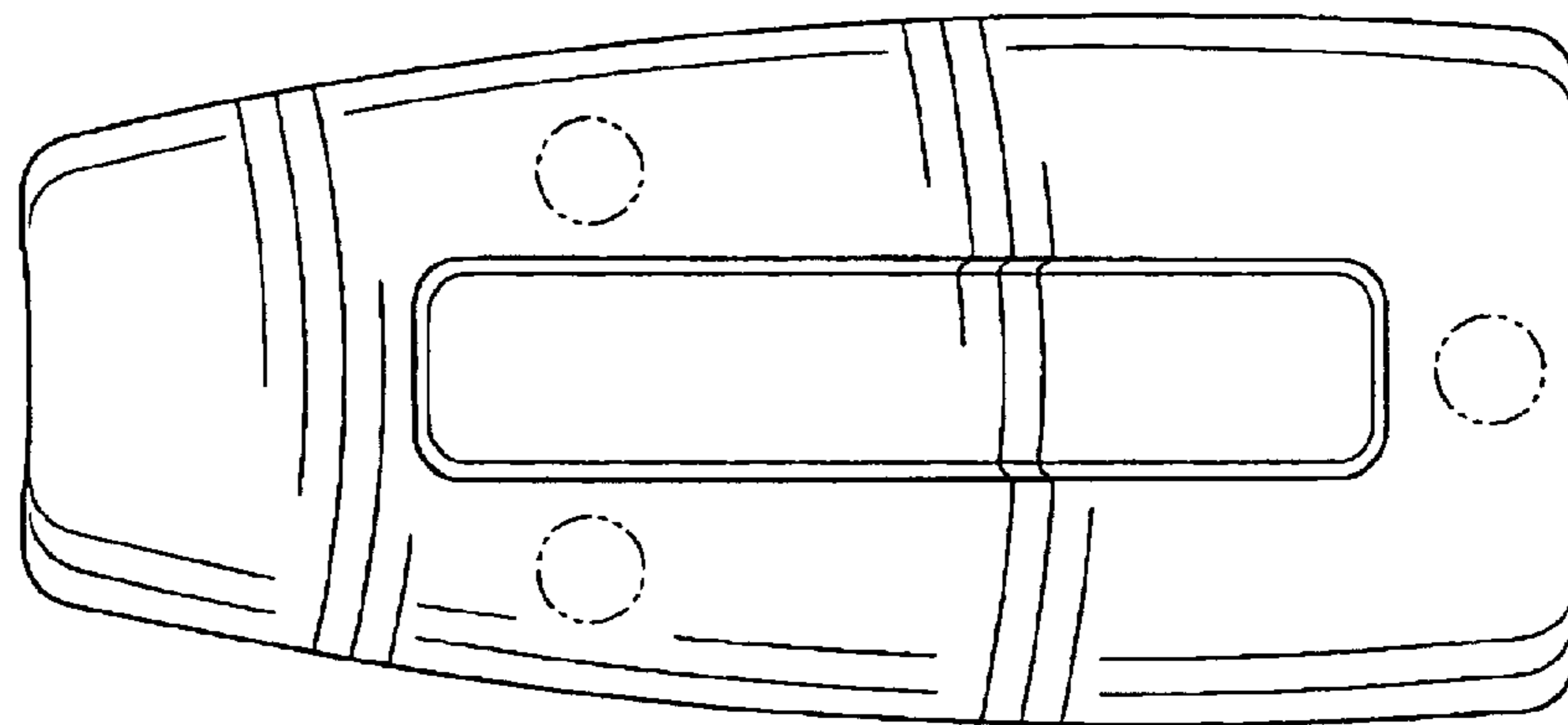


Fig-5

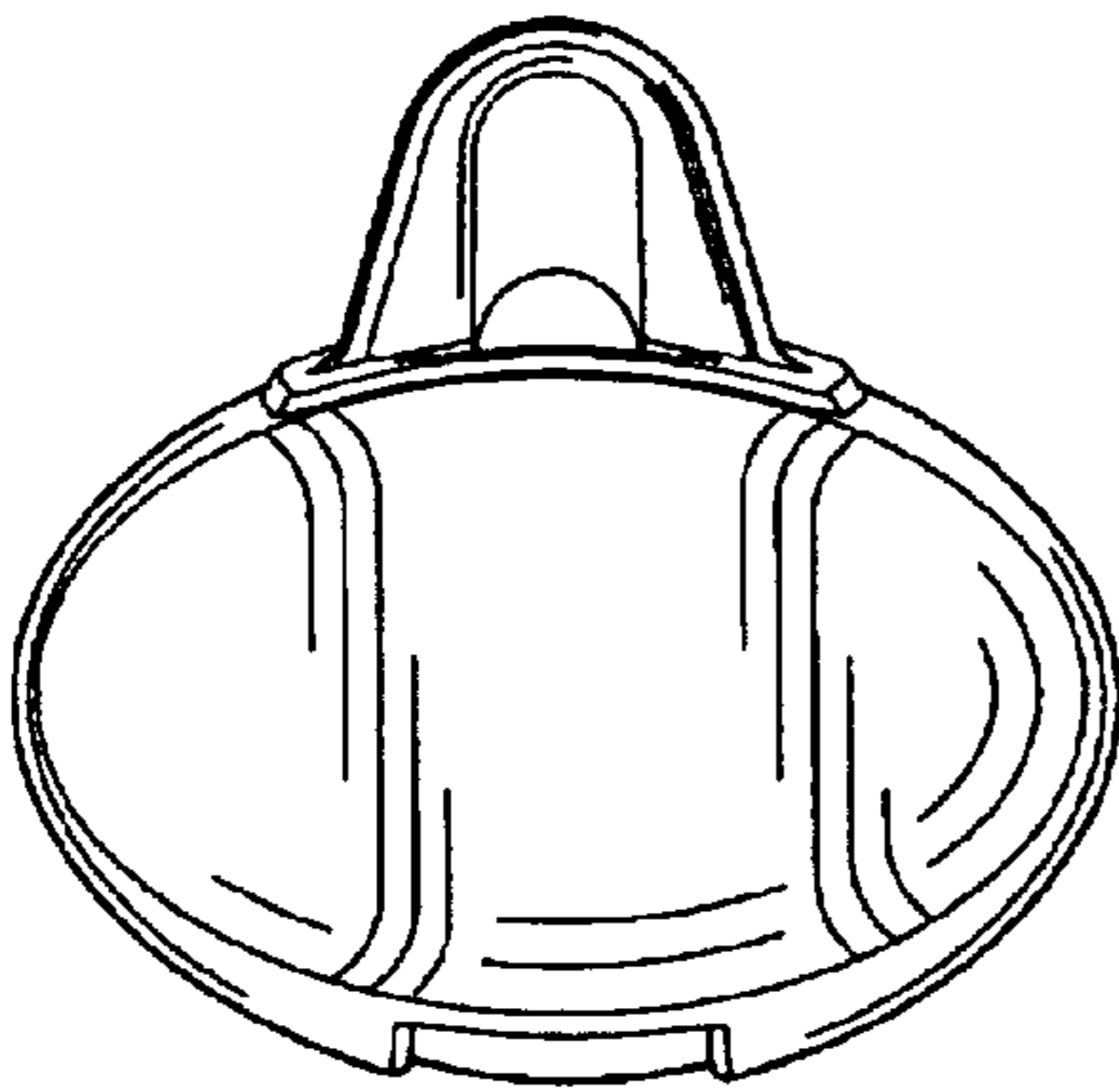


Fig-6

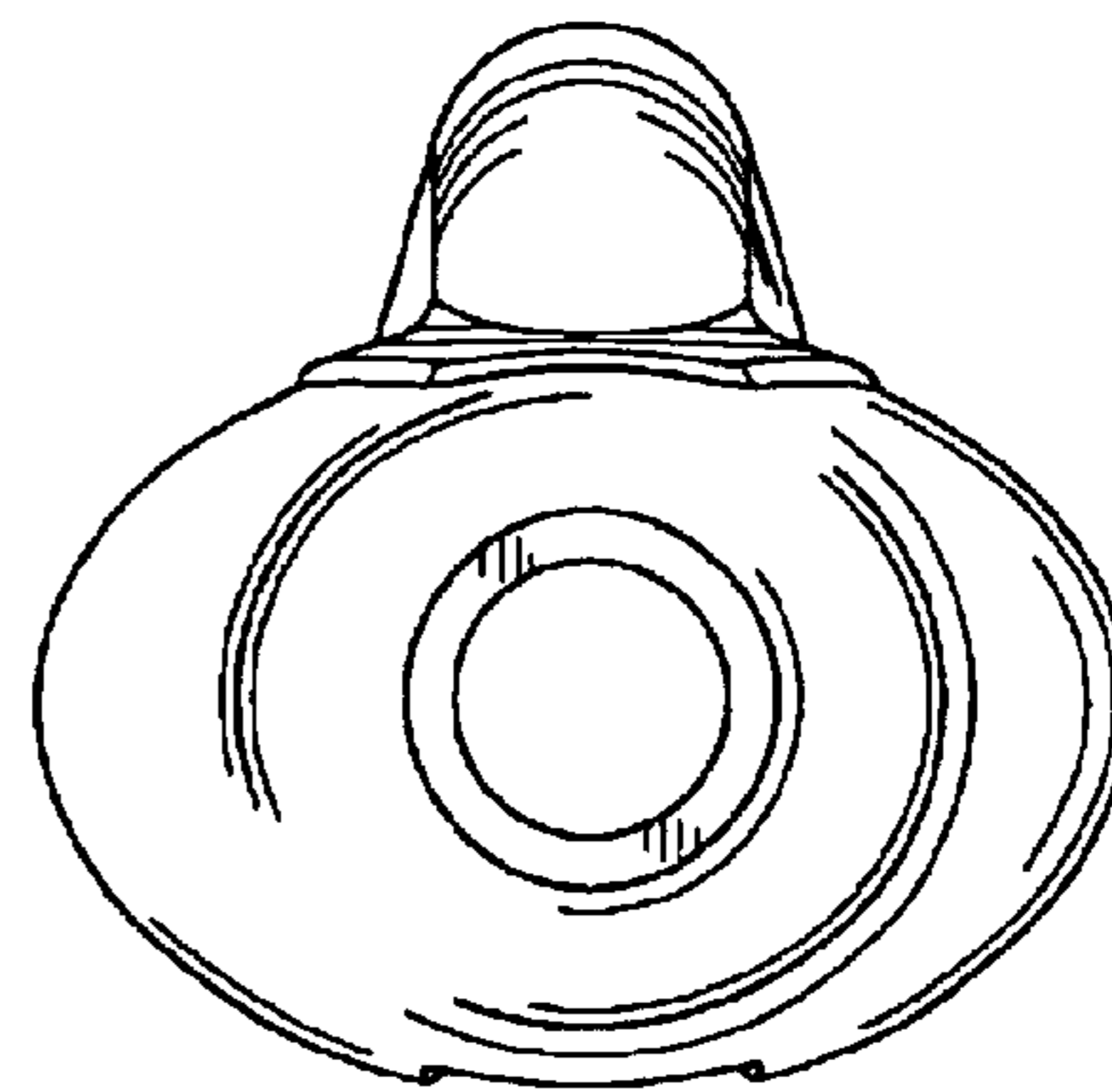


Fig-7