



US00D514911S

(12) **United States Design Patent**  
**Thomas et al.**

(10) **Patent No.: US D514,911 S**  
(45) **Date of Patent: \*\* Feb. 14, 2006**

(54) **ANGLED FINISH NAILER**  
(75) Inventors: **Benjamin J. Thomas**, Anderson, SC  
(US); **Taku Ohi**, Greer, SC (US)  
(73) Assignee: **Eastway Fair Company Limited** (VG)  
(\*\*) Term: **14 Years**

(21) Appl. No.: **29/221,214**  
(22) Filed: **Jan. 11, 2005**

(51) **LOC (8) Cl. .... 08-05**  
(52) **U.S. Cl. .... D8/69**  
(58) **Field of Classification Search** ..... D8/14.1,  
D8/61, 62, 63, 64, 65, 66, 67, 68, 69, 70;  
81/57.11, 429, 464, 465, 466, 469, 489; 173/13,  
173/169, 178, 213, 217; 227/8, 114, 120,  
227/130, 136, 142; 310/50; 408/20, 124,  
408/125, 234, 241 R; 451/358  
See application file for complete search history.

(56) **References Cited**

**U.S. PATENT DOCUMENTS**

D416,182 S \* 11/1999 Kaiser et al. .... D8/69  
D435,206 S \* 12/2000 Etter et al. .... D8/68  
6,158,643 A \* 12/2000 Phillips ..... 227/130  
6,186,386 B1 \* 2/2001 Canlas et al. .... 227/142  
6,199,739 B1 \* 3/2001 Mukoyama et al. .... 227/8  
6,371,348 B1 \* 4/2002 Canlas et al. .... 227/8  
D458,525 S \* 6/2002 Buck ..... D8/68  
D461,694 S \* 8/2002 Buck ..... D8/68

D477,976 S \* 8/2003 Liu ..... D8/68  
6,808,101 B2 \* 10/2004 Laubach et al. .... 227/136  
D499,623 S \* 12/2004 Buck ..... D8/68  
2001/0030218 A1 \* 10/2001 Adachi et al. .... 227/120  
2002/0104868 A1 \* 8/2002 Miller et al. .... 227/130  
2004/0112934 A1 \* 6/2004 Hamada et al. .... 227/120

**FOREIGN PATENT DOCUMENTS**

GB 2103183 S \* 2/2001  
GB 2103708 S \* 2/2001  
GB 3006207 S \* 8/2002

\* cited by examiner

*Primary Examiner*—Gary D. Watson  
*Assistant Examiner*—T. Chase Nelson

(74) *Attorney, Agent, or Firm*—Brinks Hofer Gilson & Lione

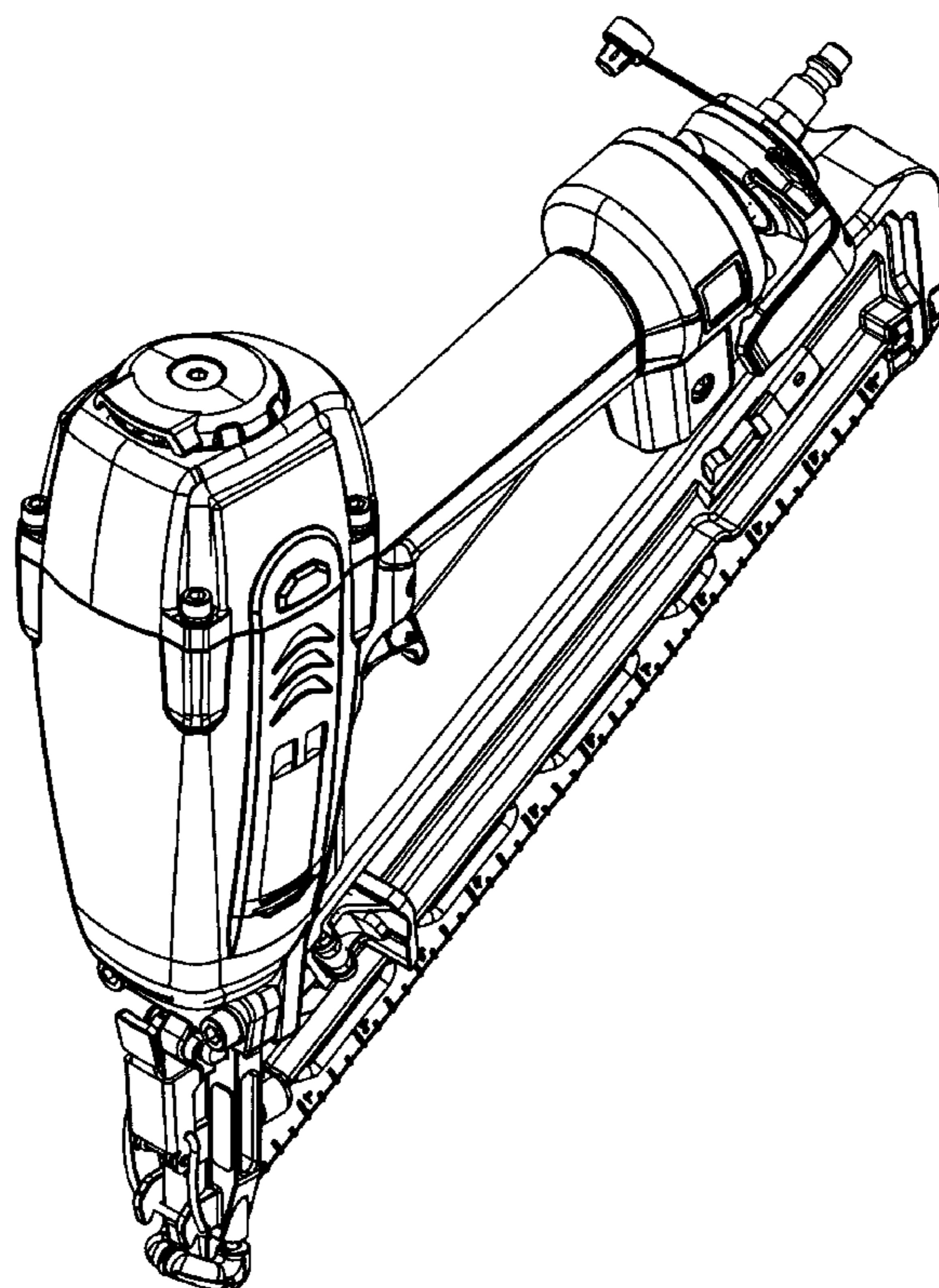
(57) **CLAIM**

We claim the ornamental design for an angled finish nailer, as shown and described.

**DESCRIPTION**

FIG. 1 is a top perspective view of an angled finish nailer of the present invention;  
FIG. 2 is a first side view thereof;  
FIG. 3 is a second side view thereof;  
FIG. 4 is a top view thereof;  
FIG. 5 is a bottom view thereof;  
FIG. 6 is a rear view thereof; and,  
FIG. 7 is a front view thereof.

**1 Claim, 5 Drawing Sheets**



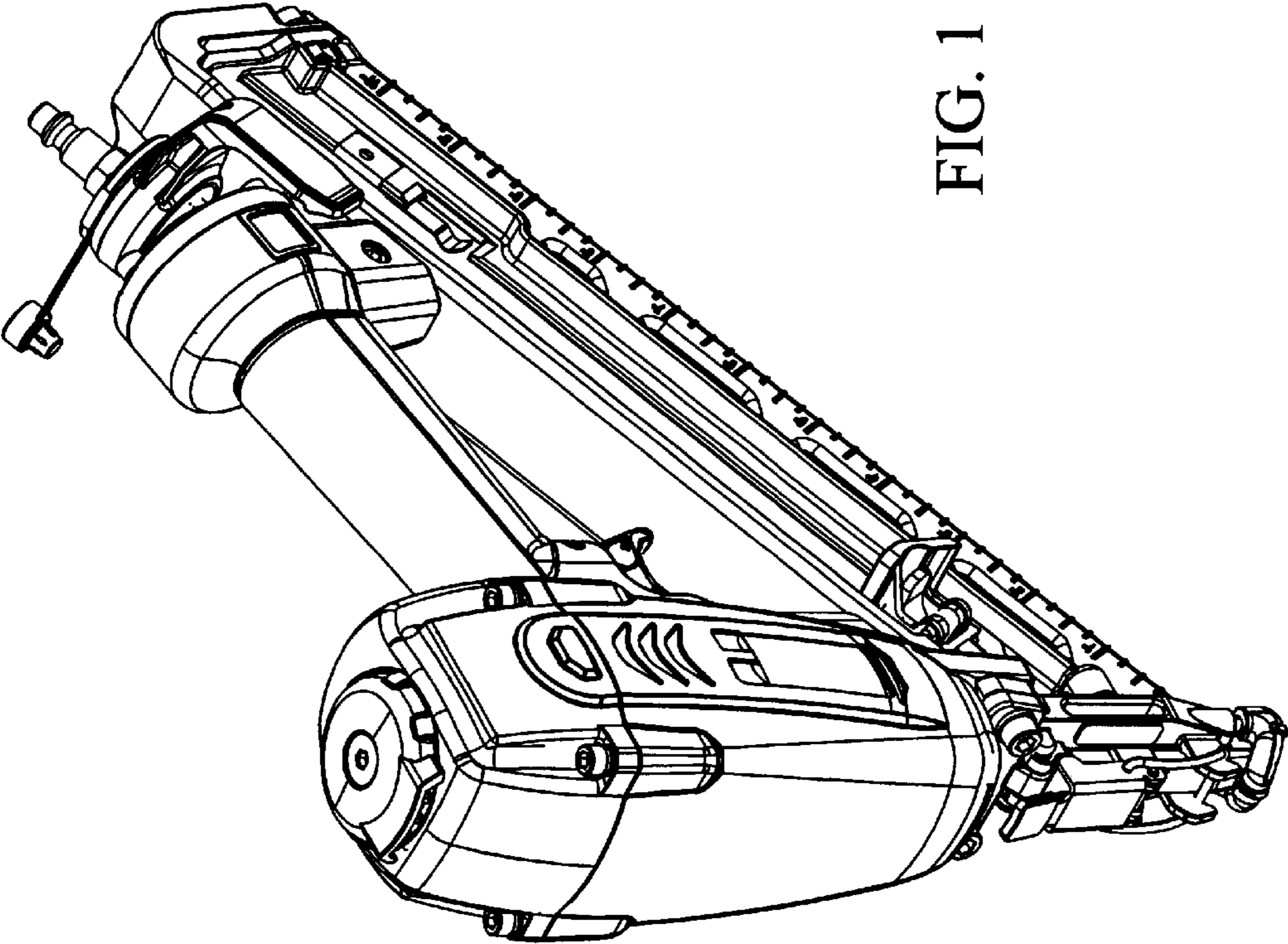


FIG. 1

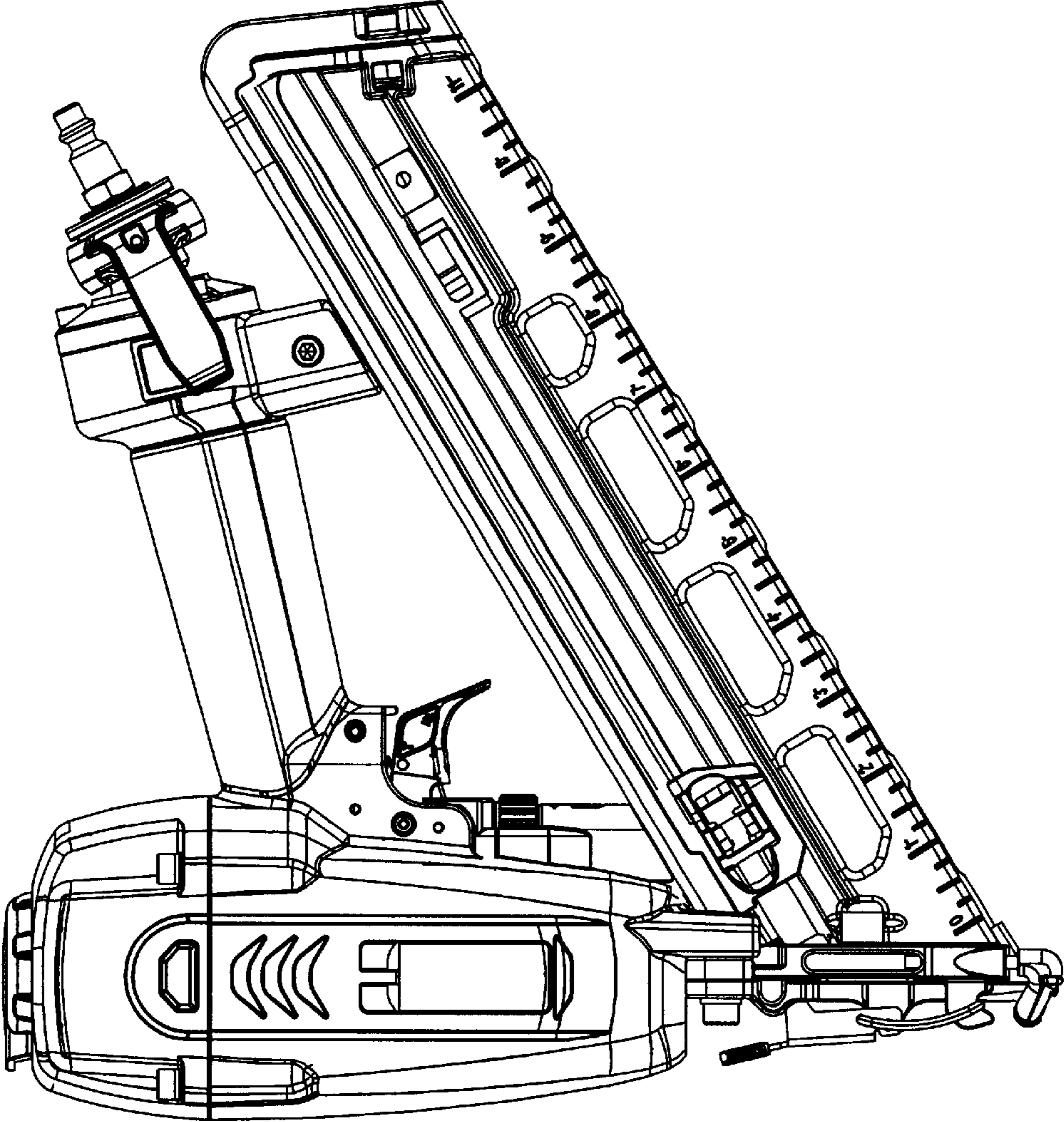
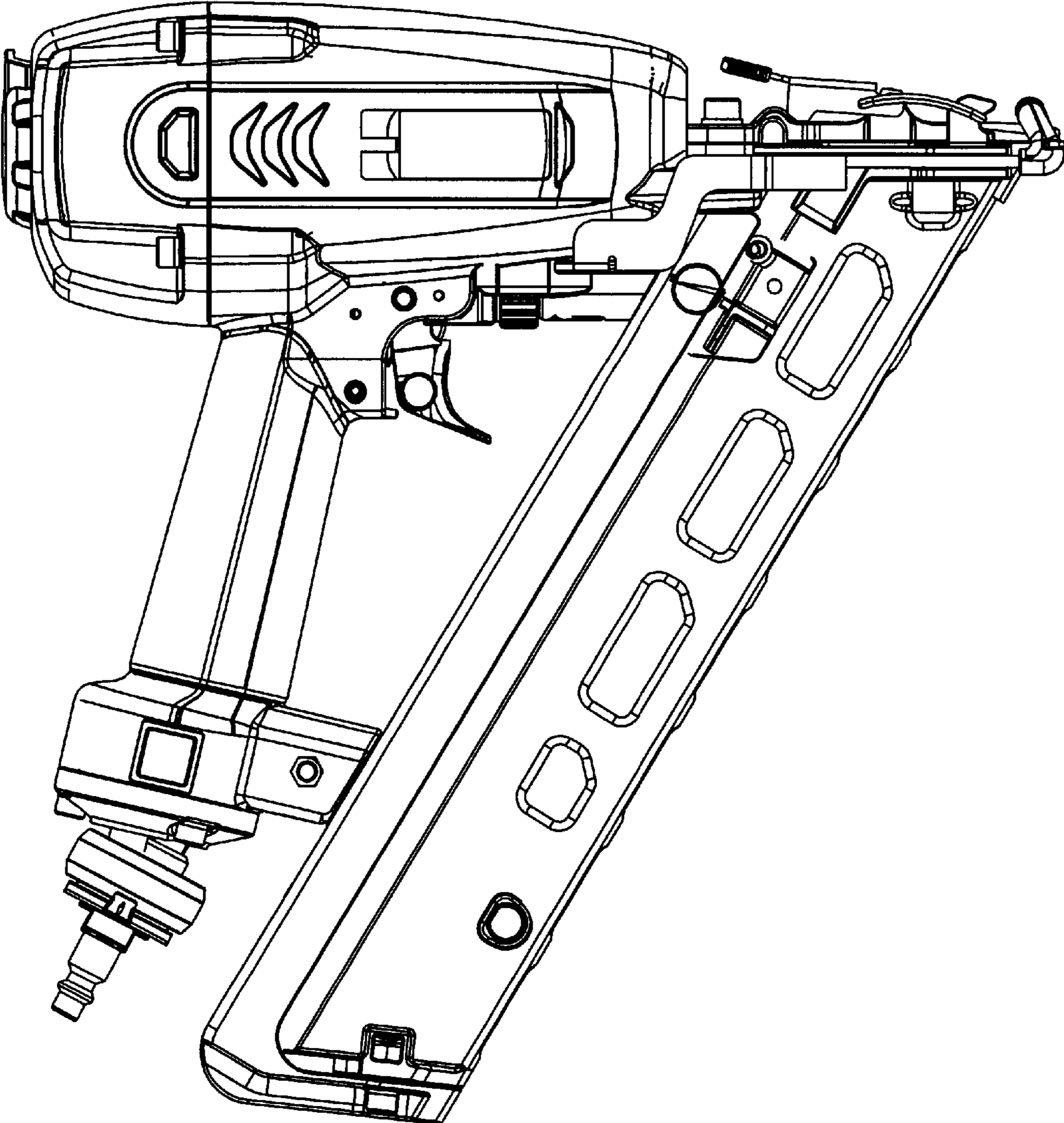


FIG. 2

FIG. 3



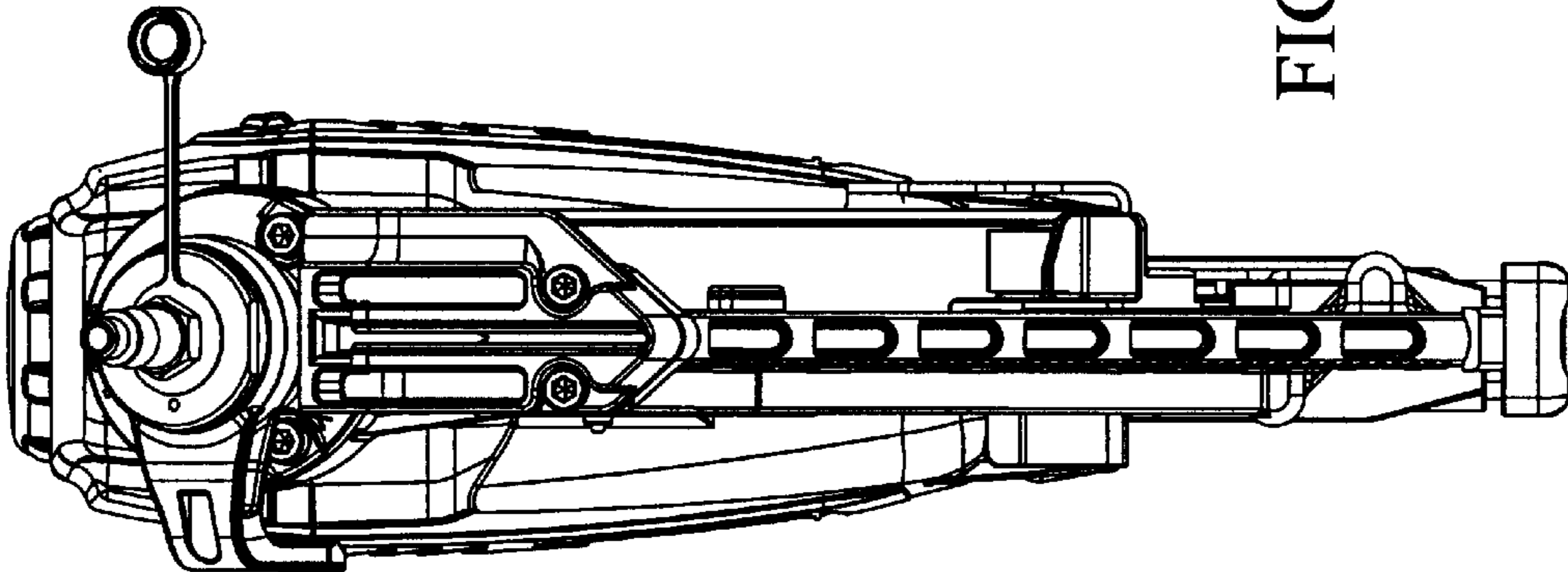


FIG. 5

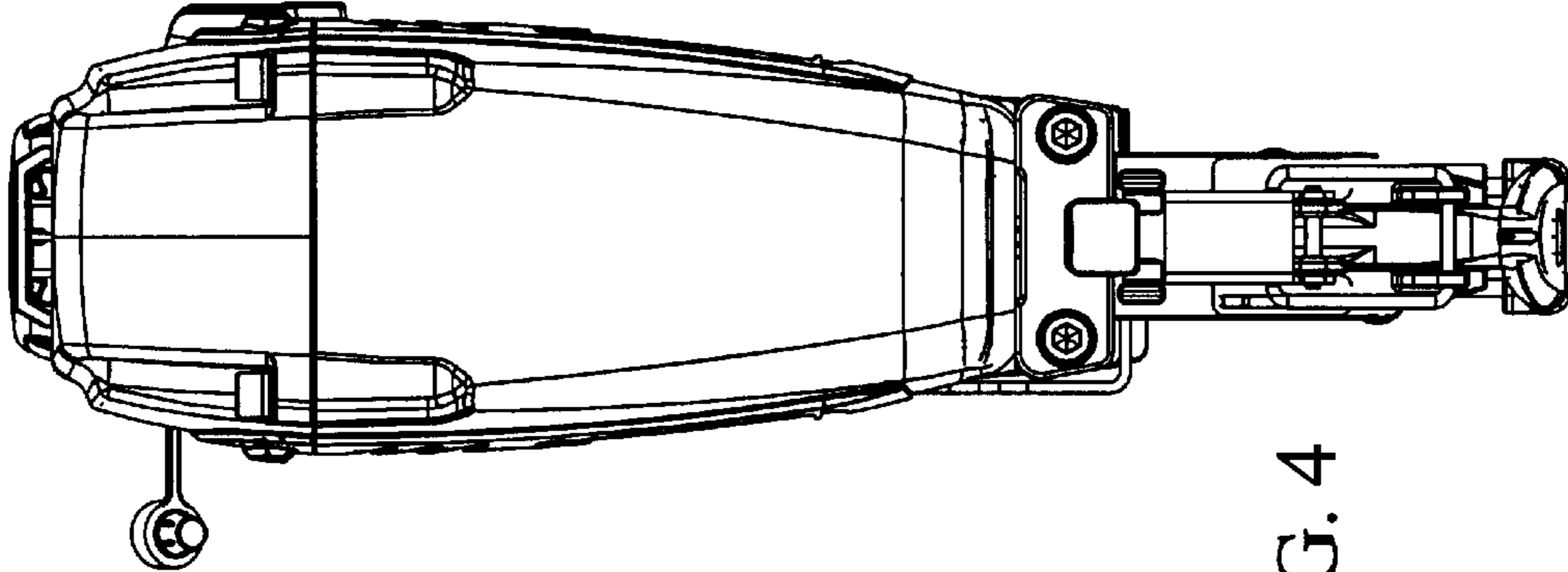


FIG. 4

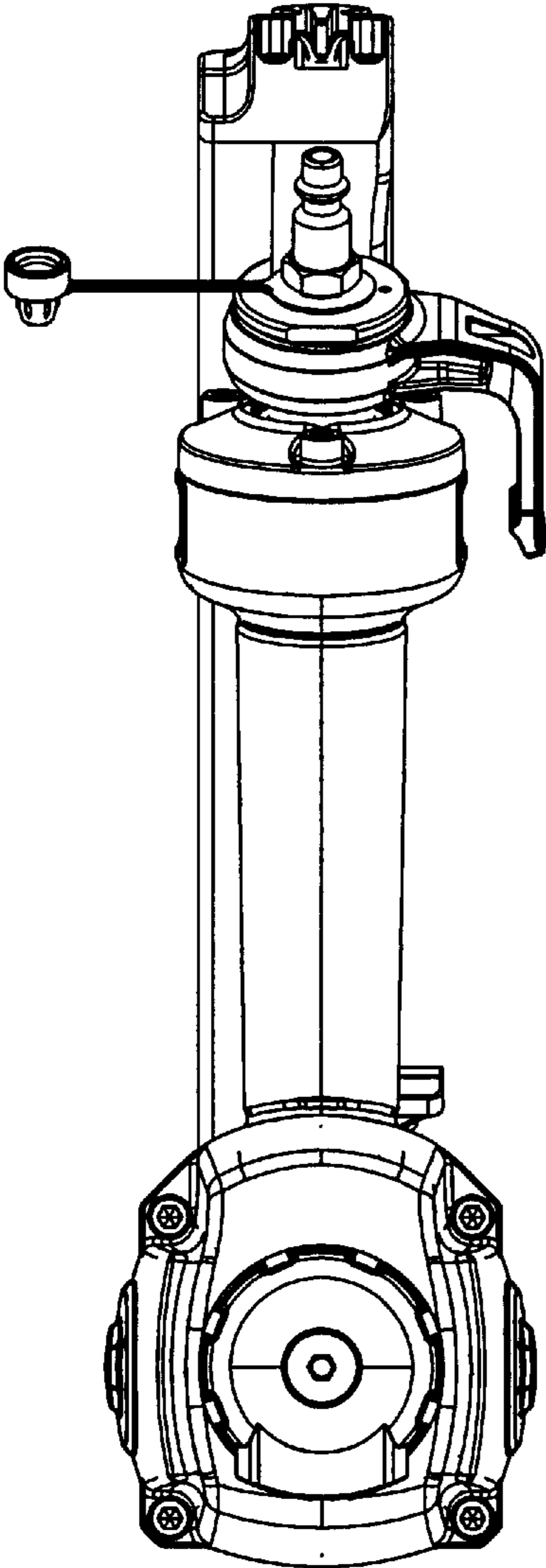


FIG. 6

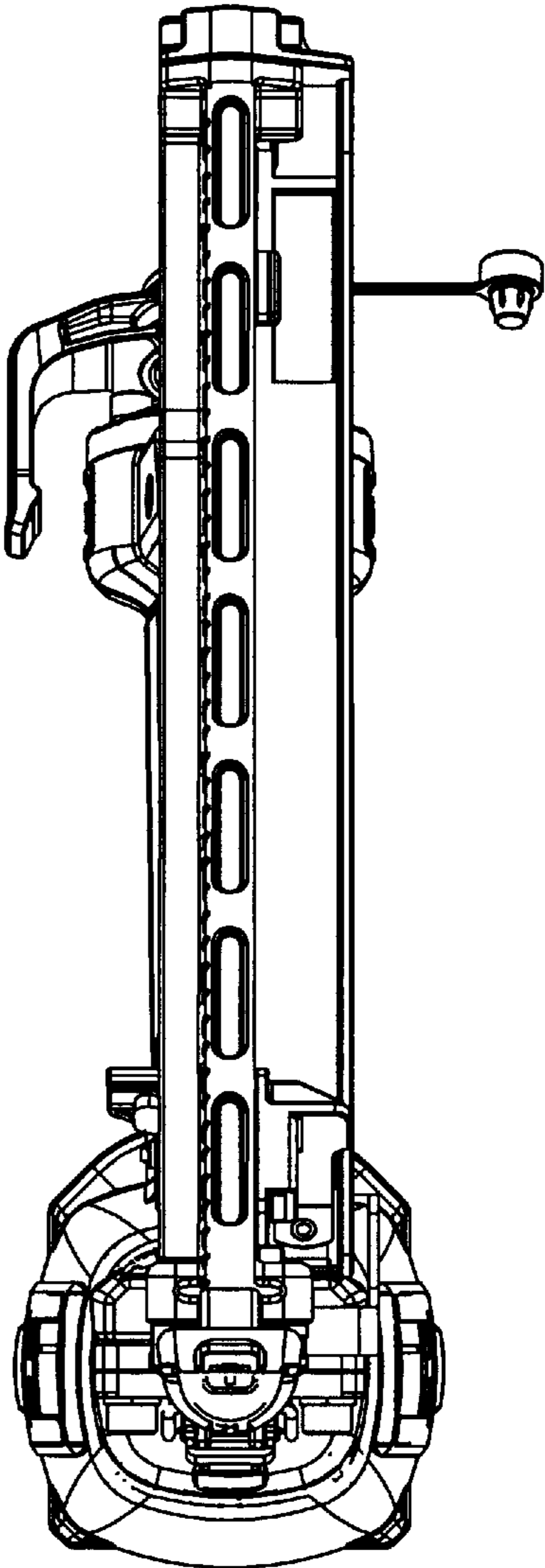


FIG. 7