



US00D514910S

(12) **United States Design Patent** (10) **Patent No.:** **US D514,910 S**
Nagasaka et al. (45) **Date of Patent:** **** Feb. 14, 2006**

(54) **PORTABLE ELECTRIC DRIVER**
 (75) Inventors: **Hidenori Nagasaka, Anjo (JP);**
Shinsuke Okuda, Anjo (JP)
 (73) Assignee: **Makita Corporation, Aichi-ken (JP)**
 (**) Term: **14 Years**

D424,902 S * 5/2000 Gildersleeve et al. D8/68
 D435,414 S * 12/2000 Etter et al. D8/68
 D436,511 S * 1/2001 Hayakawa et al. D8/68
 D437,761 S * 2/2001 Okumura et al. D8/68
 D446,704 S * 8/2001 Shibata et al. D8/68
 D462,594 S * 9/2002 Flickinger D8/68
 D465,982 S * 11/2002 Taga D8/68
 D477,205 S * 7/2003 Sakai et al. D8/68
 D489,955 S * 5/2004 Concari et al. D8/68

(21) Appl. No.: **29/198,001**

(22) Filed: **Jan. 26, 2004**

(30) **Foreign Application Priority Data**

Aug. 7, 2003 (JP) 2003-023014

(51) **LOC (8) Cl.** **08-05**

(52) **U.S. Cl.** **D8/68**

(58) **Field of Classification Search** D8/14.1,
 D8/61, 62, 63, 64, 65, 66, 67, 68, 69, 70;
 81/57.11, 429, 464, 465, 466, 469, 489; 173/13,
 173/169, 178, 213, 217; 227/8, 114, 120,
 227/130, 136, 142; 310/50; 408/20, 124,
 408/125, 234, 241 R; 451/358

See application file for complete search history.

(56) **References Cited**

U.S. PATENT DOCUMENTS

D320,917 S * 10/1991 Fushiya et al. D8/68
 D339,046 S * 9/1993 Fushiya et al. D8/68
 D340,396 S * 10/1993 Ichikawa D8/68
 D342,430 S * 12/1993 Saito et al. D8/68
 D392,863 S * 3/1998 Sugimoto et al. D8/68
 D411,947 S * 7/1999 Sugimoto et al. D8/61
 6,045,303 A * 4/2000 Chung 408/124

FOREIGN PATENT DOCUMENTS

JP 158194 9/2002

* cited by examiner

Primary Examiner—Joel Sincavage

Assistant Examiner—T. Chase Nelson

(74) *Attorney, Agent, or Firm*—Dennison, Schultz,
Dougherty & MacDonald

(57) **CLAIM**

The ornamental design for a portable electric driver, as shown and described.

DESCRIPTION

FIG. 1 is a perspective view of a portable electric driver showing our new design;

FIG. 2 is a front elevation view thereof;

FIG. 3 is a rear elevation view thereof;

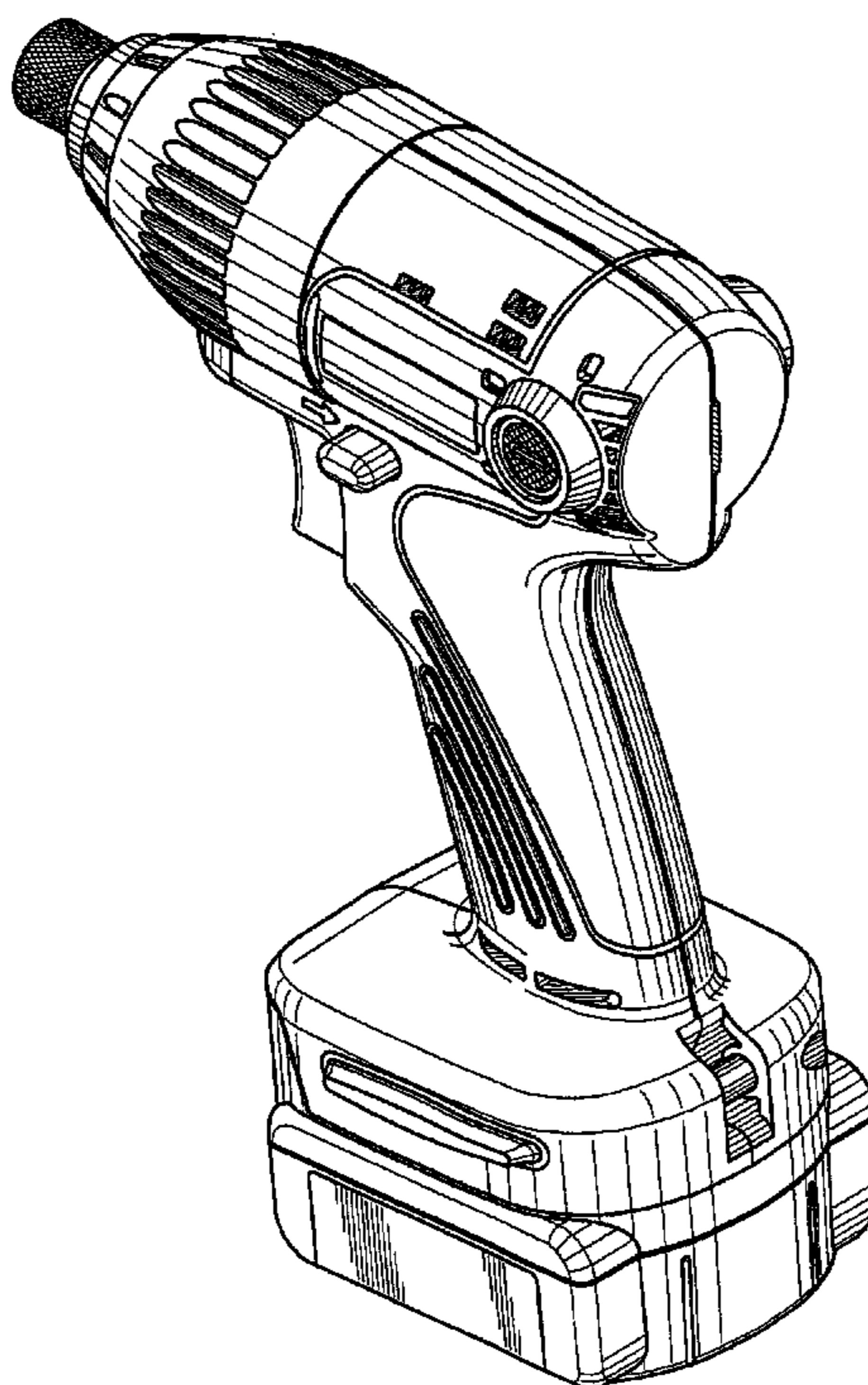
FIG. 4 is a left side elevation view thereof;

FIG. 5 is a right side elevation view thereof;

FIG. 6 is a top plan view thereof; and,

FIG. 7 is a bottom plan view thereof.

1 Claim, 5 Drawing Sheets



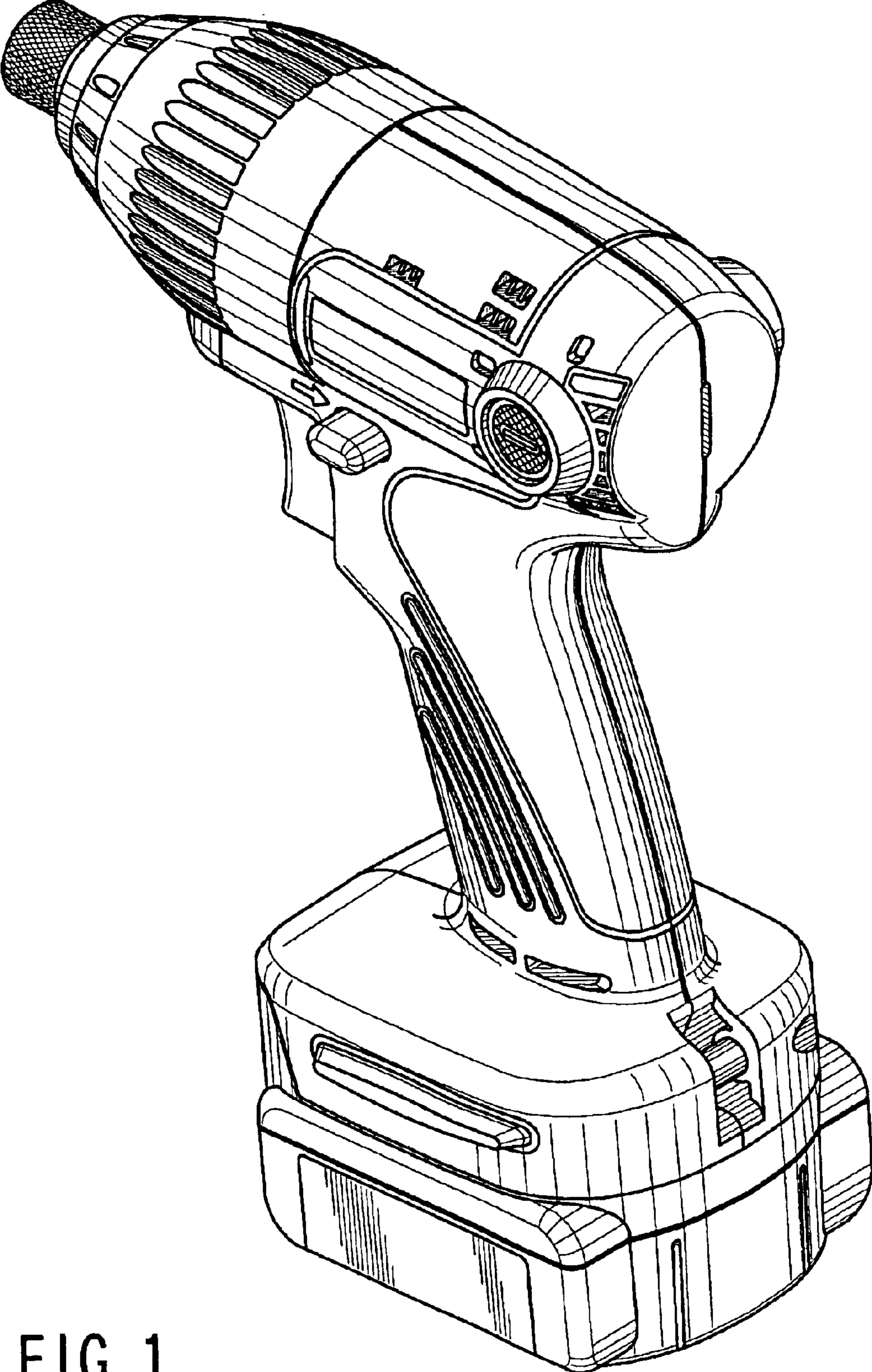


FIG. 1

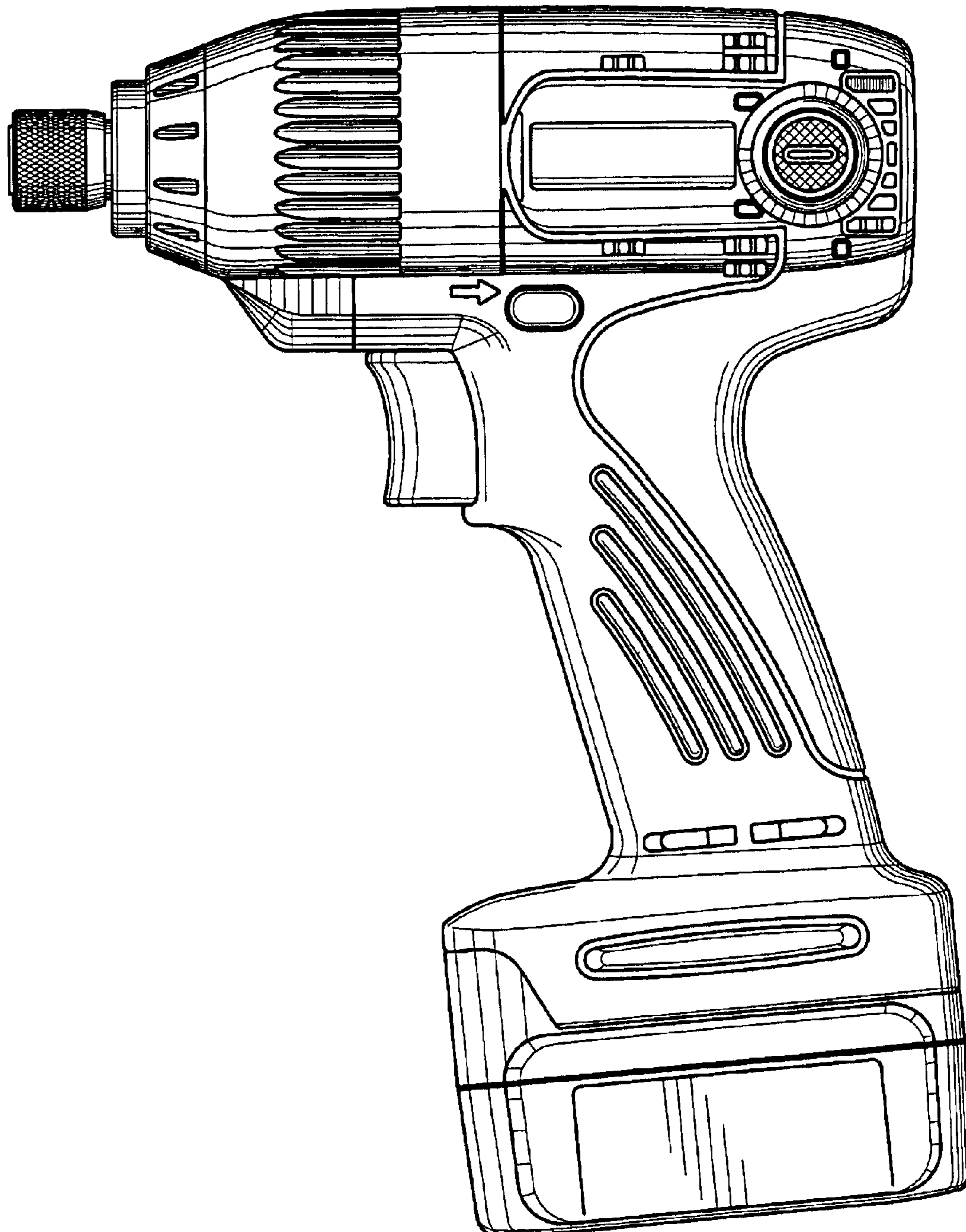


FIG. 2

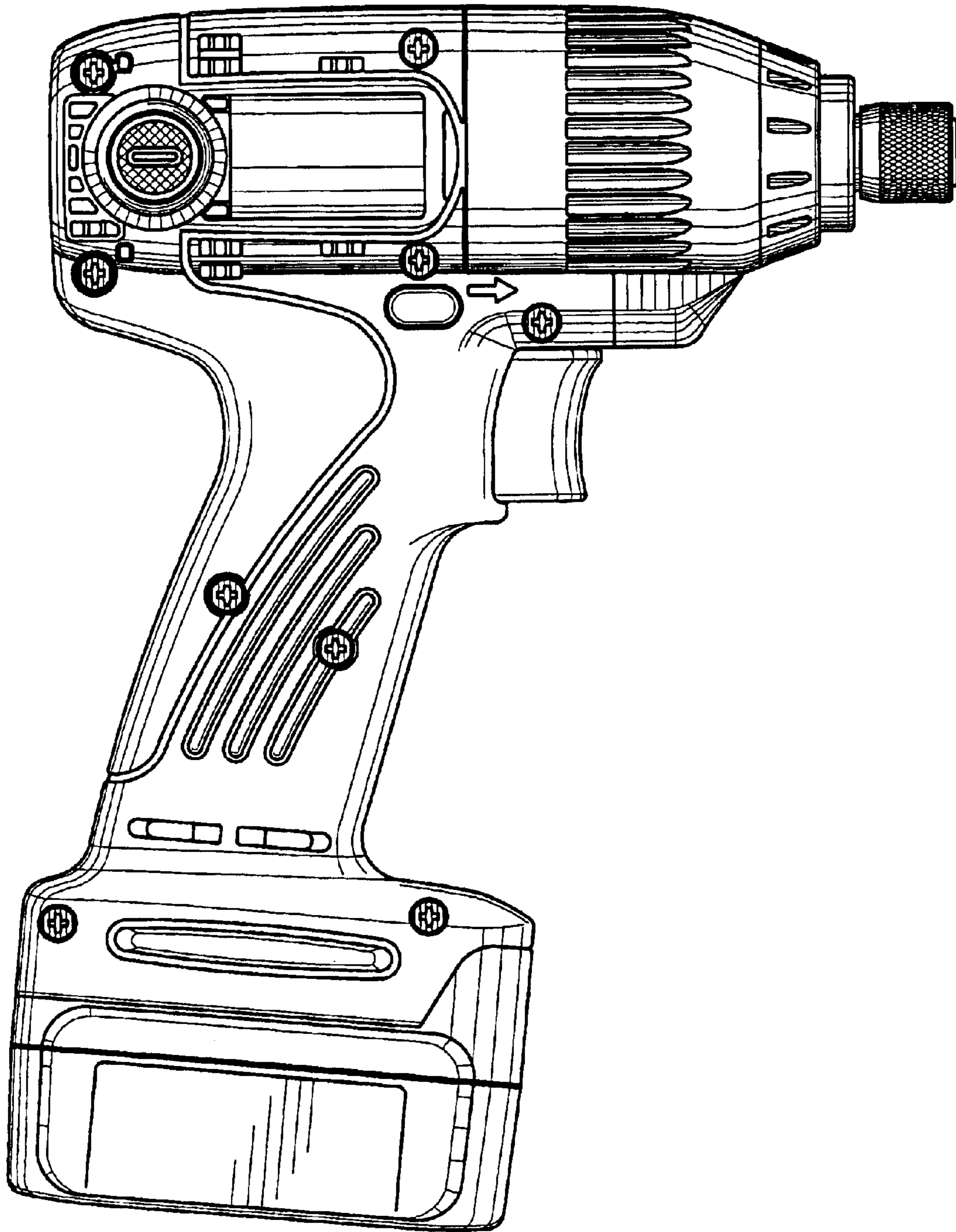


FIG. 3

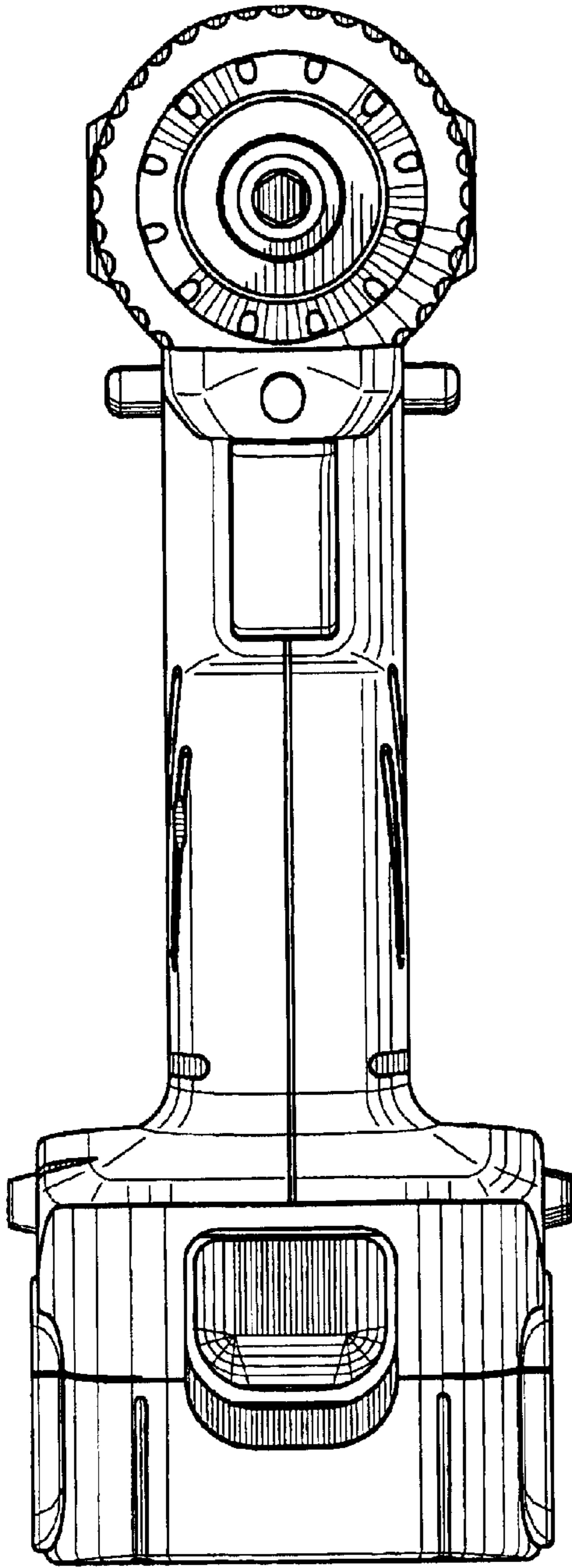


FIG. 4

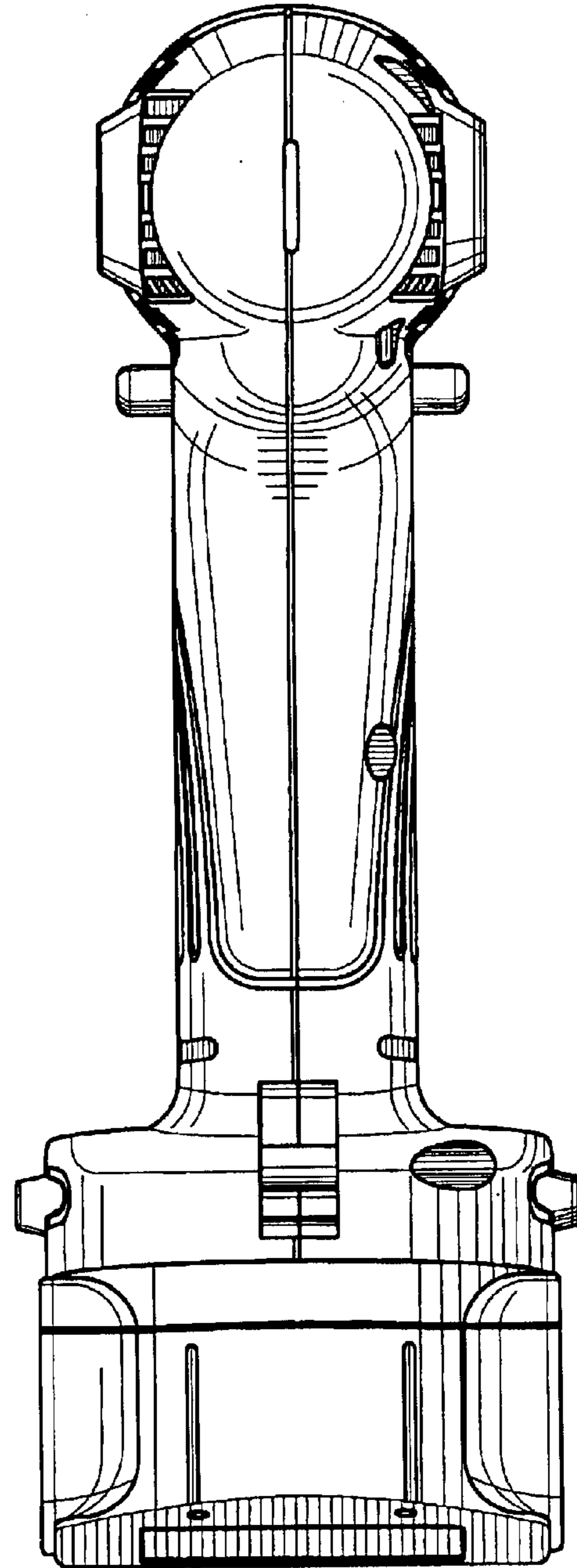


FIG. 5

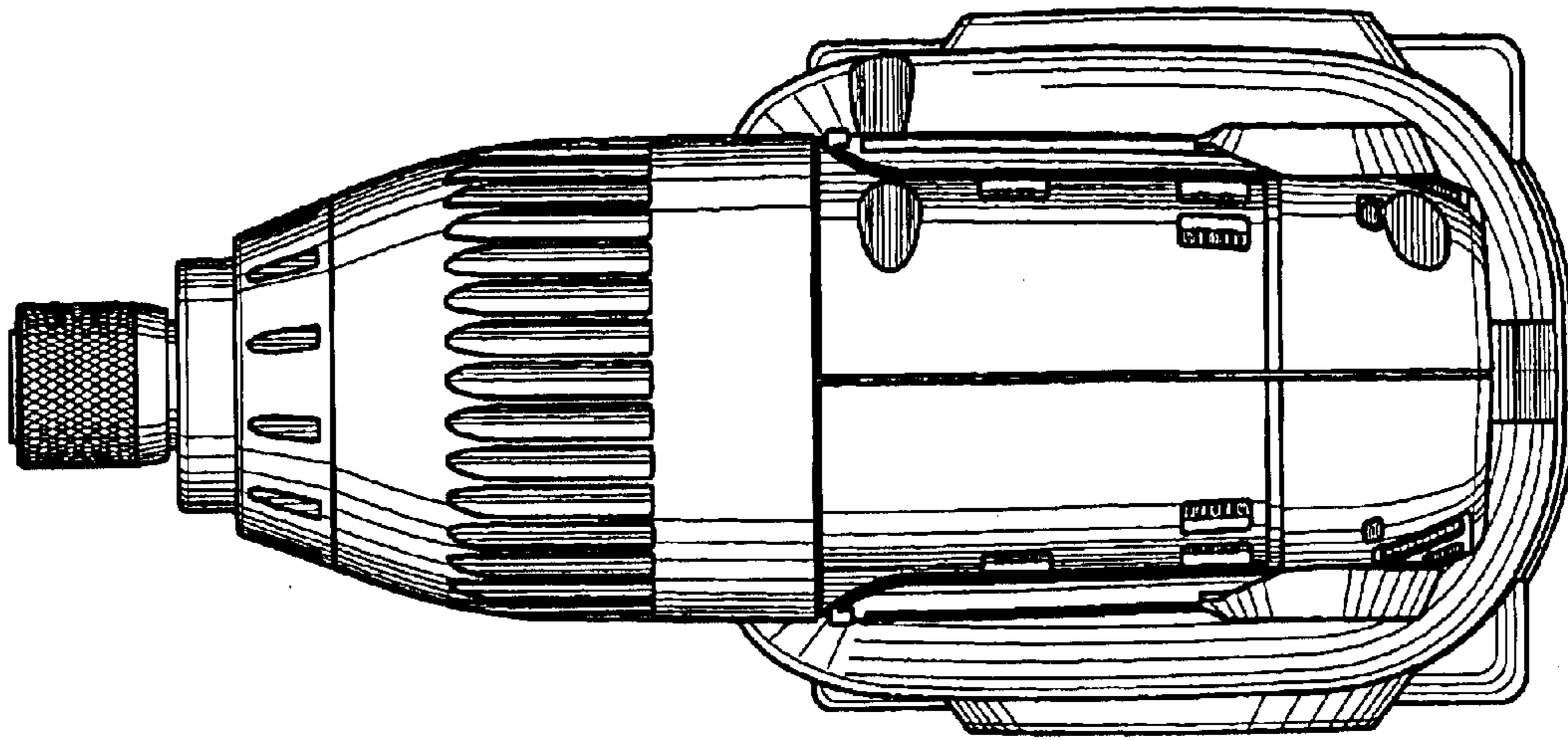


FIG. 6

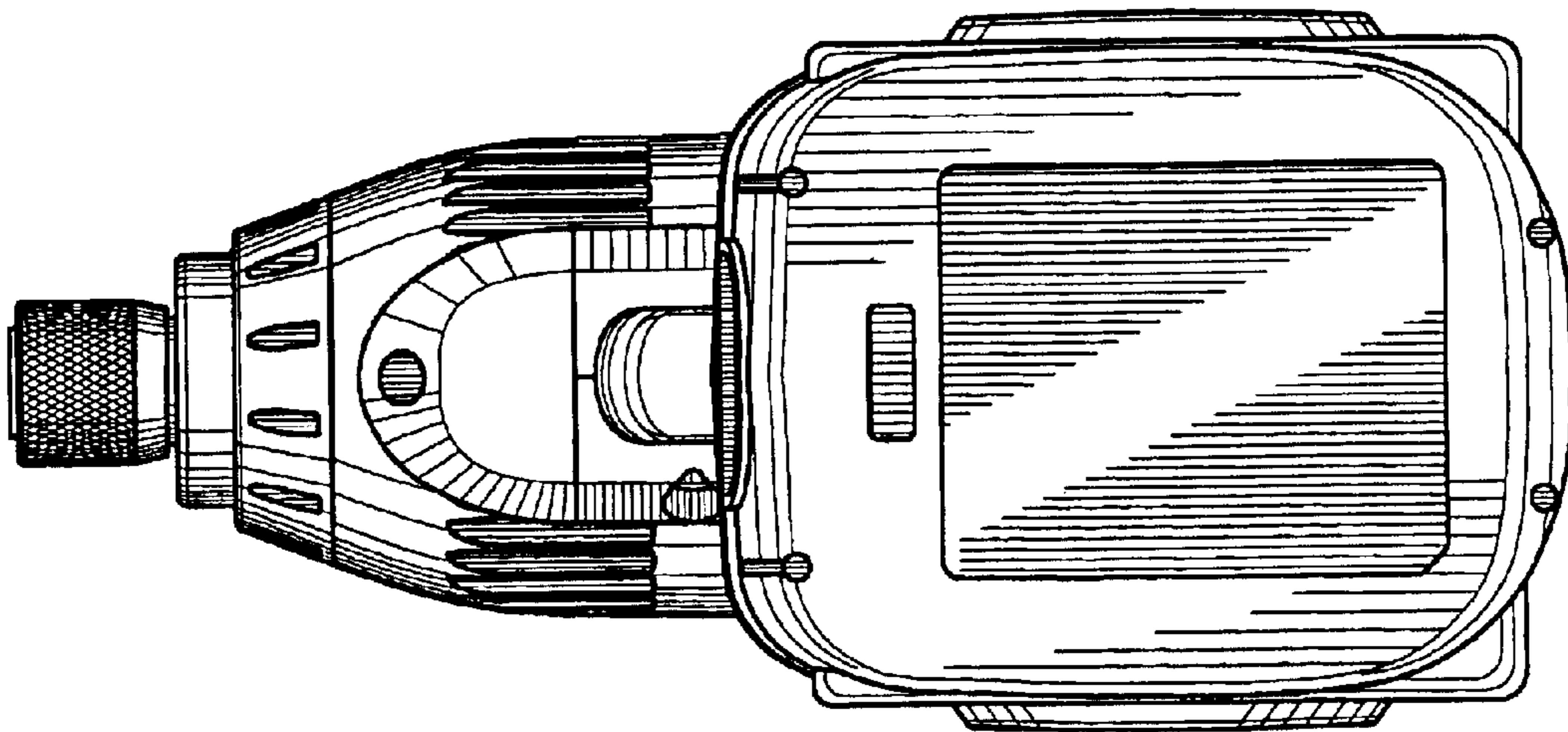


FIG. 7