



US00D514909S

(12) **United States Design Patent**
Bosch

(10) **Patent No.: US D514,909 S**

(45) **Date of Patent: ** Feb. 14, 2006**

(54) **CORDLESS DRILL**

(75) **Inventor: Darren Vincent Bosch, King (CA)**

(73) **Assignee: Canadian Tire Corporation Limited,
Toronto (CA)**

(**) **Term: 14 Years**

(21) **Appl. No.: 29/186,409**

(22) **Filed: Jul. 15, 2003**

(30) **Foreign Application Priority Data**

Feb. 7, 2003 (CA) 102011

(51) **LOC (8) Cl. 08-01**

(52) **U.S. Cl. D8/68**

(58) **Field of Classification Search** D8/14.1,
D8/61, 62, 63, 64, 65, 66, 67, 68, 69, 70;
81/57.11, 429, 464, 465, 466, 469, 489; 173/13,
173/169, 178, 213, 217; 227/8, 114, 120,
227/130, 136, 142; 310/50; 408/20, 124,
408/125, 234, 241 R; 451/358

See application file for complete search history.

(56) **References Cited**

U.S. PATENT DOCUMENTS

D396,177 S * 7/1998 Schultz D8/68
D402,871 S * 12/1998 Clowers et al. D8/68
D419,413 S * 1/2000 Heun D8/68
D420,877 S * 2/2000 Schultz D8/68
D421,883 S * 3/2000 Watson et al. D8/68
D426,126 S * 6/2000 Schultz D8/68
6,364,580 B1 * 4/2002 Dils et al. 408/241 R
D460,674 S * 7/2002 Heun D8/68
D462,248 S * 9/2002 Cooper D8/68
D462,592 S * 9/2002 Cooper D8/68

D466,777 S * 12/2002 Watson D8/68
D467,483 S * 12/2002 Heun D8/68
D496,843 S * 10/2004 Sugawara et al. D8/68

FOREIGN PATENT DOCUMENTS

CA 79755 1/1995
CA 77475 11/1995
CA 77478 11/1995
CA 77480 11/1995
CA 89119 3/2000

* cited by examiner

Primary Examiner—Gary D. Watson

Assistant Examiner—T. Chase Nelson

(74) *Attorney, Agent, or Firm*—Jones Day

(57) **CLAIM**

The ornamental design for a cordless drill, as shown and described.

DESCRIPTION

FIG. 1 is a front, left side perspective view of the cordless drill of the present invention;

FIG. 2 is a rear, bottom perspective view thereof, the numbered dial in this view being depicted in an alternate rotated position;

FIG. 3 is a right side elevational view thereof;

FIG. 4 is a front elevational view thereof, in which the broken line showing of environmental structure is for illustrative purposes only and forms no part of the claimed design;

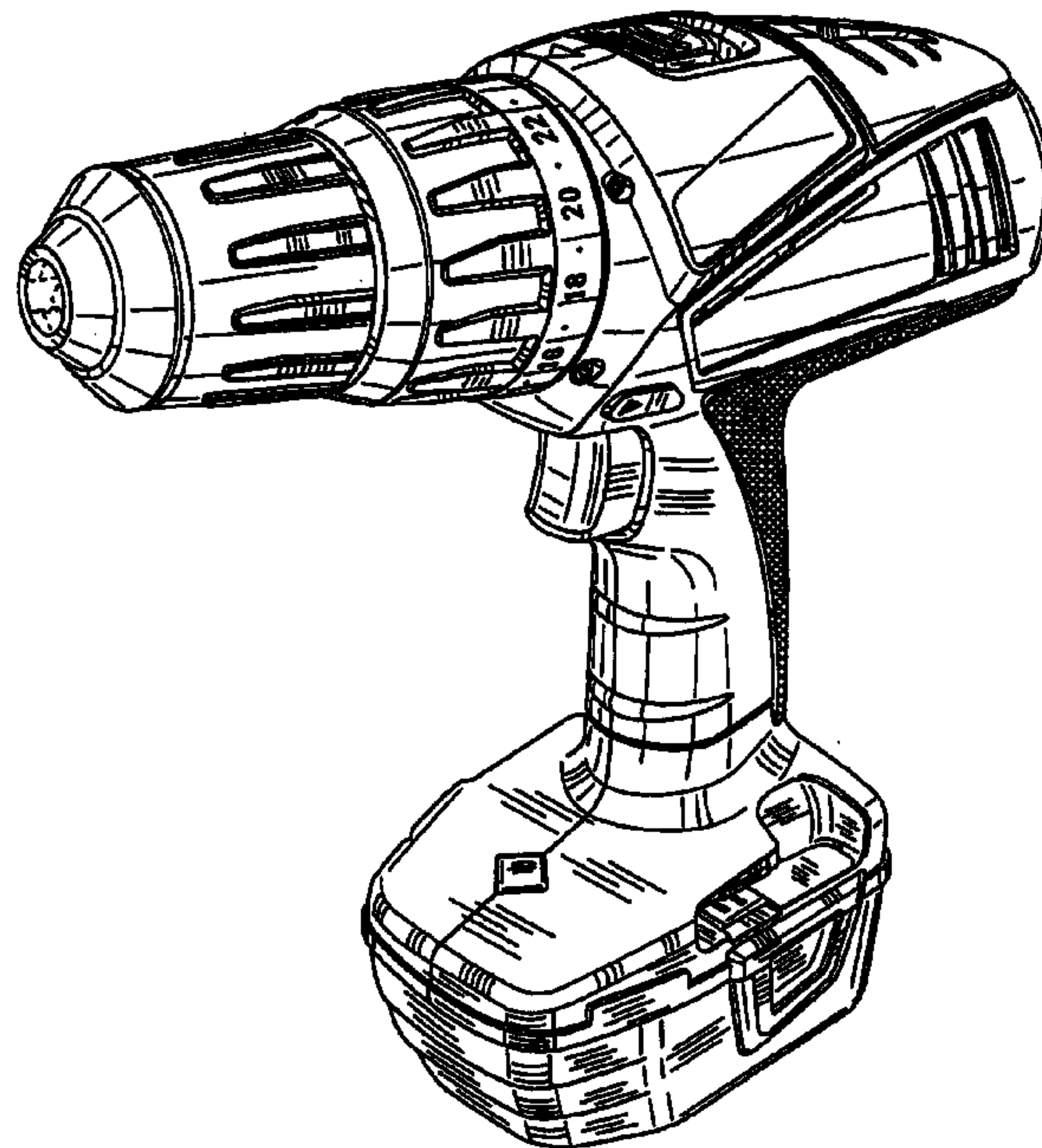
FIG. 5 is a left side elevational view thereof;

FIG. 6 is a rear elevational view thereof;

FIG. 7 is a top plan view thereof; and,

FIG. 8 is a bottom plan view thereof.

1 Claim, 6 Drawing Sheets



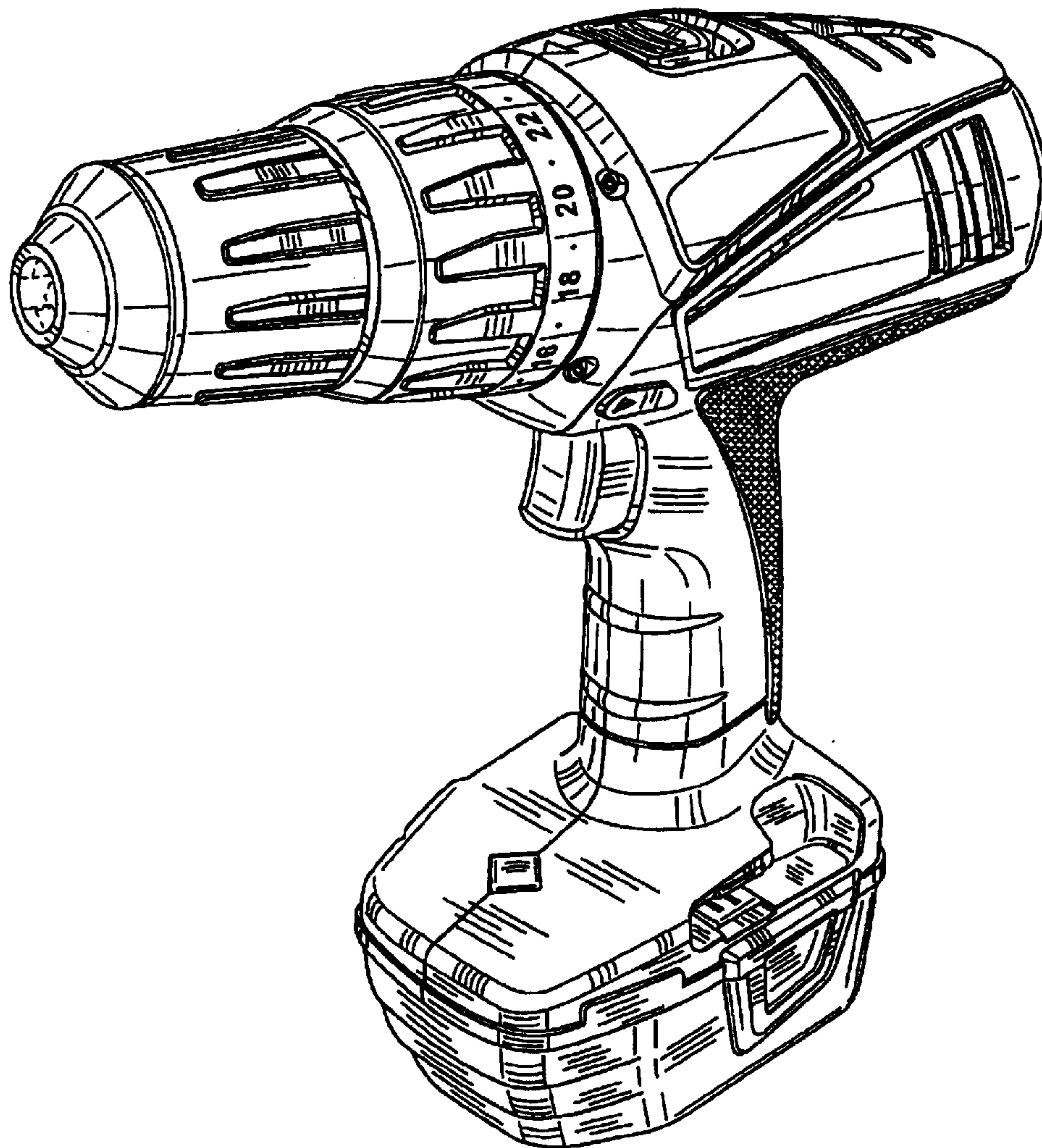


FIG. 1

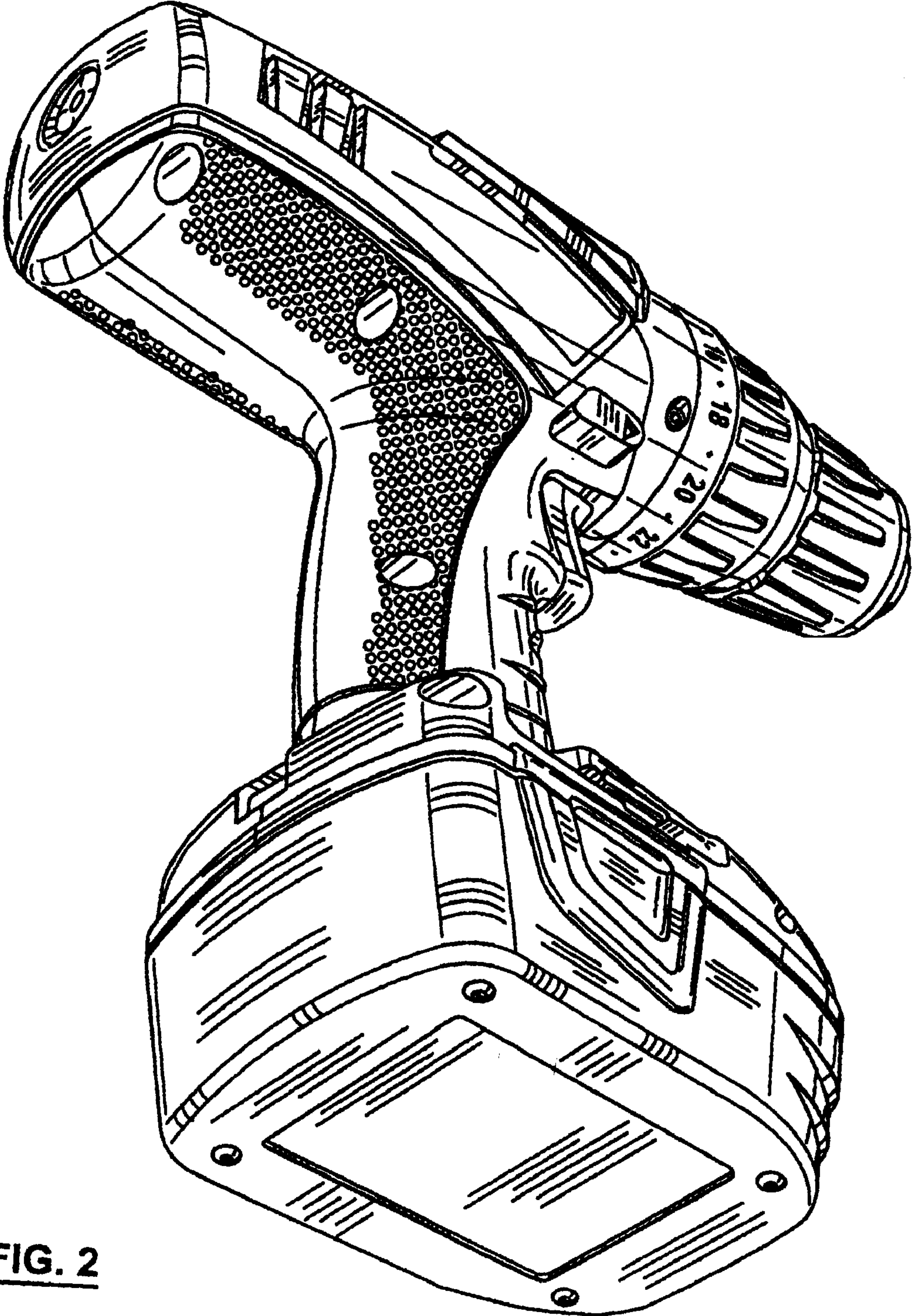


FIG. 2

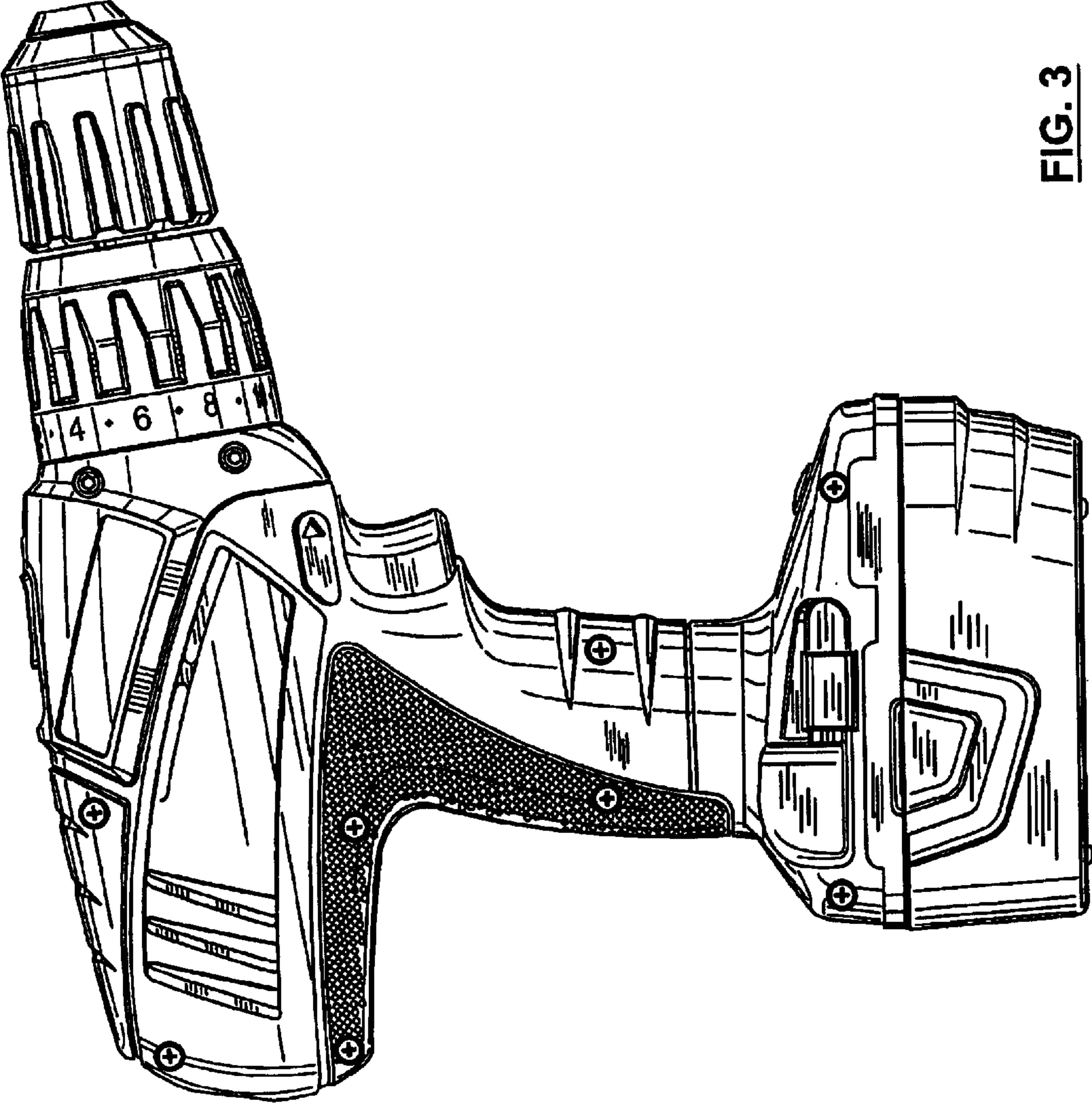


FIG. 3

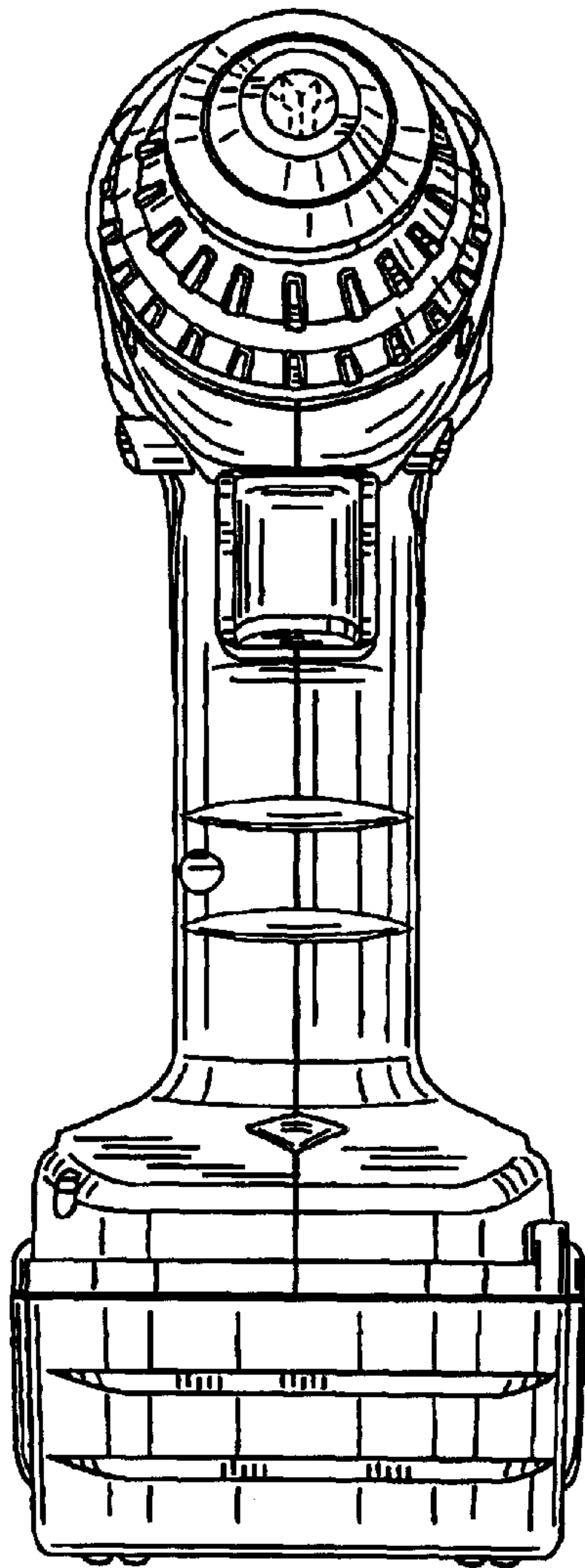


FIG. 4

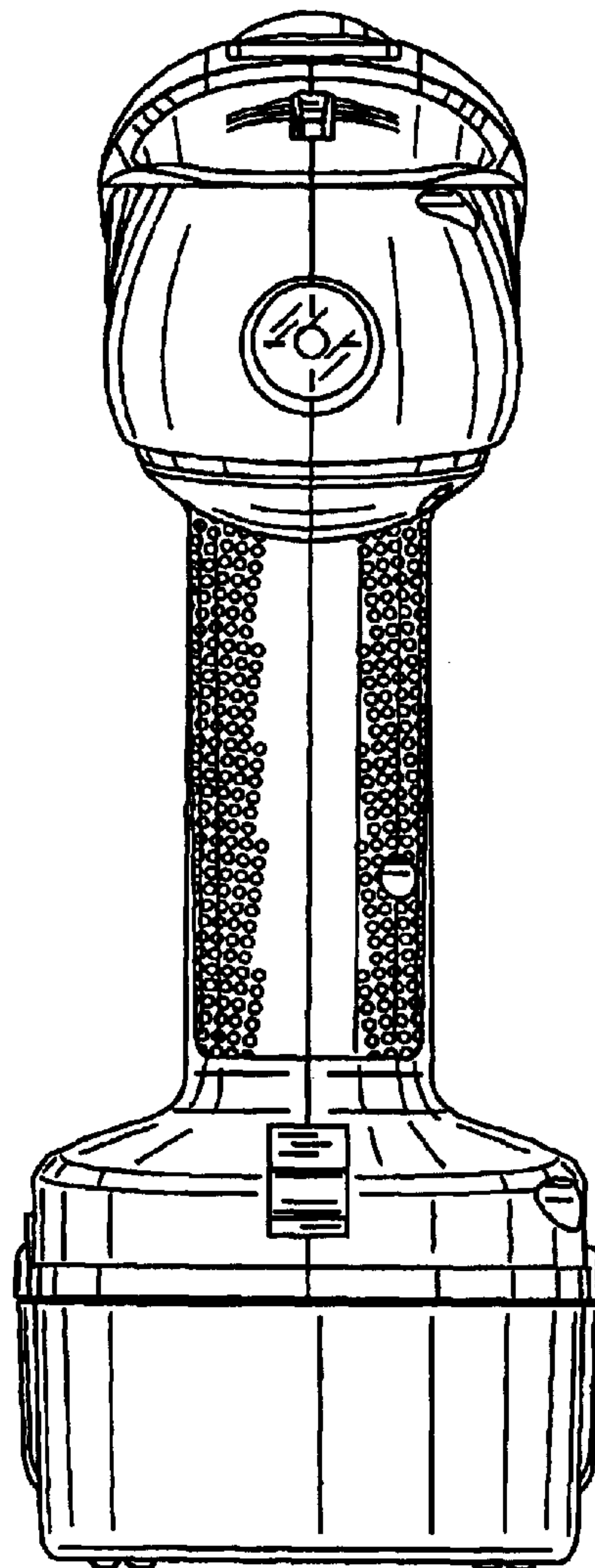


FIG. 6

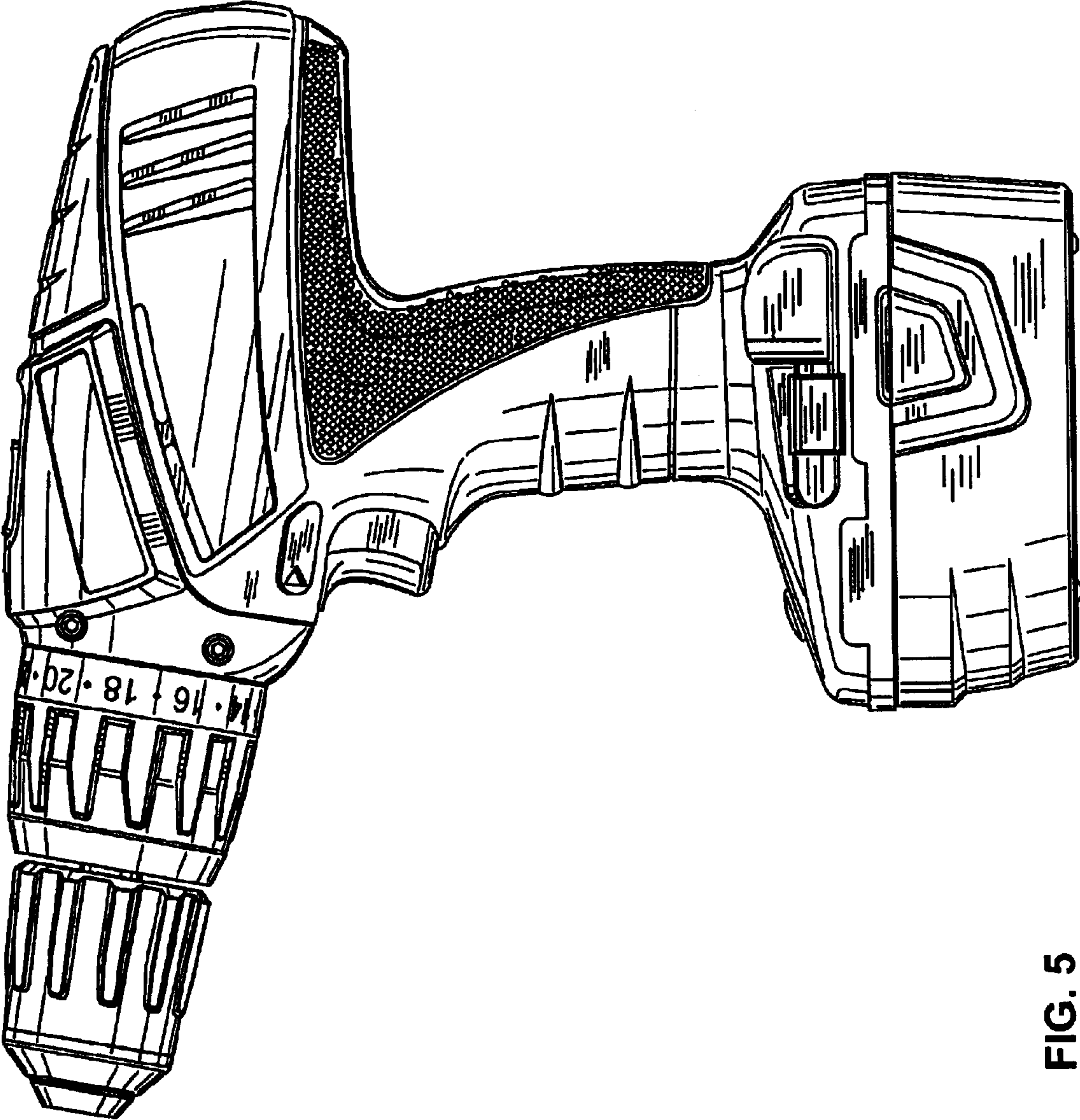


FIG. 5

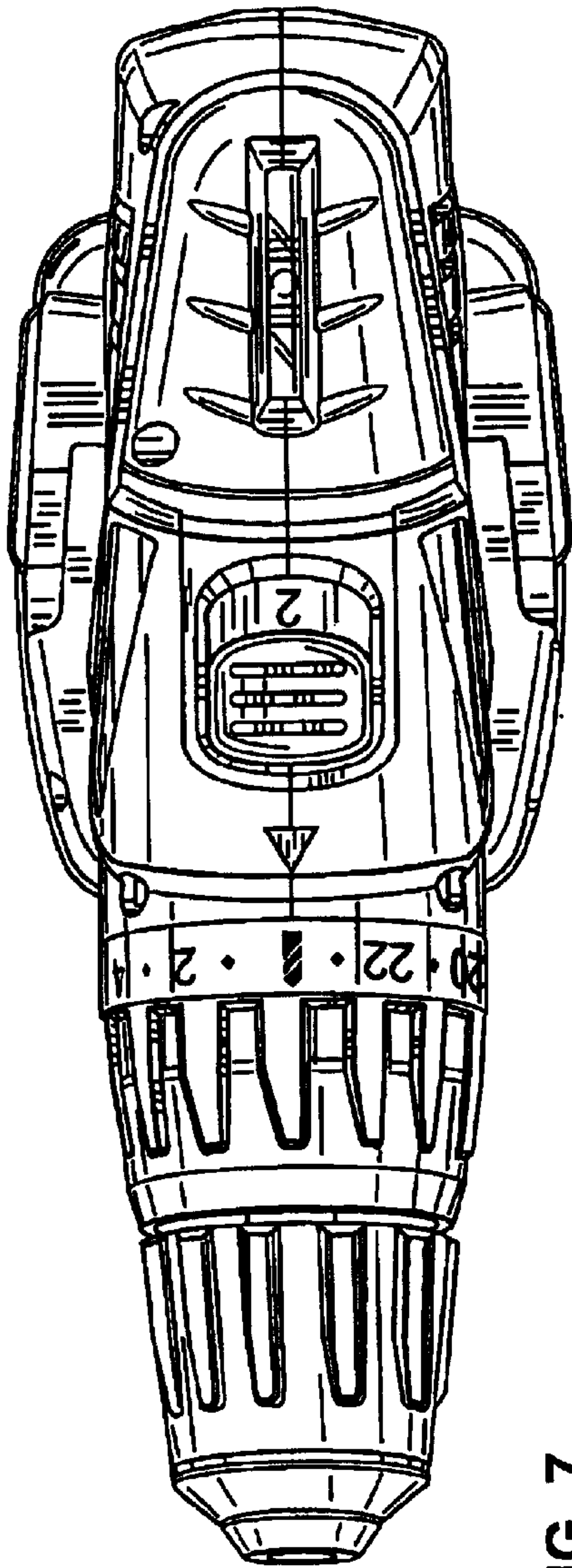


FIG. 7

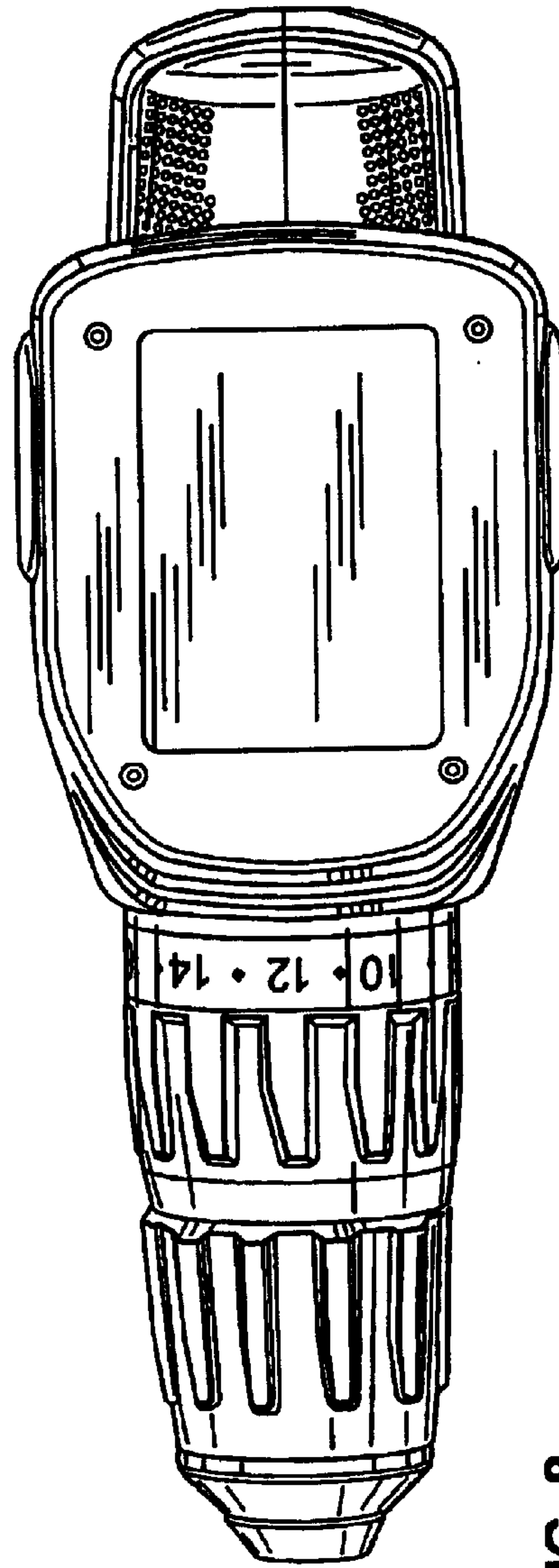


FIG. 8