

US00D514901S

(12) **United States Design Patent**  
**Wang**

(10) **Patent No.:** **US D514,901 S**

(45) **Date of Patent:** **\*\* Feb. 14, 2006**

(54) **WINE FUNNEL**

4,492,258 A \* 1/1985 Lichtenstein et al. .... 141/331  
4,951,721 A \* 8/1990 Moore et al. .... 141/98

(75) **Inventor:** **Cherry Wang**, Taipei (TW)

\* cited by examiner

(73) **Assignee:** **Well Join Industry Co. Ltd.**, Taipei (TW)

*Primary Examiner*—Terry A. Wallace  
(74) *Attorney, Agent, or Firm*—Jonathan Alan Quine; Quine Intellectual Property Law Group, P.C.

(\*\*) **Term:** **14 Years**

(57) **CLAIM**

(21) **Appl. No.:** **29/208,532**

The ornamental design for wine funnel, as shown and described.

(22) **Filed:** **Jun. 29, 2004**

(51) **LOC (8) Cl.** ..... **07-99**

(52) **U.S. Cl.** ..... **D7/700**

(58) **Field of Classification Search** ..... D7/700;  
D15/150; D23/200; 141/95, 98, 297-300,  
141/331-345

See application file for complete search history.

**DESCRIPTION**

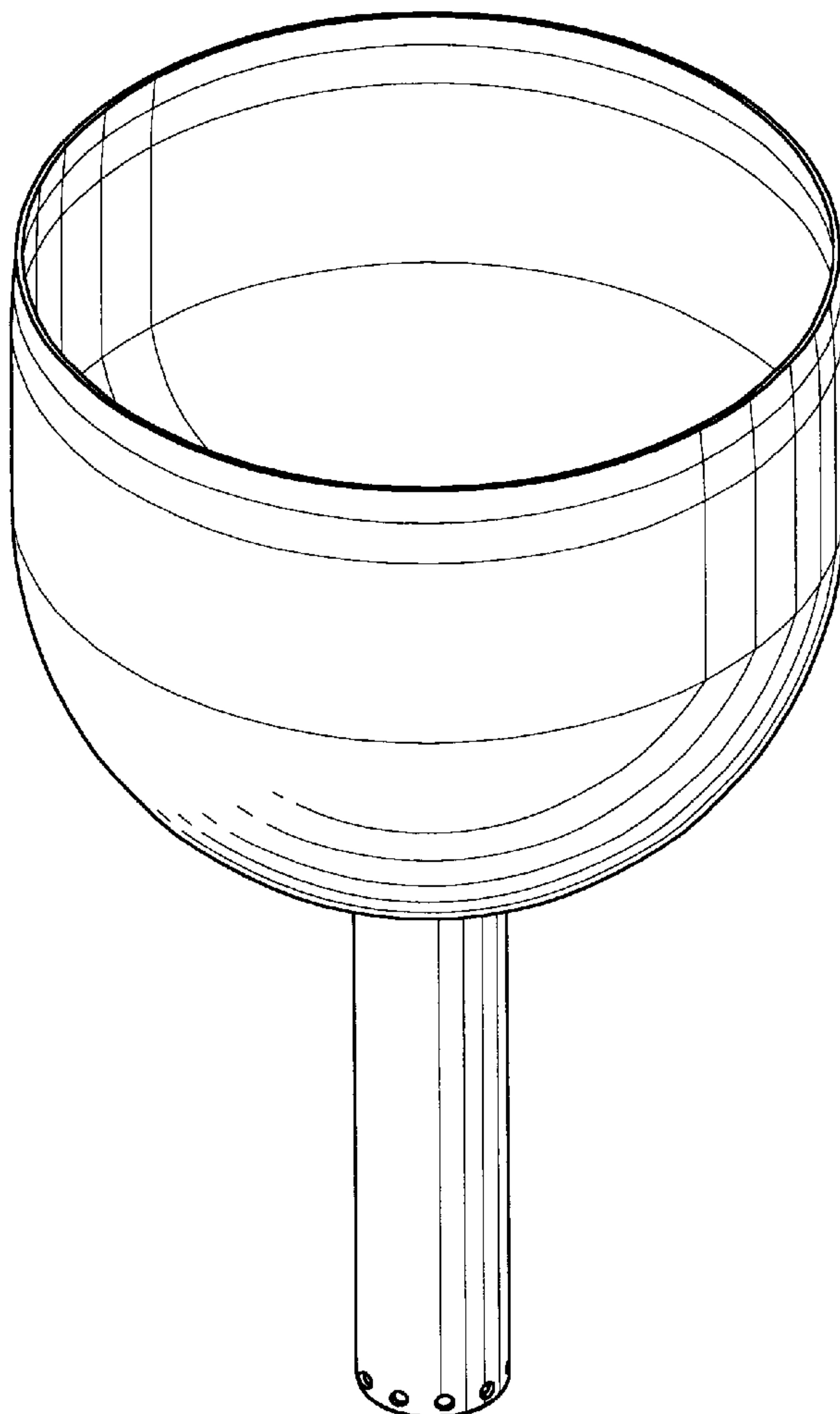
FIG. 1 is a perspective view of wine funnel showing my new design;  
FIG. 2 is a front elevational view thereof;  
FIG. 3 is a rear elevational view thereof;  
FIG. 4 is a left side elevational view thereof;  
FIG. 5 is a right side elevational view thereof;  
FIG. 6 is a top plan view thereof; and,  
FIG. 7 is a bottom plan view thereof.

(56) **References Cited**

**U.S. PATENT DOCUMENTS**

886,237 A \* 4/1908 Murtha ..... 141/335  
D153,202 S \* 3/1949 Beller ..... D7/700

**1 Claim, 3 Drawing Sheets**



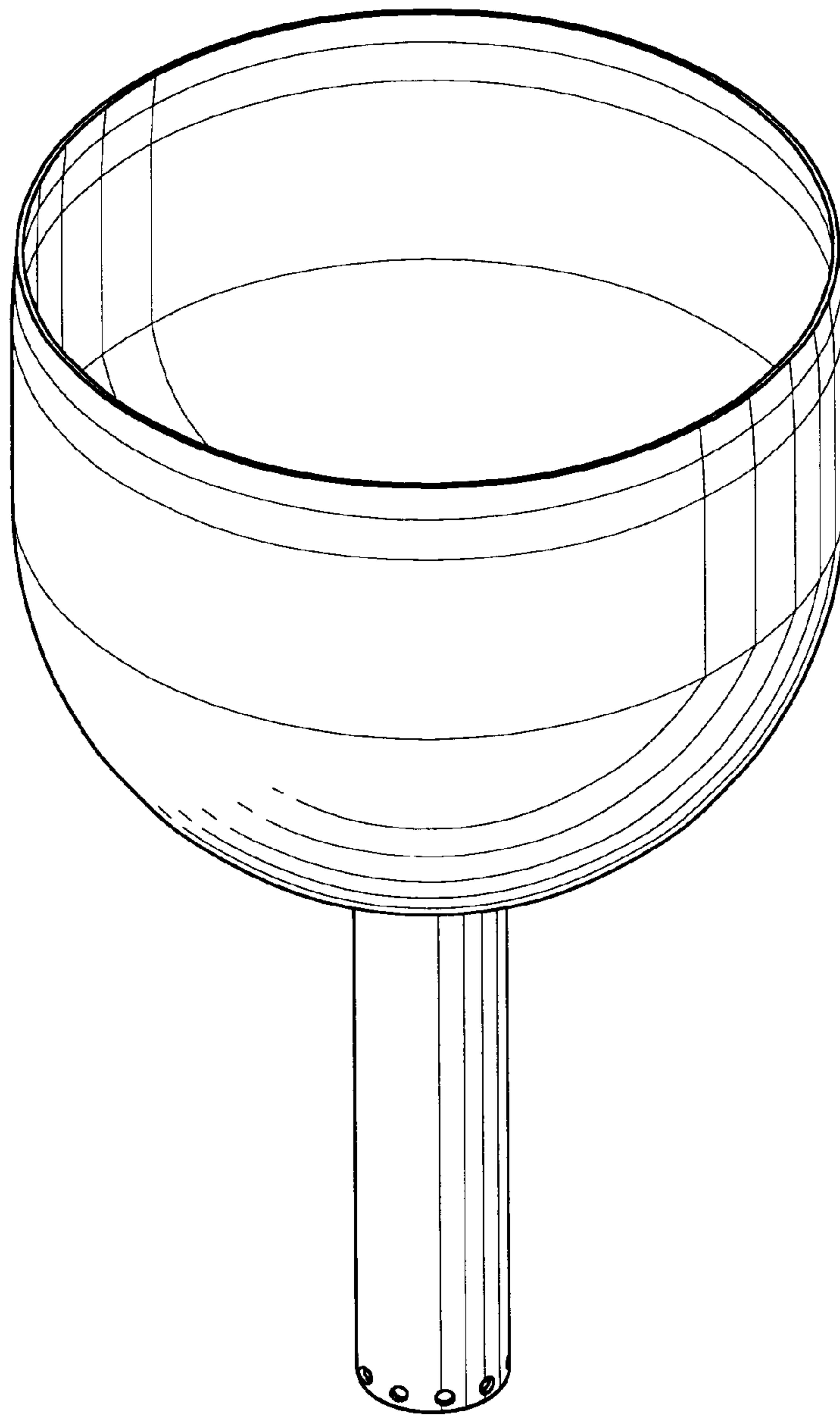


FIG. 1

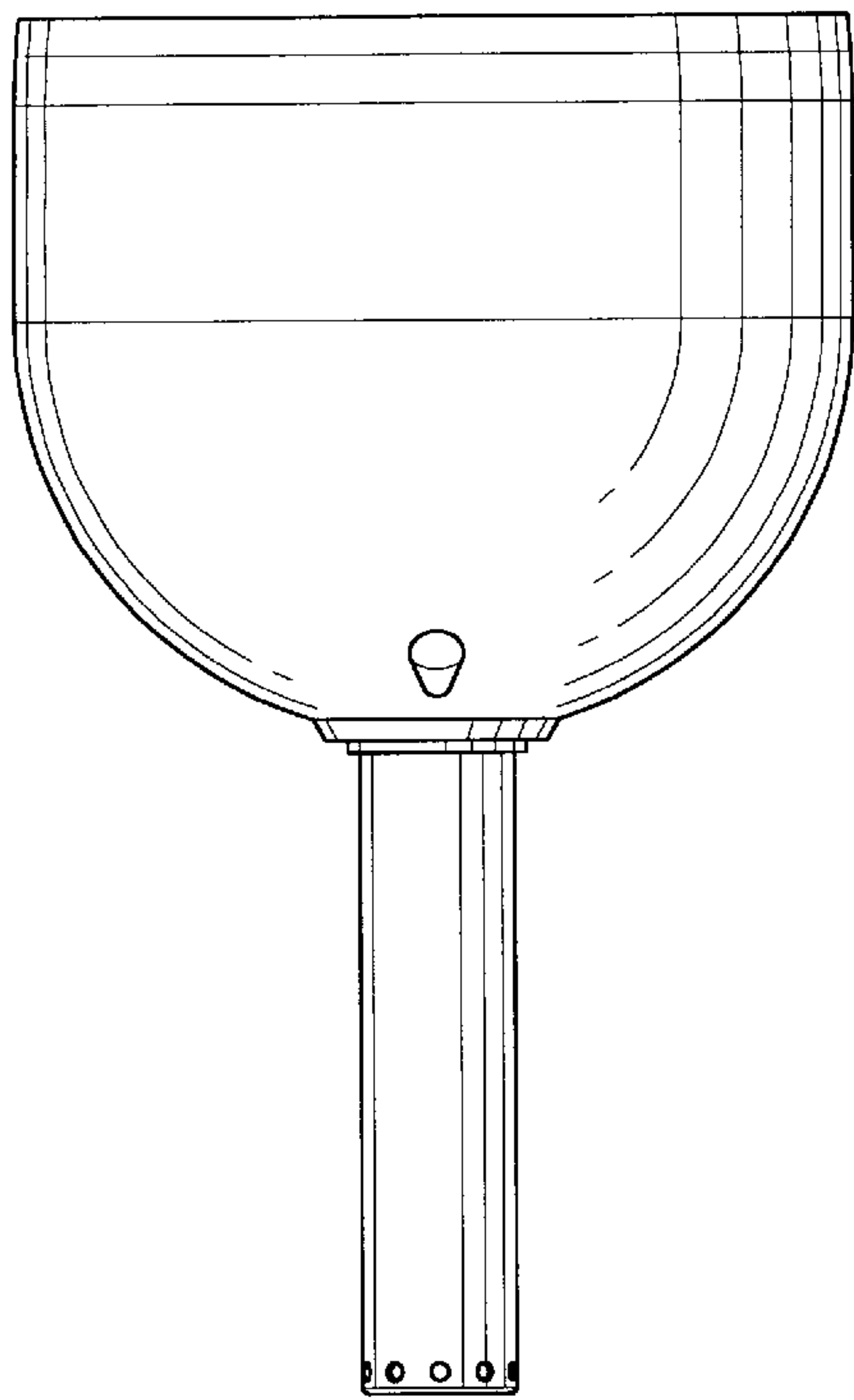


FIG. 2

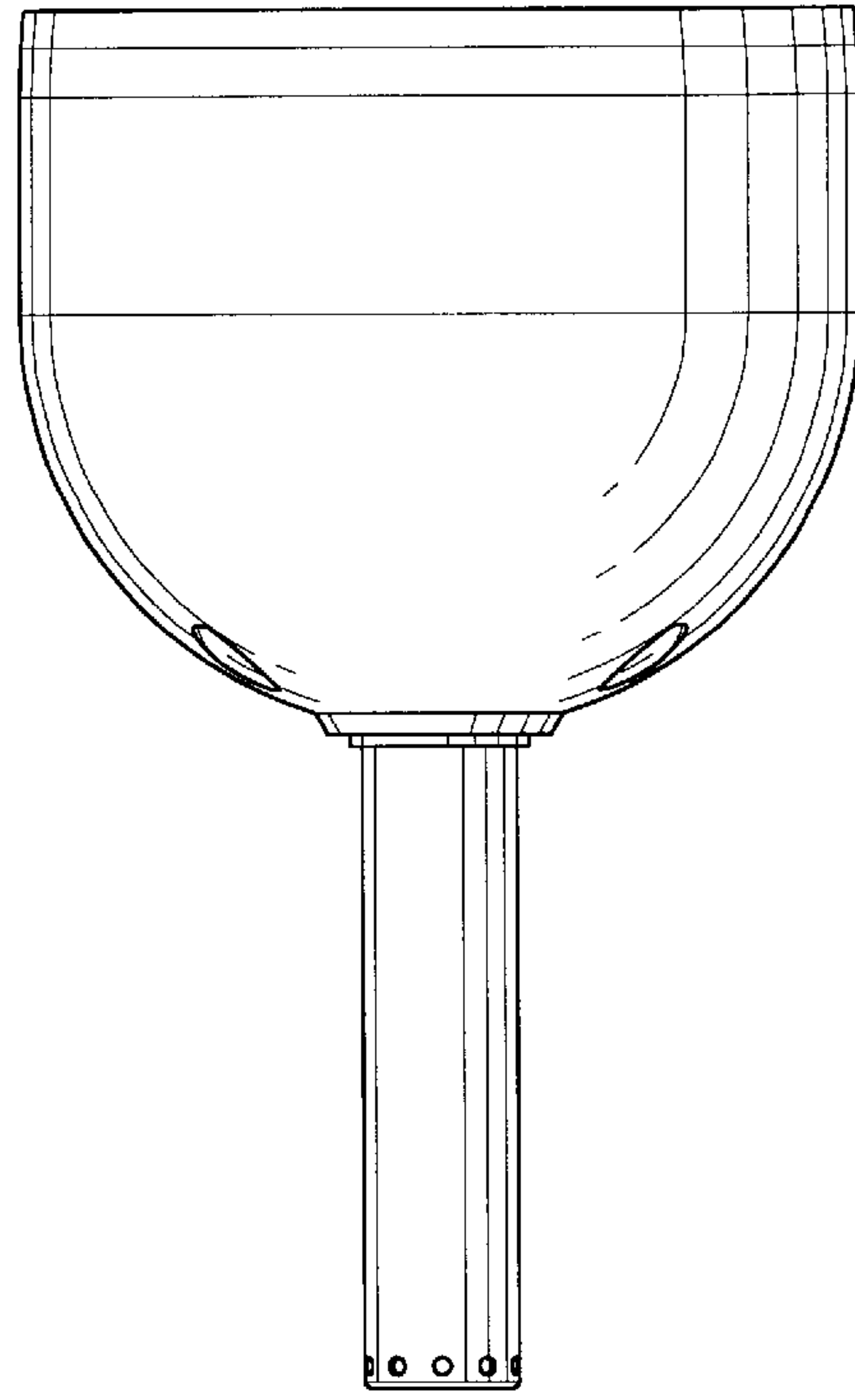


FIG. 3

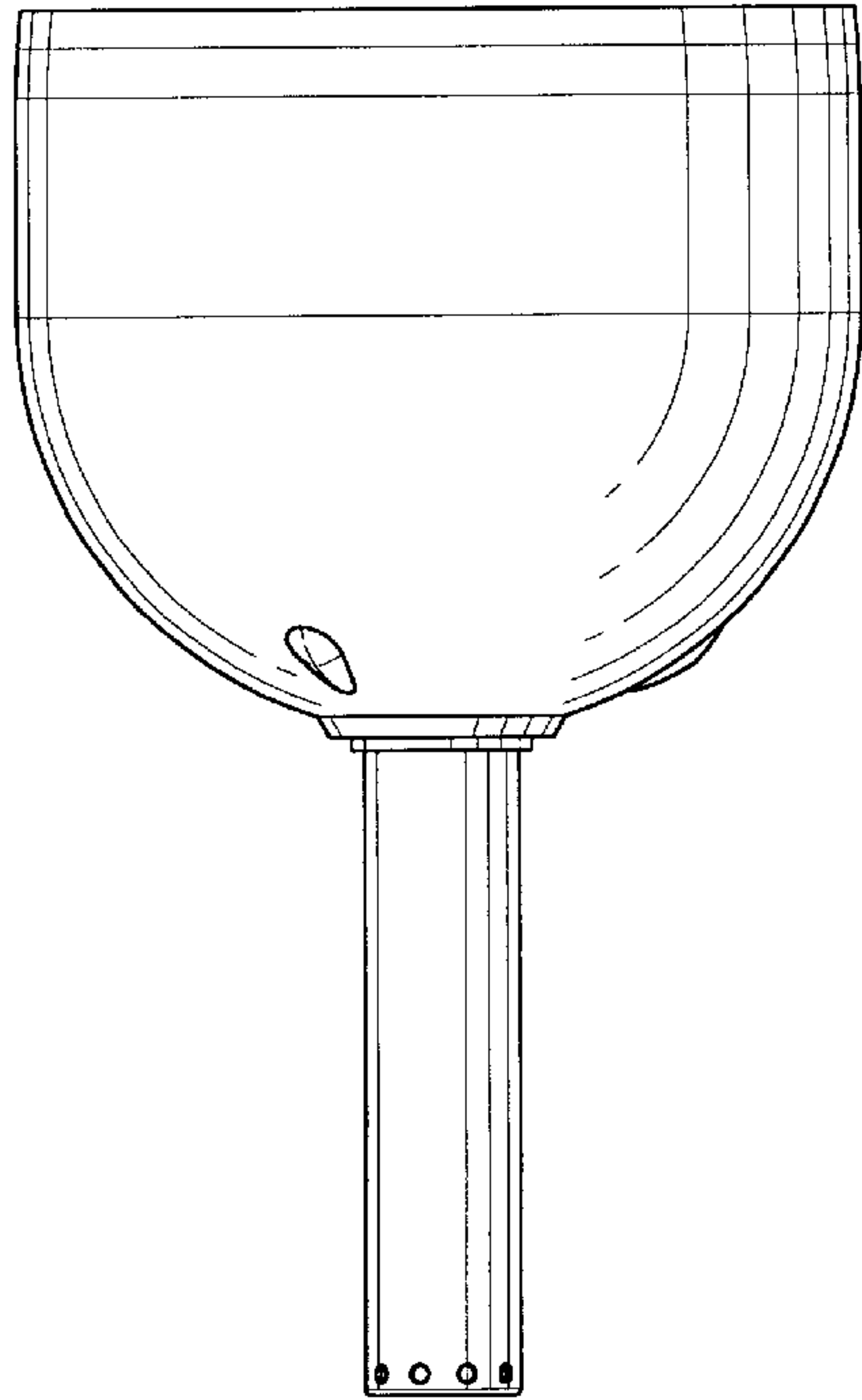


FIG. 4

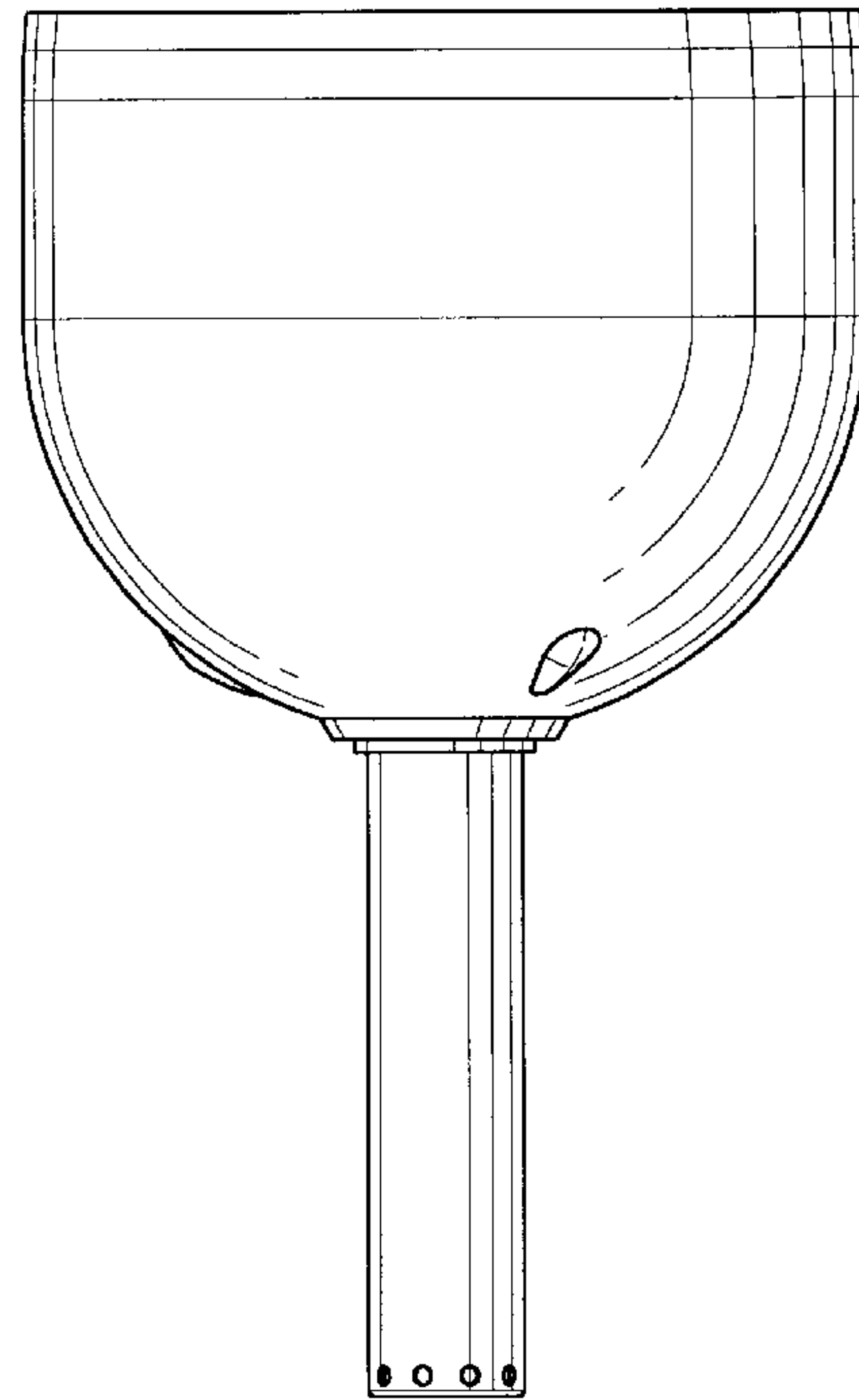


FIG. 5

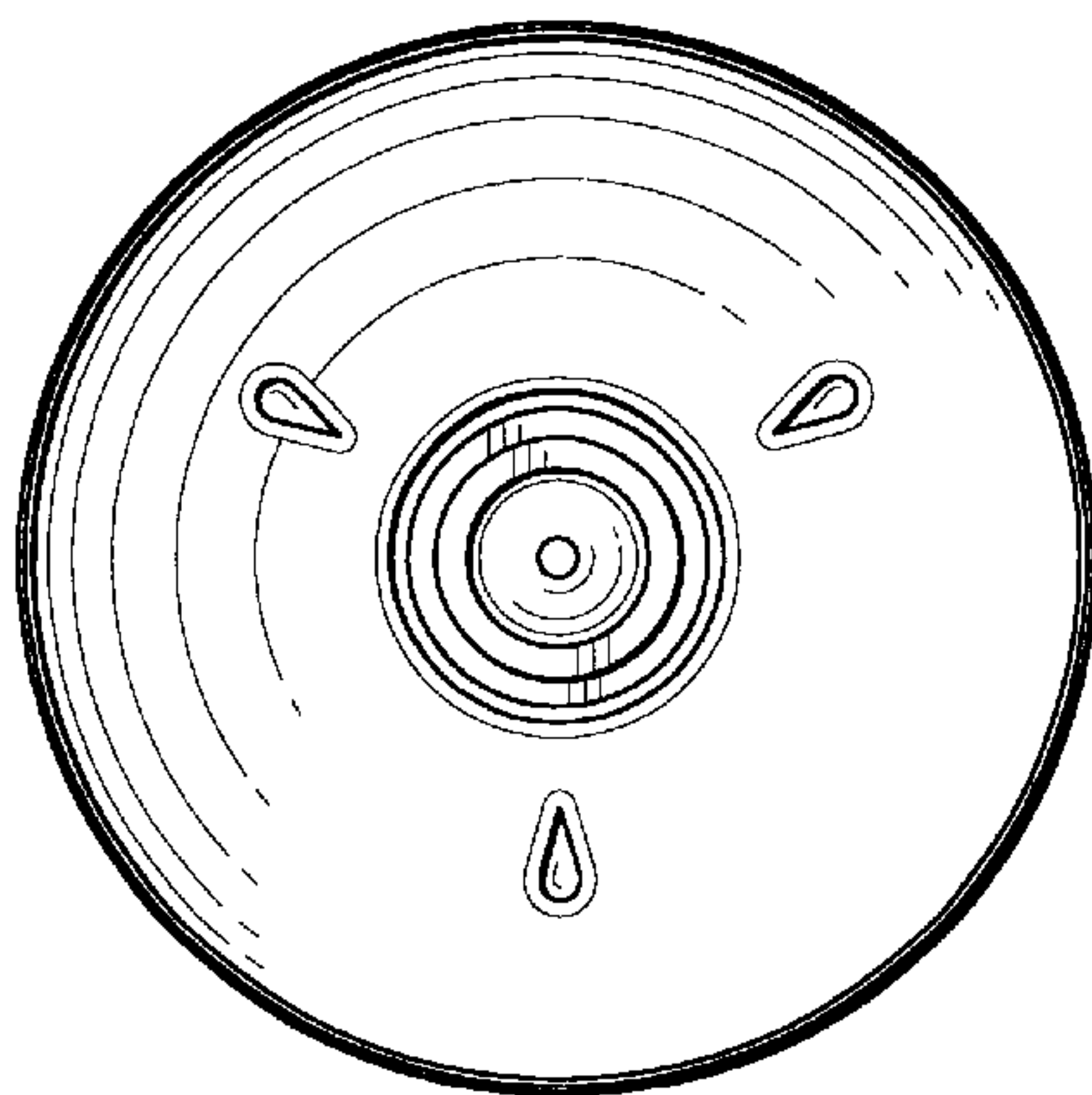


FIG. 6

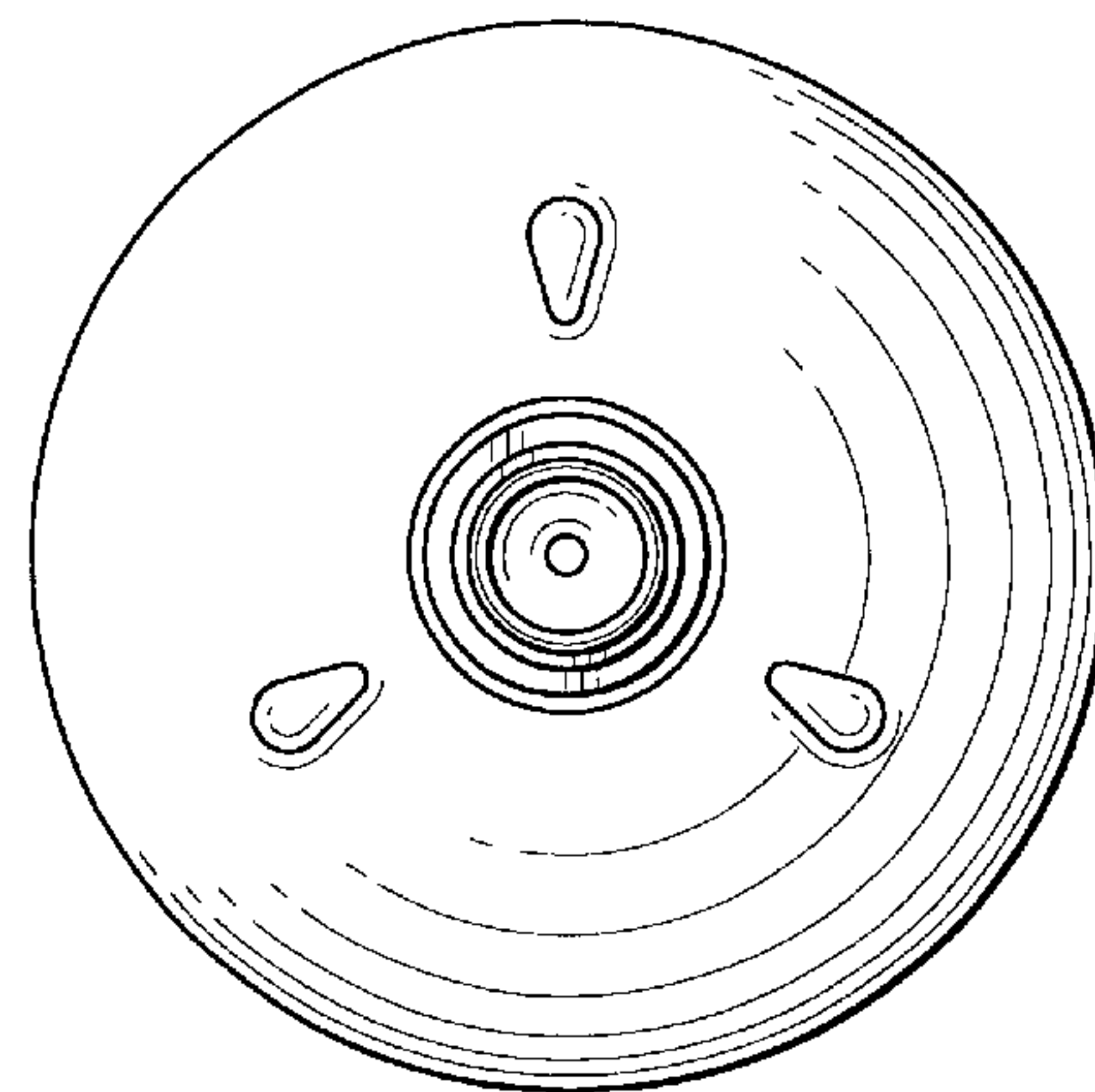


FIG. 7