



US00D514896S

(12) **United States Design Patent**
Wickenhauser

(10) **Patent No.: US D514,896 S**
(45) **Date of Patent: ** Feb. 14, 2006**

(54) **BEVERAGE CONTAINER AND ARTICLE HOLDER**

(76) Inventor: **Keith Wickenhauser**, 11170 Guernsey Ave., Chaska, MN (US) 55318

(**) Term: **14 Years**

(21) Appl. No.: **29/214,674**

(22) Filed: **Oct. 7, 2004**

Related U.S. Application Data

(62) Division of application No. 29/192,087, filed on Oct. 20, 2003, now Pat. No. Des. 498,418.

(51) **LOC (8) Cl.** **07-06**

(52) **U.S. Cl.** **D7/619.1; D9/747**

(58) **Field of Classification Search** D7/605, D7/607, 619.1; 211/71, 74; 215/386, 392-394; 220/411-412, 737

See application file for complete search history.

(56) **References Cited**

U.S. PATENT DOCUMENTS

- D200,290 S * 2/1965 Turner D6/531
- D288,411 S * 2/1987 Castellonet D9/455
- 4,721,216 A * 1/1988 Kinder 215/393

- D307,355 S * 4/1990 Page, Jr. D12/419
- 5,174,534 A * 12/1992 Mitchell 248/311.2
- D336,218 S * 6/1993 Hague D7/701
- D353,840 S * 12/1994 Dietterich et al. D19/85
- D371,538 S * 7/1996 Ferrigan D12/419
- D396,780 S * 8/1998 Villarreal et al. D7/619.1
- D455,051 S * 4/2002 Gjersvik D7/603
- D488,036 S * 4/2004 Dimeo D7/708
- 2004/0232155 A1 * 11/2004 Burts 220/737

* cited by examiner

Primary Examiner—Stella Reid

Assistant Examiner—Daniel Bui

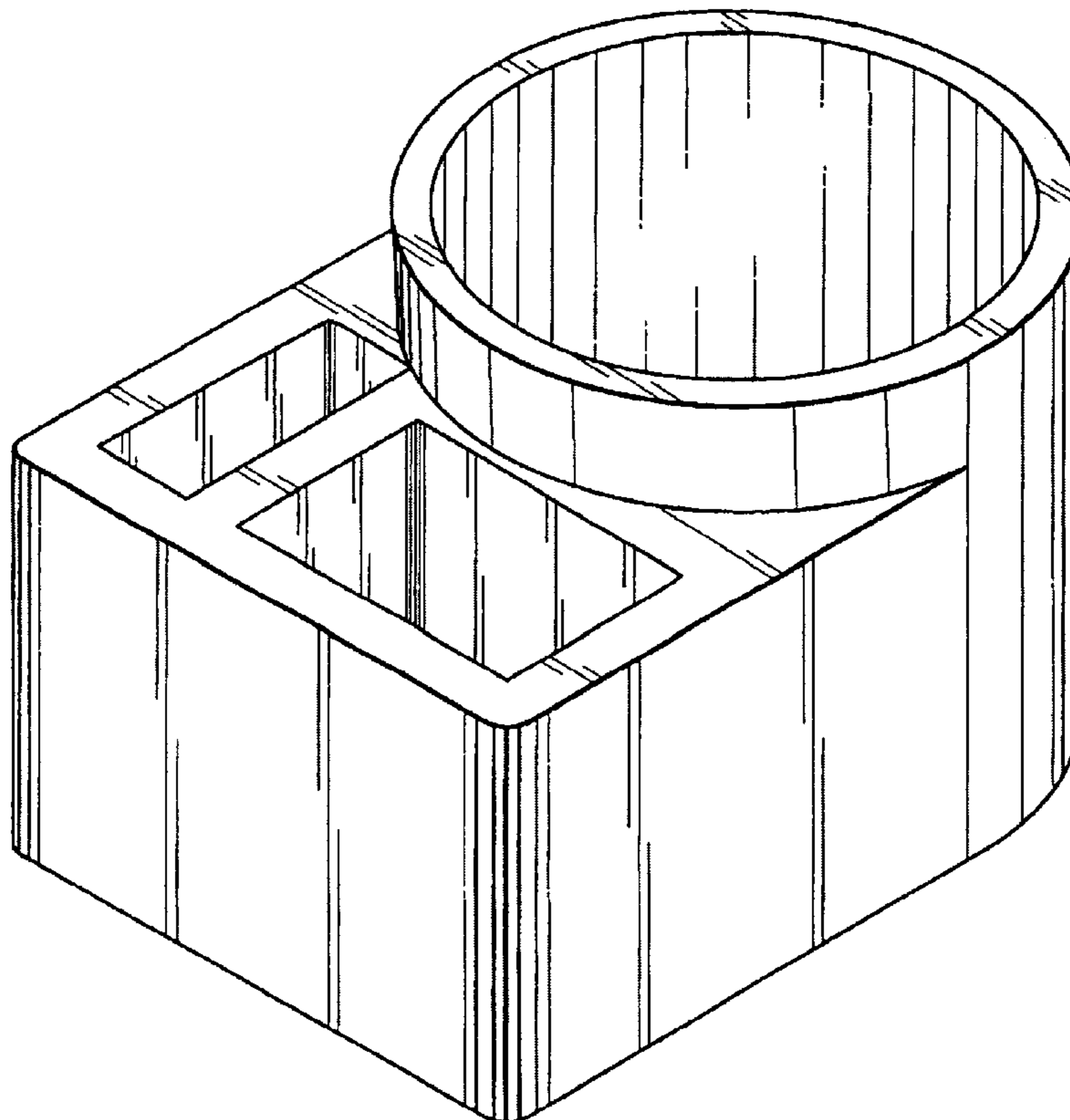
(57) **CLAIM**

The ornamental design of a beverage container and article holder, as shown and described.

DESCRIPTION

FIG. 1 is a perspective view of a beverage container and article holder showing my new design;
 FIG. 2 is a front elevation view thereof;
 FIG. 3 is a right side elevation view thereof;
 FIG. 4 is a left side elevation view thereof;
 FIG. 5 is a rear elevation view thereof;
 FIG. 6 is a top plan view thereof; and,
 FIG. 7 is a bottom plan view thereof.

1 Claim, 4 Drawing Sheets



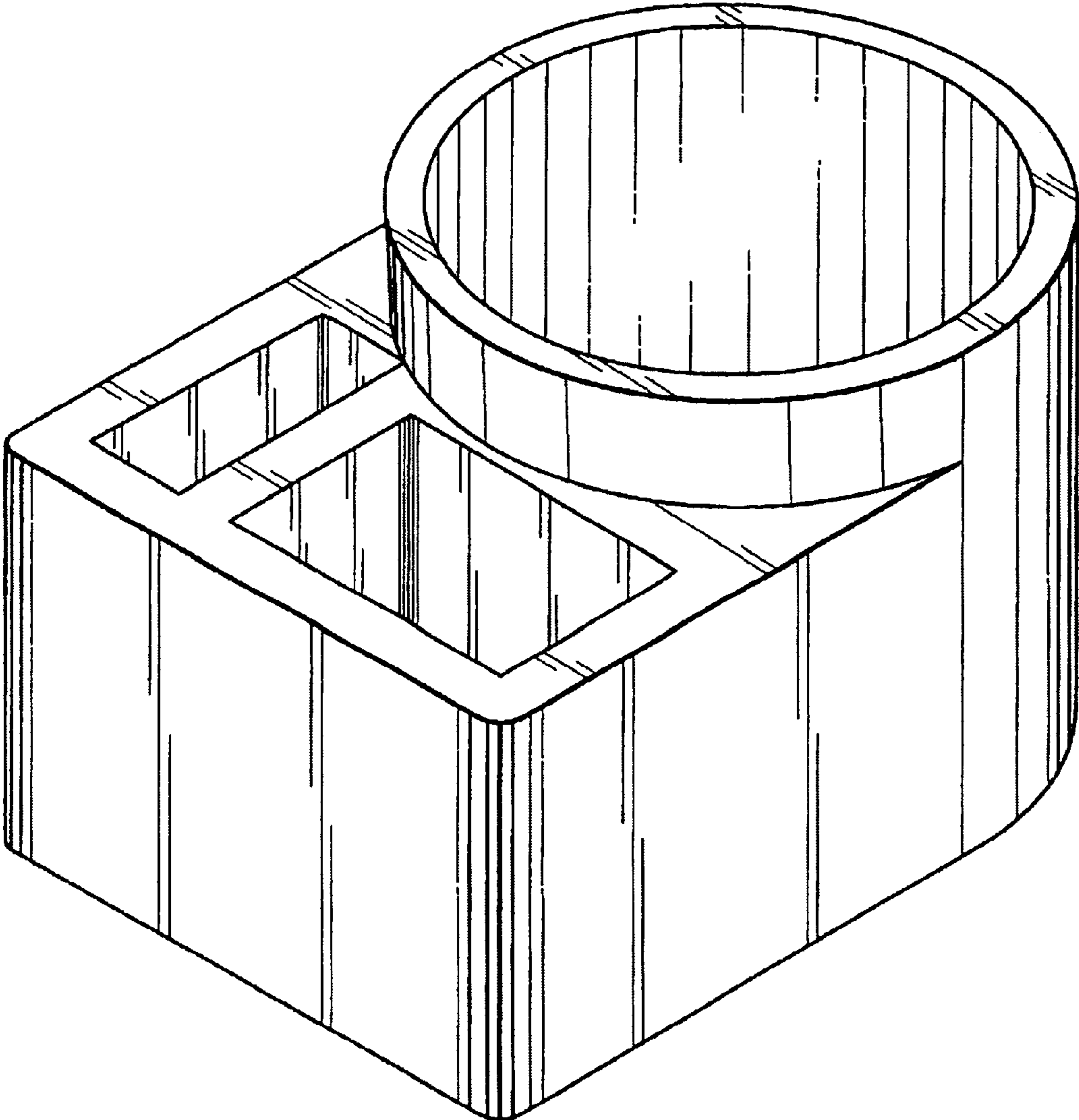


FIG. 1

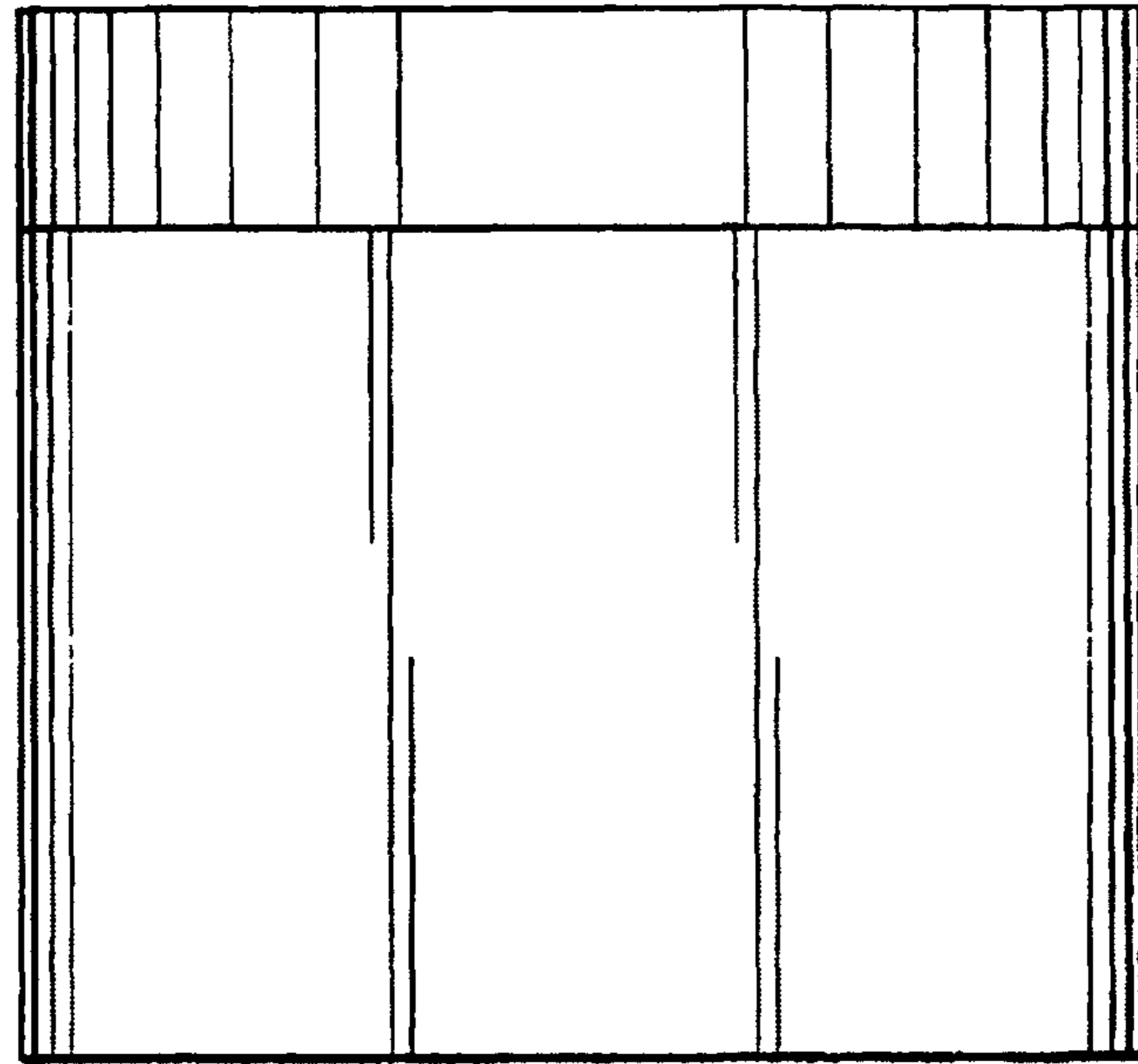


FIG. 2

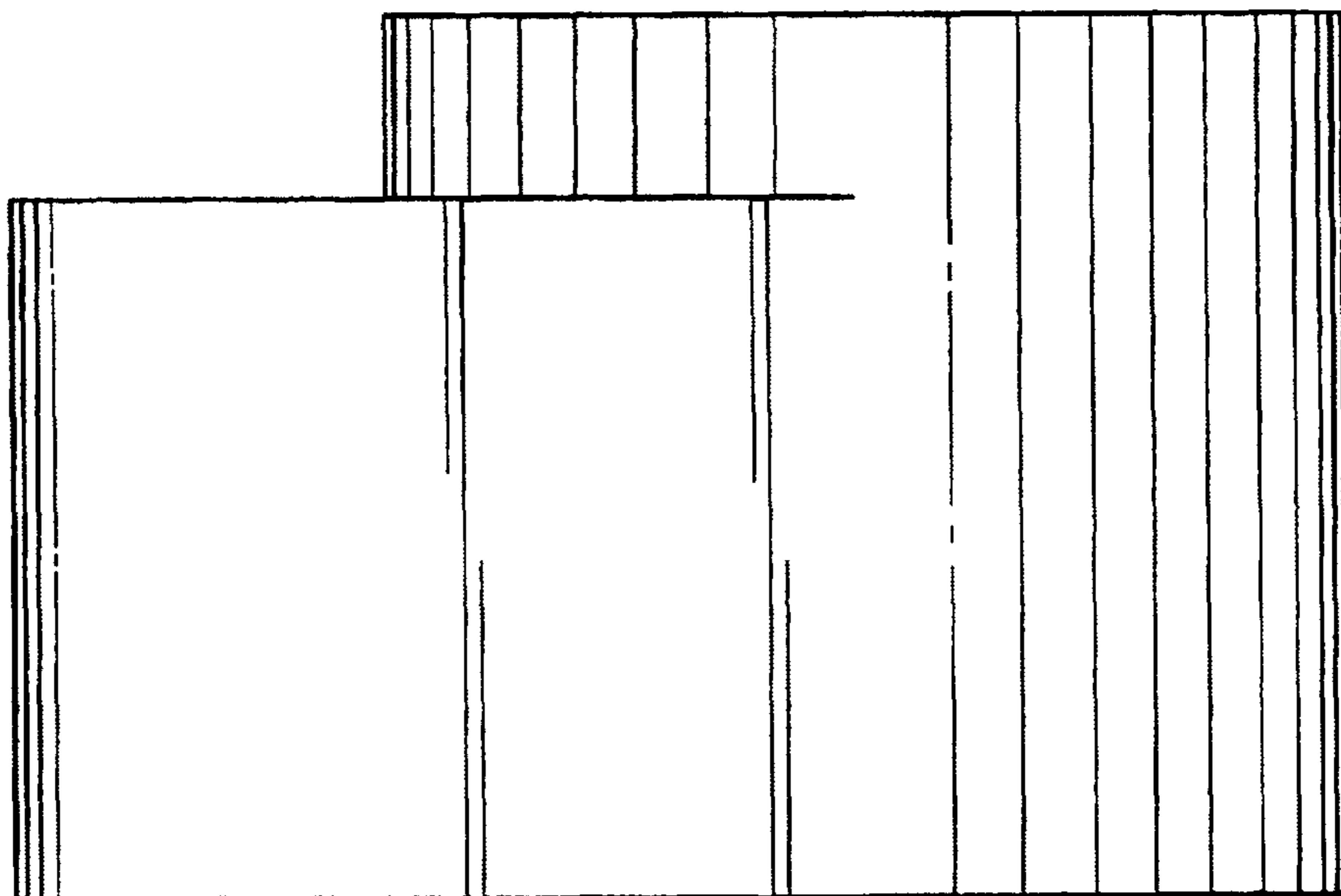


FIG. 3

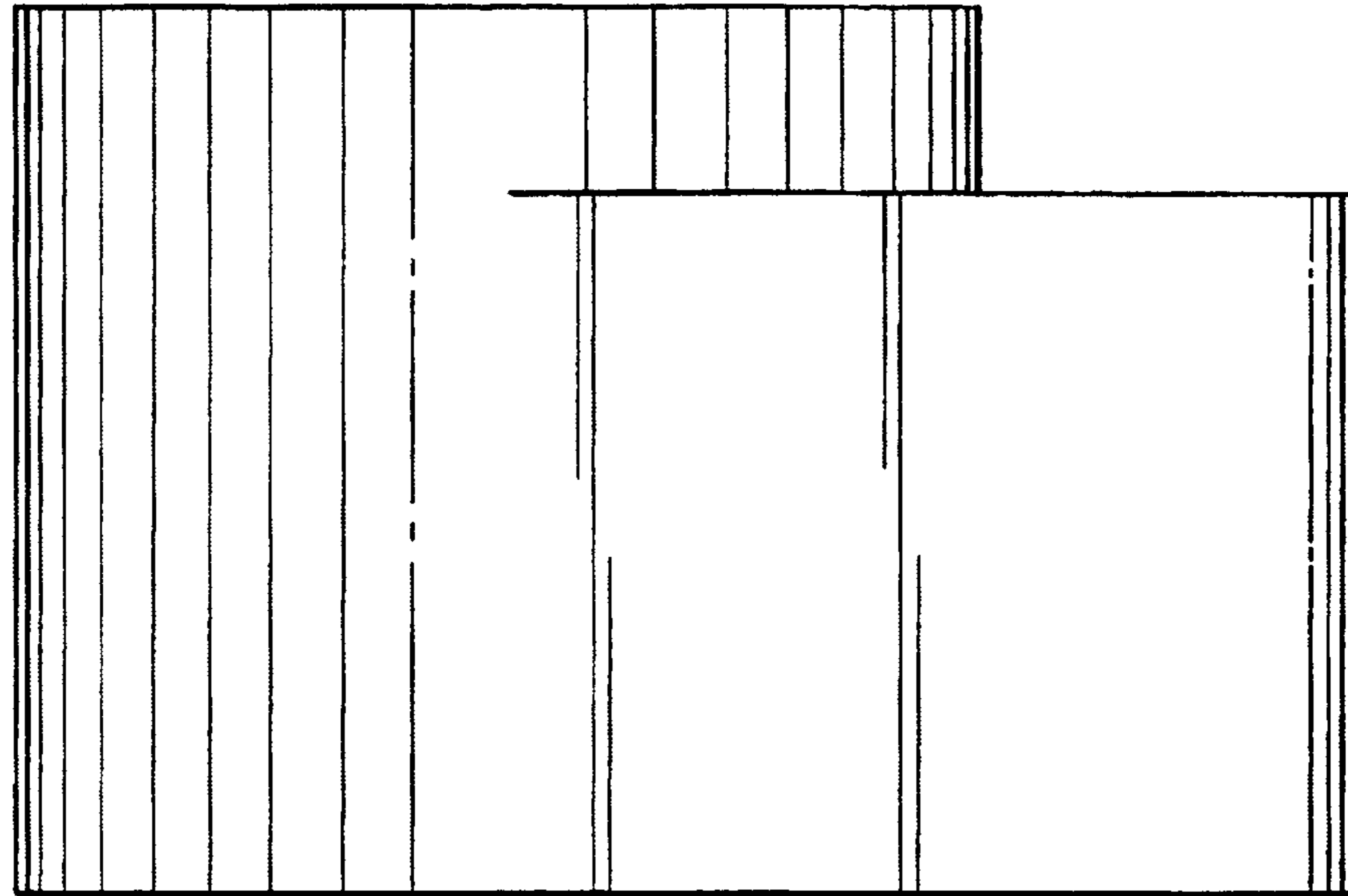


FIG. 4

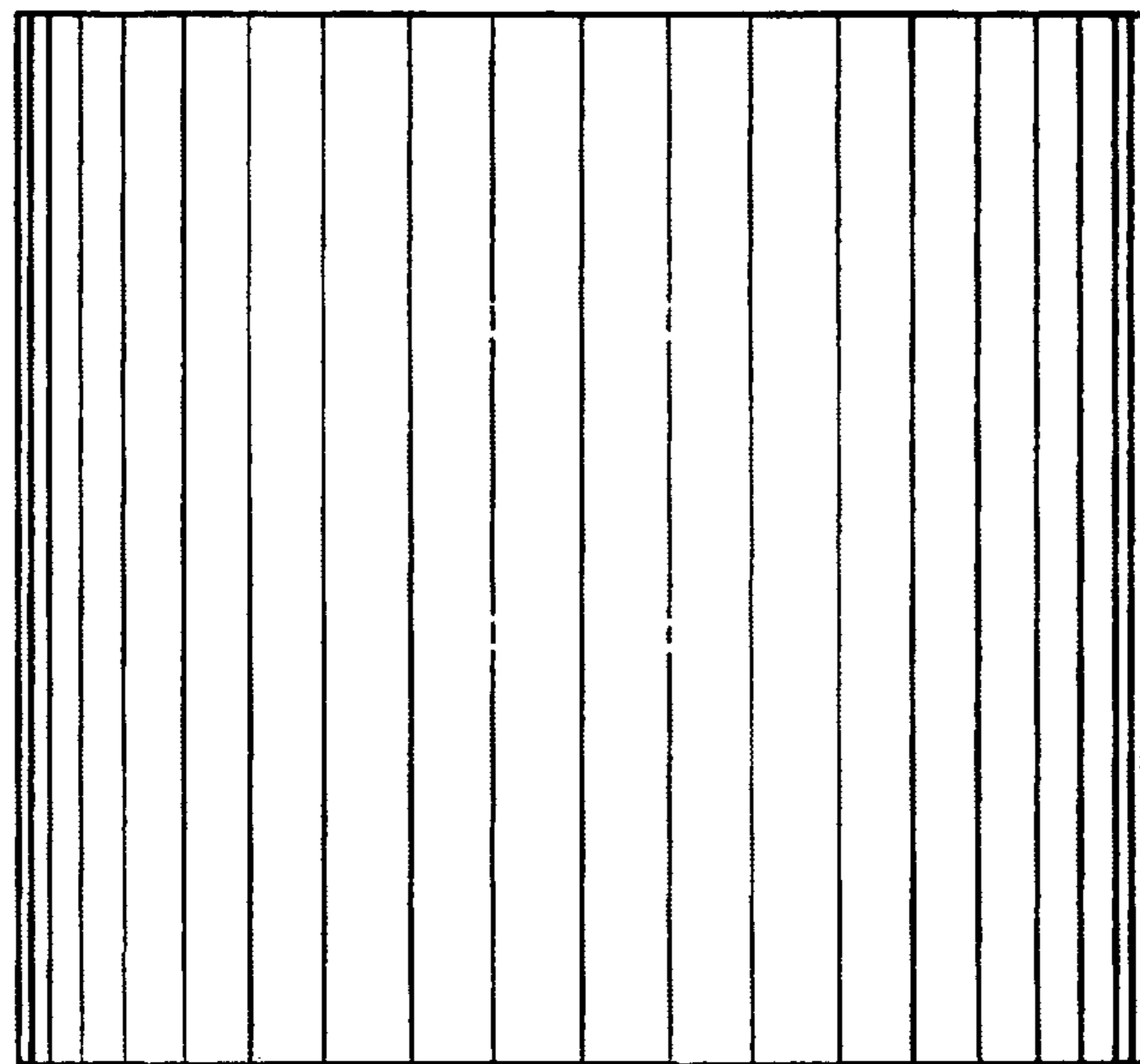


FIG. 5

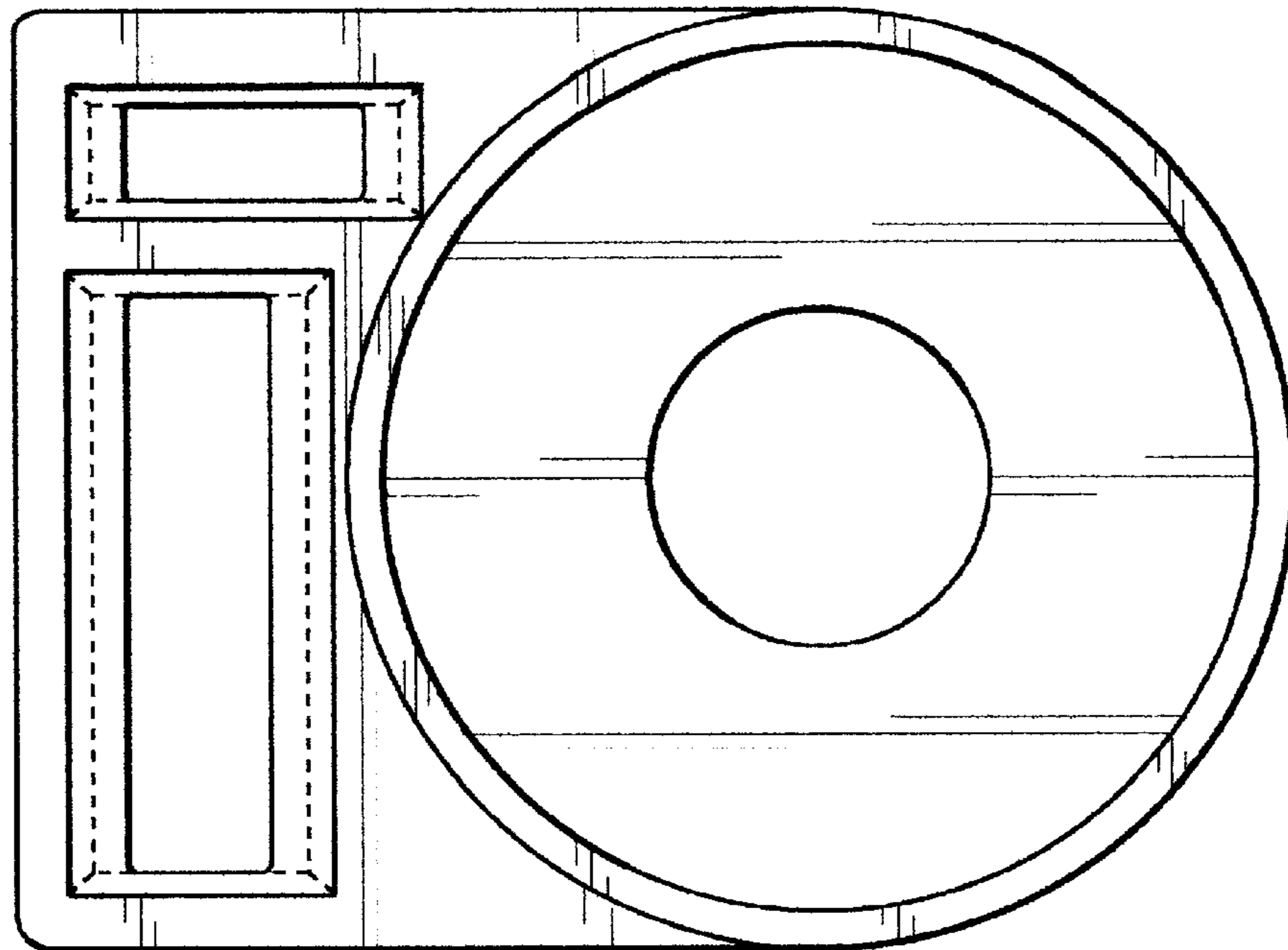


FIG. 6

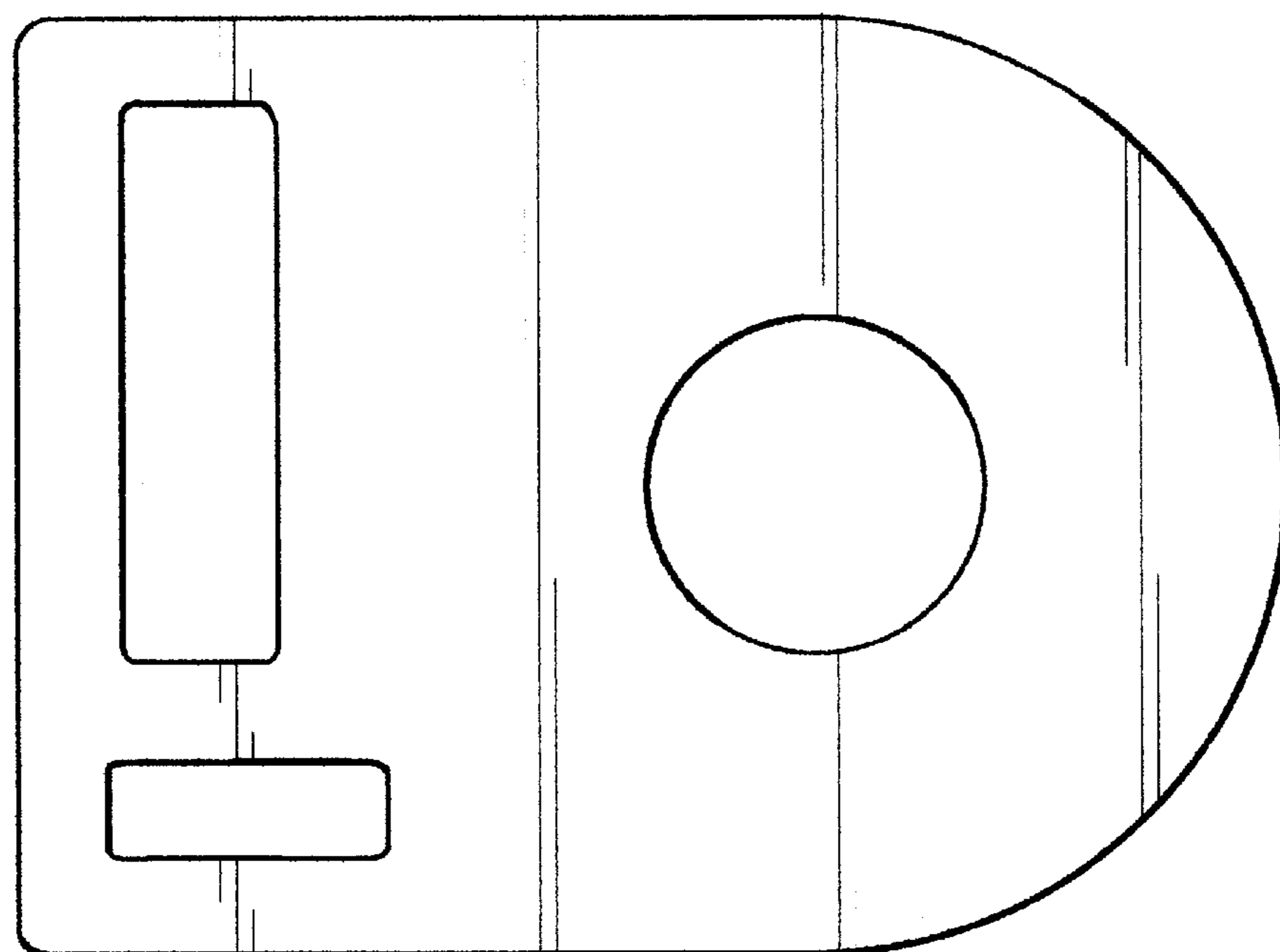


FIG. 7