



US00D514895S

(12) **United States Design Patent**
van Elderen

(10) **Patent No.:** **US D514,895 S**

(45) **Date of Patent:** **** Feb. 14, 2006**

(54) **COFFEE PAD BIN**

(75) **Inventor:** **Christ Martijn van Elderen,**
Eindhoven (NL)

(73) **Assignee:** **Brabantia Nederland B.V.,** Waalre
(NL)

(**) **Term:** **14 Years**

(21) **Appl. No.:** **29/210,803**

(22) **Filed:** **Aug. 5, 2004**

(51) **LOC (8) Cl.** **07-01**

(52) **U.S. Cl.** **D7/615; D7/602**

(58) **Field of Classification Search** D7/612-615,
D7/601, 602, 629; D9/516, 549, 574, 575,
D9/428; D27/172, 186; 220/700, 780-806
See application file for complete search history.

(56) **References Cited**

U.S. PATENT DOCUMENTS

D267,071 S * 11/1982 Carlson D7/612

D352,210 S * 11/1994 Cousins et al. D7/612
D397,586 S * 9/1998 Bowers D7/615
5,803,298 A * 9/1998 Hausmann 220/700
D412,373 S * 7/1999 Krawec et al. D7/615

* cited by examiner

Primary Examiner—Terry A. Wallace

(74) *Attorney, Agent, or Firm*—Abelman, Frayne &
Schwab

(57) **CLAIM**

The ornamental design for a coffee pad bin, as shown and
described.

DESCRIPTION

FIG. 1 is a top front perspective view of a coffee pad bin
showing my new design, with the rear, left, and right top
perspective views being identical thereto;
FIG. 2 is a top plan view thereof;
FIG. 3 is a front elevational view thereof, with the rear, left,
and right side elevational views being identical thereto; and,
FIG. 4 is a bottom plan view thereof.

1 Claim, 2 Drawing Sheets

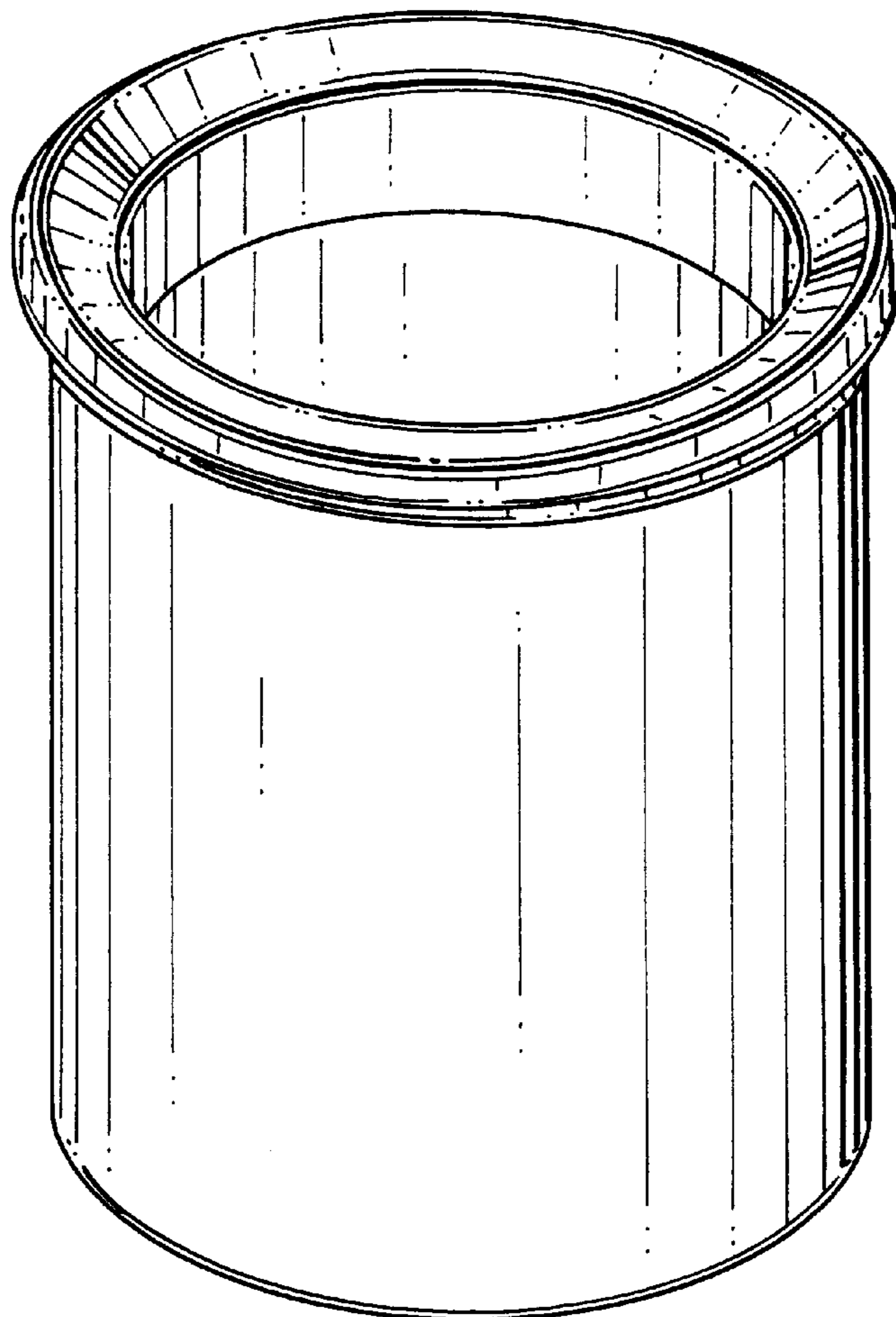


FIG. 1

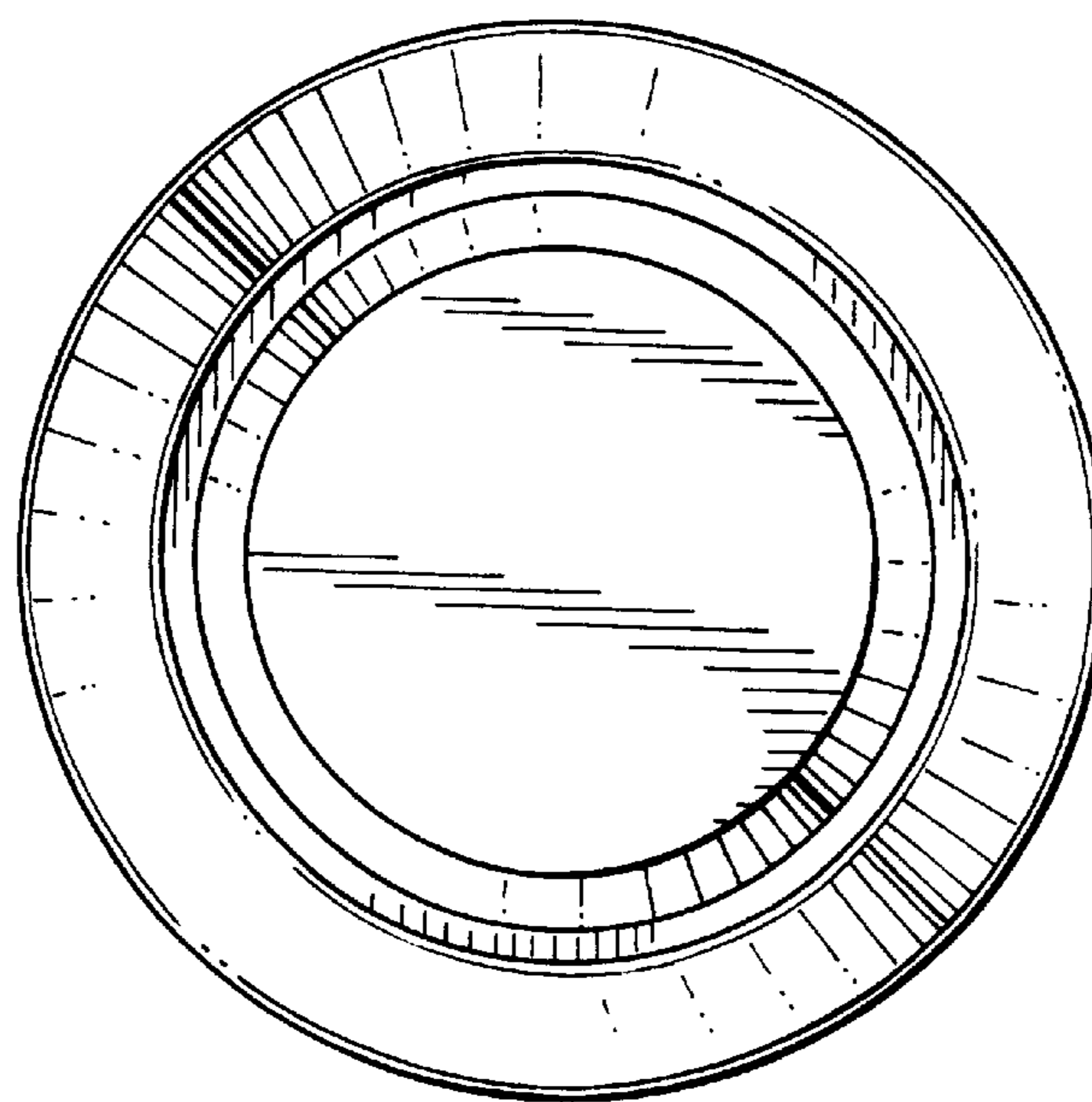
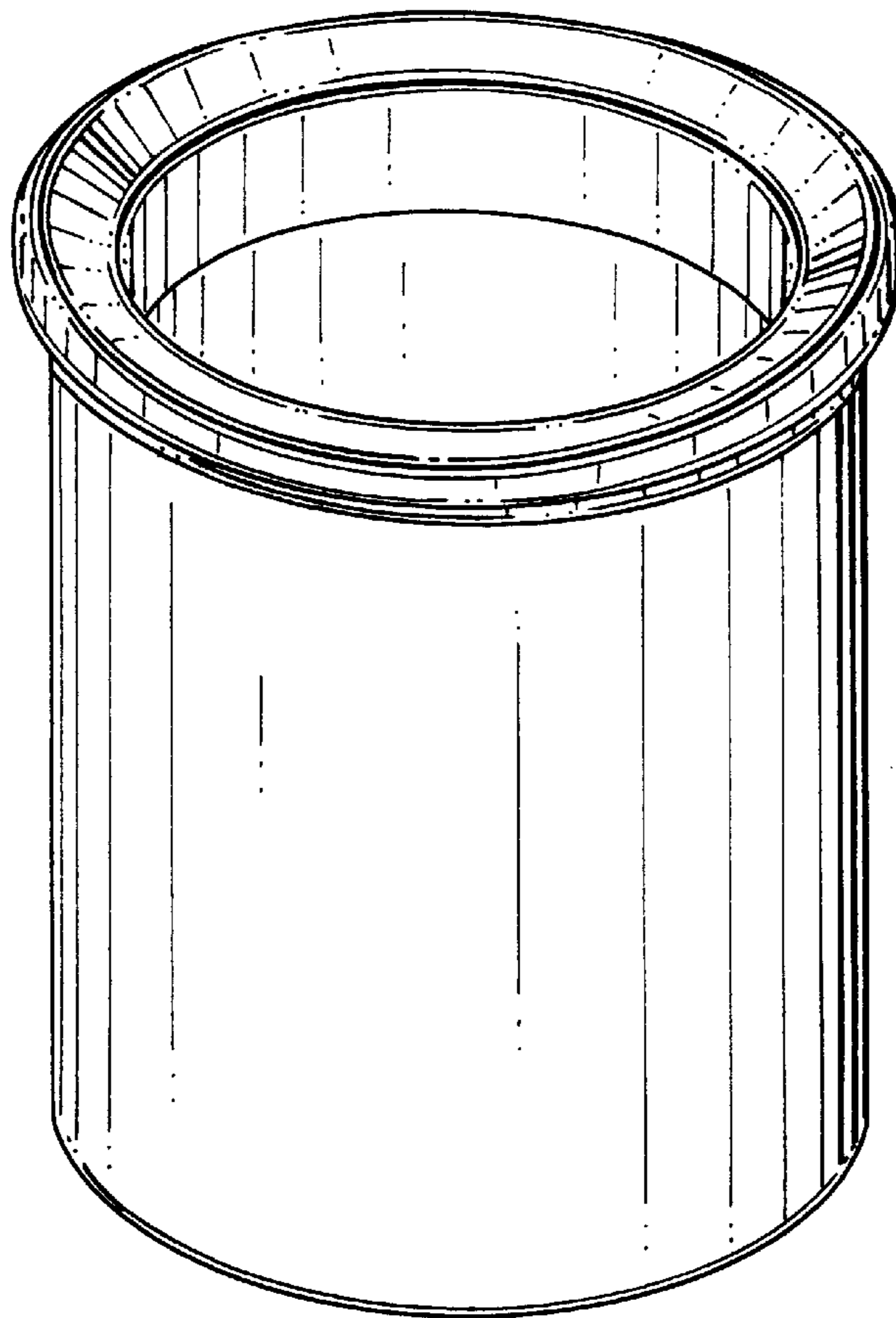


FIG. 2

FIG. 3

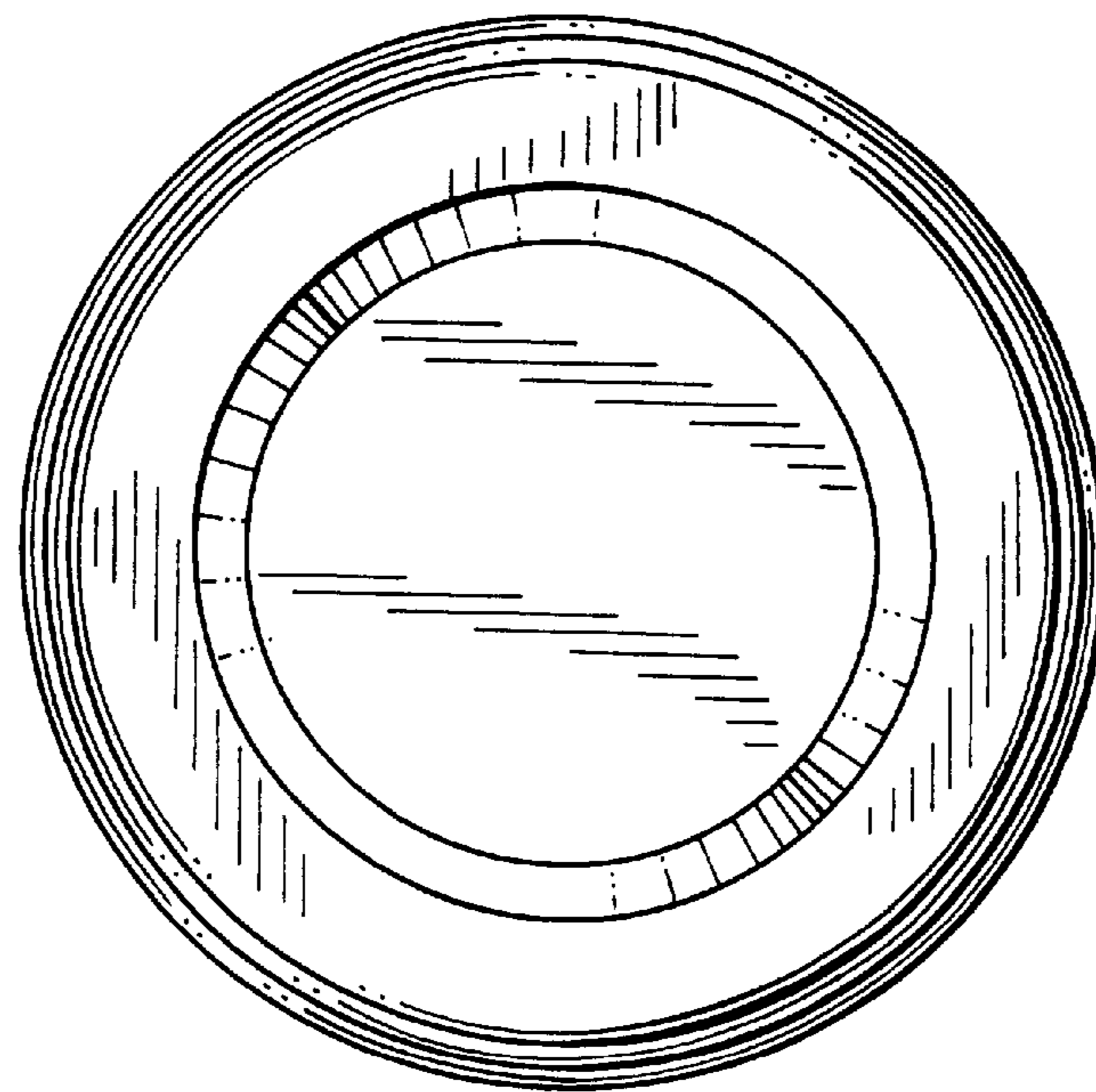
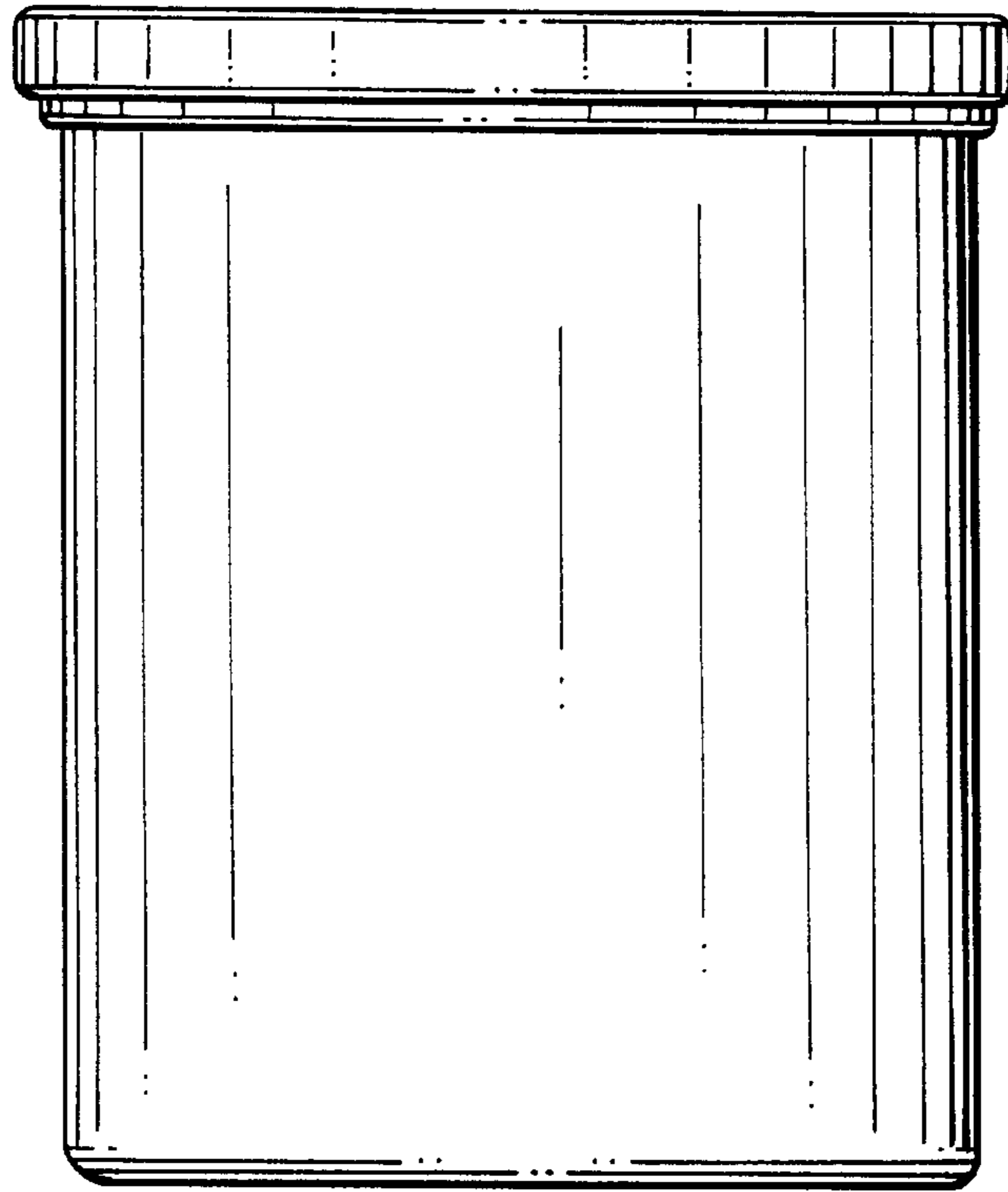


FIG. 4