



US00D514892S

(12) **United States Design Patent**  
**Lee**

(10) **Patent No.:** **US D514,892 S**  
(45) **Date of Patent:** **\*\* Feb. 14, 2006**

(54) **COOLER**

6,305,185 B1 \* 10/2001 Sloan ..... 62/457.7

(76) **Inventor:** **Wen Sung Lee**, No. 42, Chong Der 5th Road, Taichung 40670 (TW)

\* cited by examiner

*Primary Examiner*—Terry A. Wallace

(\*\*) **Term:** **14 Years**

(74) *Attorney, Agent, or Firm*—Charles E. Baxley

(21) **Appl. No.:** **29/218,595**

(57) **CLAIM**

(22) **Filed:** **Dec. 6, 2004**

The ornamental design for a cooler, as shown and described.

(51) **LOC (8) Cl.** ..... **07-01**

**DESCRIPTION**

(52) **U.S. Cl.** ..... **D7/605; D14/168**

FIG. 1 is a perspective view of a cooler showing my new design;

(58) **Field of Classification Search** ..... D7/605–608;

FIG. 2 is a front elevational view thereof;

D14/168; 62/457.1–457.9, 3.62, 371, 372;

FIG. 3 is a rear elevational view thereof;

220/915.1, 915.2, 592.23, 592.24, 592.25,

FIG. 4 is a top plan view thereof;

220/592.2; 455/351

FIG. 5 is a bottom plan view thereof;

See application file for complete search history.

FIG. 6 is a left side elevational view thereof;

(56) **References Cited**

FIG. 7 is a right side elevational view thereof; and,

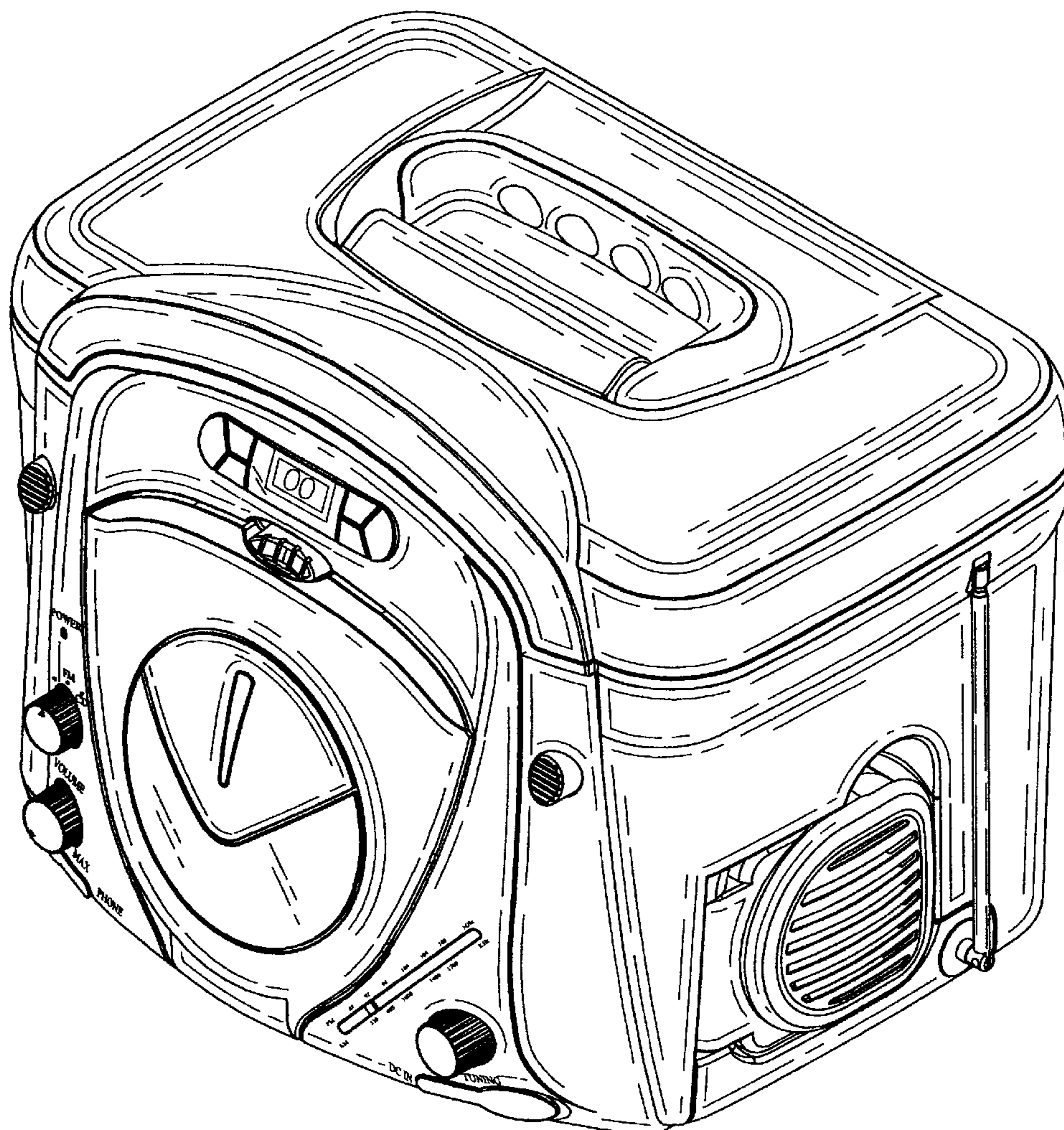
**U.S. PATENT DOCUMENTS**

FIG. 8 is a perspective view thereof, the rotatable speakers and the extendible antenna depicted by means of broken lines being for illustrative purposes only.

5,781,853 A \* 7/1998 Johnson ..... 455/351

5,979,175 A \* 11/1999 Ellison ..... 62/457.7

**1 Claim, 8 Drawing Sheets**



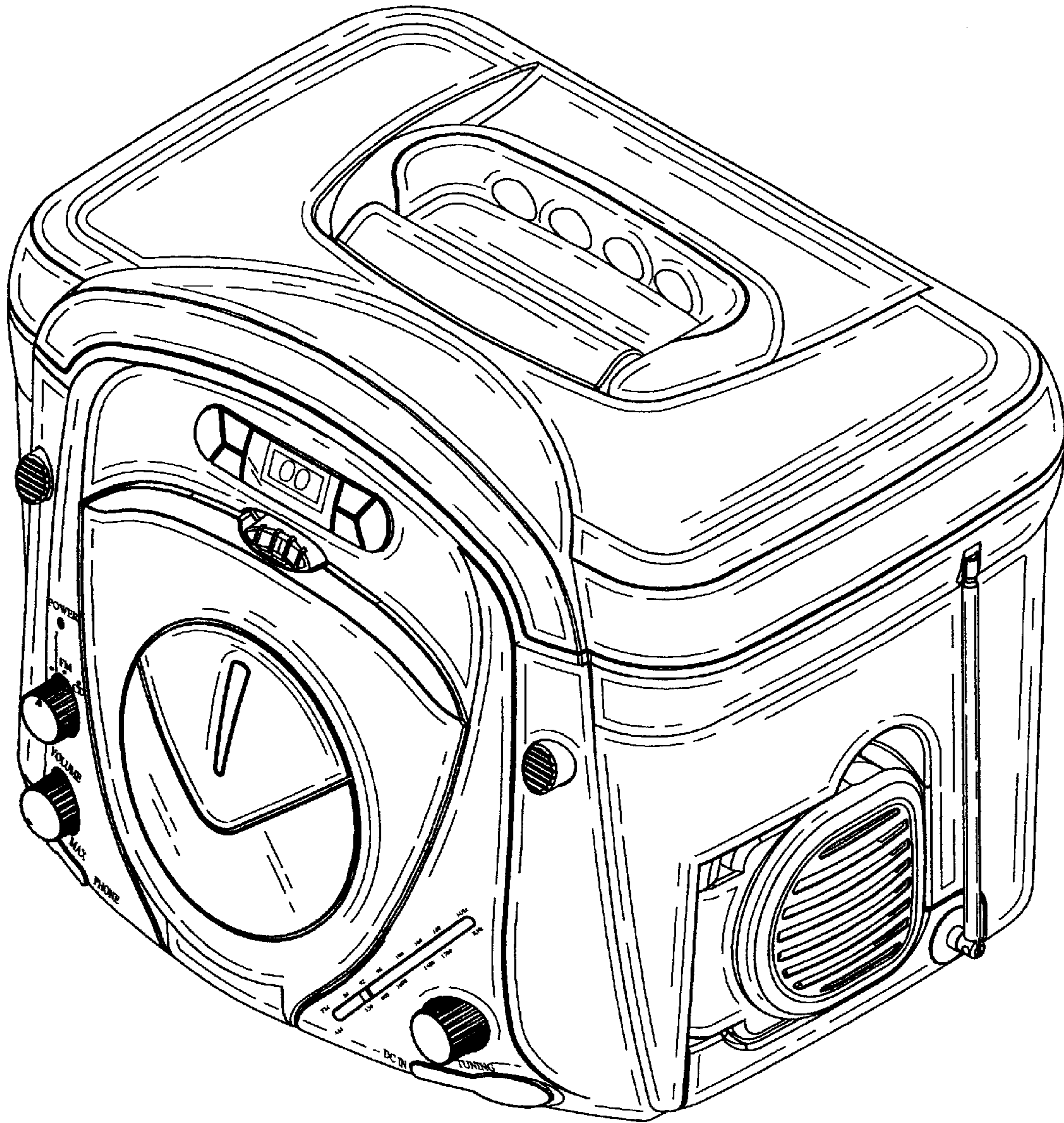


FIG. 1

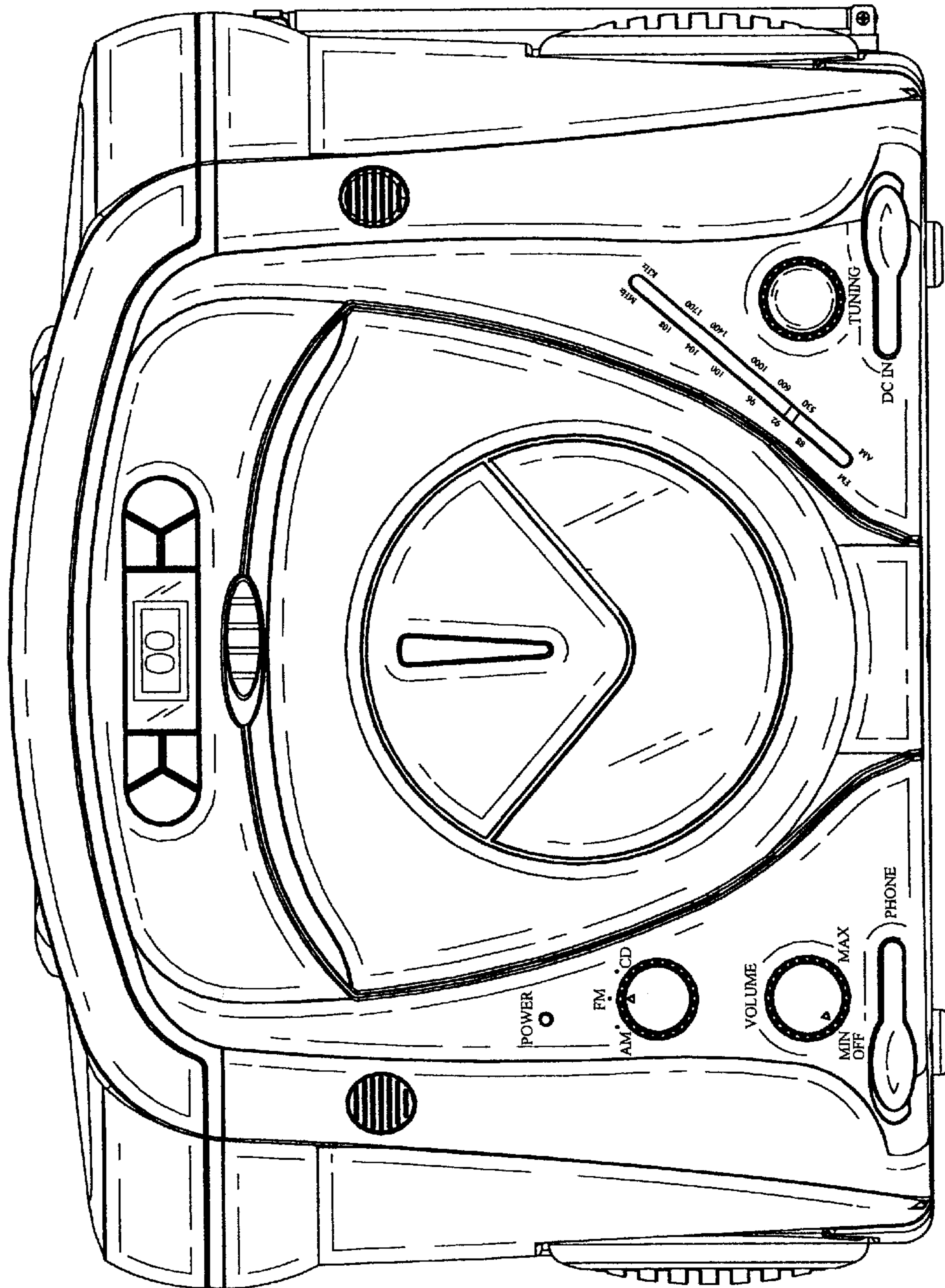


FIG. 2

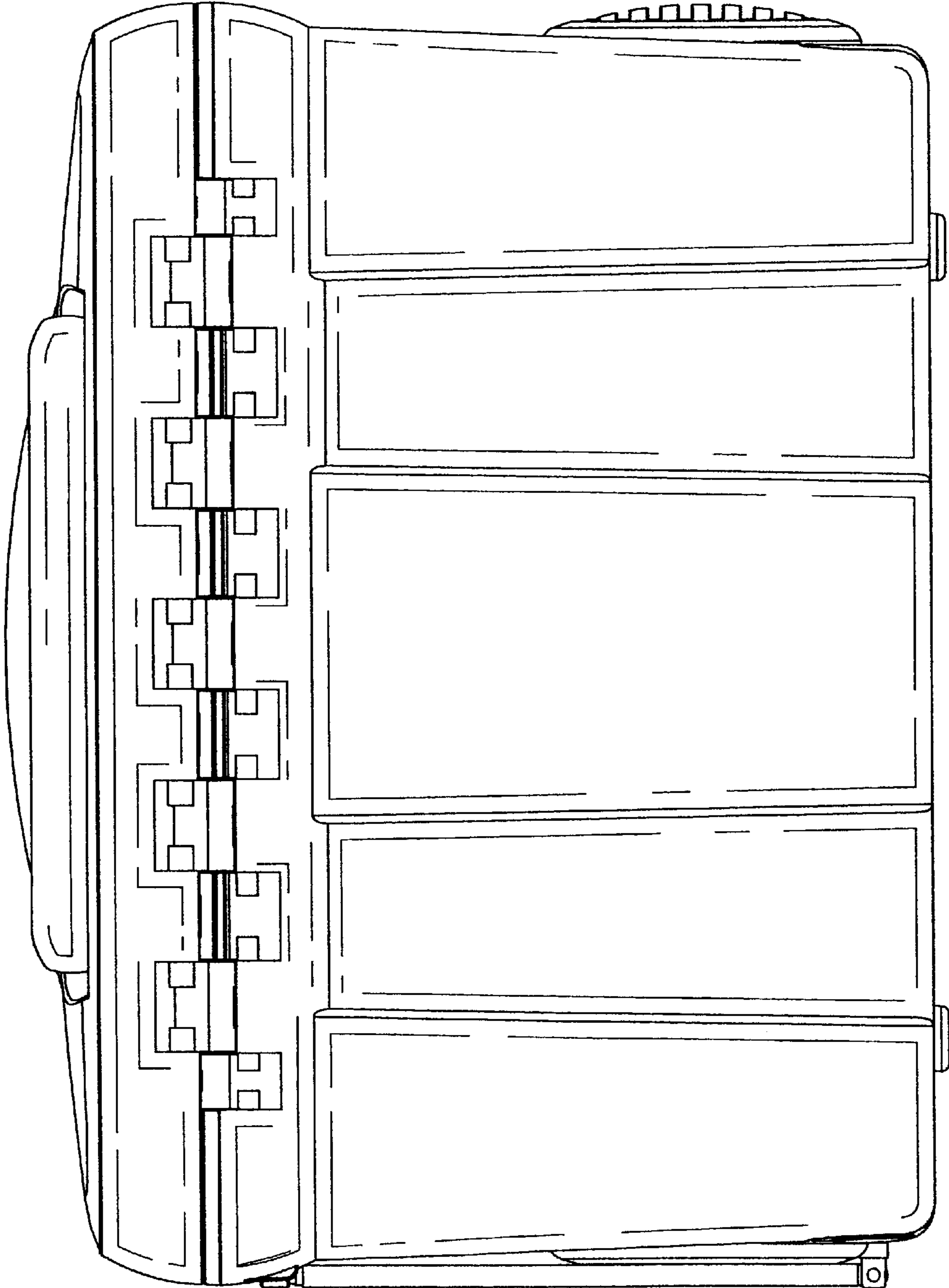


FIG. 3

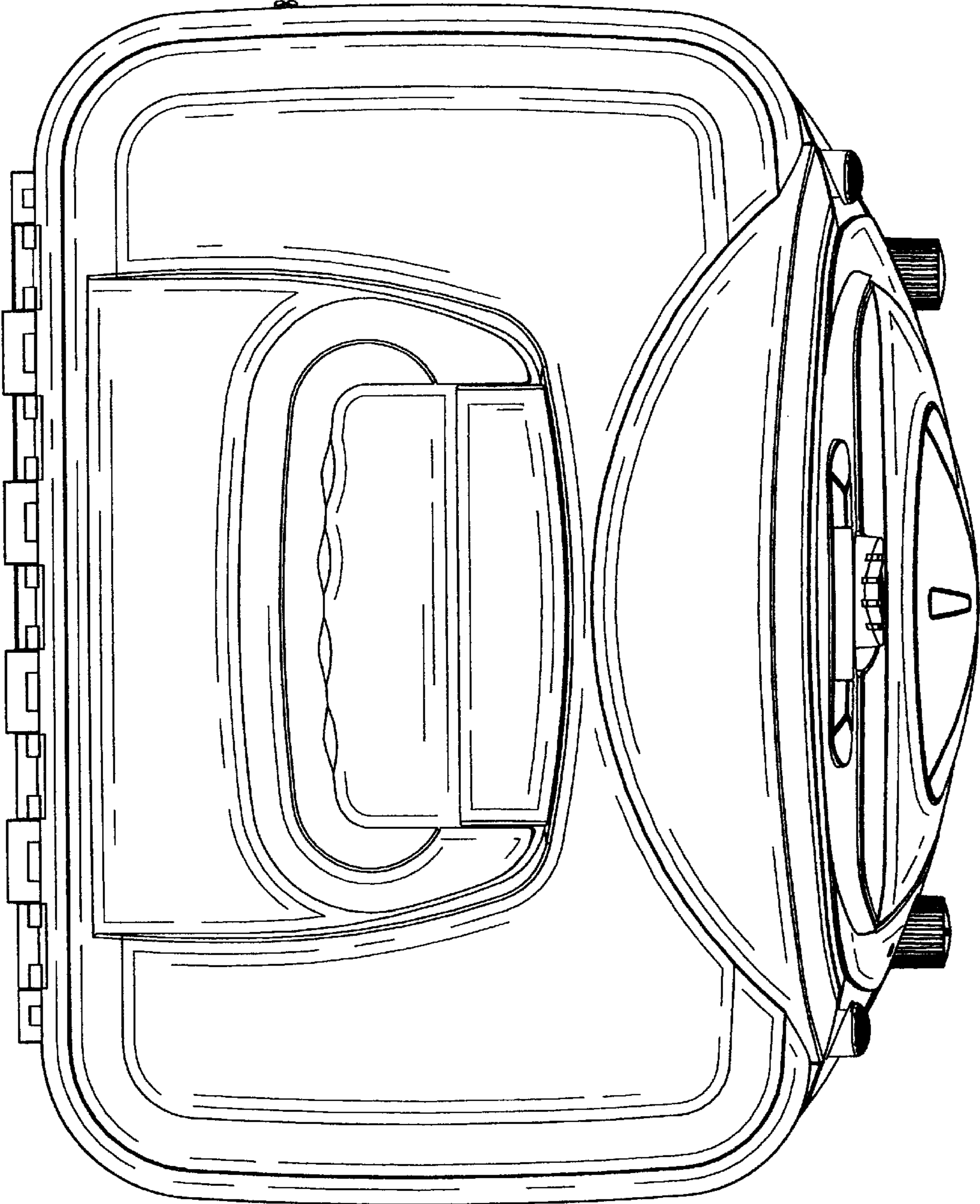


FIG. 4

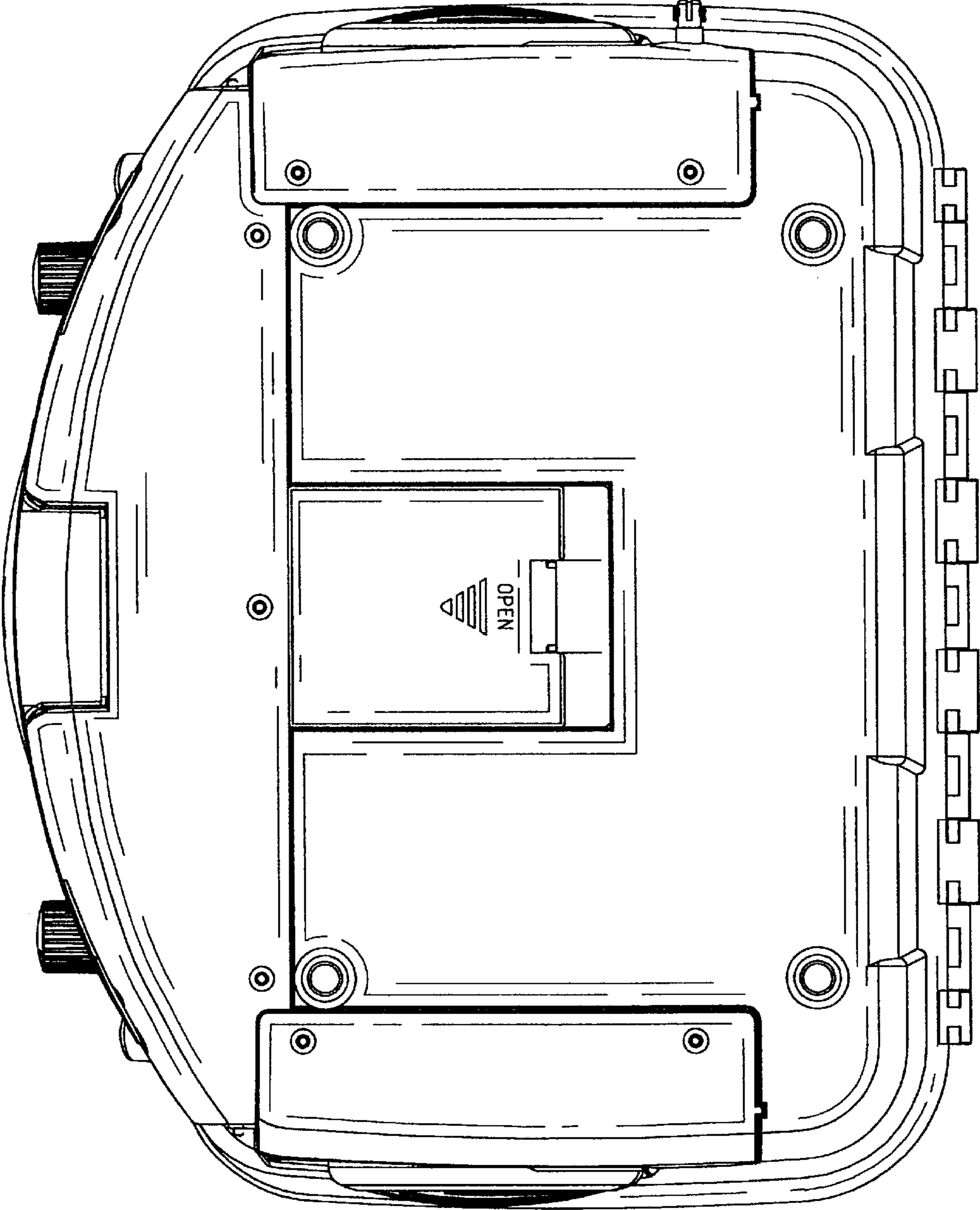


FIG. 5

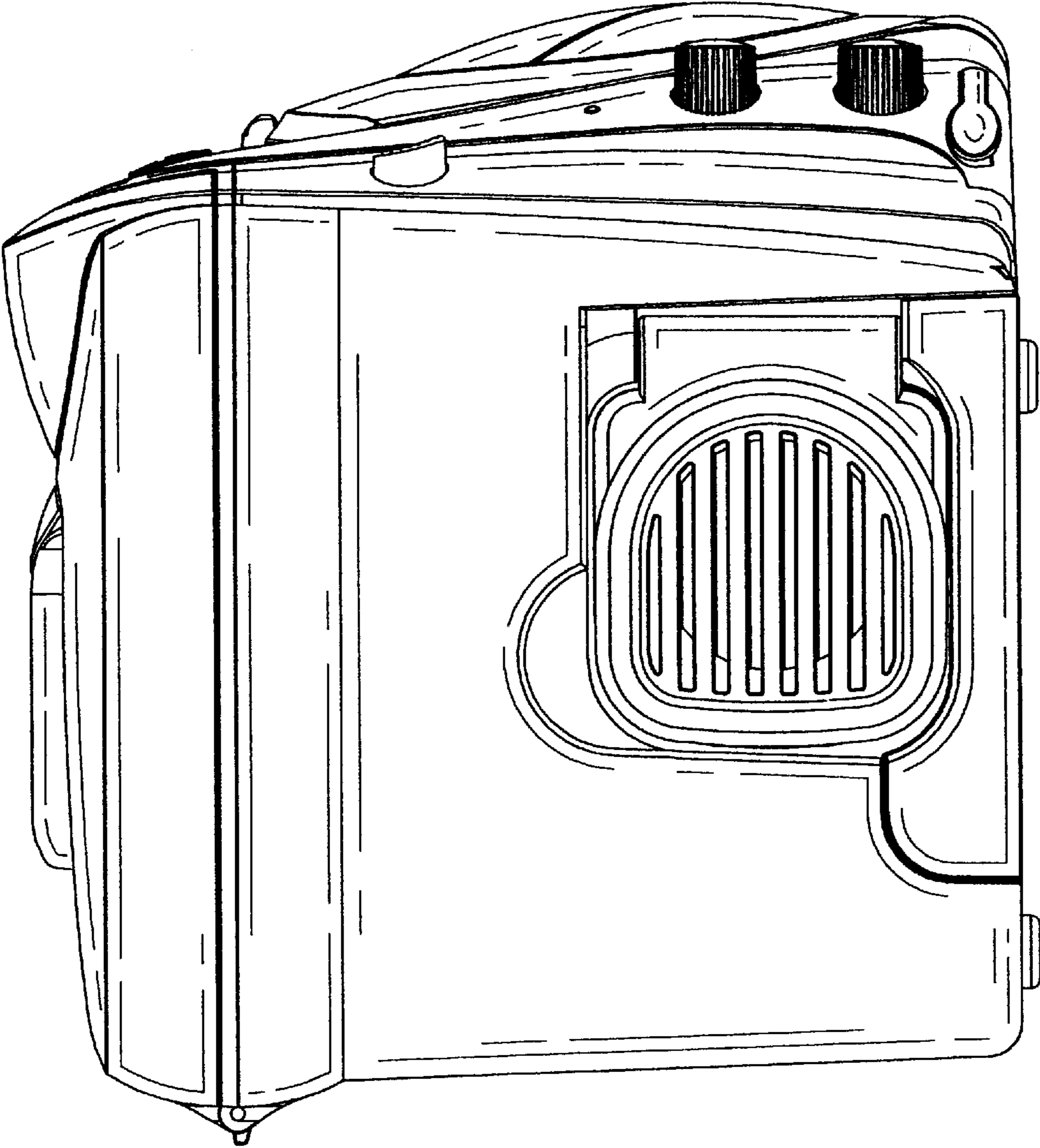


FIG. 6

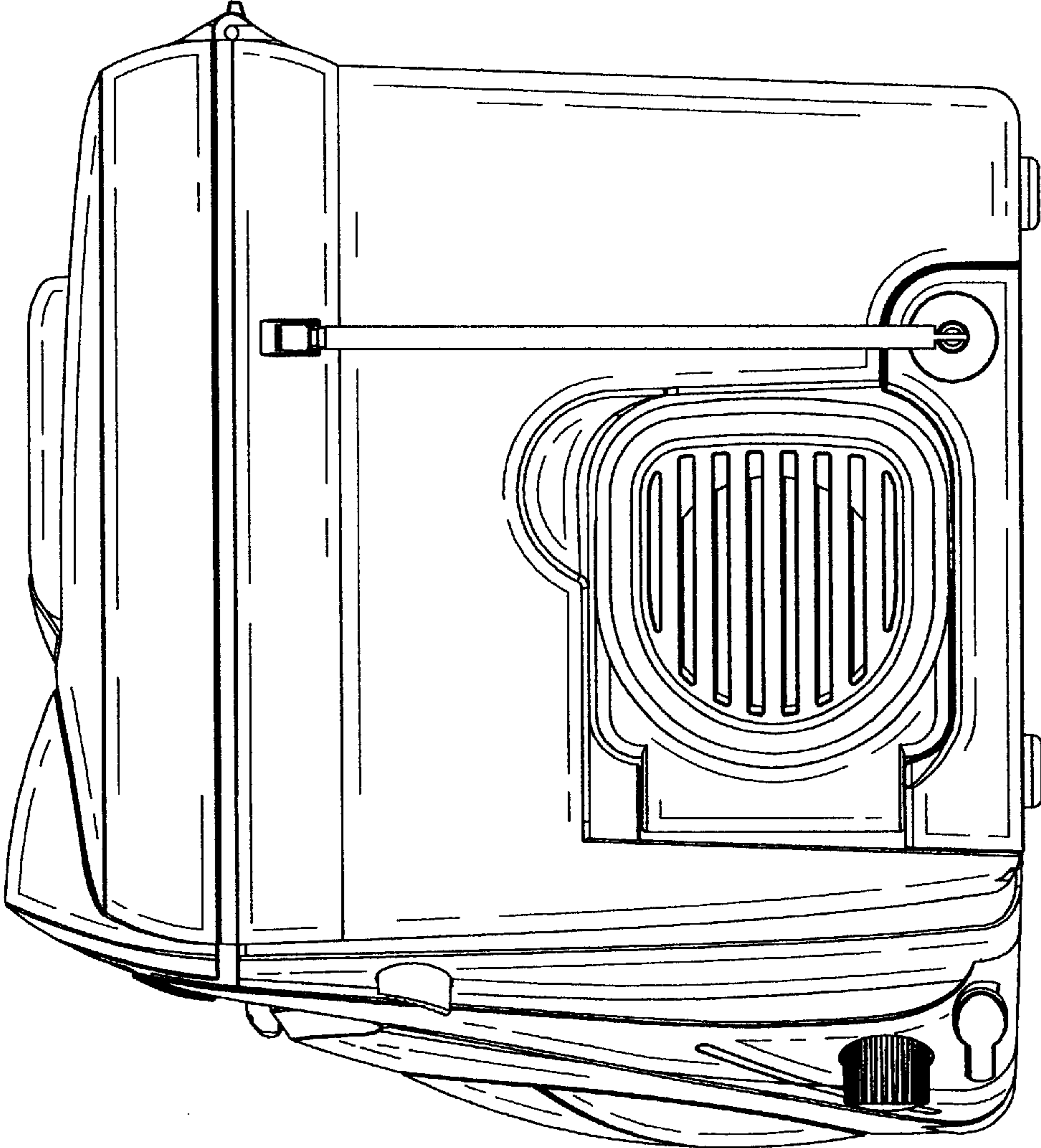


FIG. 7



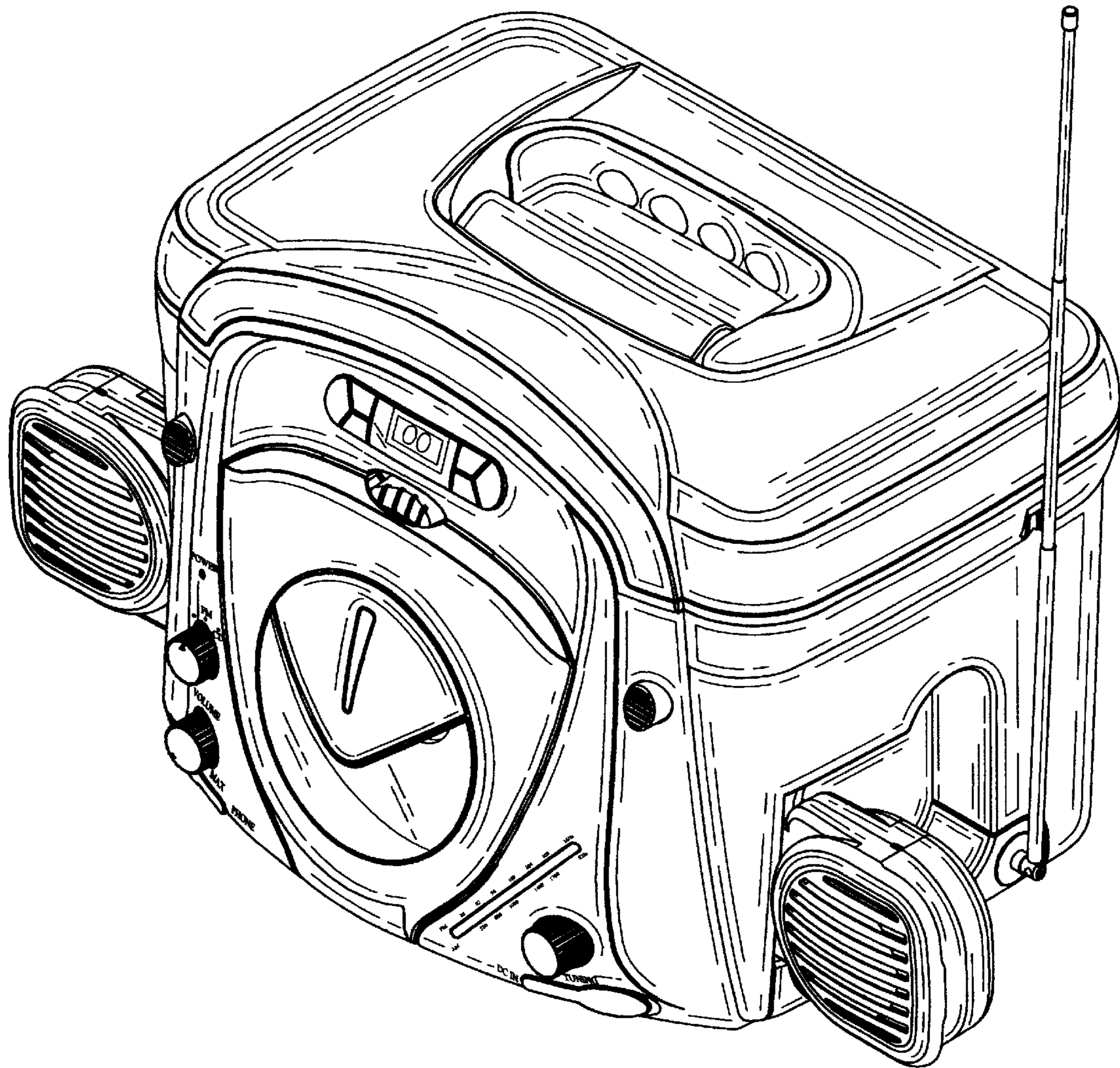


FIG. 8