

US00D514891S

(12) **United States Design Patent**
Garcia et al.

(10) **Patent No.: US D514,891 S**
(45) **Date of Patent: ** Feb. 14, 2006**

(54) **ICECHEST UMBRELLA HOLDER**

(76) Inventors: **Philip Garcia**, 12729 Edgefield St.,
Cerritos, CA (US) 90703; **Gloria Garcia**, 12729 Edgefield St., Cerritos,
CA (US) 90703

(**) Term: **14 Years**

(21) Appl. No.: **29/212,963**

(22) Filed: **Sep. 9, 2004**

(51) **LOC (8) Cl. 07-01**

(52) **U.S. Cl. D7/605**

(58) **Field of Classification Search** D7/605-608;
62/457.1-457.9, 331, 371, 372; 220/592.03,
220/592.2, 592.23-592.25, 915.1, 915.2;
280/47.18, 47.19, 47.26, 47.34, 47.371, 79.2,
280/30, 37; 135/16

See application file for complete search history.

(56) **References Cited**

U.S. PATENT DOCUMENTS

5,269,157 A * 12/1993 Ciminelli et al. 62/457.7
5,480,170 A 1/1996 Kaiser, II 280/30
D415,658 S * 10/1999 Frehse D7/605

6,076,298 A 6/2000 Teel 43/54.1
D429,606 S * 8/2000 Israel et al. D7/605
6,474,097 B2 * 11/2002 Treppedi et al. 62/457.7
6,554,012 B2 4/2003 Patarra 135/16
D479,440 S * 9/2003 Kennedy D7/605
6,796,319 B1 * 9/2004 Patarra et al. 135/16

* cited by examiner

Primary Examiner—Terry A. Wallace

(74) *Attorney, Agent, or Firm*—Goldstein Law Offices PC

(57) **CLAIM**

The ornamental design for a icechest umbrella holder, as shown and described.

DESCRIPTION

FIG. 1 is a perspective view of the icechest umbrella holder in full lines.

FIG. 2 is a front elevational view of the icechest umbrella holder.

FIG. 3 is a rear elevational view thereof.

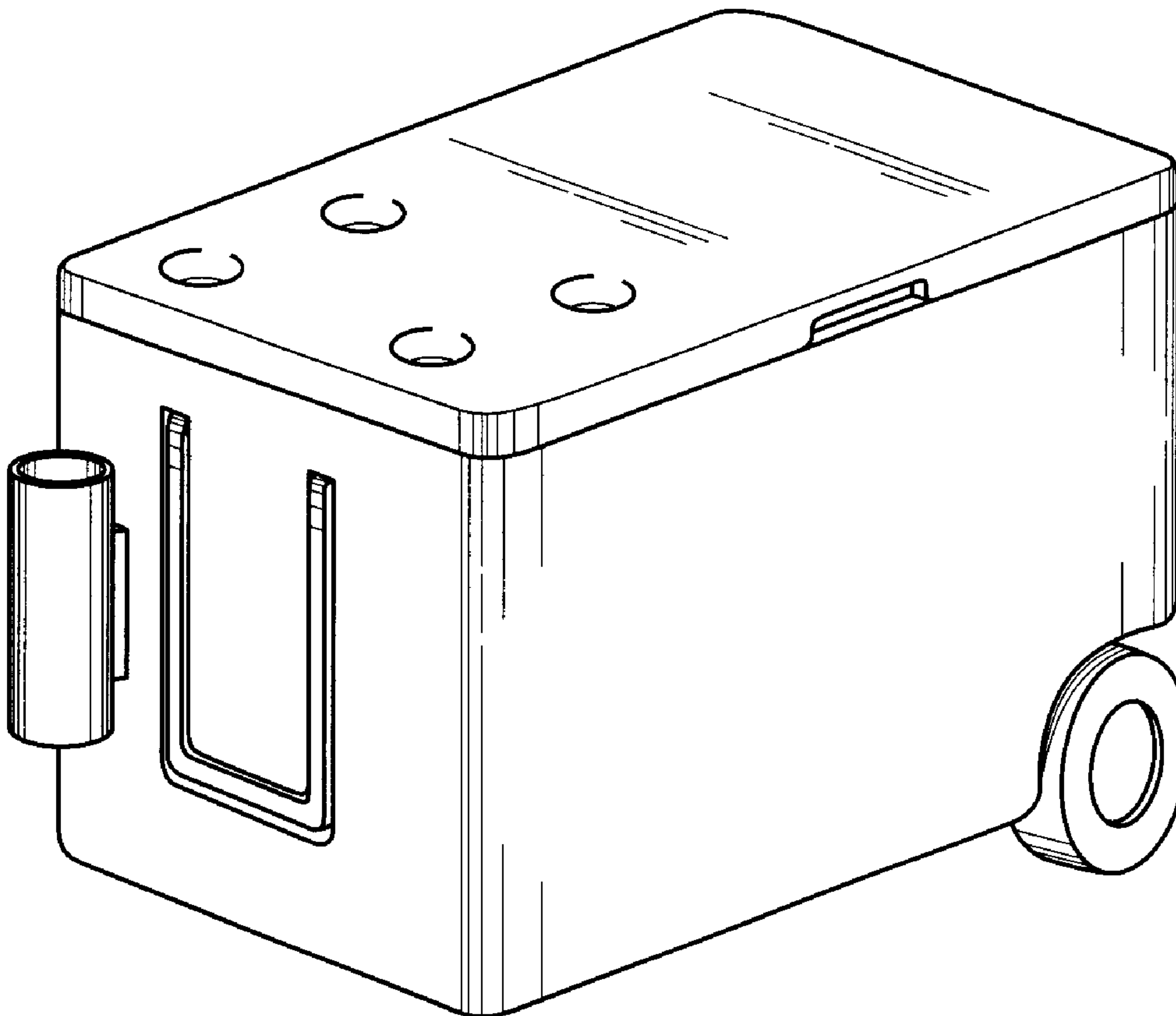
FIG. 4 is a right side elevational view thereof.

FIG. 5 is a left side elevational view thereof.

FIG. 6 is top plan view thereof; and,

FIG. 7 I a bottom plan view thereof.

1 Claim, 4 Drawing Sheets



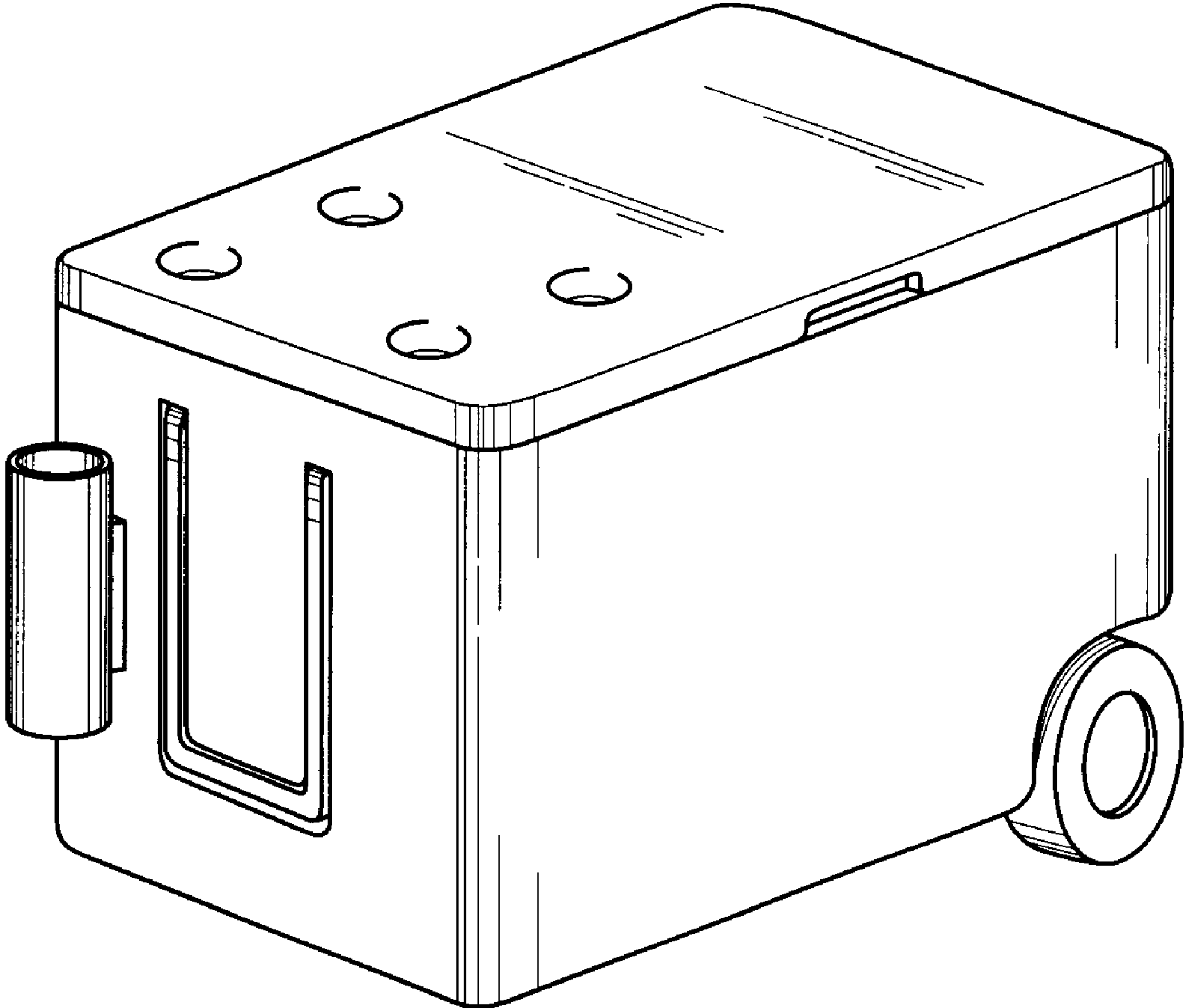


FIG. 1

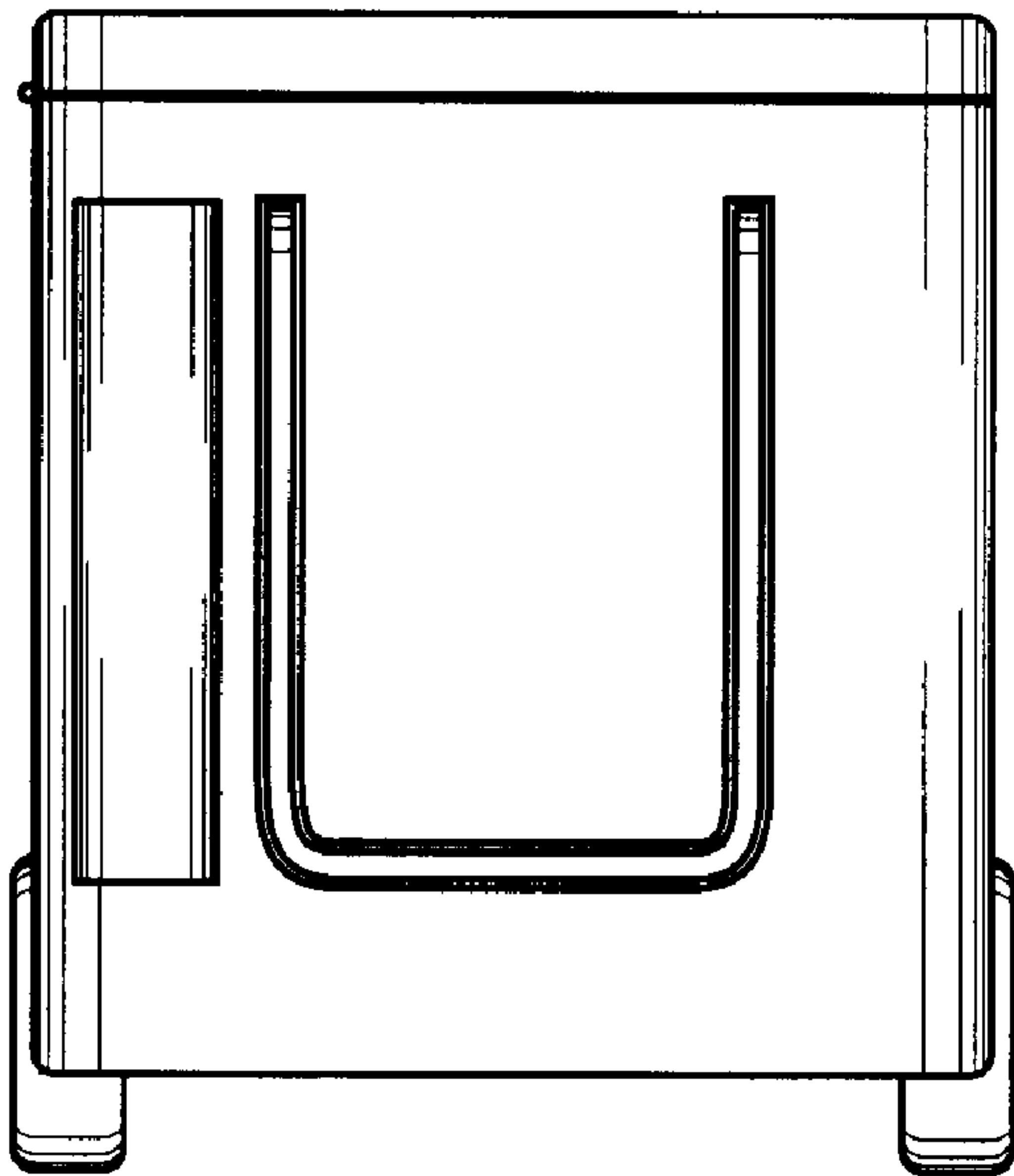


FIG. 2

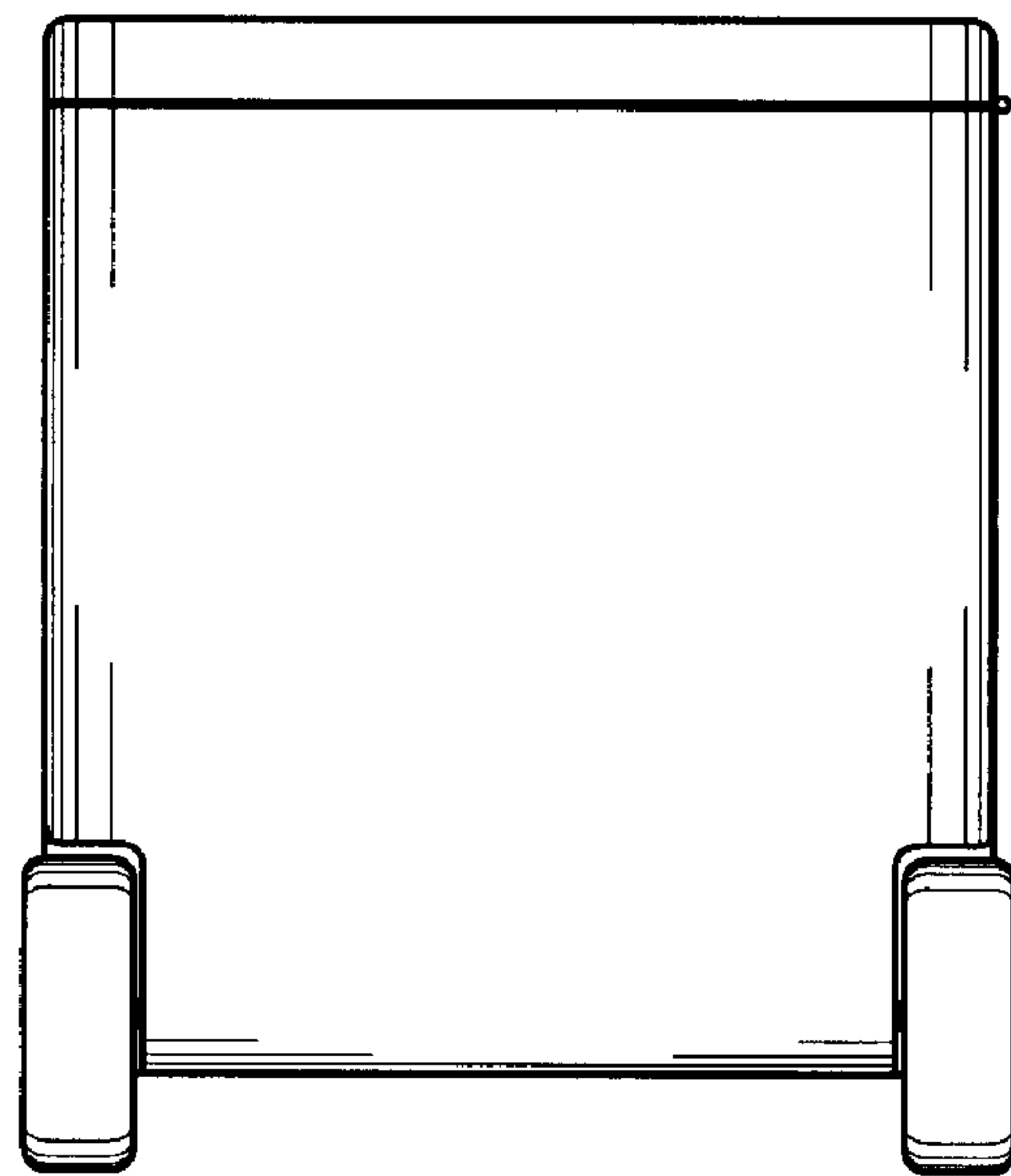


FIG. 3

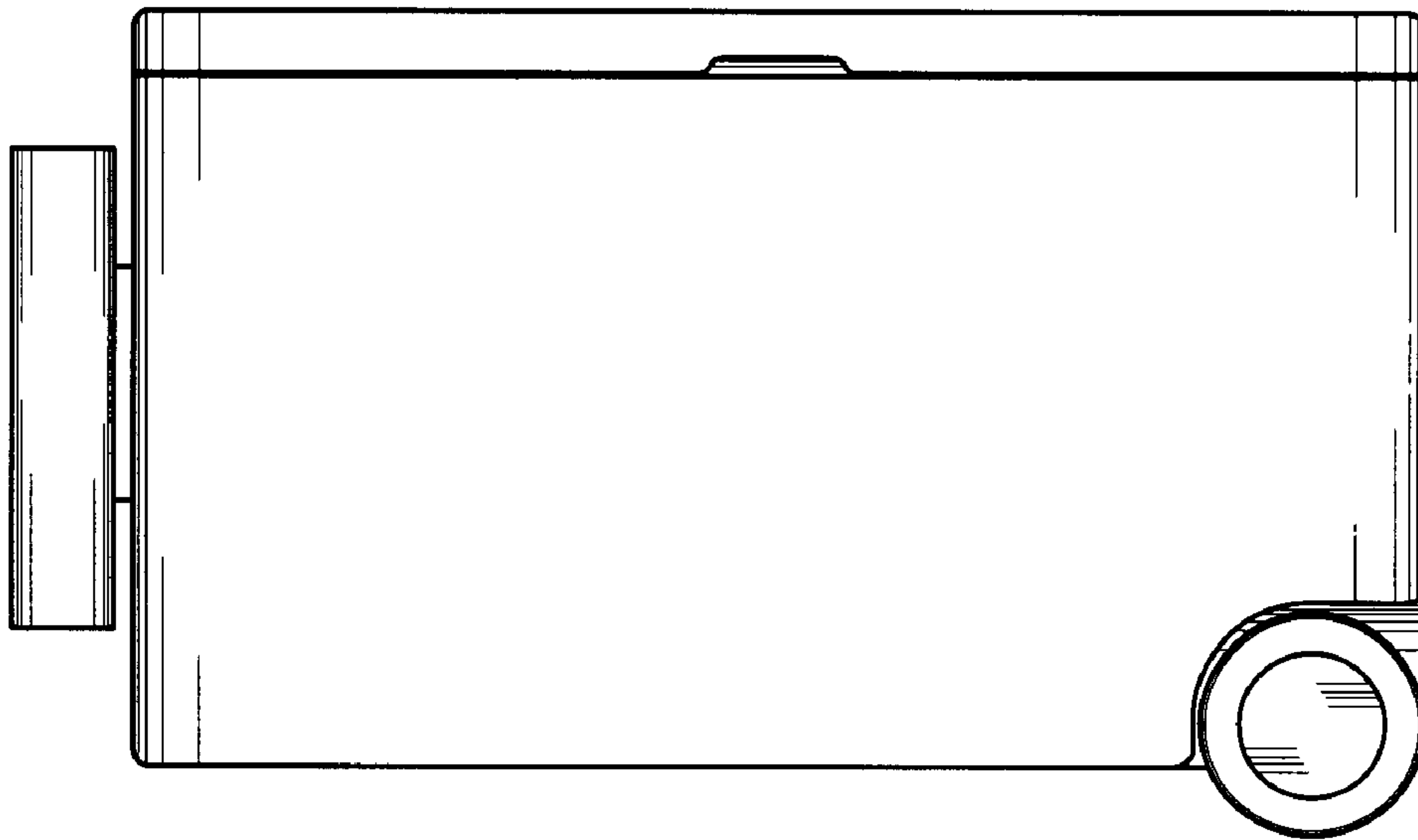


FIG. 4

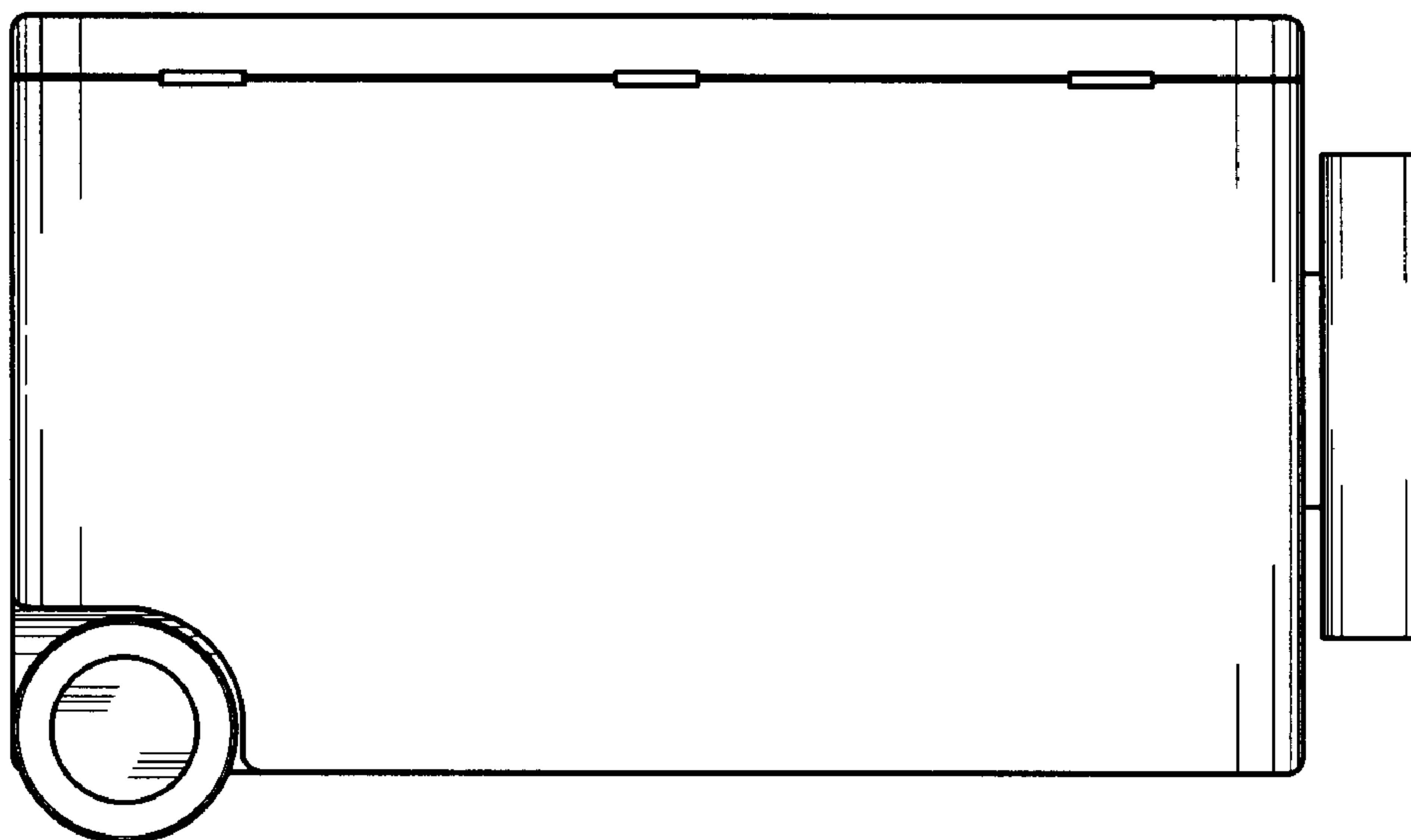


FIG. 5

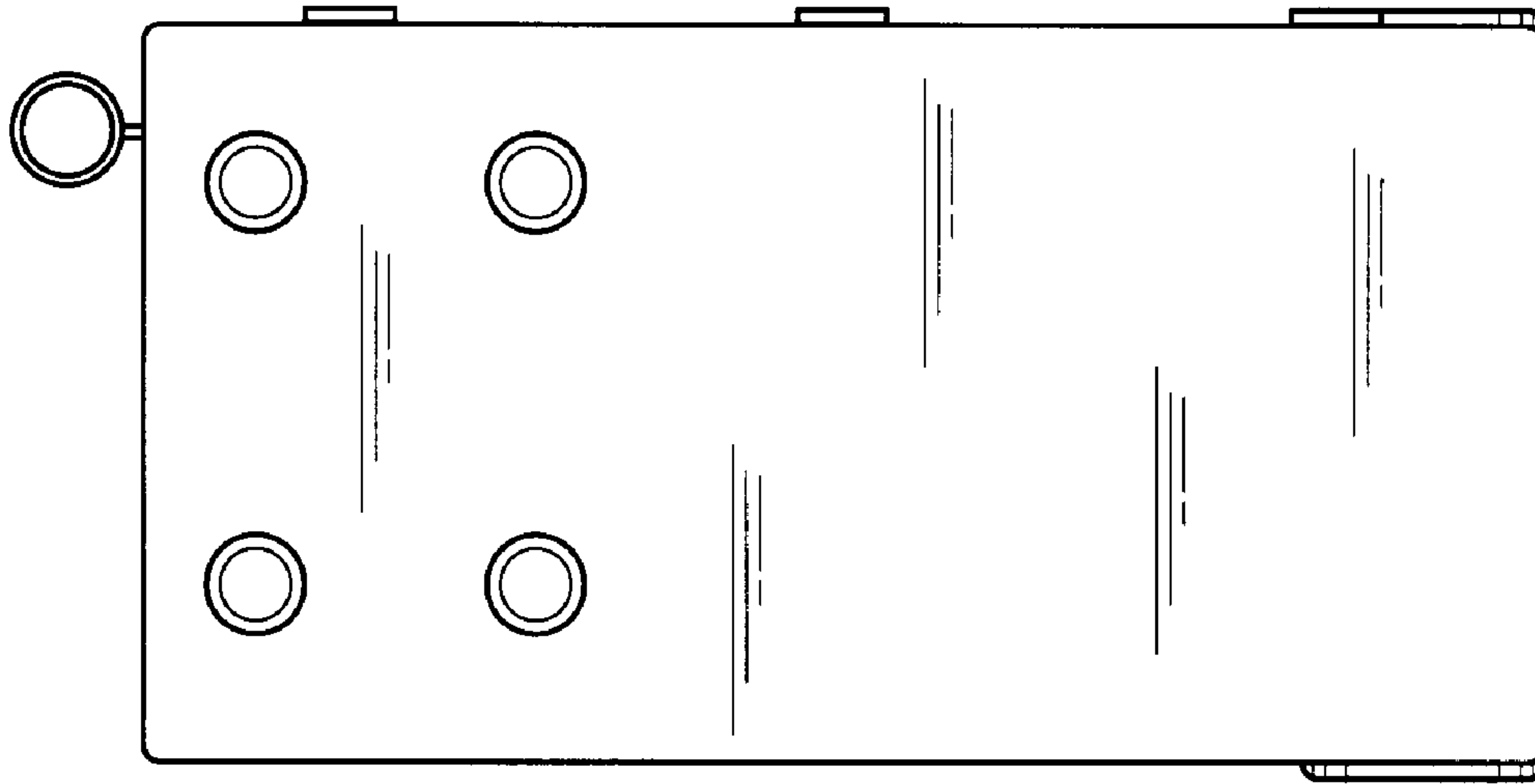


FIG. 6

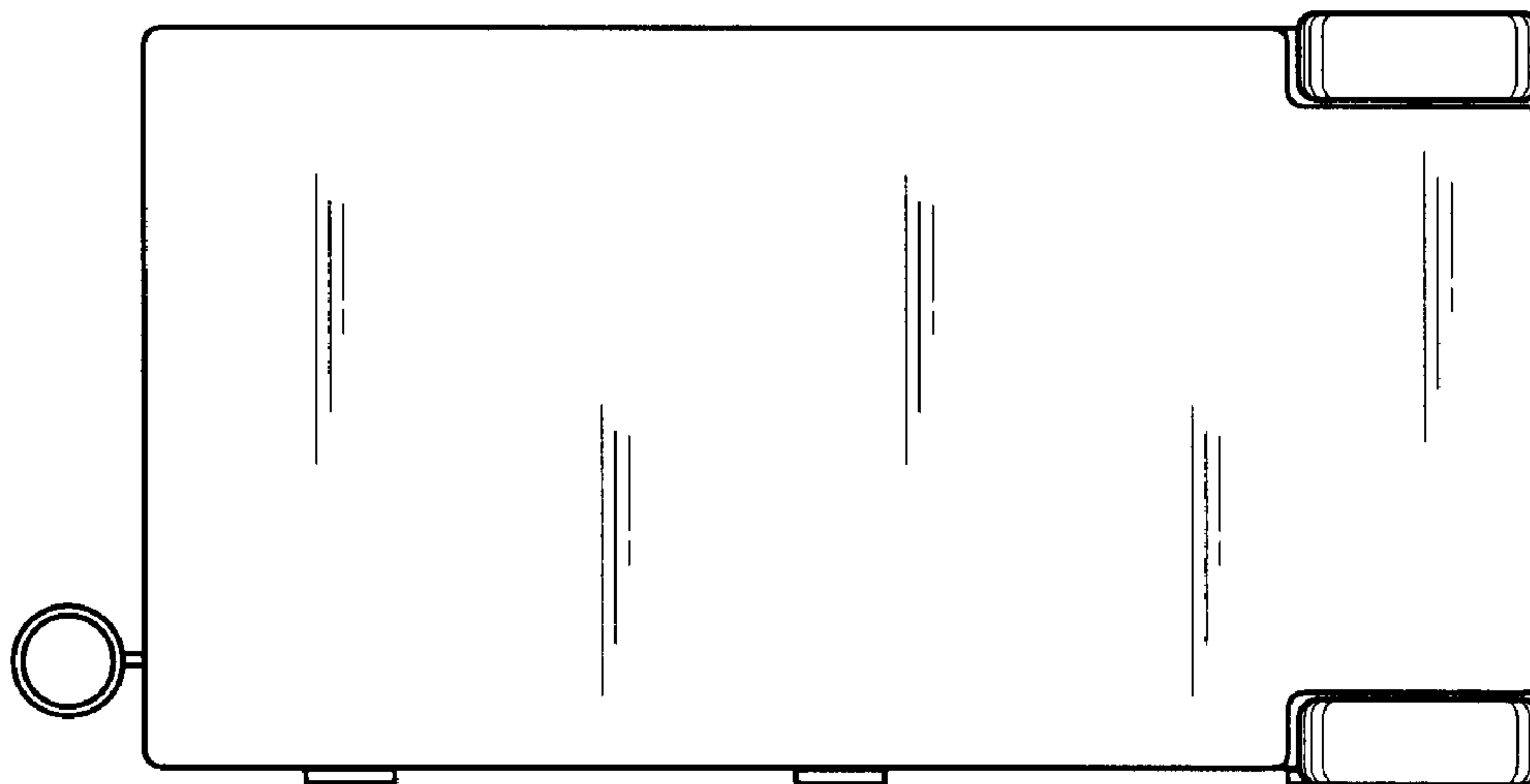


FIG. 7